



Cordless Circular Saw
BHS630 165mm (6-1/2")

Satisfy Professional's Needs



66mm
max. cut depth

DC 165mm handy circular saw with
190mm class cutting capacity.



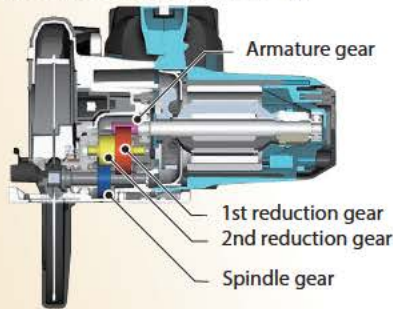


Higher cutting capacity

2 step Gear Reduction System

BHS630 has 190mm class cutting capacity.

2 step gear reduction system contributes for earning more cutting space and gaining enough gear reduction ratio.



Cutting Capacity Comparison

BHS630

66mm



Competitor A

57mm

Competitor B

51mm

High maneuverability achieved by well balanced tool design.

Center of gravity is positioned just under the handle.



Lightweight at only 3.5kg

while maintaining high cutting capacity.

Weight Comparison

BHS630

3.5kg



Competitor A

3.6kg

Competitor B

4.1kg

Lock-off button is conveniently located and easy to use.

Rubberized soft grip



Rear dust exhaust

Dust nozzle is attachable for connecting to vacuum cleaner.



Rigid Aluminum Base

Fine parallel adjustment of base plate to saw blade

Twin LED Job light



Single action rip fence lock



Blower function



Battery BL1830
18V-3.0Ah

Fast Charger
DC18RA
Charging time 22min.

Fast Charger
DC18RC
Charging time 22min.

Charger
DC18SD
Charging time 60min.



Cordless Circular Saw

BHS630 165mm (6-1/2")

441



- Brake
- Dust Collecting
- Built-in Job Light
- Carrying Case

Max cutting capacity	at 0 degrees : 66mm (2-5/8") at 45 degrees : 46mm (1-13/16")
Blade diameter	165mm (6-1/2")
No load speed (rpm)	3,100
Dimensions (L x W x H)	346x220x247mm (13-5/8"x8-5/8"x9-3/4")
Net Weight*	3.5kg (7.7lbs)

Standard Equipment :

Fast Charger, Battery Cartridge, TCT Saw Blade, Hex Wrench, Rip Fence, Dust Nozzle

*weight according to EPTA-Procedure 01/2003 Items of standard equipment and specifications may vary by country or area.

Visit our website for information and tool features :
www.makita.co.nz