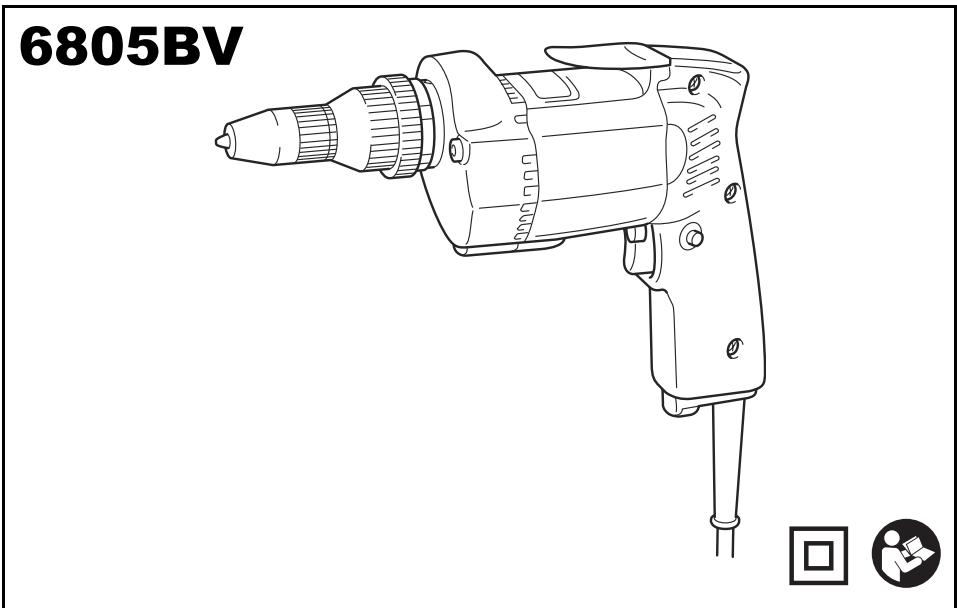
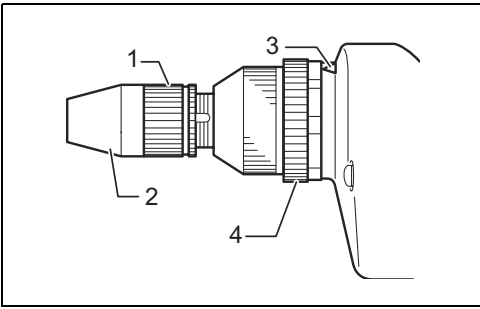




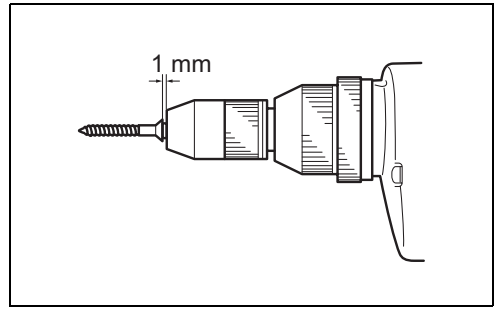
|                       |                     |
|-----------------------|---------------------|
| <b>GB</b> Screwdriver | Instruction manual  |
| <b>ID</b> Obeng       | Petunjuk penggunaan |
| <b>VI</b> Máy bắt vít | Tài liệu hướng dẫn  |
| <b>TH</b> ไขควง       | คู่มือการใช้งาน     |





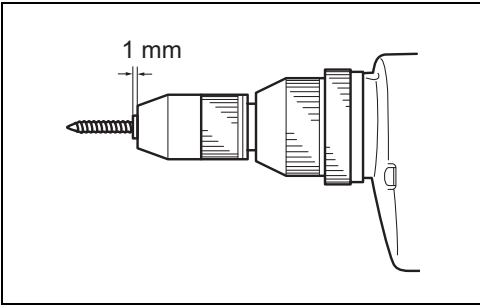
1

004147



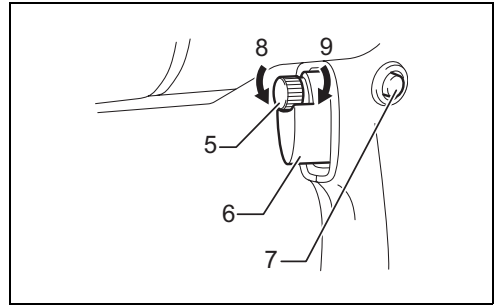
2

004152



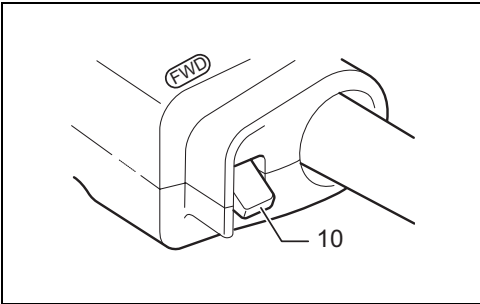
3

004156



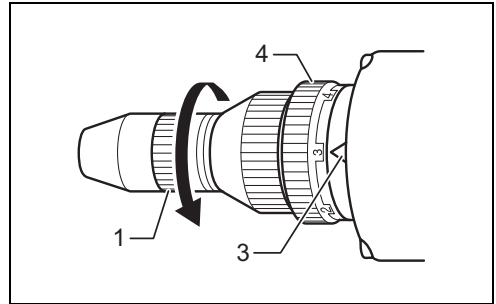
4

004157



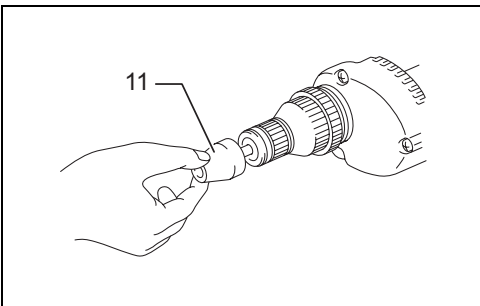
5

004159



6

004163



7

004166

**Explanation of general view**

- |                   |                        |                            |
|-------------------|------------------------|----------------------------|
| 1. Locator        | 5. Speed control screw | 9. High                    |
| 2. Front cap      | 6. Switch trigger      | 10. Reversing switch lever |
| 3. Pointer        | 7. Lock button         | 11. Front cap              |
| 4. Adjusting ring | 8. Low                 |                            |

**SPECIFICATIONS**

|                                    |                     |           |
|------------------------------------|---------------------|-----------|
| Model                              |                     | 6805BV    |
| Capacities                         | Self drilling screw | 6 mm      |
|                                    | Machine screw       | 8 mm      |
|                                    | Wood screw          | 6.2 mm    |
| Bit shank size                     |                     | 1/4" Hex  |
| No load speed (min <sup>-1</sup> ) |                     | 0 - 2,500 |
| Overall length                     |                     | 267 mm    |
| Net weight                         |                     | 1.9 kg    |
| Safety class                       |                     | □/II      |

- Due to our continuing programme of research and development, the specifications herein are subject to change without notice.
- Specifications may differ from country to country.
- Weight according to EPTA-Procedure 01/2003

**Symbols**

END201-5

The following show the symbols used for the equipment. Be sure that you understand their meaning before use.



.... Read instruction manual.



..... DOUBLE INSULATION

ENE033-1

**Intended use**

The tool is intended for screw driving in wood, metal and plastic.

ENF002-2

**Power supply**

The tool should be connected only to a power supply of the same voltage as indicated on the nameplate, and can only be operated on single-phase AC supply. They are double-insulated and can, therefore, also be used from sockets without earth wire.

GEA005-3

**General Power Tool Safety Warnings**

**⚠ WARNING! Read all safety warnings and all instructions.** Failure to follow the warnings and instructions may result in electric shock, fire and/or serious injury.

**Save all warnings and instructions for future reference.**

The term “power tool” in the warnings refers to your mains-operated (corded) power tool or battery-operated (cordless) power tool.

**Work area safety**

1. **Keep work area clean and well lit.** Cluttered or dark areas invite accidents.
2. **Do not operate power tools in explosive atmospheres, such as in the presence of flammable liquids, gases or dust.** Power tools create sparks which may ignite the dust or fumes.
3. **Keep children and bystanders away while operating a power tool.** Distractions can cause you to lose control.

**Electrical safety**

4. **Power tool plugs must match the outlet. Never modify the plug in any way. Do not use any adapter plugs with earthed (grounded) power tools.** Unmodified plugs and matching outlets will reduce risk of electric shock.
5. **Avoid body contact with earthed or grounded surfaces such as pipes, radiators, ranges and refrigerators.** There is an increased risk of electric shock if your body is earthed or grounded.
6. **Do not expose power tools to rain or wet conditions.** Water entering a power tool will increase the risk of electric shock.

7. **Do not abuse the cord. Never use the cord for carrying, pulling or unplugging the power tool. Keep cord away from heat, oil, sharp edges or moving parts.** Damaged or entangled cords increase the risk of electric shock.
8. **When operating a power tool outdoors, use an extension cord suitable for outdoor use.** Use of a cord suitable for outdoor use reduces the risk of electric shock.
9. **If operating a power tool in a damp location is unavoidable, use a residual current device (RCD) protected supply.** Use of an RCD reduces the risk of electric shock.
10. **Use of power supply via a RCD with a rated residual current of 30 mA or less is always recommended.**

#### Personal safety

11. **Stay alert, watch what you are doing and use common sense when operating a power tool. Do not use a power tool while you are tired or under the influence of drugs, alcohol or medication.** A moment of inattention while operating power tools may result in serious personal injury.
12. **Use personal protective equipment. Always wear eye protection.** Protective equipment such as dust mask, non-skid safety shoes, hard hat, or hearing protection used for appropriate conditions will reduce personal injuries.
13. **Prevent unintentional starting. Ensure the switch is in the off-position before connecting to power source and/or battery pack, picking up or carrying the tool.** Carrying power tools with your finger on the switch or energising power tools that have the switch on invites accidents.
14. **Remove any adjusting key or wrench before turning the power tool on.** A wrench or a key left attached to a rotating part of the power tool may result in personal injury.
15. **Do not overreach. Keep proper footing and balance at all times.** This enables better control of the power tool in unexpected situations.
16. **Dress properly. Do not wear loose clothing or jewellery. Keep your hair, clothing, and gloves away from moving parts.** Loose clothes, jewellery or long hair can be caught in moving parts.
17. **If devices are provided for the connection of dust extraction and collection facilities, ensure these are connected and properly used.** Use of dust collection can reduce dust-related hazards.

#### Power tool use and care

18. **Do not force the power tool. Use the correct power tool for your application.** The correct power tool will do the job better and safer at the rate for which it was designed.
19. **Do not use the power tool if the switch does not turn it on and off.** Any power tool that cannot be controlled with the switch is dangerous and must be repaired.
20. **Disconnect the plug from the power source and/or the battery pack from the power tool before making any adjustments, changing accessories, or storing power tools.** Such preventive safety

measures reduce the risk of starting the power tool accidentally.

21. **Store idle power tools out of the reach of children and do not allow persons unfamiliar with the power tool or these instructions to operate the power tool.** Power tools are dangerous in the hands of untrained users.
22. **Maintain power tools. Check for misalignment or binding of moving parts, breakage of parts and any other condition that may affect the power tool's operation. If damaged, have the power tool repaired before use.** Many accidents are caused by poorly maintained power tools.
23. **Keep cutting tools sharp and clean.** Properly maintained cutting tools with sharp cutting edges are less likely to bind and are easier to control.
24. **Use the power tool, accessories and tool bits etc. in accordance with these instructions, taking into account the working conditions and the work to be performed.** Use of the power tool for operations different from those intended could result in a hazardous situation.

#### Service

25. **Have your power tool serviced by a qualified repair person using only identical replacement parts.** This will ensure that the safety of the power tool is maintained.
26. **Follow instruction for lubricating and changing accessories.**
27. **Keep handles dry, clean and free from oil and grease.**

GEB017-4

## SCREWDRIVER SAFETY WARNINGS

1. **Hold power tool by insulated gripping surfaces, when performing an operation where the fastener may contact hidden wiring or its own cord.** Fasteners contacting a "live" wire may make exposed metal parts of the power tool "live" and could give the operator an electric shock.
2. **Always be sure you have a firm footing. Be sure no one is below when using the tool in high locations.**
3. **Hold the tool firmly.**
4. **Keep hands away from rotating parts.**
5. **Do not touch the bit or the workpiece immediately after operation; they may be extremely hot and could burn your skin.**

## SAVE THESE INSTRUCTIONS.

#### WARNING:

**DO NOT let comfort or familiarity with product (gained from repeated use) replace strict adherence to safety rules for the subject product. MISUSE or failure to follow the safety rules stated in this instruction manual may cause serious personal injury.**

# FUNCTIONAL DESCRIPTION

## ⚠ CAUTION:

- Always be sure that the tool is switched off and unplugged before adjusting or checking function on the tool.

## Depth adjustment (Fig. 1, Fig.2 & Fig. 3)

When you wish to drive self drilling screws, etc., adjust the depth as follows. Turn the locator to adjust the depth.

Initially, adjust the locator to create a distance of approximately 1 mm from the tip of the front cap (which works in conjunction with the locator) to the base of the screw head. One full turn of the locator equals 1 mm change in depth.

After adjusting the locator, turn the adjusting ring so that the 6" mark is aligned with the pointer on the gear housing. Drive a trial screw into your material or a piece of duplicate material. If the depth is not suitable for the screw, continue adjusting until the proper depth setting is obtained.

## Switch action (Fig. 4)

### ⚠ CAUTION:

- Before plugging in the tool, always check to see that the switch trigger actuates properly and returns to the "OFF" position when released.

To start the tool, simply pull the switch trigger. Tool speed is increased by increasing pressure on the switch trigger. Release the switch trigger to stop.

For continuous operation, pull the switch trigger and then push in the lock button.

To stop the tool from the locked position, pull the switch trigger fully, then release it.

A speed control screw is provided so that maximum tool speed can be limited (variable). Turn the speed control screw clockwise for higher speed, and counterclockwise for lower speed.

### NOTE:

- Even with the switch on and motor running, the bit will not rotate until you fit the point of the bit in the screw head and apply forward pressure to engage the clutch.

## Reversing switch action (Fig. 5)

### ⚠ CAUTION:

- Always check the direction of rotation before operation.
- Use the reversing switch only after the tool comes to a complete stop. Changing the direction of rotation before the tool stops may damage the tool.

This tool has a reversing switch to change the direction of rotation. Move the reversing switch lever to the ⚙ position for clockwise rotation or the ⚙ position for counterclockwise rotation.

## Adjusting the fastening torque (Fig. 6)

When you wish to drive machine screws, wood screws, hex bolts, etc. with the predetermined torque, adjust the fastening torque as follows.

The fastening torque may be adjusted by turning the adjusting ring. Before turning the adjusting ring, turn the locator in the direction of the arrow as far as it will go without forcing. The torque is increased by turning the adjusting ring in the direction of the arrow and decreased

by turning it in the opposite direction. Align the number 1 on the adjusting ring with the pointer on the gear housing. Drive a trial screw into your material or a piece of duplicate material. If the fastening torque is not suitable for the screw, continue adjusting until the proper torque is obtained.

### ⚠ CAUTION:

- The adjusting ring should be turned only within the numbered range. It should not be forced beyond this range.

# ASSEMBLY

### ⚠ CAUTION:

- Always be sure that the tool is switched off and unplugged before carrying out any work on the tool.

## Installing or removing the bit (Fig. 7)

To remove the bit, first pull the front cap off and then pull the bit out firmly.

To install the bit, insert it into the tool as far as it will go and then replace the front cap.

# OPERATION

Fit the screw on the point of the bit and place the point of the screw on the surface of the workpiece to be fastened. Apply pressure to the tool and start it. Withdraw the tool as soon as the clutch cuts in. Then release the switch trigger.

### ⚠ CAUTION:

- When fitting the screw onto the point of the bit, be careful not to push in on the screw. If the screw is pushed in, the clutch will engage and the screw will rotate suddenly. This could damage a workpiece or cause an injury.
- Use the proper bit for the head of the screw that you wish to use.
- Do not continue unnecessary clutching operation.

### NOTE:

- Make sure that the driver bit is inserted straight in the screw head, or the screw and/or bit may be damaged.
- When driving wood screws, predrill pilot holes to make driving easier and to prevent splitting of the workpiece. See the chart.

| Nominal diameter of wood screw (mm) | Recommended size of pilot hole (mm) |
|-------------------------------------|-------------------------------------|
| 3.1                                 | 2.0                                 |
| 3.5                                 | 2.2                                 |
| 3.8                                 | 2.5                                 |
| 4.5                                 | 2.9                                 |
| 4.8                                 | 3.1                                 |
| 5.1                                 | 3.3                                 |
| 5.5                                 | 3.6                                 |
| 5.8                                 | 3.8                                 |
| 6.2                                 | 4.0                                 |

006403

# MAINTENANCE

## CAUTION:

- Always be sure that the tool is switched off and unplugged before attempting to perform inspection or maintenance.
  - Never use gasoline, benzine, thinner, alcohol or the like. Discoloration, deformation or cracks may result.
- To maintain product SAFETY and RELIABILITY, repairs, carbon brush inspection and replacement, any other maintenance or adjustment should be performed by Makita Authorized or Factory Service Centers, always using Makita replacement parts.

# OPTIONAL ACCESSORIES

## CAUTION:

- These accessories or attachments are recommended for use with your Makita tool specified in this manual. The use of any other accessories or attachments might present a risk of injury to persons. Only use accessory or attachment for its stated purpose.

If you need any assistance for more details regarding these accessories, ask your local Makita Service Center.

- Phillips bit
- Magnetic socket bit
- Front cap
- Steel carrying case

## NOTE:

- Some items in the list may be included in the tool package as standard accessories. They may differ from country to country.

**Penjelasan tampilan keseluruhan**

- |                    |                             |                               |
|--------------------|-----------------------------|-------------------------------|
| 1. Penapat         | 5. Sekrup kontrol kecepatan | 9. Tinggi                     |
| 2. Tutup depan     | 6. Saklar pemacu            | 10. Tuas saklar pembalik arah |
| 3. Penunjuk        | 7. Tombol kunci             | 11. Tutup depan               |
| 4. Cincin penyetel | 8. Rendah                   |                               |

**SPESIFIKASI**

|  |                        |                |
|--|------------------------|----------------|
| Model                                      |                        | 6805BV         |
| Kapasitas                                  | Sekrup menatik sendiri | 6 mm           |
|  | Sekrup mesin           | 8 mm           |
|  | Sekrup kayu            | 6,2 mm         |
| Ukuran kepala tirus                        |                        | Segi-enam 1/4" |
| Kecepatan tanpa beban (min <sup>-1</sup> ) |                        | 0 - 2.500      |
| Panjang keseluruhan                        |                        | 267 mm         |
| Berat bersih                               |                        | 1,9 kg         |
| Kelas keamanan                             |                        | □/II           |

- Karena kesinambungan program penelitian dan pengembangan kami, spesifikasi yang disebutkan di sini dapat berubah tanpa pemberitahuan.
- Spesifikasi dapat berbeda dari satu negara ke negara lainnya.
- Berat menurut Prosedur EPTA 01/2003

END201-5

**Simbol**

Berikut ini adalah simbol-simbol yang digunakan pada peralatan ini. Pastikan Anda mengerti makna masing-masing simbol sebelum menggunakan alat.



..... Baca petunjuk penggunaan.



..... ISOLASI GANDA

**Penggunaan**

Mesin ini digunakan untuk memasang sekrup pada kayu, logam dan plastik.

ENE033-1

ENF002-2

**Pasokan daya**

Mesin harus terhubung dengan pasokan daya listrik yang bervoltase sama dengan yang tertera pada pelat nama, dan hanya dapat dijalankan dengan listrik AC fase tunggal. Mesin diisolasi ganda dan oleh sebab itu dapat dihubungkan dengan soket tanpa arde.

GEA005-3

**Peringatan Keselamatan Umum Mesin Listrik**

**⚠ PERINGATAN! Bacalah semua peringatan keselamatan dan semua petunjuk.** Kelalaian mematuhi peringatan dan petunjuk dapat menyebabkan sengatan listrik, kebakaran dan/atau cedera serius.

**Simpanlah semua peringatan dan petunjuk untuk acuan di masa depan.**

Istilah "mesin listrik" dalam semua peringatan mengacu pada mesin listrik yang dijalankan dengan sumber listrik jala-jala (berkabel) atau baterai (tanpa kabel).

**Keselamatan tempat kerja**

1. **Jaga tempat kerja selalu bersih dan beryangin cukup.** Tempat kerja yang berantakan dan gelap mengundang kecelakaan.
2. **Jangan gunakan mesin listrik dalam lingkungan yang mudah meledak, misalnya jika ada cairan, gas, atau debu yang mudah menyala.** Mesin listrik menimbulkan bunga api yang dapat menyalakan debu atau uap tersebut.
3. **Jauhkan anak-anak dan orang lain saat menggunakan mesin listrik.** Bila perhatian terpecah, anda dapat kehilangan kendali.

**Keamanan kelistrikan**

4. **Steker mesin listrik harus cocok dengan stopkontak. Jangan sekali-kali mengubah steker dengan cara apa pun. Jangan menggunakan steker adaptor dengan mesin listrik berarde (dibumikan).** Steker yang tidak diubah dan stopkontak yang cocok akan mengurangi risiko sengatan listrik.
5. **Hindari sentuhan tubuh dengan permukaan berarde atau yang dibumikan seperti pipa, radiator, kompor, dan kulkas.** Risiko sengatan listrik bertambah jika tubuh Anda terbumikan atau terarde.

6. **Jangan membiarkan mesin listrik kehujaan atau kebasahan.** Air yang masuk ke dalam mesin listrik akan meningkatkan risiko sengatan listrik.
7. **Jangan menyalahgunakan kabel.** **Jangan sekali-kali menggunakan kabel untuk membawa, menarik, atau mencabut mesin listrik dari stopkontak.** Jauhkan kabel dari panas, minyak, tepian tajam, atau bagian yang bergerak. Kabel yang rusak atau kusut memperbesar risiko sengatan listrik.
8. **Bila menggunakan mesin listrik di luar ruangan, gunakan kabel ekstensi yang sesuai untuk penggunaan di luar ruangan.** Penggunaan kabel yang sesuai untuk penggunaan luar ruangan mengurangi risiko sengatan listrik.
9. **Jika mengoperasikan mesin listrik di lokasi lembap tidak terhindarkan, gunakan pasokan daya yang dilindungi peranti imbasan arus (residual current device - RCD).** Penggunaan RCD mengurangi risiko sengatan listrik.
10. **Penggunaan pasokan daya melalui RCD dengan kapasitas arus sisa 30 mA atau kurang selalu dianjurkan.**

#### Keselamatan diri

11. **Jaga kewaspadaan, perhatikan pekerjaan Anda dan gunakan akal sehat bila menggunakan mesin listrik.** **Jangan menggunakan mesin listrik saat Anda lelah atau di bawah pengaruh obat bius, alkohol, atau obat.** Sekejap saja lalai saat menggunakan mesin listrik dapat menyebabkan cedera diri yang serius.
12. **Gunakan alat pelindung diri. Selalu gunakan pelindung mata.** Peralatan pelindung seperti masker debu, sepatu pengaman anti-selip, helm pengaman, atau pelindung telinga yang digunakan untuk kondisi yang sesuai akan mengurangi risiko cedera diri.
13. **Cegah penyalan yang tidak disengaja.** **Pastikan bahwa sakelar berada dalam posisi mati (off) sebelum menghubungkan mesin ke sumber daya dan/atau baterai, atau mengangkat atau membawanya.** Membawa mesin listrik dengan jari Anda pada sakelarnya atau mengalirkan listrik pada mesin listrik yang sakelarnya hidup (on) akan mengundang kecelakaan.
14. **Lepaskan kunci-kunci penyetel sebelum menghidupkan mesin listrik.** Kunci-kunci yang masih terpasang pada bagian mesin listrik yang berputar dapat menyebabkan cedera.
15. **Jangan meraih terlalu jauh. Jagalah pijakan dan keseimbangan sepanjang waktu.** Hal ini memungkinkan kendali yang lebih baik atas mesin listrik dalam situasi yang tidak diharapkan.
16. **Kenakan pakaian dengan baik.** **Jangan memakai pakaian yang kedodoran atau perhiasan.** **Jaga jarak antara rambut, pakaian, dan sarung tangan Anda dengan bagian mesin yang bergerak.** Pakaian kedodoran, perhiasan, atau rambut panjang dapat tersangkut pada bagian yang bergerak.
17. **Jika tersedia fasilitas untuk menghisap dan mengumpulkan debu, pastikan fasilitas tersebut terhubung listrik dan digunakan dengan baik.** Penggunaan pembersih debu dapat mengurangi bahaya yang terkait dengan debu.

#### Penggunaan dan pemeliharaan mesin listrik

18. **Jangan memaksa mesin listrik.** **Gunakan mesin listrik yang tepat untuk keperluan Anda.** Mesin listrik yang tepat akan menuntaskan pekerjaan dengan lebih baik dan aman pada kecepatan sesuai rancangannya.
19. **Jangan gunakan mesin listrik jika sakelar tidak dapat menyala dan mematakannya.** Mesin listrik yang tidak dapat dikendalikan dengan sakelarnya adalah berbahaya dan harus diperbaiki.
20. **Cabut steker dari sumber listrik dan/atau baterai dari mesin listrik sebelum melakukan penyetelan, penggantian aksesoris, atau menyimpan mesin listrik.** Langkah keselamatan preventif tersebut mengurangi risiko hidupnya mesin secara tak sengaja.
21. **Simpan mesin listrik jauh dari jangkauan anak-anak dan jangan biarkan orang yang tidak paham mengenai mesin listrik tersebut atau petunjuk ini menggunakan mesin listrik.** Mesin listrik sangat berbahaya di tangan pengguna yang tak terlatih.
22. **Rawatlah mesin listrik.** **Periksa apakah ada bagian bergerak yang tidak lurus atau macet, bagian yang pecah dan kondisi lain yang dapat mempengaruhi penggunaan mesin listrik.** Jika rusak, perbaiki dahulu mesin listrik sebelum digunakan. Banyak kecelakaan disebabkan oleh kurangnya pemeliharaan mesin listrik.
23. **Jaga agar mesin pemotong tetap tajam dan bersih.** Mesin pemotong yang terawat baik dengan mata pemotong yang tajam tidak mudah macet dan lebih mudah dikendalikan.
24. **Gunakan mesin listrik, aksesoris, dan mata mesin, dll. sesuai dengan petunjuk ini, dengan memperhitungkan kondisi kerja dan jenis pekerjaan yang dilakukan.** Penggunaan mesin listrik untuk penggunaan yang lain dari peruntukan dapat menimbulkan situasi berbahaya.

#### Servis

25. **Berikan mesin listrik untuk diperbaiki hanya kepada oleh teknisi yang berkualifikasi dengan menggunakan hanya suku cadang pengganti yang serupa.** Hal ini akan menjamin terjaganya keamanan mesin listrik.
26. **Patuhi petunjuk pelumasan dan penggantian aksesoris.**
27. **Jagalah agar gagang kering, bersih, dan bebas dari minyak dan gemuk.**

GEB017-4

## PERINGATAN KESELAMATAN OBENG LISTRIK

1. **Pegang mesin listrik pada permukaan genggam yang terisolasi saat melakukan pekerjaan bila pengencang mungkin bersentuhan dengan kawat tersembunyi atau kabelnya sendiri.** Pengencang yang menyentuh kawat "hidup" dapat menyebabkan bagian logam pada mesin teraliri arus listrik dan menyengat pengguna.
2. **Selalu pastikan Anda berdiri di atas alas yang kuat.** **Pastikan tidak ada orang di bawahnya bila Anda menggunakan mesin di tempat tinggi.**



3. Pegang mesin kuat-kuat.
4. Jauhkan tangan dari bagian yang berputar.
5. Jangan menyentuh mata mesin atau benda kerja segera setelah pengoperasian; suhunya mungkin masih sangat panas dan dapat membakar kulit Anda.

## SIMPAN PETUNJUK INI.

### ⚠ PERINGATAN:

**JANGAN** biarkan kenyamanan atau terbiasanya Anda dengan produk (karena penggunaan berulang) menggantikan kepatuhan yang ketat terhadap aturan keselamatan untuk produk yang terkait. **PENYALAHGUNAAN** atau kelalaian mematuhi kaidah keselamatan yang tertera dalam petunjuk ini dapat menyebabkan cedera badan serius.

## DESKRIPSI FUNGSI

### ⚠ PERHATIAN:

- Selalu pastikan bahwa mesin dalam keadaan mati dan steker tercabut sebelum menyetel atau memeriksa kerja mesin.

### Penyetelan kedalaman (Gb. 1, Gb. 2 & Gb. 3)

Ketika Anda ingin memasang sekrup menakik sendiri, dll., setel kedalaman sebagaimana berikut. Putar penepat untuk menyetel kedalaman.

Pertama-tama, setel penepat untuk menghasilkan jarak kira-kira 1 mm dari ujung tutup depan (yang bekerja bersama dengan penepat) ke dudukan kepala sekrup. Satu putaran penuh penepat sama dengan mengubah kedalaman sebesar 1 mm.

Setelah menyetel penepat, putar cincin penyetel sampai tanda 6 " sejajar dengan penunjuk pada rumahan gir.

Pasang sekrup percobaan pada bahan atau potongan bahan lain. Jika kedalaman tidak cocok dengan sekrupnya, lanjutkan penyetelan sampai didapatkan setelan kedalaman yang tepat.

### Kerja saklar (Gb. 4)

### ⚠ PERHATIAN:

- Sebelum memasukkan steker, selalu periksa apakah picu saklar berfungsi dengan baik dan kembali ke posisi "OFF" saat dilepas.

Untuk menjalankan mesin, cukup tarik picu saklarnya. Kecepatan mesin akan meningkat dengan menambah tekanan pada picu saklar. Lepaskan picu saklar untuk berhenti.

Untuk penggunaan terus menerus, tarik picu saklar lalu tekan tombol kunci.

Untuk membebaskan posisi terkunci, tarik picu saklar sampai penuh, lalu lepaskan.

Sekrup kontrol kecepatan tersedia agar kecepatan maksimum mesin bisa dibatasi (variabel). Putar sekrup kontrol kecepatan searah jarum jam untuk kecepatan yang lebih tinggi, dan berlawanan arah jarum jam untuk kecepatan yang lebih rendah.

### CATATAN:



- Walaupun kondisinya menyala dan motor dalam keadaan hidup, mata mesin tidak akan berputar

sampai Anda menempatkan ujung mata mesin pada kepala sekrup dan menekan maju mesin untuk menjalankan kopeling.

## Kerja saklar pembalik arah (Gb. 5)

### ⚠ PERHATIAN:

- Selalu periksa arah putaran sebelum penggunaan.
- Gunakan saklar pembalik arah hanya setelah mesin benar-benar berhenti. Mengubah arah putaran sebelum mesin berhenti dapat merusak mesin.

Mesin ini memiliki saklar pembalik arah untuk mengubah arah putaran. Gerakkan tuas saklar pembalik arah ke posisi  untuk putaran searah jarum jam atau posisi  untuk putaran berlawanan arah jarum jam.

## Menyetel torsi pengencangan (Gb. 6)

Ketika Anda ingin memasang sekrup mesin, sekrup kayu, baut kepala segi-enam, dll. dengan torsi tertentu, setel torsi pengencangan sebagaimana berikut.

Torsi pengencangan bisa disetel dengan memutar cincin penyetel. Sebelum memutar cincin penyetel, putar penepat sesuai arah panah sejauh mungkin itu akan pergi tanpa dipaksa. Torsi bertambah dengan memutar cincin penyetel sesuai arah panah dan berkurang dengan memutarnya ke arah yang berlawanan. Seajarkan angka 1 pada cincin penyetel dengan penunjuk pada rumahan gir. Pasang sekrup percobaan pada bahan atau potongan bahan lain. Jika torsi pengencangan tidak cocok dengan sekrupnya, lanjutkan penyetelan sampai didapatkan torsi yang tepat.

### ⚠ PERHATIAN:

- Cincin penyetel harus diputar hanya dalam rentang berangka. Tidak boleh dipaksa melebihi rentang ini.

## PERAKITAN

### ⚠ PERHATIAN:

- Selalu pastikan bahwa mesin dalam keadaan mati dan steker tercabut sebelum melakukan pekerjaan apapun pada mesin.

## Memasang atau melepas mata mesin (Gb. 7)

Untuk melepas mata mesin, pertama-tama, lepas tutup depan dan kemudian cabut mata mesin kuat-kuat.

Untuk memasang mata mesin, masukkan ke dalam mesin sejauh mungkin dan kemudian ganti tutup depan.

## PENGGUNAAN

Pasang sekrup pada ujung mata mesin dan posisikan ujung sekrup pada permukaan benda kerja yang akan dikencangkan. Beri tekanan pada mesin lalu nyalakan.

Tarik mesin segera setelah kopeling memotong.

Kemudian lepas picu saklar.

### ⚠ PERHATIAN:

- Ketika memasang sekrup pada ujung mata mesin, hati-hati jangan sampai mendorong sekrup ke dalam. Jika sekrup terdorong ke dalam, kopeling akan bekerja dan sekrup akan berputar secara tiba-tiba. Hal ini bisa merusak benda kerja atau menyebabkan luka.

- Gunakan mata mesin yang sesuai untuk kepala sekrup yang ingin Anda gunakan.
- Jangan melakukan pengoperasian kopeling yang tidak perlu.

**CATATAN:**

- Pastikan bahwa mata obeng dimasukkan lurus terhadap kepala sekrup, atau sekrup dan/atau mata bor bisa rusak.
- Ketika memasang sekrup kayu, lakukan pengeboran awal untuk membuat lubang pengarah agar mempermudah pemasangan sekrup dan untuk mencegah pecahnya benda kerja. Lihat tabel.

| Diameter nominal sekrup kayu (mm) | Ukuran lubang pengarah yang dianjurkan (mm) |
|-----------------------------------|---|
| 3,1                               | 2,0   |
| 3,5                               | 2,2   |
| 3,8                               | 2,5   |
| 4,5                               | 2,9   |
| 4,8                               | 3,1   |
| 5,1                               | 3,3   |
| 5,5                               | 3,6   |
| 5,8                               | 3,8   |
| 6,2                               | 4,0   |

006403

## PERAWATAN

**⚠ PERHATIAN:**

- Selalu pastikan bahwa mesin dimatikan dan steker dicabut sebelum melakukan pemeriksaan atau perawatan.
- Jangan sekali-kali menggunakan bensin, tiner, alkohol, atau bahan sejenisnya. Penggunaan bahan demikian dapat menyebabkan perubahan warna, perubahan bentuk atau timbulnya retakan.

Untuk menjaga KEAMANAN dan KEANDALAN mesin, perbaikan, pemeriksaan dan penggantian sikat karbon, serta perawatan atau penyetelan lain harus dilakukan oleh Pusat Layanan Resmi atau Pabrik Makita, selalu gunakan suku cadang pengganti buatan Makita.

## PILIHAN AKSESORI

**⚠ PERHATIAN:**

- Dianjurkan untuk menggunakan aksesoris atau perangkat tambahan ini dengan mesin Makita Anda yang ditentukan dalam petunjuk ini. Penggunaan aksesoris atau perangkat tambahan lain bisa menyebabkan risiko cedera pada manusia. Hanya gunakan aksesoris atau perangkat tambahan sesuai dengan peruntukannya.

Jika Anda memerlukan bantuan lebih rinci berkenaan dengan aksesoris ini, tanyakan pada Pusat Layanan Makita terdekat.

- Mata mesin Phillips
- Mata mesin soket magnetik
- Tutup depan
- Tas jinjing baja

**CATATAN:**

- Beberapa item dalam daftar tersebut mungkin sudah termasuk dalam paket mesin sebagai aksesoris standar. Hal tersebut dapat berbeda dari satu negara ke negara lainnya.

# TIẾNG VIỆT

## Giải thích về hình vẽ tổng thể

- |                    |                           |                            |
|--------------------|---------------------------|----------------------------|
| 1. Đầu định vị     | 5. Vít điều khiển tốc độ  | 9. Cao                     |
| 2. Nắp trước       | 6. Cần khởi động công tắc | 10. Cần công tắc đảo chiều |
| 3. Vạch chuẩn      | 7. Núm khóa               | 11. Nắp trước              |
| 4. Vòng điều chỉnh | 8. Thấp                   |                            |

## THÔNG SỐ KỸ THUẬT

|  |              |               |
|--|--------------|---------------|
| Kiểu                                   |              | 6805BV        |
| Công suất                              | Vít tự khoan | 6 mm          |
|  | Vít máy      | 8 mm          |
|  | Vít bắt gỗ   | 6,2 mm        |
| Kích cỡ đầu gắn mũi                    |              | Lục giác 1/4" |
| Tốc độ không tải (phút <sup>-1</sup> ) |              | 0 - 2.500     |
| Chiều dài tổng thể                     |              | 267 mm        |
| Trọng lượng tịnh                       |              | 1,9 kg        |
| Cấp độ an toàn                         |              | □/II          |

- Do chương trình nghiên cứu và phát triển liên tục của chúng tôi nên các thông số kỹ thuật trong đây có thể thay đổi mà không cần thông báo trước.
- Các thông số kỹ thuật có thể thay đổi tùy theo từng quốc gia.
- Trọng lượng tùy theo Quy trình EPTA tháng 01/2003

END201-5

### Ký hiệu

Phần dưới đây cho biết các ký hiệu được dùng cho thiết bị. Đảm bảo rằng bạn hiểu rõ ý nghĩa của các ký hiệu này trước khi sử dụng.



..... Đọc tài liệu hướng dẫn.



..... CÁCH ĐIỆN KÉP

ENE033-1

### Mục đích sử dụng

Dụng cụ này dùng để bắt vít vào gỗ, kim loại và nhựa.

ENF002-2

### Nguồn cấp điện

Dụng cụ này chỉ được nối với nguồn cấp điện có điện áp giống như đã chỉ ra trên biển tên và chỉ có thể được vận hành trên nguồn điện AC một pha. Chúng được cách điện hai lớp và do đó cũng có thể được sử dụng từ các ổ cắm điện không có dây tiếp đất.

GEA005-3

## Cảnh báo An toàn Chung dành cho Dụng cụ Máy

**⚠ CẢNH BÁO!** Đọc tất cả các cảnh báo an toàn và hướng dẫn. Việc không tuân theo các cảnh báo và hướng dẫn có thể dẫn đến điện giật, hỏa hoạn và/hoặc thương tích nghiêm trọng.

## Lưu giữ tất cả cảnh báo và hướng dẫn để tham khảo sau này.

Thuật ngữ “dụng cụ máy” trong các cảnh báo đề cập đến dụng cụ máy (có dây) được vận hành bằng nguồn điện chính hoặc dụng cụ máy (không dây) được vận hành bằng pin của bạn.

### An toàn tại nơi làm việc

- Giữ nơi làm việc sạch sẽ và có đủ ánh sáng.** Nơi làm việc bừa bộn hoặc tối thường dễ gây ra tai nạn.
- Không vận hành dụng cụ máy trong môi trường cháy nổ, ví dụ như môi trường có sự hiện diện của các chất lỏng, khí hoặc bụi dễ cháy.** Các dụng cụ máy tạo tia lửa điện có thể làm bụi hoặc khí bốc cháy.
- Giữ trẻ em và người ngoài tránh xa nơi làm việc khi đang vận hành dụng cụ máy.** Sự xao lãng có thể khiến bạn mất khả năng kiểm soát.

### An toàn về điện

- Phích cắm của dụng cụ máy phải khớp với ổ cắm. Không bao giờ được sửa đổi phích cắm theo bất kỳ cách nào. Không sử dụng bất kỳ phích chuyển đổi nào với các dụng cụ máy được nối đất (tiếp đất).** Các phích cắm còn nguyên vẹn và ổ cắm phù hợp sẽ giảm nguy cơ điện giật.
- Tránh để cơ thể tiếp xúc với các bề mặt nối đất hoặc tiếp đất như đường ống, bộ tản nhiệt, bếp ga và tủ lạnh.** Nguy cơ bị điện giật sẽ tăng lên nếu cơ thể bạn được nối đất hoặc tiếp đất.
- Không để dụng cụ máy tiếp xúc với mưa hoặc trong điều kiện ẩm ướt.** Nước lọt vào dụng cụ máy sẽ làm tăng nguy cơ điện giật.
- Không lạm dụng dây. Không bao giờ sử dụng dây để mang, kéo hoặc tháo phích cắm dụng cụ máy.**

Giữ dây tránh xa nguồn nhiệt, dầu, các mép sắc hoặc các bộ phận chuyển động. Dây bị hỏng hoặc bị rối sẽ làm tăng nguy cơ điện giật.

8. **Khi vận hành dụng cụ máy ngoài trời, hãy sử dụng dây kéo dài phù hợp cho việc sử dụng ngoài trời.** Việc dùng dây phù hợp cho việc sử dụng ngoài trời sẽ giảm nguy cơ điện giật.
9. **Nếu bắt buộc phải vận hành dụng cụ máy ở nơi ẩm ướt, hãy sử dụng nguồn cấp điện được bảo vệ bằng thiết bị ngắt dòng điện rò (RCD).** Việc sử dụng RCD sẽ giảm nguy cơ điện giật.
10. **Chúng tôi luôn khuyến bạn sử dụng nguồn cấp điện qua thiết bị RCD có thể ngắt dòng điện dư định mức 30 mA hoặc thấp hơn.**

#### **An toàn cá nhân**

11. **Luôn tinh táo, quan sát những việc bạn đang làm và sử dụng những phán đoán theo kinh nghiệm khi vận hành dụng cụ máy. Không sử dụng dụng cụ máy khi bạn đang mệt mỏi hoặc chịu ảnh hưởng của ma túy, rượu hay thuốc.** Chỉ một khoảnh khắc không tập trung khi đang vận hành dụng cụ máy cũng có thể dẫn đến thương tích cá nhân nghiêm trọng.
12. **Sử dụng thiết bị bảo hộ cá nhân. Luôn đeo thiết bị bảo vệ mắt.** Các thiết bị bảo hộ như mặt nạ chống bụi, giày an toàn chống trượt, mũ bảo hộ hay thiết bị bảo vệ thính giác được sử dụng trong các điều kiện thích hợp sẽ giúp giảm thương tích cá nhân.
13. **Tránh vô tình khởi động dụng cụ máy. Đảm bảo công tắc ở vị trí off (tắt) trước khi nối nguồn điện và/hoặc bộ pin, cầm hoặc mang dụng cụ máy.** Việc mang dụng cụ máy khi đang đặt ngón tay ở vị trí công tắc hoặc cấp điện cho dụng cụ máy đang bật thường dễ gây ra tai nạn.
14. **Tháo mọi khoá hoặc chia vận điều chỉnh trước khi bật dụng cụ máy.** Việc chia vận hoặc khoá vẫn còn gắn vào bộ phận quay của dụng cụ máy có thể dẫn đến thương tích cá nhân.
15. **Không với quá cao. Luôn giữ thăng bằng tốt và có chỗ để chân phù hợp.** Điều này cho phép điều khiển dụng cụ máy tốt hơn trong những tình huống bất ngờ.
16. **Ăn mặc phù hợp. Không mặc quần áo rộng hay đeo đồ trang sức. Giữ tóc, quần áo và găng tay tránh xa các bộ phận chuyển động.** Quần áo rộng, đồ trang sức hay tóc dài có thể mắc vào các bộ phận chuyển động.
17. **Nếu các thiết bị được cung cấp để kết nối các thiết bị thu gom và hút bụi, hãy đảm bảo chúng được kết nối và sử dụng hợp lý.** Việc sử dụng thiết bị thu gom bụi có thể làm giảm những mối nguy hiểm liên quan đến bụi.

#### **Sử dụng và bảo quản dụng cụ máy**

18. **Không dùng lực đối với dụng cụ máy. Sử dụng đúng dụng cụ máy cho công việc của bạn.** Sử dụng đúng dụng cụ máy sẽ giúp thực hiện công việc tốt hơn và an toàn hơn theo giá trị định mức được thiết kế của dụng cụ máy đó.
19. **Không sử dụng dụng cụ máy nếu công tắc không bật và tắt được dụng cụ máy đó.** Mọi dụng cụ máy không thể điều khiển được bằng công tắc đều rất nguy hiểm và cần được sửa chữa.
20. **Rút phích cắm ra khỏi nguồn điện và/hoặc ngắt kết nối bộ pin khỏi dụng cụ máy trước khi thực**

hiện bất kỳ công việc điều chỉnh, thay đổi phụ tùng hay cất giữ dụng cụ máy nào. Những biện pháp an toàn phòng ngừa này sẽ giảm nguy cơ vô tình khởi động vô tình dụng cụ máy.

21. **Cất giữ các dụng cụ máy không sử dụng ngoài tầm với của trẻ em và không cho bất kỳ người nào không có hiểu biết về dụng cụ máy hoặc các hướng dẫn này vận hành dụng cụ máy.** Dụng cụ máy sẽ rất nguy hiểm nếu được sử dụng bởi những người dùng chưa qua đào tạo.
22. **Bảo quản dụng cụ máy. Kiểm tra tình trạng lệch trục hoặc bó kẹt của các bộ phận chuyển động, hiện tượng nứt vỡ của các bộ phận và mọi tình trạng khác mà có thể ảnh hưởng đến hoạt động của dụng cụ máy. Nếu có hỏng hóc, hãy sửa chữa dụng cụ máy trước khi sử dụng.** Nhiều tai nạn xảy ra là do không bảo quản tốt dụng cụ máy.
23. **Luôn giữ cho dụng cụ cất được sắc bén và sạch sẽ.** Những dụng cụ cất được bảo quản tốt có mép cắt sắc sẽ ít bị kẹt hơn và dễ điều khiển hơn.
24. **Sử dụng dụng cụ máy, phụ tùng và đầu dụng cụ cắt, v.v... theo các hướng dẫn này, có tính đến điều kiện làm việc và công việc được thực hiện.** Việc sử dụng dụng cụ máy cho các công việc khác với công việc dự định có thể gây nguy hiểm.

#### **Bảo dưỡng**

25. **Đề nghị viên sửa chữa đủ trình độ bảo dưỡng dụng cụ máy của bạn và chỉ sử dụng các bộ phận thay thế đồng nhất.** Việc này sẽ đảm bảo duy trì được độ an toàn của dụng cụ máy.
26. **Tuân theo hướng dẫn dành cho việc bôi trơn và thay phụ tùng.**
27. **Giữ tay cầm khô, sạch, không dính dầu và mỡ.**

GEB017-4

## **CẢNH BÁO AN TOÀN ĐỐI VỚI SÚNG BẮN VÍT**

1. **Cầm dụng cụ máy bằng bề mặt kẹp cách điện khi thực hiện một thao tác trong đó bộ phận xoay vận có thể tiếp xúc với dây dẫn kín hoặc dây của chính nó.** Bộ phận kẹp tiếp xúc với dây dẫn "có điện" có thể khiến các bộ phận kim loại bị hở của dụng cụ máy "có điện" và làm cho người vận hành bị điện giật.
2. **Luôn đảm bảo bạn có chỗ đặt chân vững chắc. Đảm bảo rằng không có ai ở bên dưới khi sử dụng dụng cụ ở trên cao.**
3. **Cầm chắc dụng cụ.**
4. **Giữ tay tránh xa các bộ phận quay.**
5. **Không chạm vào mũi khoan hay vật gia công ngay sau khi vận hành; chúng có thể rất nóng và có thể gây bỏng da.**

## **LƯU GIỮ CÁC HƯỚNG DẪN NÀY.**

### **⚠ CẢNH BÁO:**

**KHÔNG** được để sự thoải mái hay quen thuộc với sản phẩm (có được do sử dụng nhiều lần) thay thế việc tuân thủ nghiêm ngặt các quy định về an toàn dành cho sản phẩm này. **VIỆC DÙNG SAI** hoặc không tuân theo các quy định về an toàn được nêu trong tài liệu hướng dẫn này có thể dẫn đến thương tích cá nhân nghiêm trọng.

# MÔ TẢ CHỨC NĂNG

## ⚠ CẢN TRỌNG:

- Phải luôn đảm bảo rằng dụng cụ đã được tắt điện và ngắt kết nối trước khi chỉnh sửa hoặc kiểm tra chức năng của dụng cụ.

## Điều chỉnh chiều sâu (Hình 1, Hình 2 & Hình 3)

Khi bạn muốn bắt các vít tự khoan, v.v... hãy điều chỉnh độ sâu như sau. Xoay đầu định vị để điều chỉnh độ sâu.

Ban đầu, hãy điều chỉnh đầu định vị để tạo khoảng cách xấp xỉ 1 mm từ đỉnh nắp trước (phần làm việc cùng với đầu định vị) đến phần chân đầu ốc vít. Xoay tròn một vòng đầu định vị tương đương với thay đổi 1 mm chiều sâu.

Sau khi điều chỉnh đầu định vị, xoay vòng điều chỉnh sao cho dấu hiệu "G" được căn thẳng với vạch chuẩn trên vỏ hộp số. Khoan thử một vít vào vật liệu hoặc một miếng vật liệu mẫu. Nếu chiều sâu không phù hợp với ốc vít đó, hãy tiếp tục điều chỉnh cho đến khi nào có được vị trí chiều sâu phù hợp.

## Hoạt động công tắc (Hình 4)

### ⚠ CẢN TRỌNG:

- Trước khi cắm điện vào dụng cụ, luôn luôn kiểm tra xem cần khởi động công tắc có hoạt động bình thường hay không và trả về vị trí "OFF" (TẮT) khi nhả ra.

Để khởi động dụng cụ, chỉ cần kéo cần khởi động công tắc. Tốc độ dụng cụ được giảm xuống bằng cách tăng lực ép lên cần khởi động công tắc. Nhả cần khởi động công tắc ra để dừng.

Để tiếp tục vận hành, hãy kéo cần khởi động công tắc và sau đó nhấn vào nút khóa.

Để dừng dụng cụ từ vị trí đã khóa, hãy kéo cần khởi động công tắc hết mức, sau đó nhả ra.

Máy có một vít điều khiển tốc độ sao cho tốc độ dụng cụ lớn nhất có thể được giới hạn (biến đổi). Xoay vít điều khiển tốc độ theo chiều kim đồng hồ để có tốc độ cao hơn và ngược chiều kim đồng hồ để có tốc độ thấp hơn.



### LƯU Ý:

- Ngay cả khi công tắc đang bật và motor đang chạy, đầu mũi cũng sẽ không quay cho đến khi nào bạn khớp đỉnh đầu mũi vào đầu vít và nhấn tới nhẹ để gài ly hợp.

## Hoạt động công tắc đảo chiều (Hình 5)

### ⚠ CẢN TRỌNG:

- Luôn luôn kiểm tra hướng xoay trước khi vận hành.
- Chỉ sử dụng công tắc đảo chiều sau khi dụng cụ đã dừng hoàn toàn. Việc thay đổi hướng xoay trước khi dụng cụ dừng có thể làm hỏng dụng cụ.

Dụng cụ này có một công tắc đảo chiều để thay đổi chiều xoay. Di chuyển cần gạt đảo chiều sang vị trí  để xoay theo chiều kim đồng hồ hoặc vị trí  để xoay ngược chiều kim đồng hồ.

## Điều chỉnh lực vận xiết (Hình 6)

Khi bạn muốn bắt các vít máy, vít bắt gỗ, bu-lông lục giác, v.v... với lực vận xác định sẵn, hãy điều chỉnh lực vận xiết như sau.

Lực vận xiết có thể được điều chỉnh bằng cách xoay vòng điều chỉnh. Trước khi xoay vòng điều chỉnh, hãy xoay đầu định vị theo hướng mũi tên để có thể mà không

dùng lực mạnh. Lực xoay được tăng lên bằng các xoay vòng điều chỉnh theo chiều mũi tên và được giảm xuống bằng cách xoay theo chiều ngược lại. Căn chỉnh số 1 trên vòng điều chỉnh với vạch chuẩn trên vỏ hộp số. Khoan thử một vít vào vật liệu hoặc một miếng vật liệu mẫu. Nếu lực vận xiết không phù hợp với ốc vít đó, hãy tiếp tục điều chỉnh cho đến khi nào có được lực phù hợp.

### ⚠ CẢN TRỌNG:

- Vòng điều chỉnh chỉ được phép xoay trong phạm vi được đánh số. Không được *It should not be forced beyond this range.*

## LẮP RÁP

### ⚠ CẢN TRỌNG:

- Luôn luôn đảm bảo rằng dụng cụ đã được tắt và tháo phích cắm trước khi dùng dụng cụ thực hiện bất cứ công việc nào.

## Lắp hoặc tháo đầu mũi (Hình 7)

Để tháo đầu mũi ra, đầu tiên kéo nắp trước ra khỏi và sau đó kéo mạnh đầu mũi ra ngoài.

Để gắn đầu mũi vào, hãy lắp nó vào trong dụng cụ hết mức có thể và sau đó thay nắp trước.

## VẬN HÀNH

Gắn vít trên điểm đầu mũi và đặt điểm đầu vít lên bề mặt gia công cần được gắn chặt. Nhấn dụng cụ và bắt đầu. Rút dụng cụ ra khi vừa ngắt ly hợp. Sau đó nhả cần khởi động công tắc.

### ⚠ CẢN TRỌNG:

- Khi gắn khớp vít lên đỉnh đầu mũi, cẩn thận không đẩy vào vít. Nếu vít bị đẩy vào, khớp ly hợp sẽ gài và vít sẽ quay bất thành linh. Điều này có thể gây hư hỏng vật gia công hoặc gây thương tích.
- Sử dụng đúng loại đầu mũi vít dành cho ốc vít mà bạn muốn dùng.
- Không được tiếp tục thực hiện thao tác ly hợp không cần thiết.

### LƯU Ý:

- Đảm bảo rằng mũi vận được lắp thẳng đứng vào đầu vít, nếu không vít và/hoặc mũi vận có thể bị hư hỏng.
- Khi vận các vít bắt gỗ, hãy khoan trước các lỗ định hướng để giúp bắt vít dễ dàng hơn và ngăn vật gia công bị chia tách. Xem sơ đồ.

| Đường kính danh định của vít bắt gỗ (mm) | Kích thước khuyến cáo của lỗ khoan dẫn (mm) |
|--|---|
| 3,1                                      | 2,0   |
| 3,5                                      | 2,2   |
| 3,8                                      | 2,5   |
| 4,5                                      | 2,9   |
| 4,8                                      | 3,1   |
| 5,1                                      | 3,3   |
| 5,5                                      | 3,6   |
| 5,8                                      | 3,8   |
| 6,2                                      | 4,0   |

006403

# BẢO TRÌ

## CẢN TRỌNG:

- Hãy luôn chắc chắn rằng dụng cụ đã được tắt và ngắt kết nối trước khi cố gắng thực hiện việc kiểm tra hay bảo dưỡng.
- Không bao giờ dùng xăng, ét xăng, dung môi, cồn hoặc hóa chất tương tự. Có thể xảy ra hiện tượng mất màu, biến dạng hoặc nứt vỡ.

Để đảm bảo AN TOÀN và TIN CẬY của sản phẩm, việc sửa chữa hoặc bất cứ thao tác bảo trì, điều chỉnh nào đều phải được thực hiện bởi các Trung tâm Dịch vụ Nhà máy hoặc Trung tâm được Makita Ủy quyền (Makita Authorized Service Center), luôn sử dụng các phụ tùng thiết bị thay thế của Makita.

# PHỤ KIỆN TÙY CHỌN

## CẢN TRỌNG:

- Các phụ kiện hoặc phụ tùng gắn thêm này được khuyến cáo sử dụng với dụng cụ Makita của bạn theo như quy định trong hướng dẫn này. Việc sử dụng bất cứ phụ kiện hoặc phụ tùng gắn thêm nào khác đều có thể gây ra rủi ro thương tích cho người. Chỉ sử dụng phụ kiện hoặc phụ tùng gắn thêm cho mục đích đã quy định sẵn của chúng.

Nếu bạn cần hỗ trợ để biết thêm chi tiết về những phụ kiện này, hãy liên hệ với Trung tâm Dịch vụ của Makita tại địa phương của bạn.

- Đầu mũi Phillip
- Mũi đầu tuýp từ tính
- Nắp trước
- Hộp chứa bằng sắt

## LƯU Ý:

- Một vài mục trong danh sách có thể được bao gồm trong gói dụng cụ làm phụ kiện tiêu chuẩn. Các thông số kỹ thuật có thể thay đổi tùy theo từng quốc gia.

## คำอธิบายของมุมมองทั่วไป

- |             |                       |                             |
|-------------|-----------------------|-----------------------------|
| 1. ตัวยึด   | 5. สกรูควบคุมความเร็ว | 9. สูง                      |
| 2. ฝาหน้า   | 6. สวิตช์สั่งงาน      | 10. ก้านสวิตช์เปลี่ยนทิศทาง |
| 3. ลูกกรง   | 7. ปุ่มล๊อค           | 11. ฝาหน้า                  |
| 4. แหวนปรับ | 8. ต่ำ                |                             |

## ข้อมูลจำเพาะ

|                                   |                |         |
|-----------------------------------|----------------|---------|
| รุ่น                              | 6805BV         |         |
| ความสามารถในการเจาะ               | สกรูหัวปัลลอย  | 6 มม.   |
|                                   | สกรูยึดโลหะ    | 8 มม.   |
|                                   | สกรูยึดไม้     | 6.2 มม. |
| ขนาดของก้านดอกสว่าน               | หกเหลี่ยม 1/4" |         |
| ความเร็วขณะหมุนเปล่า (รอบต่อนาที) | 0 - 2,500      |         |
| ความยาวโดยรวม                     | 267 มม.        |         |
| น้ำหนักสุทธิ                      | 1.9 กก.        |         |
| มาตรฐานความปลอดภัย                | ☐/II           |         |

- เนื่องจากการค้นคว้าวิจัยและพัฒนาอย่างต่อเนื่อง ข้อมูลจำเพาะในเอกสารฉบับนี้อาจเปลี่ยนแปลงได้โดยไม่ต้องแจ้งให้ทราบล่วงหน้า
- ข้อมูลจำเพาะอาจแตกต่างกันไปในแต่ละประเทศ
- น้ำหนักตามข้อบังคับของ EPTA 01/2003

END201-5

GEA005-3

## สัญลักษณ์

ต่อไปนี้เป็นสัญลักษณ์ที่ใช้สำหรับอุปกรณ์  
โปรดศึกษาความหมายของสัญลักษณ์ให้เข้าใจก่อนการใช้งาน



..... อ่านคู่มือการใช้งาน



..... ฉนวนสองชั้น

## จุดประสงค์ของเครื่องมือ

เครื่องมือนี้ใช้สำหรับขันสกรูลงไม้ โลหะ และพลาสติก

ENE033-1

ENF002-2

## แหล่งจ่ายไฟ

ควรเชื่อมต่อเครื่องมือกับแหล่งจ่ายไฟที่มีแรงดันไฟฟ้าตามที่ระบุไว้ในป้ายข้อมูลของเครื่องมือ และต้องใช้ไฟฟ้ากระแสสลับแบบเฟสเดียวเท่านั้น อุปกรณ์นี้ได้รับการหุ้มฉนวนสองชั้นและสามารถใช้กับปลั๊กไฟที่ไม่มีสายดินได้

คำเตือนด้านความปลอดภัยของ  
เครื่องมือไฟฟ้าทั่วไป

⚠ คำเตือน! อ่านคำเตือนด้านความปลอดภัยและคำแนะนำทั้งหมด การไม่ปฏิบัติตามคำเตือนและคำแนะนำดังกล่าวอาจส่งผลให้เกิดไฟฟ้าช็อต ไฟไหม้ และ/หรือได้รับบาดเจ็บอย่างร้ายแรง

## เก็บรักษาคำเตือนและคำแนะนำทั้งหมดไว้เป็นข้อมูลอ้างอิงในอนาคต

คำว่า "เครื่องมือไฟฟ้า" ในคำเตือนนี้ หมายถึง เครื่องมือไฟฟ้า (มีสาย) ที่ทำงานโดยใช้กระแสไฟฟ้า หรือเครื่องมือไฟฟ้า (ไร้สาย) ที่ทำงานโดยใช้แบตเตอรี่

## ความปลอดภัยของพื้นที่ทำงาน

- ดูแลพื้นที่ทำงานให้มีความสะอาดและมีแสงไฟสว่าง พื้นที่รกกระเถอะหรือมีดทับอาจนำไปสู่การเกิดอุบัติเหตุได้
- อย่าใช้งานเครื่องมือไฟฟ้าในสภาพที่อาจเกิดการระเบิด เช่น ในสถานที่ที่มีของเหลว ก๊าซ หรือฝุ่นผงที่มีคุณสมบัติไวไฟ เครื่องมือไฟฟ้าจะสร้างประกายไฟเพื่อจุดชนวนฝุ่นผงหรือก๊าซดังกล่าว

3. ดูแลไม่ให้มีเด็ก ๆ หรือบุคคลอื่นอยู่ในบริเวณที่กำลังใช้เครื่องมือไฟฟ้า การมีสิ่งรบกวนสมาธิอาจทำให้คุณสูญเสียการควบคุม

#### ความปลอดภัยด้านไฟฟ้า

4. ปลั๊กของเครื่องมือไฟฟ้าต้องพอดีกับตัวรับ อย่าตัดแปลงปลั๊กไม่ว่ากรณีใด ๆ อย่าใช้ปลั๊กอะแดปเตอร์กับเครื่องมือไฟฟ้าที่ต่อสายดิน ปลั๊กที่ไม่ถูกต้องและตัวรับไฟที่เข้ากันพอดีจะช่วยลดความเสี่ยงของการเกิดไฟฟ้าช็อต
5. ระวังอย่าให้ร่างกายสัมผัสกับพื้นผิวที่ต่อสายดิน เช่น ท่อเครื่องนำความร้อน เตาหุงต้ม และตู้เย็น มีความเสี่ยงที่จะเกิดไฟฟ้าช็อตสูงขึ้น หากร่างกายของคุณสัมผัสกับพื้น
6. อย่าให้เครื่องมือไฟฟ้าถูกน้ำหรืออยู่ในสภาพเปียกชื้น น้ำที่ไหลเข้าไปในเครื่องมือไฟฟ้าจะเพิ่มความเสี่ยงของการเกิดไฟฟ้าช็อต
7. อย่าใช้สายไฟอย่างที่ไม่เหมาะสม อย่าใช้สายไฟเพื่อยก ดึง หรือ ถอดปลั๊กเครื่องมือไฟฟ้า เก็บสายไฟให้ห่างจากความร้อน น้ำมัน ของมีคม หรือชิ้นส่วนที่เคลื่อนที่ สายที่ชำรุดหรือพันกันจะเพิ่มความเสี่ยงของการเกิดไฟฟ้าช็อต
8. ขณะที่ใช้งานเครื่องมือไฟฟ้าในอาคาร ควรใช้สายต่อพ่วงที่เหมาะสมกับงานภายนอกอาคาร การใช้สายที่เหมาะสมกับงานภายนอกอาคารจะลดความเสี่ยงของการเกิดไฟฟ้าช็อต
9. หากต้องใช้งานเครื่องมือไฟฟ้าในสถานที่เปียกชื้น ให้ใช้อุปกรณ์ป้องกันกระแสไฟรั่ว (RCD) การใช้ RCD จะลดความเสี่ยงของการเกิดไฟฟ้าช็อต
10. ขอแนะนำให้ใช้แหล่งจ่ายไฟผ่าน RCD ที่มีกระแสไฟรั่วในอัตราไม่เกิน 30 mA เสมอ

#### ความปลอดภัยส่วนบุคคล

11. ให้ระมัดระวัง และสังเกตเสมอว่าคุณกำลังทำอะไรอยู่ และใช้สามัญสำนึกในขณะที่ใช้งานเครื่องมือไฟฟ้า อย่าใช้งานเครื่องมือไฟฟ้าในขณะที่คุณกำลังเหนื่อย หรือในสภาพที่มีเมฆจากยาเสพติด เครื่องดื่มแอลกอฮอล์ หรือการให้ยา ช่วงเวลาที่ขาดความระมัดระวังเมื่อกำลังใช้งานเครื่องมือไฟฟ้าอาจทำให้คุณได้รับบาดเจ็บอย่างรุนแรง
12. ใช้อุปกรณ์ป้องกันส่วนบุคคล สวมแว่นตาป้องกันเสมอ อุปกรณ์ป้องกัน เช่น หน้ากากกันฝุ่น รองเท้านิรภัยกันลื่น หมวกนิรภัย หรือเครื่องป้องกันการได้ยินที่ใช้ในสภาพที่เหมาะสมจะช่วยลดการบาดเจ็บ
13. ป้องกันไม่ให้เปิดใช้งานอย่างไม่ตั้งใจ ตรวจสอบว่าสวิตช์อยู่ในตำแหน่งปิดก่อนเชื่อมต่อกับแหล่งจ่ายไฟ และ/หรือ ชุดแบตเตอรี่ หรือก่อนการยกหรือถือเครื่องมือ การถอดนิ้วมือบริเวณสวิตช์เพื่อถือเครื่องมือไฟฟ้า หรือการชาร์จไฟเครื่องมือไฟฟ้าในขณะที่เปิดสวิตช์อยู่อาจนำไปสู่การเกิดอุบัติเหตุ

14. นำกุญแจปรับแต่งหรือประแจออกก่อนที่จะเปิดเครื่องมือไฟฟ้า ประแจหรือกุญแจที่เสียบค้างอยู่ในชิ้นส่วนที่หมุนได้ของเครื่องมือไฟฟ้าอาจทำให้คุณได้รับบาดเจ็บ
15. อย่าทำงานในระบะที่สุดเอื้อม จัดทำกรงยึดและกางทรงตัวให้เหมาะสมตลอดเวลา เพราะจะทำให้ควบคุมเครื่องมือไฟฟ้าได้ดีขึ้นในสถานการณ์ที่ไม่คาดคิด
16. แต่งกายให้เหมาะสม อย่าสวมเครื่องแต่งกายที่หลวมเกินไป หรือสวมเครื่องประดับ ดูแลไม่ให้เส้นผม เสื้อผ้า และถุงมืออยู่ใกล้ชิ้นส่วนที่เคลื่อนที่ เสื้อผ้ารุ่มร่าม เครื่องประดับ หรือผมที่มีควมยาวอาจเข้าไปติดในชิ้นส่วนที่เคลื่อนที่
17. หากมีการจัดอุปกรณ์สำหรับคุณและจัดเก็บฝุ่นไว้ในสถานที่ ให้ตรวจสอบว่าได้เชื่อมต่อและใช้งานอุปกรณ์นั้นอย่างเหมาะสม การใช้เครื่องดูดและจัดเก็บฝุ่นจะช่วยลดอันตรายที่เกิดจากฝุ่นผงได้

#### การใช้และดูแลเครื่องมือไฟฟ้า

18. อย่าฝืนใช้เครื่องมือไฟฟ้า ใช้เครื่องมือไฟฟ้าที่เหมาะสมกับการใช้งานของคุณ เครื่องมือไฟฟ้าที่เหมาะสมจะทำให้ได้งานที่มีประสิทธิภาพและปลอดภัยกว่าตามขีดความสามารถของเครื่องที่ได้รับการออกแบบมา
19. อย่าใช้เครื่องมือไฟฟ้า หากสวิตช์ไม่สามารถเปิดปิดได้ เครื่องมือไฟฟ้าที่ควบคุมด้วยสวิตช์ไม่ได้เป็นอันตรายและต้องได้รับการซ่อมแซม
20. ถอดปลั๊กจากแหล่งจ่ายไฟ และ/หรือชุดแบตเตอรี่ออกจากเครื่องมือไฟฟ้าก่อนทำการปรับแต่ง เปลี่ยนอุปกรณ์เสริม หรือจัดเก็บเครื่องมือไฟฟ้า วิธีการป้องกันด้านความปลอดภัยดังกล่าวจะช่วยลดความเสี่ยงของการเปิดใช้งานเครื่องมือไฟฟ้าอย่างไม่ตั้งใจ
21. จัดเก็บเครื่องมือไฟฟ้าที่ไม่ได้ใช้งานให้ห่างจากมือเด็ก และอย่าอนุญาตให้บุคคลที่ไม่คุ้นเคยกับเครื่องมือไฟฟ้า หรือคำแนะนำเหล่านี้ใช้งานเครื่องมือไฟฟ้า เครื่องมือไฟฟ้าจะเป็นอันตรายเมื่ออยู่ในมือของผู้ที่ไม่ได้รับการฝึกอบรม
22. การดูแลรักษาเครื่องมือไฟฟ้า ตรวจสอบการประกอบที่ไม่ถูกต้องหรือการเชื่อมต่อของชิ้นส่วนที่เคลื่อนที่ การแตกหักของชิ้นส่วน หรือสภาพอื่น ๆ ที่อาจส่งผลกระทบต่อการทำงานของเครื่องมือไฟฟ้า หากมีความเสียหายให้นำเครื่องมือไฟฟ้าไปซ่อมแซมก่อนการใช้งาน อุบัติเหตุจำนวนมากเกิดจากการดูแลรักษาเครื่องมือไฟฟ้าอย่างไม่ถูกต้อง
23. ลับความคมและทำความสะอาดเครื่องมือการตัดอยู่เสมอ เครื่องมือการตัดที่มีการดูแลอย่างถูกต้องและมีขอบการตัดคมมักจะมีปัญหาติดขัดน้อยและควบคุมได้ง่ายกว่า
24. ใช้เครื่องมือไฟฟ้า อุปกรณ์เสริม และวัสดุสิ้นเปลือง ฯลฯ ตามคำแนะนำดังกล่าว พิจารณาสภาพการทำงานและงานที่จะลงมือทำ การใช้เครื่องมือไฟฟ้าเพื่อทำงานอื่นนอกเหนือจากที่กำหนดไว้อาจทำให้เกิดอันตราย



## การบริการ

25. นำเครื่องมือไฟฟ้าเข้ารับบริการจากช่างซ่อมที่ผ่านการรับรองโดยใช้อะไหล่แบบเดียวกันเท่านั้น เพราะจะทำให้การใช้เครื่องมือไฟฟ้ามีความปลอดภัย
26. ปฏิบัติตามคำแนะนำในการหลอ่ลื่นและการเปลี่ยนอุปกรณ์เสริม
27. ดูแลมือจับให้แห้ง สะอาด และไม่มันน้ำมันและจาระบีเปื้อน

GEB017-4

## คำเตือนด้านความปลอดภัยของไขควง

1. ถือเครื่องมือไฟฟ้าบริเวณมือจับที่เป็นฉนวนขณะทำงาน โดยที่สายรัดอาจสัมผัสกับสายไฟที่ซ่อนอยู่หรือสายไฟของเครื่องเอง สายรัดที่สัมผัสกับสายไฟที่ "มีกระแสไฟฟ้าไหลผ่าน" อาจทำให้ส่วนที่เป็นโลหะของเครื่องมือไฟฟ้าที่ไม่มีฉนวนหุ้ม "มีกระแสไฟฟ้าไหลผ่าน" และทำให้ผู้ปฏิบัติงานถูกไฟฟ้าช็อตได้
2. ตรวจสอบบริเวณที่ยืนให้มีความมั่นคงเสมอ หากใช้งานเครื่องมือในพื้นที่สูง ระวังอย่าให้มีคนอยู่ด้านล่าง
3. จับเครื่องมือให้แน่น
4. ระวังอย่าให้มือสัมผัสกับชิ้นส่วนที่หมุนได้
5. ห้ามสัมผัสกับดอกไขควงหรือชิ้นงานทันทีที่ทำงานเสร็จ เนื่องจากดอกไขควงหรือชิ้นงานอาจมีความร้อนสูงและลวกผิวหนังของคุณได้

## ปฏิบัติตามคำแนะนำเหล่านี้

### ⚠ คำเตือน:

อย่าให้ความไม่ระมัดระวังหรือความคุ้นเคยกับผลิตภัณฑ์ (จากการใช้งานซ้ำหลายครั้ง) อยู่เหนือการปฏิบัติตามกฎเกณฑ์ด้านความปลอดภัยในการใช้งานผลิตภัณฑ์อย่างเคร่งครัด การใช้งานอย่างไม่เหมาะสมหรือการไม่ปฏิบัติตามกฎเกณฑ์ด้านความปลอดภัยในคู่มือใช้งานนี้อาจก่อให้เกิดการบาดเจ็บอย่างรุนแรง

## คำอธิบายการทำงาน

### ⚠ ข้อควรระวัง:

- ตรวจสอบให้แน่ใจว่าสวิตช์เครื่องมืออยู่ในตำแหน่งปิดเครื่อง และถอดปลั๊กเครื่องมือออกก่อนปรับตั้งหรือตรวจสอบการทำงานของเครื่องมือ

## การปรับความลึก (ภาพที่ 1 ภาพที่ 2 และภาพที่ 3)

เมื่อคุณต้องการจะขันสกรูหัวปล่อย ฯลฯ ให้ปรับความลึกดังต่อไปนี้บนตัวยึดเพื่อปรับความลึก

ขั้นแรก ให้ปรับตัวยึดเพื่อให้มีระยะห่างประมาณ 1 มม. จากส่วนปลายของฝาปิดด้านหน้า (ซึ่งทำงานร่วมกับตัวยึด) กับฐานของ

หัวสกรู การหมุนตัวยึดหนึ่งรอบจะเป็นการเปลี่ยนระดับความลึก 1 มม.

หลังจากปรับตัวยึดแล้ว ให้หมุนแหวนปรับให้เครื่องหมาย "6" ตรงกับตัวชี้ของเรือนเกียร์ ชันสกรูเข้าชิ้นงานหรือวัสดุ หากความลึกไม่เหมาะสมกับสกรู ให้ปรับใหม่จนได้ความลึกที่เหมาะสม

## การทำงานของสวิตช์ (ภาพที่ 4)

### ⚠ ข้อควรระวัง:

- ก่อนเสียบปลั๊กเครื่องมือ ให้ตรวจสอบว่าสวิตช์สั่งงานสามารถทำงานได้อย่างถูกต้อง และกลับไปยังตำแหน่ง "OFF" เมื่อปล่อยเปิดใช้เครื่องมือโดยดึงสวิตช์สั่งงาน ความเร็วเครื่องมือจะเพิ่มขึ้นเมื่อออกแรงกดที่สวิตช์สั่งงาน ปล่อยสวิตช์สั่งงานเพื่อหยุดทำงาน ถ้าต้องการใช้งานอย่างต่อเนื่อง ดึงสวิตช์สั่งงานและกดปุ่มล็อค ถ้าต้องการเลิกใช้งานเครื่องมือในตำแหน่งล็อค ให้ดึงสวิตช์สั่งงานจนสุด จากนั้นปล่อยสวิตช์

สกรูควบคุมความเร็วมีจุดประสงค์เพื่อให้ผู้ใช้สามารถควบคุมความเร็วเครื่องมือได้ (แตกต่างกัน) การหมุนสกรูควบคุมความเร็วตามเข็มนาฬิกาจะเป็นการทำให้ความเร็วสูงขึ้น การหมุนสกรูควบคุมความเร็วทวนเข็มนาฬิกาจะทำให้ความเร็วต่ำลง

### หมายเหตุ:

- แม้ว่าจะเปิดสวิตช์และมอเตอร์หมุนอยู่ ดอกไขควงจะยังไม่หมุน จนกว่าคุณจะทำดอกไขควงเข้ากับหัวสกรูแล้วกดเพื่อให้คลัชท์ทำงาน

## การทำงานของสวิตช์เปลี่ยนทิศทาง (ภาพที่ 5)

### ⚠ ข้อควรระวัง:

- ตรวจสอบทิศทางการหมุนก่อนการใช้งานเสมอ
- ใช้สวิตช์เปลี่ยนทิศทางหลังเครื่องมือหยุดสนิทเท่านั้น การเปลี่ยนทิศทางการหมุนก่อนเครื่องมือหยุดสนิทอาจทำให้เครื่องมือเสียหายได้

เครื่องมือนี้มีสวิตช์เปลี่ยนทิศทาง เพื่อใช้เปลี่ยนทิศทางการหมุน ปรับก้านสวิตช์เปลี่ยนทิศทางไปที่ตำแหน่ง ๑ สำหรับการหมุนตามเข็มนาฬิกา หรือตำแหน่ง ๒ สำหรับการหมุนทวนเข็มนาฬิกา

## การปรับตั้งแรงบิดขั้นแน่น (ภาพที่ 6)

เมื่อต้องการขันสกรูยึดโลหะ สกรูยึดไม้ สลักเกลียวเหล็กผสม ฯลฯ ด้วยแรงบิดที่ตั้งไว้ล่วงหน้า ให้ปรับตั้งแรงบิดขั้นแน่นดังนี้ สามารถปรับแรงบิดขั้นแน่นได้โดยการหมุนแหวนปรับ ก่อนที่จะหมุนแหวนปรับ หมุนตัวยึดในทิศทางที่ของลูกศรจนสุดโดยไม่ต้องใช้แรงกด สามารถเพิ่มแรงบิดได้โดยการหมุนแหวนปรับไปตามลูกศรและลดแรงบิดไปยังฝั่งตรงข้าม ตั้งแหวนปรับให้หมายเลข 1 ตรงกับเข็มชี้บนกล่องเกียร์ ชันสกรูเข้าชิ้นงานหรือวัสดุ หากแรงบิดขั้นแน่นไม่เหมาะสมกับสกรู ให้ปรับใหม่จนกระทั่งเหมาะสม

### ⚠ ข้อควรระวัง:

- ควรหมุนแหวนปรับแต่ในช่วงตัวเลขเท่านั้น ไม่ควรฝืนหมุนเกินช่วงดังกล่าว

## การประกอบ

### ⚠ ข้อควรระวัง:

- ตรวจสอบให้แน่ใจว่าสวิตช์เครื่องมืออยู่ในตำแหน่งปิดเครื่อง และถอดปลั๊กเครื่องมือออกก่อนดำเนินการใดๆ กับเครื่องมือ

## การติดตั้งหรือถอดดอกสว่าน (ภาพที่ 7)

วิธีการถอดดอกไขควง ให้ดึงฝานำออกแล้วดึงดอกไขควงออกมาตรงๆ

วิธีการติดตั้งดอกไขควง ให้ดันดอกไขควงเข้าไปในเครื่องมือจนสุดแล้วใส่ฝานำกลับที่เดิม

## การใช้งาน

ใส่สกรูไว้ที่ดอกไขควงแล้วนำไปจอบกับพื้นผิวของชิ้นงานที่ต้องการจะยึด กดเครื่องมือลงเข้ากับชิ้นงานแล้วเริ่มขัน ดึงเครื่องมือออกทันทีเมื่อคัลท์ที่ตัดแล้วปล่อยสวิตช์สั่งงาน

### ⚠ ข้อควรระวัง:

- ตอนที่ใส่สกรูเข้ากับดอกไขควง ระวังอย่ากดดอกไขควงเข้ากับสกรู มิฉะนั้นสกรูอาจจะหมุนในทันที ซึ่งอาจทำให้ชิ้นงานเสียหายหรือก่อให้เกิดอาการบาดเจ็บได้
- ใช้ดอกไขควงที่เหมาะสมกับสกรูที่ต้องการการใช้
- อย่าใช้งานคัลท์โดยไม่จำเป็น

### หมายเหตุ:

- ตรวจสอบให้แน่ใจว่าวงดอกไขควงตรงกับหัวสกรู ไม่เช่นนั้น สกรูและ/หรือดอกไขควงอาจเสียหายได้
- เมื่อขันสกรูยึดไม้ ให้เจาะรูนำไว้ก่อนเพื่อให้ขันได้ง่ายขึ้นและเพื่อป้องกันไม่ให้ชิ้นงานแยกออกจากกัน โปรดดูที่ตาราง

| เส้นผ่านศูนย์กลางปรากฏของสกรูยึดไม้ (มม.) | ขนาดรูนำที่แนะนำ (มม.) |
|---|------------------------|
| 3.1                                       | 2.0                    |
| 3.5                                       | 2.2                    |
| 3.8                                       | 2.5                    |
| 4.5                                       | 2.9                    |
| 4.8                                       | 3.1                    |
| 5.1                                       | 3.3                    |
| 5.5                                       | 3.6                    |
| 5.8                                       | 3.8                    |
| 6.2                                       | 4.0                    |

## การบำรุงรักษา

### ⚠ ข้อควรระวัง:

- ตรวจสอบให้แน่ใจว่าได้ปิดสวิตช์เครื่องมือและถอดปลั๊กออกก่อนทำการตรวจสอบหรือบำรุงรักษา
- อย่าใช้น้ำมันเชื้อเพลิง เบนซิน ทินเนอร์ แอลกอฮอล์ หรือวัสดุประเภทเดียวกัน เพราะอาจทำให้เครื่องมือมีสีที่จาง ผิดรูปทรงหรือแตกหักได้

เพื่อความปลอดภัยและความน่าเชื่อถือของผลิตภัณฑ์ ควรให้ศูนย์บริการหรือโรงงานที่ผ่านการรับรองจาก Makita เป็นผู้ดำเนินการซ่อมแซม ตรวจสอบและเปลี่ยนแปลงคาร์บอน บำรุงรักษา และทำการปรับตั้งอื่นๆ นอกจากนี้ให้ใช้อะไหล่ของแท้จาก Makita เสมอ

## อุปกรณ์เสริม

### ⚠ ข้อควรระวัง:

- ขอแนะนำให้ใช้เฉพาะอุปกรณ์เสริมหรืออุปกรณ์ต่อพ่วงเหล่านี้กับเครื่องมือ Makita ที่ระบุในคู่มือ การใช้อุปกรณ์เสริมหรืออุปกรณ์ต่อพ่วงอื่นๆ อาจมีความเสี่ยงที่จะได้รับบาดเจ็บ ใช้ อุปกรณ์เสริมหรืออุปกรณ์ต่อพ่วงตามวัตถุประสงค์ที่ระบุไว้เท่านั้น

หากคุณต้องการทราบรายละเอียดเกี่ยวกับอุปกรณ์เสริมเหล่านี้ โปรดสอบถามศูนย์บริการ Makita ใกล้บ้านคุณ

- ดอกไขควงปากแฉก
- ดอกไขควงหัวบ็อกซ์แม่เหล็ก
- ฝาน้ำ
- กล่องเหล็ก

### หมายเหตุ:

- อุปกรณ์บางรายการอาจจะรวมอยู่ในชุดอุปกรณ์พื้นฐานของผลิตภัณฑ์ ซึ่งอาจแตกต่างกันไปในแต่ละประเทศ



**Makita Corporation**

Anjo, Aichi, Japan

[www.makita.com](http://www.makita.com)

883587-372

TRD