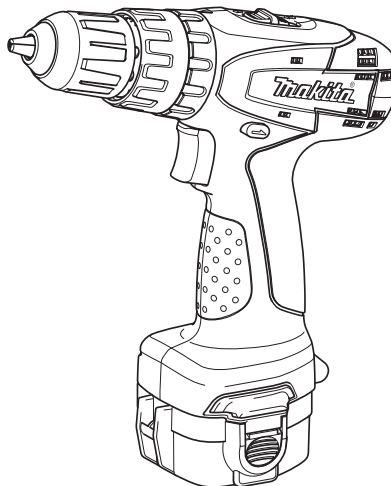
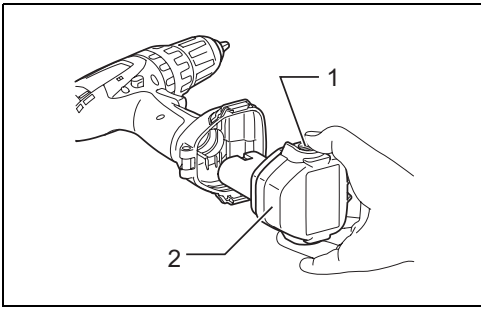




<b>GB</b>	Cordless Hammer Driver Drill	Instruction manual
<b>ID</b>	Bor Obeng Getar Tanpa Kabel	Petunjuk penggunaan
<b>VI</b>	Máy khoan búa chạy pin	Tài liệu hướng dẫn
<b>TH</b>	สว่านไขควงตอกแบบไร้สาย	คู่มือการใช้งาน

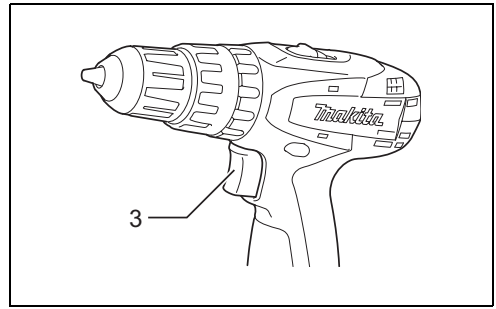
**8271D**  
**8281D**  
**8381D**  
**8391D**





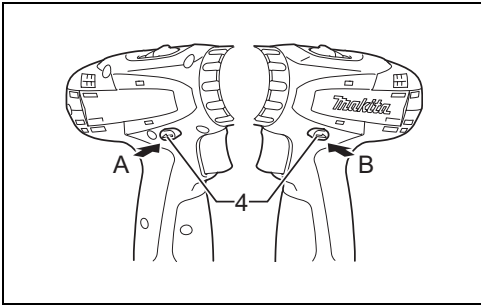
1

008694



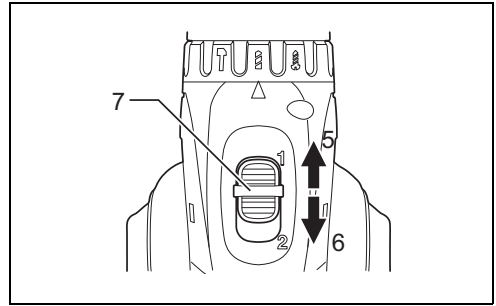
2

008695



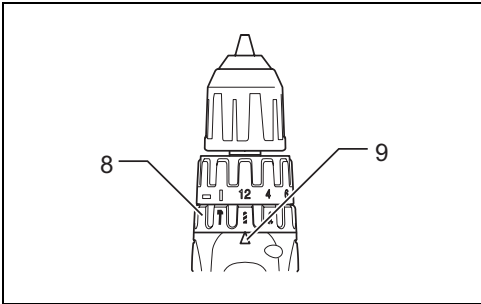
3

008696



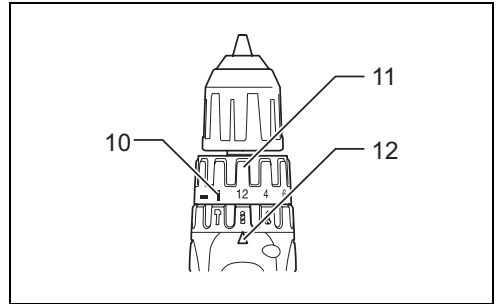
4

008697



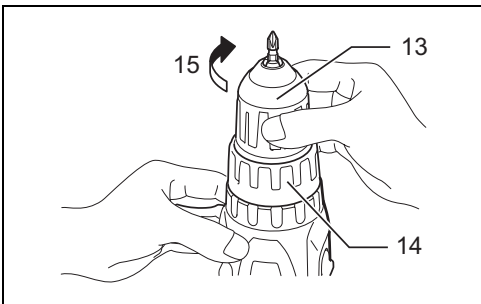
5

008698



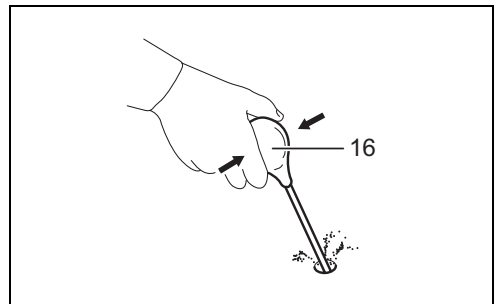
6

008699



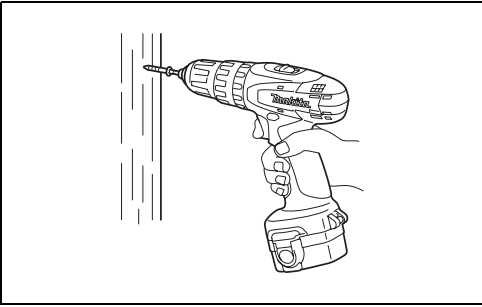
7

008700



8

002449



9

008701

**Explanation of general view**

- |                           |                              |                   |
|---------------------------|------------------------------|-------------------|
| 1. Button                 | 7. Speed change lever        | 13. Sleeve        |
| 2. Battery cartridge      | 8. Action mode changing ring | 14. Ring          |
| 3. Switch trigger         | 9. Arrow                     | 15. Tighten       |
| 4. Reversing switch lever | 10. Graduations              | 16. Blow-out bulb |
| 5. Low speed              | 11. Adjusting ring           |                   |
| 6. High speed             | 12. Pointer                  |                   |

**SPECIFICATIONS**

Model		8271D	8281D	8381D	8391D
Capacities	Steel	10 mm	10 mm	13 mm	13 mm
	Wood	25 mm	25 mm	25 mm	36 mm
	Concrete	8 mm	10 mm	10 mm	13 mm
	Wood screw	5.1 mm x 63 mm			6 mm x 75 mm
	Machine screw	6 mm			
No load speed (min <sup>-1</sup> )	High	0 - 1,300			
	Low	0 - 400			
Blows per minute	High	0 - 19,500			
	Low	0 - 6,000			
Overall length		210 mm	210 mm	218 mm	234 mm
Net weight		1.6 kg	1.7 kg	1.7 kg	2.1 kg
Rated voltage		D.C. 12 V	D.C. 14.4 V	D.C. 14.4 V	D.C. 18 V

- Due to our continuing programme of research and development, the specifications herein are subject to change without notice.
- Specifications and battery cartridge may differ from country to country.
- Weight, with battery cartridge, according to EPTA-Procedure 01/2003

**Symbols**

The following show the symbols used for the equipment. Be sure that you understand their meaning before use.



..... Read instruction manual.

END004-3

**Work area safety**

1. **Keep work area clean and well lit.** Cluttered or dark areas invite accidents.
2. **Do not operate power tools in explosive atmospheres, such as in the presence of flammable liquids, gases or dust.** Power tools create sparks which may ignite the dust or fumes.
3. **Keep children and bystanders away while operating a power tool.** Distractions can cause you to lose control.

**Intended use**

The tool is intended for impact drilling in brick, concrete and stone as well as for drilling without impact in wood, metal, ceramic and plastic.

ENE039-1

**Electrical safety**

4. **Power tool plugs must match the outlet. Never modify the plug in any way. Do not use any adapter plugs with earthed (grounded) power tools.** Unmodified plugs and matching outlets will reduce risk of electric shock.
5. **Avoid body contact with earthed or grounded surfaces such as pipes, radiators, ranges and refrigerators.** There is an increased risk of electric shock if your body is earthed or grounded.
6. **Do not expose power tools to rain or wet conditions.** Water entering a power tool will increase the risk of electric shock.
7. **Do not abuse the cord. Never use the cord for carrying, pulling or unplugging the power tool. Keep cord away from heat, oil, sharp edges or moving parts.** Damaged or entangled cords increase the risk of electric shock.

GEA006-2

**General Power Tool Safety Warnings**

**⚠ WARNING! Read all safety warnings and all instructions.** Failure to follow the warnings and instructions may result in electric shock, fire and/or serious injury.

**Save all warnings and instructions for future reference.**

The term "power tool" in the warnings refers to your mains-operated (corded) power tool or battery-operated (cordless) power tool.

8. **When operating a power tool outdoors, use an extension cord suitable for outdoor use.** Use of a cord suitable for outdoor use reduces the risk of electric shock.
9. **If operating a power tool in a damp location is unavoidable, use a ground fault circuit interrupter (GFCI) protected supply.** Use of an GFCI reduces the risk of electric shock.

#### **Personal safety**

10. **Stay alert, watch what you are doing and use common sense when operating a power tool. Do not use a power tool while you are tired or under the influence of drugs, alcohol or medication.** A moment of inattention while operating power tools may result in serious personal injury.
11. **Use personal protective equipment. Always wear eye protection.** Protective equipment such as dust mask, non-skid safety shoes, hard hat, or hearing protection used for appropriate conditions will reduce personal injuries.
12. **Prevent unintentional starting. Ensure the switch is in the off-position before connecting to power source and/or battery pack, picking up or carrying the tool.** Carrying power tools with your finger on the switch or energising power tools that have the switch on invites accidents.
13. **Remove any adjusting key or wrench before turning the power tool on.** A wrench or a key left attached to a rotating part of the power tool may result in personal injury.
14. **Do not overreach. Keep proper footing and balance at all times.** This enables better control of the power tool in unexpected situations.
15. **Dress properly. Do not wear loose clothing or jewellery. Keep your hair, clothing, and gloves away from moving parts.** Loose clothes, jewellery or long hair can be caught in moving parts.
16. **If devices are provided for the connection of dust extraction and collection facilities, ensure these are connected and properly used.** Use of dust collection can reduce dust-related hazards.

#### **Power tool use and care**

17. **Do not force the power tool. Use the correct power tool for your application.** The correct power tool will do the job better and safer at the rate for which it was designed.
18. **Do not use the power tool if the switch does not turn it on and off.** Any power tool that cannot be controlled with the switch is dangerous and must be repaired.
19. **Disconnect the plug from the power source and/or the battery pack from the power tool before making any adjustments, changing accessories, or storing power tools.** Such preventive safety measures reduce the risk of starting the power tool accidentally.
20. **Store idle power tools out of the reach of children and do not allow persons unfamiliar with the power tool or these instructions to operate the power tool.** Power tools are dangerous in the hands of untrained users.

21. **Maintain power tools. Check for misalignment or binding of moving parts, breakage of parts and any other condition that may affect the power tool's operation. If damaged, have the power tool repaired before use.** Many accidents are caused by poorly maintained power tools.
22. **Keep cutting tools sharp and clean.** Properly maintained cutting tools with sharp cutting edges are less likely to bind and are easier to control.
23. **Use the power tool, accessories and tool bits etc. in accordance with these instructions, taking into account the working conditions and the work to be performed.** Use of the power tool for operations different from those intended could result in a hazardous situation.

#### **Battery tool use and care**

24. **Recharge only with the charger specified by the manufacturer.** A charger that is suitable for one type of battery pack may create a risk of fire when used with another battery pack.
25. **Use power tools only with specifically designated battery packs.** Use of any other battery packs may create a risk of injury and fire.
26. **When battery pack is not in use, keep it away from other metal objects, like paper clips, coins, keys, nails, screws or other small metal objects, that can make a connection from one terminal to another.** Shorting the battery terminals together may cause burns or a fire.
27. **Under abusive conditions, liquid may be ejected from the battery; avoid contact. If contact accidentally occurs, flush with water. If liquid contacts eyes, additionally seek medical help.** Liquid ejected from the battery may cause irritation or burns.

#### **Service**

28. **Have your power tool serviced by a qualified repair person using only identical replacement parts.** This will ensure that the safety of the power tool is maintained.
29. **Follow instruction for lubricating and changing accessories.**
30. **Keep handles dry, clean and free from oil and grease.**

GEB003-4

## **SPECIFIC SAFETY RULES**

**DO NOT let comfort or familiarity with product (gained from repeated use) replace strict adherence to hammer drill safety rules. If you use this power tool unsafely or incorrectly, you can suffer serious personal injury.**

1. **Wear ear protectors when impact drilling.** Exposure to noise can cause hearing loss.
2. **Use auxiliary handle(s), if supplied with the tool.** Loss of control can cause personal injury.
3. **Hold power tool by insulated gripping surfaces, when performing an operation where the cutting accessory may contact hidden wiring or its own cord.** Cutting accessory contacting a "live" wire may make exposed metal parts of the power tool "live" and could give the operator an electric shock.

4. Always be sure you have a firm footing. Be sure no one is below when using the tool in high locations.
5. Hold the tool firmly with both hands.
6. Keep hands away from rotating parts.
7. Do not leave the tool running. Operate the tool only when hand-held.
8. Do not touch the bit or the workpiece immediately after operation; they may be extremely hot and could burn your skin.
9. Some material contains chemicals which may be toxic. Take caution to prevent dust inhalation and skin contact. Follow material supplier safety data.

## SAVE THESE INSTRUCTIONS.

### **⚠ WARNING:**

MISUSE or failure to follow the safety rules stated in this instruction manual may cause serious personal injury.

ENC004-1

## IMPORTANT SAFETY INSTRUCTIONS

### FOR BATTERY CARTRIDGE

1. Before using battery cartridge, read all instructions and cautionary markings on (1) battery charger, (2) battery, and (3) product using battery.
2. Do not disassemble battery cartridge.
3. If operating time has become excessively shorter, stop operating immediately. It may result in a risk of overheating, possible burns and even an explosion.
4. If electrolyte gets into your eyes, rinse them out with clear water and seek medical attention right away. It may result in loss of your eyesight.
5. Always cover the battery terminals with the battery cover when the battery cartridge is not used.
6. Do not short the battery cartridge:
  - (1) Do not touch the terminals with any conductive material.
  - (2) Avoid storing battery cartridge in a container with other metal objects such as nails, coins, etc.
  - (3) Do not expose battery cartridge to water or rain.  
A battery short can cause a large current flow, overheating, possible burns and even a breakdown.
7. Do not store the tool and battery cartridge in locations where the temperature may reach or exceed 50°C (122°F).
8. Do not incinerate the battery cartridge even if it is severely damaged or is completely worn out. The battery cartridge can explode in a fire.
9. Be careful not to drop or strike battery.

## SAVE THESE INSTRUCTIONS.

### Tips for maintaining maximum battery life

1. Charge the battery cartridge before completely discharged.  
Always stop tool operation and charge the battery cartridge when you notice less tool power.
2. Never recharge a fully charged battery cartridge. Overcharging shortens the battery service life.
3. Charge the battery cartridge with room temperature at 10°C - 40°C (50°F - 104°F). Let a hot battery cartridge cool down before charging it.
4. Charge the Nickel Metal Hydride battery cartridge when you do not use it for more than six months.

## FUNCTIONAL DESCRIPTION

### **⚠ CAUTION:**

- Always be sure that the tool is switched off and the battery cartridge is removed before adjusting or checking function on the tool.

### Installing or removing battery cartridge (Fig. 1)

- Always switch off the tool before insertion or removal of the battery cartridge.
- To remove the battery cartridge, withdraw it from the tool while pressing the buttons on both sides of the cartridge.
- To insert the battery cartridge, align the tongue on the battery cartridge with the groove in the housing and slip it into place. Always insert it all the way until it locks in place with a little click. If not, it may accidentally fall out of the tool, causing injury to you or someone around you.
- Do not use force when inserting the battery cartridge. If the cartridge does not slide in easily, it is not being inserted correctly.

### Switch action (Fig. 2)

#### **⚠ CAUTION:**

- Before inserting the battery cartridge into the tool, always check to see that the switch trigger actuates properly and returns to the "OFF" position when released.

To start the tool, simply pull the switch trigger. Tool speed is increased by increasing pressure on the switch trigger. Release the switch trigger to stop.

### Reversing switch action (Fig. 3)

This tool has a reversing switch to change the direction of rotation. Depress the reversing switch lever from the A side for clockwise rotation or from the B side for counterclockwise rotation.

When the reversing switch lever is in the neutral position, the switch trigger cannot be pulled.

#### **⚠ CAUTION:**

- Always check the direction of rotation before operation.
- Use the reversing switch only after the tool comes to a complete stop. Changing the direction of rotation before the tool stops may damage the tool.

- When not operating the tool, always set the reversing switch lever to the neutral position.

## Speed change (Fig. 4)


To change the speed, first switch off the tool and then slide the speed change lever to the "2" side for high speed or "1" side for low speed. Be sure that the speed change lever is set to the correct position before operation. Use the right speed for your job.


### ⚠ CAUTION:


- Always set the speed change lever fully to the correct position. If you operate the tool with the speed change lever positioned halfway between the "1" side and "2" side, the tool may be damaged.
- Do not use the speed change lever while the tool is running. The tool may be damaged.

## Selecting the action mode (Fig. 5)

This tool employs an action mode changing ring. Select one of the three modes suitable for your work needs by using this ring.

For rotation only, turn the ring so that the arrow on the tool body points toward the  mark on the ring.

For rotation with hammering, turn the ring so that the arrow points toward the  mark on the ring.

For rotation with clutch, turn the ring so that the arrow points toward the  mark on the ring.

### ⚠ CAUTION:

- Always set the ring correctly to your desired mode mark. If you operate the tool with the ring positioned halfway between the mode marks, the tool may be damaged.

## Adjusting the fastening torque (Fig. 6)

The fastening torque can be adjusted in 16 steps by turning the adjusting ring so that its graduations are aligned with the arrow on the tool body. The fastening torque is minimum when the number 1 is aligned with the arrow, and maximum when the number 16 is aligned with the arrow.

Before actual operation, drive a trial screw into your material or a piece of duplicate material to determine which torque level is required for a particular application.

## ASSEMBLY

### ⚠ CAUTION:

- Always be sure that the tool is switched off and the battery cartridge is removed before carrying out any work on the tool.

## Installing or removing driver bit or drill bit (Fig. 7)

Hold the ring and turn the sleeve counterclockwise to open the chuck jaws. Place the bit in the chuck as far as it will go. Hold the ring firmly and turn the sleeve clockwise to tighten the chuck.


To remove the bit, hold the ring and turn the sleeve counterclockwise.

## OPERATION

### Hammer drilling operation

#### ⚠ CAUTION:

- There is a tremendous and sudden twisting force exerted on the tool/bit at the time of hole breakthrough, when the hole becomes clogged with chips and particles, or when striking reinforcing rods embedded in the concrete.

First, turn the action mode changing ring so that the arrow on the tool body points to the  marking. The adjusting ring can be aligned in any torque levels for this operation. Be sure to use a tungsten-carbide tipped bit.


Position the bit at the desired location for the hole, then pull the switch trigger. Do not force the tool. Light pressure gives best results. Keep the tool in position and prevent it from slipping away from the hole.

Do not apply more pressure when the hole becomes clogged with chips or particles. Instead, run the tool at an idle, then remove the bit partially from the hole. By repeating this several times, the hole will be cleaned out and normal drilling may be resumed.

### Blow-out bulb (optional accessory) (Fig. 8)

After drilling the hole, use the blow-out bulb to clean the dust out of the hole.

### Screwdriving operation (Fig. 9)

First, turn the action mode changing ring so that the arrow on the tool body points to the  marking. Adjust the adjusting ring to the proper torque level for your work. Then proceed as follows.

Place the point of the driver bit in the screw head and apply pressure to the tool. Start the tool slowly and then increase the speed gradually. Release the switch trigger as soon as the clutch cuts in.

#### ⚠ CAUTION:

- Make sure that the driver bit is inserted straight in the screw head, or the screw and/or bit may be damaged.


#### NOTE:

- When driving wood screws, predrill pilot holes to make driving easier and to prevent splitting of the workpiece. See the chart.

Nominal diameter of wood screw (mm)	Recommended size of pilot hole (mm)
3.1	2.0 - 2.2
3.5	2.2 - 2.5
3.8	2.5 - 2.8
4.5	2.9 - 3.2
4.8	3.1 - 3.4
5.1	3.3 - 3.6
5.5	3.7 - 3.9
5.8	4.0 - 4.2
6.1	4.2 - 4.4

006421

## Drilling operation

First, turn the adjusting ring so that the pointer points to the  marking. Then proceed as follows.

### Drilling in wood

When drilling in wood, the best results are obtained with wood drills equipped with a guide screw. The guide screw makes drilling easier by pulling the bit into the workpiece.

### Drilling in metal

To prevent the bit from slipping when starting a hole, make an indentation with a center-punch and hammer at the point to be drilled. Place the point of the bit in the indentation and start drilling.

Use a cutting lubricant when drilling metals. The exceptions are iron and brass which should be drilled dry.

#### CAUTION:

- Pressing excessively on the tool will not speed up the drilling. In fact, this excessive pressure will only serve to damage the tip of your bit, decrease the tool performance and shorten the service life of the tool.
- There is a tremendous force exerted on the tool/bit at the time of hole break through. Hold the tool firmly and exert care when the bit begins to break through the workpiece.
- A stuck bit can be removed simply by setting the reversing switch to reverse rotation in order to back out. However, the tool may back out abruptly if you do not hold it firmly.
- Always secure small workpieces in a vise or similar hold-down device.
- If the tool is operated continuously until the battery cartridge has discharged, allow the tool to rest for 15 minutes before proceeding with a fresh battery.

## MAINTENANCE

#### CAUTION:

- Always be sure that the tool is switched off and the battery cartridge is removed before attempting to perform inspection or maintenance.

To maintain product SAFETY and RELIABILITY, repairs, any other maintenance or adjustment should be performed by Makita Authorized Service Centers, always using Makita replacement parts.

## OPTIONAL ACCESSORIES

#### CAUTION:

- These accessories or attachments are recommended for use with your Makita tool specified in this manual. The use of any other accessories or attachments might present a risk of injury to persons. Only use accessory or attachment for its stated purpose.

If you need any assistance for more details regarding these accessories, ask your local Makita Service Center.

- Tungsten-carbide tipped hammer bit
- Phillips bit
- Slotted bit
- Socket bit
- Blow-out bulb
- Safety goggles
- Various type of Makita genuine batteries and chargers
- Rubber pad assembly

- Wool bonnet
- Foam polishing pad
- Plastic carrying case

#### NOTE:

- Some items in the list may be included in the tool package as standard accessories. They may differ from country to country.



**Penjelasan tampilan keseluruhan**

- |                              |                               |                      |
|------------------------------|-------------------------------|----------------------|
| 1. Tombol                    | 7. Tuas pengubah kecepatan    | 13. Selongsong       |
| 2. Baterai                   | 8. Tombol pengubah mode kerja | 14. Cincin           |
| 3. Saklar pemicu             | 9. Tanda panah                | 15. Kencangkan       |
| 4. Tuas saklar pembalik arah | 10. Skala                     | 16. Penghembus angin |
| 5. Kecepatan rendah          | 11. Cincin penyetel           |                      |
| 6. Kecepatan tinggi          | 12. Penunjuk                  |                      |

**SPESIFIKASI**

Model		8271D	8281D	8381D	8391D
Kapasitas	Baja	10 mm	10 mm	13 mm	13 mm
	Kayu	25 mm	25 mm	25 mm	36 mm
	Beton	8 mm	10 mm	10 mm	13 mm
	Sekrup kayu	5,1 mm x 63 mm			6 mm x 75 mm
	Sekrup mesin	6 mm			
Kecepatan tanpa beban (min <sup>-1</sup> )	Tinggi	0 - 1.300			
	Rendah	0 - 400			
Hembusan per menit	Tinggi	0 - 19.500			
	Rendah	0 - 6.000			
Panjang keseluruhan		210 mm	210 mm	218 mm	234 mm
Berat bersih		1,6 kg	1,7 kg	1,7 kg	2,1 kg
Tegangan terukur		D.C. 12 V	D.C. 14,4 V	D.C. 14,4 V	D.C. 18 V

- Karena kesinambungan program penelitian dan pengembangan kami, spesifikasi yang disebutkan di sini dapat berubah tanpa pemberitahuan.
- Spesifikasi dan baterai dapat berbeda dari satu negara ke negara lainnya.
- Berat, dengan baterai, menurut Prosedur EPTA 01/2003

END004-3

**Simbol**

Berikut ini adalah simbol-simbol yang digunakan pada peralatan ini. Pastikan Anda mengerti makna masing-masing simbol sebelum menggunakan alat.



..... Baca petunjuk penggunaan.

**Penggunaan**

Mesin ini digunakan untuk membor kejut batu bata, beton dan batu serta juga untuk membor tanpa kejut kayu, logam, keramik dan plastik.

ENE039-1

GEA006-2

**Peringatan Keselamatan Umum Mesin Listrik**

**⚠ PERINGATAN! Bacalah semua peringatan keselamatan dan semua petunjuk.** Kelalaian mematuhi peringatan dan petunjuk dapat menyebabkan sengatan listrik, kebakaran dan/atau cedera serius.

**Simpanlah semua peringatan dan petunjuk untuk acuan di masa depan.**

Istilah "mesin listrik" dalam semua peringatan mengacu pada mesin listrik yang dijalankan dengan sumber listrik jala-jala (berkabel) atau baterai (tanpa kabel).

**Keselamatan tempat kerja**

1. **Jaga tempat kerja selalu bersih dan berpenerangan cukup.** Tempat kerja yang berantakan dan gelap mengundang kecelakaan.
2. **Jangan gunakan mesin listrik dalam lingkungan yang mudah meledak, misalnya jika ada cairan, gas, atau debu yang mudah menyala.** Mesin listrik menimbulkan bunga api yang dapat menyalaikan debu atau uap tersebut.
3. **Jauhkan anak-anak dan orang lain saat menggunakan mesin listrik.** Bila perhatian terpecah, anda dapat kehilangan kendali.

**Keamanan kelistrikan**

4. **Steker mesin listrik harus cocok dengan stopkontak.** Jangan sekali-kali mengubah steker dengan cara apa pun. Jangan menggunakan steker adaptor dengan mesin listrik berarde (dibumikan). Steker yang tidak diubah dan stopkontak yang cocok akan mengurangi risiko sengatan listrik.

5. **Hindari sentuhan tubuh dengan permukaan berarde atau yang dibumikan seperti pipa, radiator, kompor, dan kulkas.** Risiko sengatan listrik bertambah jika tubuh Anda terbumikan atau terarde.
6. **Jangan membiarkan mesin listrik kehuasan atau kebasahan.** Air yang masuk ke dalam mesin listrik akan meningkatkan risiko sengatan listrik.
7. **Jangan menyalahgunakan kabel. Jangan sekali-kali menggunakan kabel untuk membawa, menarik, atau mencabut mesin listrik dari stopkontak. Jauhkan kabel dari panas, minyak, tepian tajam, atau bagian yang bergerak.** Kabel yang rusak atau kusut memperbesar risiko sengatan listrik.
8. **Bila menggunakan mesin listrik di luar ruangan, gunakan kabel ekstensi yang sesuai untuk penggunaan di luar ruangan.** Penggunaan kabel yang sesuai untuk penggunaan luar ruangan mengurangi risiko sengatan listrik.
9. **Jika mengoperasikan mesin listrik di lokasi lembap tidak terhindarkan, gunakan pasokan daya yang dilindungi pemutus rangkaian salah arde (ground fault circuit interrupter - GFCI).** Penggunaan GFCI mengurangi risiko sengatan listrik.

#### **Keselamatan diri**

10. **Jaga kewaspadaan, perhatikan pekerjaan Anda dan gunakan akal sehat bila menggunakan mesin listrik. Jangan menggunakan mesin listrik saat Anda lelah atau di bawah pengaruh obat bius, alkohol, atau obat.** Sekejap saja lalai saat menggunakan mesin listrik dapat menyebabkan cedera diri yang serius.
11. **Gunakan alat pelindung diri. Selalu gunakan pelindung mata.** Peralatan pelindung seperti masker debu, sepatu pengaman anti-selip, helm pengaman, atau pelindung telinga yang digunakan untuk kondisi yang sesuai akan mengurangi risiko cedera diri.
12. **Cegah penyalakan yang tidak disengaja. Pastikan bahwa sakelar berada dalam posisi mati (off) sebelum menghubungkan mesin ke sumber daya dan/atau baterai, mengangkat atau membawanya.** Membawa mesin listrik dengan jari Anda pada sakelarnya atau mengalirkan listrik pada mesin listrik yang sakelarnya hidup (on) akan mengundang kecelakaan.
13. **Lepaskan kunci-kunci penyetel sebelum menghidupkan mesin listrik.** Kunci-kunci yang masih terpasang pada bagian mesin listrik yang berputar dapat menyebabkan cedera.
14. **Jangan meraih terlalu jauh. Jagalah pijakan dan keseimbangan sepanjang waktu.** Hal ini memungkinkan kendali yang lebih baik atas mesin listrik dalam situasi yang tidak diharapkan.
15. **Kenakan pakaian dengan baik. Jangan memakai pakaian yang kedodoran atau perhiasan. Jaga jarak antara rambut, pakaian, dan sarung tangan Anda dengan bagian mesin yang bergerak.** Pakaian kedodoran, perhiasan, atau rambut panjang dapat tersangkut pada bagian yang bergerak.
16. **Jika tersedia fasilitas untuk menghisap dan mengumpulkan debu, pastikan fasilitas tersebut terhubung listrik dan digunakan dengan baik.** Penggunaan pembersih debu dapat mengurangi bahaya yang terkait dengan debu.

#### **Penggunaan dan pemeliharaan mesin listrik**

17. **Jangan memaksa mesin listrik. Gunakan mesin listrik yang tepat untuk keperluan Anda.** Mesin listrik yang tepat akan menuntaskan pekerjaan dengan lebih baik dan aman pada kecepatan sesuai rancangannya.
  18. **Jangan gunakan mesin listrik jika sakelar tidak dapat menyala dan memaatkannya.** Mesin listrik yang tidak dapat dikendalikan dengan sakelarnya adalah berbahaya dan harus diperbaiki.
  19. **Cabut steker dari sumber listrik dan/atau baterai dari mesin listrik sebelum melakukan penyetelan, penggantian aksesor, atau menyimpan mesin listrik.** Langkah keselamatan preventif tersebut mengurangi risiko hidupnya mesin secara tak sengaja.
  20. **Simpan mesin listrik jauh dari jangkauan anak-anak dan jangan biarkan orang yang tidak paham mengenai mesin listrik tersebut atau petunjuk ini menggunakan mesin listrik.** Mesin listrik sangat berbahaya di tangan pengguna yang tak terlatih.
  21. **Rawatlah mesin listrik. Periksa apakah ada bagian bergerak yang tidak lurus atau macet, bagian yang pecah dan kondisi lain yang dapat mempengaruhi penggunaan mesin listrik. Jika rusak, perbaiki dahulu mesin listrik sebelum digunakan.** Banyak kecelakaan disebabkan oleh kurangnya pemeliharaan mesin listrik.
  22. **Jaga agar mesin pemotong tetap tajam dan bersih.** Mesin pemotong yang terawat baik dengan mata pemotong yang tajam tidak mudah macet dan lebih mudah dikendalikan.
  23. **Gunakan mesin listrik, aksesor, dan mata mesin, dll. sesuai dengan petunjuk ini, dengan memperhitungkan kondisi kerja dan jenis pekerjaan yang dilakukan.** Penggunaan mesin listrik untuk penggunaan yang lain dari peruntukan dapat menimbulkan situasi berbahaya.
- #### **Penggunaan dan pemeliharaan mesin bertenaga baterai**
24. **Isi ulang baterai hanya dengan pengisi daya yang ditentukan oleh pabrikan.** Pengisi daya yang cocok untuk satu jenis baterai dapat menimbulkan risiko kebakaran ketika digunakan untuk paket baterai yang lain.
  25. **Gunakan mesin listrik hanya dengan baterai yang telah ditentukan secara khusus.** Penggunaan baterai lain dapat menimbulkan risiko cedera dan kebakaran.
  26. **Ketika baterai tidak digunakan, jauhkan dari benda logam lain, seperti penjepit kertas, uang logam, kunci, paku, sekrup atau benda logam kecil lainnya, yang dapat menghubungkan satu terminal ke terminal lain.** Hubungan singkat terminal baterai dapat menyebabkan luka bakar atau kebakaran.
  27. **Pemakaian yang salah, dapat menyebabkan keluarnya cairan dari baterai; hindari kontak. Jika terjadi kontak secara tidak sengaja, bilas dengan air. Jika cairan mengenai mata, cari bantuan medis.** Cairan yang keluar dari baterai bisa menyebabkan iritasi atau luka bakar.

## Servis

28. Berikan mesin listrik untuk diperbaiki hanya kepada oleh teknisi yang berkualifikasi dengan menggunakan hanya suku cadang pengganti yang serupa. Hal ini akan menjamin terjaganya keamanan mesin listrik.
29. Patuhi petunjuk pelumasan dan penggantian aksesoris.
30. Jagalah agar gagang kering, bersih, dan bebas dari minyak dan gemuk.

GEB003-4

## ATURAN KESELAMATAN KHUSUS

JANGAN biarkan kenyamanan atau terbiasanya Anda dengan produk (karena penggunaan berulang) menggantikan kepatuhan yang ketat terhadap aturan keselamatan untuk mesin bor getar. Jika Anda menggunakan mesin listrik ini secara tidak aman atau tidak benar, Anda bisa mengalami cedera badan serius.

1. Kenakan pelindung telinga saat melakukan pengeboran tumbuk (impact drilling). Terpaan kebisingan dapat menyebabkan hilangnya pendengaran.
2. Gunakan gagang tambahan, jika disertakan bersama mesin ini. Kehilangan kendali dapat menyebabkan cedera.
3. Pegang mesin listrik pada permukaan genggam yang terisolasi saat melakukan pekerjaan bila mesin pemotong mungkin bersentuhan dengan kawat tersembunyi atau kabelnya sendiri. Aksesoris pemotong yang menyentuh kawat "hidup" dapat menyebabkan bagian logam pada mesin teraliri arus listrik dan menyengat pengguna.
4. Selalu pastikan Anda berdiri di atas alas yang kuat.  
Pastikan tidak ada orang di bawahnya bila Anda menggunakan mesin di tempat tinggi.
5. Pegang mesin kuat-kuat dengan kedua tangan.
6. Jauhkan tangan dari bagian yang berputar.
7. Jangan tinggalkan mesin dalam keadaan hidup. Jalankan mesin hanya ketika digenggam tangan.
8. Jangan menyentuh mata mesin atau benda kerja segera setelah pengoperasian; suhunya mungkin masih sangat panas dan dapat membakar kulit Anda.
9. Bahan tertentu mengandung zat kimia yang mungkin beracun. Hindari menghirup debu dan persentuhan dengan kulit. Ikuti data keselamatan bahan dari pemasok.

## SIMPAN PETUNJUK INI.

**⚠ PERINGATAN:**  
PENYALAHGUNAAN atau kelalaian mematuhi kaidah keselamatan yang tertera dalam petunjuk ini dapat menyebabkan cedera badan serius.

## PETUNJUK KESELAMATAN PENTING

### UNTUK BATERAI

1. Sebelum menggunakan baterai, bacalah semua petunjuk dan penandaan pada (1) pengisi daya baterai, (2) baterai, dan (3) produk yang menggunakan baterai.
2. Jangan membongkar baterai.
3. Jika waktu beroperasinya menjadi sangat singkat, segera hentikan penggunaan. Hal tersebut dapat menimbulkan risiko panas berlebih, kemungkinan mengalami luka bakar atau bahkan terjadi ledakan.
4. Jika elektrolit mengenai mata Anda, basuh dengan air bersih dan segera cari pertolongan medis. Hal tersebut dapat mengakibatkan hilangnya kemampuan penglihatan Anda.
5. Selalu tutup terminal baterai dengan tutup baterai ketika baterai tidak digunakan.
6. Jangan menghubungkan terminal baterai:
  - (1) Jangan menyentuh terminal dengan bahan penghantar listrik apapun.
  - (2) Hindari menyimpan baterai pada wadah yang berisi benda logam lain seperti paku, uang logam, dsb.
  - (3) Jangan membiarkan baterai terkena air atau kelembapan.  
Hubungan singkat baterai dapat menyebabkan aliran arus listrik yang besar, panas berlebih, kemungkinan mengalami luka bakar dan bahkan merusakkan pada baterai.
7. Jangan menyimpan mesin dan baterai pada lokasi dengan suhu yang bisa mencapai atau melebihi 50°C.
8. Jangan membuang baterai di tempat pembakaran sampah walaupun benar-benar rusak atau tidak bisa digunakan sama sekali. Baterai bisa meledak jika terbakar.
9. Hati-hati jangan sampai baterai jatuh atau terbentur.

## SIMPAN PETUNJUK INI.

### Tip untuk menjaga agar umur pemakaian baterai maksimum

1. Isi ulang baterai sebelum habis sama sekali. Selalu hentikan penggunaan mesin dan ganti baterai jika Anda melihat bahwa mesin kurang tenaga.
2. Jangan pernah mengisi ulang baterai yang sudah diisi penuh.  
Pengisian ulang yang berlebih memperpendek umur pemakaian baterai.
3. Isi ulang baterai pada suhu ruangan 10°C - 40°C. Biarkan baterai yang panas menjadi dingin terlebih dahulu sebelum diisi ulang.
4. Isi ulang baterai Nikel Metal Hidrida (NiMH) ketika tidak digunakan selama lebih dari enam bulan.

## DESKRIPSI FUNGSI

### ⚠️ PERHATIAN:

- Selalu pastikan bahwa mesin dimatikan dan baterai dilepas sebelum menyetel atau memeriksa kerja mesin.

### Memasang atau melepas baterai (Gb. 1)

- Selalu matikan mesin sebelum memasukkan atau melepas baterai.
- Untuk melepas baterai, tarik dari mesin sambil menekan tombol pada kedua sisi baterai.
- Untuk memasukkan baterai, sejajarkan lidah baterai dengan alur pada rumah dan masukkan ke dalam tempatnya. Selalu masukkan seluruhnya sampai terkunci pada tempatnya dan terdengar bunyi klik kecil. Jika tidak, bisa terlepas dari mesin secara tidak sengaja, menyebabkan luka pada Anda atau orang di sekitar Anda.
- Jangan dipaksakan ketika memasukkan baterai. Jika baterai tidak bergeser dengan mudah, berarti tidak dimasukkan dengan benar.

### Kerja saklar (Gb. 2)

#### ⚠️ PERHATIAN:

- Sebelum memasukkan baterai pada mesin, pastikan picu saklar berfungsi dengan baik dan kembali ke posisi "OFF" saat dilepas.

Untuk menjalankan mesin, cukup tarik picu saklarnya. Kecepatan mesin akan meningkat dengan menambah tekanan pada picu saklar. Lepaskan picu saklar untuk berhenti.

### Kerja saklar pembalik arah (Gb. 3)

Mesin ini memiliki saklar pembalik arah untuk mengubah arah putaran. Tekan tuas saklar pembalik arah dari sisi A untuk putaran searah jarum jam atau dari sisi B untuk putaran berlawanan arah jarum jam. Ketika tuas saklar pembalik arah pada posisi netral, picu saklar tidak bisa ditarik.

#### ⚠️ PERHATIAN:

- Selalu periksa arah putaran sebelum penggunaan.
- Gunakan saklar pembalik arah hanya setelah mesin benar-benar berhenti. Mengubah arah putaran sebelum mesin berhenti dapat merusak mesin.
- Saat mesin tidak digunakan, selalu posisikan tuas saklar pembalik arah pada posisi netral.

### Perubahan kecepatan (Gb. 4)

Untuk mengubah kecepatan, pertama-tama matikan mesin dan kemudian geser tuas pengubah kecepatan ke sisi "2" untuk kecepatan tinggi atau "1" untuk kecepatan rendah. Pastikan bahwa tuas pengubah kecepatan diposisikan pada posisi yang tepat sebelum penggunaan. Gunakan kecepatan yang tepat untuk pekerjaan Anda.

#### ⚠️ PERHATIAN:

- Selalu posisikan tuas pengubah kecepatan sepenuhnya pada posisi yang tepat. Jika Anda menggunakan mesin dengan tuas pengubah kecepatan berada di posisi tengah antara sisi "1" dan sisi "2", mesin bisa rusak.
- Jangan menggunakan tuas pengubah kecepatan ketika mesin sedang bekerja. Mesin bisa rusak.

## Memilih mode kerja (Gb. 5)

Mesin ini menggunakan cincin pengubah mode kerja. Pilih salahsatu dari tiga mode yang sesuai untuk kebutuhan kerja Anda dengan menggunakan cincin ini. Untuk putaran saja, putar cincin sehingga tanda panah pada badan mesin mengarah ke tanda **Ⓢ** pada cincin. Untuk putaran dengan getar, putar cincin sehingga tanda panah mengarah ke tanda **Ⓣ** pada cincin. Untuk putaran dengan kopeling, putar cincin sehingga tanda panah mengarah ke tanda **Ⓜ** pada cincin.

#### ⚠️ PERHATIAN:

- Selalu posisikan cincin dengan benar pada tanda mode yang diinginkan. Jika Anda memakai mesin dengan cincin berada di posisi tengah antara kedua tanda mode alat bisa rusak.

## Menyetel torsi pengencangan (Gb. 6)

Torsi pengencangan bisa disetel dalam 16 tahap dengan memutar cincin penyetel sehingga skala tersebut disejajarkan dengan tanda panah pada badan mesin. Torsi pengencangannya minimum ketika angka 1 disejajarkan dengan tanda panah, dan maksimum ketika angka 16 disejajarkan dengan tanda panah. Sebelum penggunaan yang sebenarnya, pasang sekrup percobaan pada bahan atau potongan bahan lain untuk menentukan tingkat torsi yang dibutuhkan untuk keperluan tertentu.

## PERAKITAN

#### ⚠️ PERHATIAN:

- Selalu pastikan bahwa mesin dimatikan dan baterai dilepas sebelum melakukan pekerjaan apapun pada mesin.

## Memasang atau melepas mata obeng atau mata bor (Gb. 7)

Tahan cincin dan putar selongsong berlawanan arah jarum jam untuk membuka rahang cekam. Masukkan mata bor ke dalam cekam sejauh mungkin. Pegang cincin dengan kuat dan putar selongsong searah jarum jam untuk mengencangkan cekam. Untuk melepas mata bor, pegang cincin dan putar selongsong berlawanan arah jarum jam.

## PENGUNAAN

### Cara pengoperasian bor getar

#### ⚠️ PERHATIAN:

- Akan timbul gaya yang sangat kuat dan tiba-tiba pada mesin/mata mesin saat menembus lubang, bila lubang dipenuhi geram-geram atau partikel, atau bila menabrak besi-besi tulangan yang terpasang di dalam beton.

Pertama-tama, putar cincin pengubah mode kerja sehingga tanda panah pada badan mesin mengarah pada tanda **Ⓣ**. Cincin penyetel bisa disejajarkan pada tingkat torsi manapun untuk pengoperasian ini. Pastikan Anda menggunakan mata bor berujung tungsten-carbide.

Posisikan mata mesin pada lokasi yang diinginkan untuk membuat lubang, kemudian tarik picu saklarnya. Jangan

memaksa mesin listrik. Tekanan yang ringan akan memberi hasil yang terbaik. Jaga posisi mesin dan cegah agar tidak selip dari lubang. Jangan menambah tekanan bila lubang dipenuhi geram-geram atau partikel. Tetapi, nyalakan mesin tanpa putaran, lalu angkat mata mesin sedikit dari lubang. Dengan melakukan hal ini beberapa kali, lubang akan bersih dan pengeboran normal bisa dilanjutkan kembali.

## Penghembus angin (pilihan aksesori) (Gb. 8)

Setelah mengebor lubang, gunakan penghembus angin untuk membersihkan lubang dari debu.

## Pekerjaan pemasangan sekrup (Gb. 9)

Pertama-tama, putar cincin pengubah mode kerja sehingga tanda panah pada badan mesin mengarah pada tanda **1**. Setel cincin penyetel pada tingkat torsi yang tepat untuk pekerjaan Anda. Kemudian lakukan sebagaimana berikut.

Posisikan ujung mata obeng pada kepala sekrup dan beri tekanan pada mesin. Jalankan mesin dengan perlahan dan kemudian tingkatkan kecepatan secara bertahap. Lepas picu saklar segera setelah kopeling memotong.

### ⚠ PERHATIAN:

- Pastikan bahwa mata obeng dimasukkan lurus terhadap kepala sekrup, atau sekrup dan/atau mata bor bisa rusak.

### CATATAN:

- Ketika memasang sekrup kayu, lakukan pengeboran awal untuk membuat lubang pengarah agar mempermudah pemasangan sekrup dan untuk mencegah pecahnya benda kerja. Lihat tabel.

Diameter nominal sekrup kayu (mm)	Ukuran lubang pengarah yang dianjurkan (mm)
3,1	2,0 - 2,2
3,5	2,2 - 2,5
3,8	2,5 - 2,8
4,5	2,9 - 3,2
4,8	3,1 - 3,4
5,1	3,3 - 3,6
5,5	3,7 - 3,9
5,8	4,0 - 4,2
6,1	4,2 - 4,4

006421

## Pekerjaan pengeboran

Pertama-tama, putar cincin penyetel sehingga penunjuk mengarah pada tanda **2**. Kemudian lakukan sebagaimana berikut.

### Mengebor kayu

Bila mengebor kayu, hasil terbaik didapat dengan mata bor kayu yang dilengkapi sekrup pemandu. Sekrup pemandu mempermudah pengeboran dengan menarik mata bor ke dalam benda kerja.

### Mengebor logam

Untuk mencegah mata bor selip ketika mulai membuat lubang, buatlah takik dengan penitik lalu palu pada titik

yang akan dilubangi. Letakkan ujung mata bor pada takik dan mulailah membor.

Gunakan cairan pendingin saat mengebor logam.

Pengecualian untuk besi dan kuningan yang harus dibor kering.

### ⚠ PERHATIAN:

- Menekan mesin secara berlebihan tidak akan mempercepat pengeboran. Bahkan, tekanan yang berlebihan hanya akan merusak mata bor Anda, mengurangi kinerja mesin dan memperpendek usia mesin.
- Akan timbul gaya yang sangat kuat pada mesin/mata bor saat menembus lubang. Pegang mesin dengan kuat dan berhati-hatilah saat mata bor menembus benda kerja.
- Mata bor yang macet dapat dicabut dengan menyatel saklar pembalik arah agar mesin berputar berlawanan arah untuk mundur. Tetapi, mesin bisa saja mundur mendadak jika Anda tidak memegangnya dengan kuat.
- Tahan benda kerja berukuran kecil dengan penjepit atau alat penahan lain.
- Jika mesin terus-menerus digunakan sampai baterai habis, istirahatkan mesin selama 15 menit sebelum melakukannya lagi dengan baterai yang penuh.

## PERAWATAN

### ⚠ PERHATIAN:

- Selalu pastikan bahwa mesin dimatikan dan baterai dilepas sebelum melakukan pemeriksaan atau perawatan.

Untuk menjaga KEAMANAN dan KEANDALAN mesin, perbaikan, perawatan atau penyetelan lain harus dilakukan oleh Pusat Layanan Resmi Makita dan selalu gunakan suku cadang pengganti buatan Makita.

## PILIHAN AKSESORI

### ⚠ PERHATIAN:

- Dianjurkan untuk menggunakan aksesori atau perangkat tambahan ini dengan mesin Makita Anda yang ditentukan dalam petunjuk ini. Penggunaan aksesori atau perangkat tambahan lain bisa menyebabkan risiko cedera pada manusia. Hanya gunakan aksesori atau perangkat tambahan sesuai dengan peruntukannya.

Jika Anda memerlukan bantuan lebih rinci berkenaan dengan aksesori ini, tanyakan pada Pusat Layanan Makita terdekat.

- Mata bor getar berujung tungsten-carbide
- Mata mesin Phillips
- Mata bor bercelah
- Mata soket
- Penghembus angin
- Kaca mata pelindung
- Macam-macam jenis baterai dan pengisi daya asli buatan Makita.
- Rakitan bantalan karet
- Bonet wol
- Bantalan poles busa
- Tas jinjing plastik

**CATATAN:**

- Beberapa item dalam daftar tersebut mungkin sudah termasuk dalam paket mesin sebagai aksesori standar. Hal tersebut dapat berbeda dari satu negara ke negara lainnya.

# TIẾNG VIỆT

## Giải thích về hình vẽ tổng thể

- |                           |                                   |                   |
|---------------------------|-----------------------------------|-------------------|
| 1. Nút                    | 7. Cần thay đổi tốc độ            | 13. Trụ ngoài     |
| 2. Hộp pin                | 8. Vòng thay đổi chế độ hoạt động | 14. Vòng          |
| 3. Cần khởi động công tắc | 9. Mũi tên                        | 15. Vận chạt      |
| 4. Cần công tắc đảo chiều | 10. Vạch chia độ                  | 16. Bóng thổi khí |
| 5. Tốc độ thấp            | 11. Vòng điều chỉnh               |                   |
| 6. Tốc độ cao             | 12. Vạch chuẩn                    |                   |

## THÔNG SỐ KỸ THUẬT

Kiểu		8271D	8281D	8381D	8391D
Công suất	Thép	10 mm	10 mm	13 mm	13 mm
	Gỗ	25 mm	25 mm	25 mm	36 mm
	Bê-tông	8 mm	10 mm	10 mm	13 mm
	Vít bất gỗ	5,1 mm x 63 mm			6 mm x 75 mm
	Vít máy	6 mm			
Tốc độ không tải (phút <sup>-1</sup> )	Cao	0 - 1.300			
	Thấp	0 - 400			
Số nhát mỗi phút	Cao	0 - 19.500			
	Thấp	0 - 6.000			
Chiều dài tổng thể		210 mm	210 mm	218 mm	234 mm
Trọng lượng tịnh		1,6 kg	1,7 kg	1,7 kg	2,1 kg
Hiệu điện thế định mức		D.C. 12 V	D.C. 14,4 V	D.C. 14,4 V	D.C. 18 V

- Do chương trình nghiên cứu và phát triển liên tục của chúng tôi nên các thông số kỹ thuật trong đây có thể thay đổi mà không cần thông báo trước.
- Các thông số kỹ thuật và hộp pin có thể thay đổi tùy theo từng quốc gia.
- Trọng lượng có hộp pin tùy theo Quy trình EPTA tháng 01/2003

### Ký hiệu

Phần dưới đây cho biết các ký hiệu được dùng cho thiết bị. Đảm bảo rằng bạn hiểu rõ ý nghĩa của các ký hiệu này trước khi sử dụng.



..... Đọc tài liệu hướng dẫn.

END004-3

chính hoặc dụng cụ máy (không dây) được vận hành bằng pin của bạn.

### An toàn tại nơi làm việc

- Giữ nơi làm việc sạch sẽ và có đủ ánh sáng.** Nơi làm việc bừa bộn hoặc tối thường dễ gây ra tai nạn.
- Không vận hành dụng cụ máy trong môi trường cháy nổ, ví dụ như môi trường có sự hiện diện của các chất lỏng, khí hoặc bụi dễ cháy.** Các dụng cụ máy tạo tia lửa điện có thể làm bụi hoặc khí bốc cháy.
- Giữ trẻ em và người ngoài tránh xa nơi làm việc khi đang vận hành dụng cụ máy.** Sự xao lãng có thể khiến bạn mất khả năng kiểm soát.

ENE039-1

### Mục đích sử dụng

Dụng cụ này được thiết kế cho việc khoan đóng vào gạch, bê-tông, đá cũng như cho việc khoan không cần đóng vào gỗ, kim loại, gốm và nhựa.

GEA006-2

## Cảnh báo An toàn Chung dành cho Dụng cụ Máy

**⚠ CẢNH BÁO!** Đọc tất cả các cảnh báo an toàn và hướng dẫn. Việc không tuân theo các cảnh báo và hướng dẫn có thể dẫn đến điện giật, hỏa hoạn và/hoặc thương tích nghiêm trọng.

## Lưu giữ tất cả cảnh báo và hướng dẫn để tham khảo sau này.

Thuật ngữ “dụng cụ máy” trong các cảnh báo đề cập đến dụng cụ máy (có dây) được vận hành bằng nguồn điện

### An toàn về điện

- Phích cắm của dụng cụ máy phải khớp với ổ cắm. Không bao giờ được sửa đổi phích cắm theo bất kỳ cách nào. Không sử dụng bất kỳ phích chuyên đổi nào với các dụng cụ máy được nối đất (tiếp đất). Các phích cắm còn nguyên vẹn và ổ cắm phù hợp sẽ giảm nguy cơ điện giật.**
- Tránh để cơ thể tiếp xúc với các bề mặt nối đất hoặc tiếp đất như đường ống, bộ tản nhiệt, bếp ga và tủ lạnh.** Nguy cơ bị điện giật sẽ tăng lên nếu cơ thể bạn được nối đất hoặc tiếp đất.
- Không để dụng cụ máy tiếp xúc với mưa hoặc trong điều kiện ẩm ướt.** Nước lọt vào dụng cụ máy sẽ làm tăng nguy cơ điện giật.

7. **Không làm dụng dây. Không bao giờ sử dụng dây đề mang, kéo hoặc tháo phích cắm dụng cụ máy. Giữ dây tránh xa nguồn nhiệt, dầu, các mếp sắc hoặc các bộ phận chuyển động.** Dây bị hỏng hoặc bị rối sẽ làm tăng nguy cơ điện giật.
8. **Khi vận hành dụng cụ máy ngoài trời, hãy sử dụng dây kéo dài phù hợp cho việc sử dụng ngoài trời.** Việc dùng dây phù hợp cho việc sử dụng ngoài trời sẽ giảm nguy cơ điện giật.
9. **Nếu bắt buộc phải vận hành dụng cụ máy ở nơi ẩm ướt, hãy sử dụng nguồn điện có bộ ngắt mạch nối đất khi rò điện (GFCI).** Việc sử dụng GFCI sẽ giảm nguy cơ điện giật.

#### **An toàn cá nhân**

10. **Luôn tỉnh táo, quan sát những việc bạn đang làm và sử dụng những phán đoán theo kinh nghiệm khi vận hành dụng cụ máy. Không sử dụng dụng cụ máy khi bạn đang mệt mỏi hoặc chịu ảnh hưởng của ma túy, rượu hay thuốc.** Chỉ một khoảnh khắc không tập trung khi đang vận hành dụng cụ máy cũng có thể dẫn đến thương tích cá nhân nghiêm trọng.
11. **Sử dụng thiết bị bảo hộ cá nhân. Luôn đeo thiết bị bảo vệ mắt.** Các thiết bị bảo hộ như mũ bảo hộ chống bụi, giày an toàn chống trượt, mũ bảo hộ hay thiết bị bảo vệ thính giác được sử dụng trong các điều kiện thích hợp sẽ giúp giảm thương tích cá nhân.
12. **Tránh vô tình khởi động dụng cụ máy. Đảm bảo công tắc ở vị trí off (tắt) trước khi nối nguồn điện và/hoặc bộ pin, cắm hoặc mang dụng cụ máy.** Việc mang dụng cụ máy khi đang đặt ngón tay ở vị trí công tắc hoặc cấp điện cho dụng cụ máy đang bật thường dễ gây ra tai nạn.
13. **Tháo mọi khóa hoặc chia vận điều chỉnh trước khi bật dụng cụ máy.** Việc chia vận hoặc khóa vẫn còn gắn vào bộ phận quay của dụng cụ máy có thể dẫn đến thương tích cá nhân.
14. **Không với quá cao. Luôn giữ thăng bằng tốt và có chỗ để chân phù hợp.** Điều này cho phép điều khiển dụng cụ máy tốt hơn trong những tình huống bất ngờ.
15. **Án mặc phù hợp. Không mang quần áo rộng hay đeo đồ trang sức. Giữ tóc, quần áo và giày tay tránh xa các bộ phận chuyển động.** Quần áo rộng, đồ trang sức hay tóc dài có thể mắc vào các bộ phận chuyển động.
16. **Nếu các thiết bị được cung cấp để kết nối các thiết bị thu gom và hút bụi, hãy đảm bảo chúng được kết nối và sử dụng hợp lý.** Việc sử dụng thiết bị thu gom bụi có thể làm giảm những mối nguy hiểm liên quan đến bụi.

#### **Sử dụng và bảo quản dụng cụ máy**

17. **Không dùng lực đối với dụng cụ máy. Sử dụng đúng dụng cụ máy cho công việc của bạn.** Sử dụng đúng dụng cụ máy sẽ giúp thực hiện công việc tốt hơn và an toàn hơn theo giá trị định mức được thiết kế của dụng cụ máy đó.
18. **Không sử dụng dụng cụ máy nếu công tắc không bật và tắt được dụng cụ máy đó.** Mọi dụng cụ máy không thể điều khiển được bằng công tắc đều rất nguy hiểm và cần được sửa chữa.
19. **Rút phích cắm ra khỏi nguồn điện và/hoặc ngắt kết nối bộ pin khỏi dụng cụ máy trước khi thực hiện bất kỳ công việc điều chỉnh, thay đổi phụ**

**tung hay cắt giữ dụng cụ máy nào.** Những biện pháp an toàn phòng ngừa này sẽ giảm nguy cơ vô tình khởi động dụng cụ máy.

20. **Cắt giữ các dụng cụ máy không sử dụng ngoài tầm với của trẻ em và không cho bất kỳ người nào không có hiểu biết về dụng cụ máy hoặc các hướng dẫn này vận hành dụng cụ máy.** Dụng cụ máy sẽ rất nguy hiểm nếu được sử dụng bởi những người dùng chưa qua đào tạo.
21. **Bảo quản dụng cụ máy. Kiểm tra tình trạng lệch trục hoặc bó kẹt của các bộ phận chuyển động, hiện tượng nứt vỡ của các bộ phận và mọi tình trạng khác mà có thể ảnh hưởng đến hoạt động của dụng cụ máy. Nếu có hỏng hóc, hãy sửa chữa dụng cụ máy trước khi sử dụng.** Nhiều tai nạn xảy ra là do không bảo quản tốt dụng cụ máy.
22. **Luôn giữ cho dụng cụ cắt được sắc bén và sạch sẽ.** Những dụng cụ cắt được bảo quản tốt có mếp cắt sắc sẽ ít bị kẹt hơn và dễ điều khiển hơn.
23. **Sử dụng dụng cụ máy, phụ tùng và đầu dụng cụ cắt, v.v... theo các hướng dẫn này, có tính đến điều kiện làm việc và công việc được thực hiện.** Việc sử dụng dụng cụ máy cho các công việc khác với công việc dự định có thể gây nguy hiểm.

#### **Sử dụng và bảo quản dụng cụ dùng pin**

24. **Chỉ sạc pin lại với bộ sạc do nhà sản xuất quy định.** Bộ sạc phù hợp với một loại bộ pin này có thể gây ra nguy cơ hỏa hoạn khi được dùng cho một bộ pin khác.
25. **Chỉ sử dụng các dụng cụ máy với các bộ pin được quy định có thể.** Việc sử dụng bất cứ bộ pin nào khác có thể gây ra thương tích và hỏa hoạn.
26. **Khi không sử dụng bộ pin, hãy giữ tránh xa các đồ vật khác bằng kim loại, chẳng hạn như kẹp giấy, tiền xu, chìa khóa, đinh, ốc vít hoặc các vật nhỏ bằng kim loại mà có thể làm nối tắt các đầu cực pin.** Các đầu cực pin bị đoản mạch có thể gây cháy hoặc hỏa hoạn.
27. **Trong điều kiện sử dụng quá mức, pin có thể bị chảy nước; hãy tránh tiếp xúc. Nếu vô tình tiếp xúc với pin bị chảy nước, hãy rửa sạch bằng nước. Nếu dung dịch từ pin tiếp xúc với mắt, cần đi khám bác sĩ thêm.** Dung dịch chảy ra từ pin có thể gây rát da hoặc bỏng.

#### **Bảo dưỡng**

28. **Đề nghị viên sửa chữa đủ trình độ bảo dưỡng dụng cụ máy của bạn và chỉ sử dụng các bộ phận thay thế đồng nhất.** Việc này sẽ đảm bảo duy trì được độ an toàn của dụng cụ máy.
29. **Tuân theo hướng dẫn dành cho việc bôi trơn và thay phụ tùng.**
30. **Giữ tay cầm khô, sạch, không dính dầu và mỡ.**

GEB003-4

## **CÁC QUY ĐỊNH AN TOÀN CỤ THỂ**

**KHÔNG** được để sự thoải mái hay quen thuộc với sản phẩm (có được do sử dụng nhiều lần) thay thế việc tuân thủ nghiêm ngặt các quy định về an toàn dành cho máy khoan búa này. Nếu bạn sử dụng dụng cụ này không an toàn hoặc không đúng cách, bạn có thể bị thương tích cá nhân nghiêm trọng.

1. **Mang đồ bảo vệ tai khi khoan và chạm.** Việc đề tai tiếp xúc với tiếng ồn có thể gây giảm thính lực.



- Sử dụng các tay cầm phụ nếu được cung cấp kèm theo dụng cụ. Không điều khiển dụng cụ sẽ gây ra thương tích cho con người.
- Cầm dụng cụ máy bằng bề mặt kẹp cách điện khi thực hiện một thao tác trong đó bộ phận cắt có thể tiếp xúc với dây dẫn kín hoặc dây của chính nó. Bộ phận cắt tiếp xúc với dây dẫn "có điện" có thể khiến các bộ phận kim loại bị hở của dụng cụ máy "có điện" và làm cho người vận hành bị điện giật.
- Luôn đảm bảo bạn có chỗ đặt chân vững chắc. Đảm bảo rằng không có ai ở bên dưới khi sử dụng dụng cụ ở trên cao.
- Cầm chắc dụng cụ bằng cả hai tay.
- Giữ tay tránh xa các bộ phận quay.
- Không để mặc dụng cụ hoạt động. Chỉ vận hành dụng cụ khi cầm trên tay.
- Không chạm vào mũi khoan hay vật gia công ngay sau khi vận hành; chúng có thể rất nóng và có thể gây bỏng da.
- Một số vật liệu có thể chứa hoá chất độc. Phải cẩn trọng tránh hít phải bụi và để tiếp xúc với da. Tuân theo dữ liệu an toàn của nhà cung cấp vật liệu.

## LƯU GIỮ CÁC HƯỚNG DẪN NÀY.

### ⚠ CẢNH BÁO:

VIỆC DÙNG SAI hoặc không tuân theo các quy định về an toàn được nêu trong tài liệu hướng dẫn này có thể dẫn đến thương tích cá nhân nghiêm trọng.

ENC004-1

## CÁC HƯỚNG DẪN AN TOÀN QUAN TRỌNG

### ĐỐI VỚI HỘP PIN

- Trước khi sử dụng hộp pin, hãy đọc kỹ tất cả các hướng dẫn và dấu hiệu cảnh báo trên (1) bộ sạc pin, (2) pin và (3) sản phẩm sử dụng pin.
- Không tháo rời hộp pin.
- Nếu thời gian vận hành ngắn hơn nhiều, dừng việc vận hành ngay lập tức. Điều này có thể gây nguy cơ quá nhiệt, gây cháy hoặc thậm chí gây nổ.
- Nếu chất điện phân dính vào mắt bạn, hãy rửa sạch bằng nước sạch và đi khám bác sĩ ngay lập tức. Việc này có thể làm giảm thị lực của mắt bạn.
- Luôn che các điện cực của pin bằng nắp đậy pin khi không sử dụng hộp pin.
- Không được đoán mạch hộp pin:
  - Không được chạm vào các đầu cực bằng vật liệu dẫn điện.
  - Tránh cất giữ hộp pin trong chỗ chứa có các vật kim loại khác như đinh, tiền xu, v.v...
  - Không được để hộp pin tiếp xúc với nước hoặc mưa.  
Pin bị đoản mạch có thể gây ra dòng điện lớn, gây quá nhiệt, cháy và thậm chí gây phóng điện.
- Không được cất giữ dụng cụ và hộp pin ở những nơi nhiệt độ có thể vượt quá 50°C.

- Không được thiêu hủy hộp pin ngay cả khi nó đã bị hư hỏng nghiêm trọng hoặc hoàn toàn không sử dụng được. Hộp pin có thể nổ khi bị đốt cháy.
- Cẩn thận không được làm rơi hoặc va đập mạnh vào pin.

## LƯU GIỮ CÁC HƯỚNG DẪN NÀY.

### Lời khuyên để duy trì tối đa tuổi thọ pin

- Sạc hộp pin trước khi pin bị xả điện hoàn toàn. Luôn dừng việc vận hành dụng cụ và sạc pin khi bạn nhận thấy công suất dụng cụ bị giảm.
- Không bao giờ sạc lại một hộp pin đã được sạc đầy.  
Việc sạc điện thêm nữa sẽ làm giảm tuổi thọ pin.
- Sạc hộp pin ở nhiệt độ phòng từ 10°C - 40°C. Để pin đang nóng nguội lại dần trước khi sạc pin.
- Sạc hộp pin loại Nickel Metal Hydride khi bạn không sử dụng nó hơn sáu tháng.

## MÔ TẢ CHỨC NĂNG

### ⚠ CẢNH BÁO:

- Luôn đảm bảo rằng đã tắt dụng cụ và tháo hộp pin ra trước khi thực hiện việc điều chỉnh hoặc kiểm tra chức năng trên dụng cụ.

### Lắp hoặc tháo gỡ hộp pin (Hình 1)

- Luôn tắt dụng cụ trước khi lắp hoặc tháo hộp pin.
- Để tháo hộp pin, hãy rút nó ra từ dụng cụ trong lúc bấm các nút ở cả hai bên hộp pin.
- Để lắp hộp pin vào, hãy canh chính phần chốt của hộp pin vào phần rãnh nằm trên vỏ và trượt chốt vào vị trí. Luôn trượt hết mức đến khi nào chốt khóa đóng vào vị trí với một tiếng click nhẹ. Nếu không, chốt có thể vô tình rơi ra khỏi dụng cụ, gây thương tích cho bạn hoặc người khác xung quanh.
- Không được ấn mạnh khi lắp hộp pin. Nếu hộp pin không nhẹ nhàng trượt vào vị trí, có nghĩa là pin vẫn chưa được lắp đúng.

### Hoạt động công tắc (Hình 2)

#### ⚠ CẢNH BÁO:

- Trước khi lắp hộp pin vào dụng cụ, luôn luôn kiểm tra xem cần khởi động công tắc có hoạt động bình thường hay không và trả về vị trí "OFF" (TẮT) khi nhả ra.

Để khởi động dụng cụ, chỉ cần kéo cần khởi động công tắc. Tốc độ dụng cụ được giảm xuống bằng cách tăng lực ép lên cần khởi động công tắc. Nhả cần khởi động công tắc ra để dừng.

### Hoạt động công tắc đảo chiều (Hình 3)

Dụng cụ này có một công tắc đảo chiều để thay đổi chiều xoay. Nhấn nút công tắc đảo chiều từ mặt A để xoay theo chiều kim đồng hồ hoặc từ mặt B để xoay ngược chiều kim đồng hồ.

Khi nút công tắc đảo chiều ở vị trí chính giữa, không thể kéo cần khởi động công tắc được.

#### ⚠ CẢNH BÁO:

- Luôn luôn kiểm tra hướng xoay trước khi vận hành.
- Chỉ sử dụng công tắc đảo chiều sau khi dụng cụ đã dừng hoàn toàn. Việc thay đổi hướng xoay trước khi dụng cụ dừng có thể làm hỏng dụng cụ.

- Khi vận hành dụng cụ, luôn đặt nút công tắc đảo chiều ở vị trí chính giữa.

## Thay đổi tốc độ (Hình 4)


Để thay đổi tốc độ, đầu tiên hãy tắt dụng cụ và trượt cần thay đổi tốc độ sang vị trí “2” để có tốc độ cao hoặc vị trí “1” để có tốc độ thấp. Đảm bảo rằng cần thay đổi tốc độ được đặt ở đúng vị trí trước khi vận hành. Sử dụng đúng tốc độ cho công việc của bạn.


### ⚠ CẢN TRỌNG:


- Luôn để cần thay đổi tốc độ vào thật đúng vị trí. Nếu bạn vận hành dụng cụ với cần thay đổi tốc độ đặt ở một nửa giữa vị trí “1” và “2”, dụng cụ có thể bị hư hỏng.
- Không được sử dụng cần thay đổi tốc độ trong lúc dụng cụ đang chạy. Dụng cụ có thể bị hư hỏng.

## Chọn chế độ hoạt động (Hình 5)

Dụng cụ này có thể tận dụng vòng chuyển chế độ hoạt động. Chọn một trong ba chế độ phù hợp với nhu cầu công việc của bạn bằng vòng này.

Đề vào chế độ chỉ khoan, hãy xoay vòng sao cho mũi tên trên thân dụng cụ chỉ về phía dấu hiệu  trên vòng.

Nếu để khoan đóng búa, hãy xoay vòng sao cho mũi tên chỉ đến dấu hiệu  trên vòng.

Đề vào chế độ xoay có ly hợp, hãy xoay vòng sao cho mũi tên chỉ đến dấu hiệu  trên vòng.

### ⚠ CẢN TRỌNG:

- Luôn luôn chỉnh vòng này vào đúng dấu hiệu của chế độ mà bạn muốn. Nếu bạn vận hành dụng cụ này với vòng chuyển chế độ hoạt động được đặt ở giữa các dấu hiệu, dụng cụ có thể bị hư hỏng.

## Điều chỉnh lực vận xiết (Hình 6)

Lực vận xiết có thể được điều chỉnh theo 16 nấc bằng cách xoay vòng điều chỉnh để canh chỉnh các độ chia theo mũi tên trên thân dụng cụ. Lực vận xiết đạt tốt nhất khi số 1 được căn chỉnh vào mũi tên và đạt tối đa khi số 16 được căn chỉnh vào mũi tên.

Trước khi vận hành thực tế, hãy bắt thử một ốc vít vào vật liệu hoặc mẫu vật liệu tương tự để xác định mức lực xoắn nào cần cho ứng dụng cụ thể đó.

## LẮP RÁP

### ⚠ CẢN TRỌNG:

- Luôn đảm bảo rằng đã tắt dụng cụ và tháo hộp pin ra trước khi thực hiện bất cứ thao tác nào trên dụng cụ.

## Lắp đặt hoặc tháo mũi vận hoặc mũi khoan (Hình 7)

Giữ vòng và xoay trụ ngoài ngược chiều kim đồng hồ để mở miệng ngàm. Đặt đầu mũi vào trong ngàm kẹp hết mức có thể. Giữ chặt vòng và xoay trụ ngoài theo chiều kim đồng hồ để vận chặt ngàm.

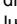
Để tháo mũi khoan, giữ vòng và xoay trụ ngoài ngược chiều kim đồng hồ.

## VẬN HÀNH

### Thao tác khoan búa

#### ⚠ CẢN TRỌNG:

- Sẽ có lực xoắn rất lớn và bất ngờ trên dụng cụ/mũi khoan lúc lỗ khoan được xuyên thủng, khi lỗ khoan bắt đầu bị kẹt bởi các mảnh vụn và hạt hoặc khi dụng vào các thép gia cường có trong bê-tông.

Đầu tiên, xoay vòng thay đổi chế độ hoạt động sao cho mũi tên trên thân máy chỉ vào dấu hiệu . Vòng điều chỉnh có thể được căn chỉnh theo bất cứ cấp độ lực vận nào cho thao tác này.

Đảm bảo rằng bạn sử dụng mũi khoan có đầu bit tungsten-cacbua.

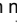
Định vị đầu mũi vào vị trí mong muốn cho lỗ khoan, sau đó kéo cần khởi động công tắc. Không dùng lực đối với dụng cụ máy. Ấn nhẹ sẽ mang lại kết quả tốt nhất. Giữ cho dụng cụ ở đúng vị trí và ngăn không bị trượt khỏi lỗ khoan.

Không được ấn mạnh khi lỗ khoan bắt đầu bị nghẽn bởi các mảnh vụn và các hạt. Thay vào đó, hãy chạy dụng cụ ở chế độ chờ, sau đó tháo riêng mũi khoan khỏi lỗ. Bằng cách lặp lại thao tác này vài lần, lỗ khoan sẽ được sạch sẽ và có thể tiếp tục khoan bình thường.

### Bóng thổi khí (phụ kiện tùy chọn) (Hình 8)

Sau khi khoan lỗ, sử dụng bóng thổi khí để vệ sinh bụi bắn ra khỏi lỗ.

### Thao tác bắt vít (Hình 9)

Đầu tiên, xoay vòng thay đổi chế độ hoạt động sao cho mũi tên trên thân máy chỉ vào dấu hiệu . Chỉnh nút điều chỉnh đến cấp độ lực vận phù hợp với công việc của bạn. Sau đó tiến hành như sau.

Đặt đỉnh mũi vận vào trong đầu vít và nhấn dụng cụ. Khởi động dụng cụ từ từ, sau đó tăng tốc độ dần dần. Nhả cần khởi động công tắc ngay khi bộ ly hợp vừa ngắt.

#### ⚠ CẢN TRỌNG:

- Đảm bảo rằng mũi vận được lắp thẳng đứng vào đầu vít, nếu không vít và/hoặc mũi vận có thể bị hư hỏng.

#### LƯU Ý:

- Khi vận các vít bắt gỗ, hãy khoan trước các lỗ định hướng để giúp bắt vít dễ dàng hơn và ngăn vật gia công bị chia tách. Xem sơ đồ.

Đường kính danh định của vít bắt gỗ (mm)	Kích thước khuyến cáo của lỗ khoan dẫn (mm)
3,1	2,0 - 2,2
3,5	2,2 - 2,5
3,8	2,5 - 2,8
4,5	2,9 - 3,2
4,8	3,1 - 3,4
5,1	3,3 - 3,6
5,5	3,7 - 3,9
5,8	4,0 - 4,2
6,1	4,2 - 4,4

006421

## Thao tác khoan

Đầu tiên, xoay nút điều chỉnh sao cho vạch chuẩn chỉ vào dấu 8. Sau đó tiến hành như sau.

### Khoan vào gỗ

Khi khoan vào gỗ, để có kết quả tốt nhất cần sử dụng các mũi khoan dùng để khoan gỗ và vít dẫn. Vít dẫn giúp khoan dễ dàng hơn bằng cách kéo đầu mũi vào trong vật gia công.

### Khoan vào kim loại

Để phòng ngừa đầu mũi bị trượt ra lúc bắt đầu khoan lỗ, hãy tạo một vết lõm bằng cách dùng dùi đục tâm và đóng vào điểm cần khoan. Đặt đầu mũi khoan vào chỗ lõm này và bắt đầu khoan.

Sử dụng dầu nhờn để cắt khi khoan kim loại. Trừ các trường hợp dùng sắt và đồng thau cần phải được khoan khô.

### ⚠ CẢN TRỌNG:

- Nhấn dụng cụ quá mức sẽ không tăng tốc độ khoan lên được. Trên thực tế, việc nhấn mạnh thêm này sẽ chỉ làm gây hỏng đầu mũi của bạn, giảm hiệu năng và tuổi thọ hoạt động của dụng cụ.
- Sẽ có lực quán tính rất lớn trên dụng cụ/mũi khoan lúc lỗ khoan được xuyên thủng. Giữ chặt dụng cụ và chuẩn bị ghim lực quán tính lại khi mũi khoan xuyên thủng vật gia công.
- Mũi khoan bị kẹt có thể được tháo ra đơn giản bằng cách đặt công tắc đảo chiều sang chế độ xoay ngược lại để rút mũi khoan ra. Tuy nhiên, dụng cụ có thể quay ngược ra bất ngờ nếu bạn không giữ chặt.
- Luôn luôn giữ chặt các vật gia công có kích thước nhỏ bằng kim hoặc dụng cụ kẹp tương tự.
- Nếu dụng cụ được vận hành liên tục cho đến khi hộp pin đã bị xả kiệt, hãy để dụng cụ nghỉ 15 phút trước khi thực hiện tiếp bằng pin mới.

## BẢO TRÌ

### ⚠ CẢN TRỌNG:

- Hãy luôn chắc chắn rằng dụng cụ đã được tắt và hộp pin đã được tháo ra trước khi cố gắng thực hiện việc kiểm tra hay bảo dưỡng.

Để đảm bảo AN TOÀN và TIN CẬY của sản phẩm, việc sửa chữa hoặc bất cứ thao tác bảo trì, điều chỉnh nào đều phải được thực hiện bởi các Trung tâm Dịch vụ Được Ủy quyền của Makita (Makita Authorized Service Center), luôn sử dụng các phụ tùng thiết bị thay thế của Makita.

## PHỤ KIỆN TỰY CHỌN

### ⚠ CẢN TRỌNG:

- Các phụ kiện hoặc phụ tùng gắn thêm này được khuyến cáo sử dụng với dụng cụ Makita của bạn theo như quy định trong hướng dẫn này. Việc sử dụng bất cứ phụ kiện hoặc phụ tùng gắn thêm nào khác đều có thể gây ra rủi ro thương tích cho người. Chỉ sử dụng phụ kiện hoặc phụ tùng gắn thêm cho mục đích đã quy định sẵn của chúng.

Nếu bạn cần hỗ trợ để biết thêm chi tiết về những phụ kiện này, hãy liên hệ với Trung tâm Dịch vụ của Makita tại địa phương của bạn.

- Đầu mũi búa bịt Tungsten-cacbua
- Đầu mũi Phillip

- Đầu rãnh tiết diện nhỏ
- Mũi đầu tuýp
- Bóng thổi khí
- Kính bảo hộ
- Các loại pin và bộ sạc chính hãng của Makita
- Bộ tấm đệm cao su
- Tấm len dạng mũ
- Đệm đánh bóng bằng bọt xốp
- Hộp nhựa chứa dụng cụ

### LƯU Ý:

- Một vài mục trong danh sách có thể được bao gồm trong gói dụng cụ làm phụ kiện tiêu chuẩn. Các thông số kỹ thuật có thể thay đổi tùy theo từng quốc gia.

## คำอธิบายของมุมมองทั่วไป

- |                            |                            |                      |
|----------------------------|----------------------------|----------------------|
| 1. ปุ่ม                    | 7. ก้านเปลี่ยนความเร็ว     | 13. ปลอก             |
| 2. ตลับแบตเตอรี่           | 8. แหวนเปลี่ยนโหมดการทำงาน | 14. แหวน             |
| 3. สวิตช์สั่งงาน           | 9. ลูกศร                   | 15. ชัน              |
| 4. ก้านสวิตช์เปลี่ยนทิศทาง | 10. มาตรวัด                | 16. กระเปาะยางเป่าลม |
| 5. ความเร็วต่ำ             | 11. แหวนปรับ               |                      |
| 6. ความเร็วสูง             | 12. ลูกศรชี้               |                      |

## ข้อมูลจำเพาะ

รุ่น		8271D	8281D	8381D	8391D	
ความสามารถในการเจาะ	โลหะ	10 มม.	10 มม.	13 มม.	13 มม.	
	ไม้	25 มม.	25 มม.	25 มม.	36 มม.	
	คอนกรีต	8 มม.	10 มม.	10 มม.	13 มม.	
	สกรูยึดไม้	5.1 มม. x 63 มม.				6 มม. x 75 มม.
	สกรูยึดโลหะ	6 มม.				
ความเร็วขณะหมุนเปล่า (รอบต่อนาที)	สูง	0 - 1,300				
	ต่ำ	0 - 400				
อัตราเจาะกระแทกต่อนาที	สูง	0 - 19,500				
	ต่ำ	0 - 6,000				
ความยาวโดยรวม		210 มม.	210 มม.	218 มม.	234 มม.	
น้ำหนักสุทธิ		1.6 กก.	1.7 กก.	1.7 กก.	2.1 กก.	
แรงดันไฟฟ้า		กระแสตรง 12 โวลต์	กระแสตรง 14.4 โวลต์	กระแสตรง 14.4 โวลต์	กระแสตรง 18 โวลต์	

- เนื่องจากมีการค้นคว้าวิจัยและพัฒนาอย่างต่อเนื่อง ข้อมูลจำเพาะในเอกสารฉบับนี้อาจเปลี่ยนแปลงได้โดยไม่ต้องแจ้งให้ทราบล่วงหน้า
- ข้อมูลจำเพาะและตลับแบตเตอรี่อาจแตกต่างกันไปในแต่ละประเทศ
- น้ำหนักรวมตลับแบตเตอรี่ตามข้อบังคับของ EPTA 01/2003

END004-3

GEA006-2

## สัญลักษณ์

ต่อไปนี้เป็นสัญลักษณ์ที่ใช้สำหรับอุปกรณ์ โปรดศึกษาความหมายของสัญลักษณ์ให้เข้าใจก่อนการใช้งาน



..... อ่านคู่มือการใช้งาน

ENE039-1

## จุดประสงค์ของเครื่องมือ

เครื่องมือนี้ใช้สำหรับเจาะกระแทกอิฐ คอนกรีต หิน และใช้สำหรับเจาะไม้ โลหะ เซรามิก และพลาสติก

คำเตือนด้านความปลอดภัยของ  
เครื่องมือไฟฟ้าทั่วไป

**⚠ คำเตือน** อ่านคำเตือนด้านความปลอดภัยและคำแนะนำทั้งหมด การไม่ปฏิบัติตามคำเตือนและคำแนะนำดังกล่าวอาจส่งผลให้เกิดไฟฟ้าช็อต ไฟไหม้ และ/หรือได้รับบาดเจ็บอย่างร้ายแรง

## เก็บรักษาคำเตือนและคำแนะนำทั้งหมดไว้เป็นข้อมูลอ้างอิงในอนาคต

คำว่า "เครื่องมือไฟฟ้า" ในคำเตือนนี้หมายถึงเครื่องมือไฟฟ้า (มีสาย) ที่ทำงานโดยใช้กระแสไฟฟ้าหรือเครื่องมือไฟฟ้า (ไร้สาย) ที่ทำงานโดยใช้แบตเตอรี่

## ความปลอดภัยของพื้นที่ทำงาน

1. ดูแลพื้นที่ทำงานให้มีความสะอาดและมีแสงไฟสว่าง พื้นที่กระจกกระจกหรือมีดที่บอบอาจนำไปสู่การเกิดอุบัติเหตุได้
2. อย่าใช้งานเครื่องมือไฟฟ้าในสภาพที่อาจเกิดการระเบิด เช่น ในสถานที่ที่มีของเหลว ก๊าซ หรือฝุ่นผงที่มีคุณสมบัติไวไฟ เครื่องมือไฟฟ้าจะสร้างประกายไฟเพื่อจุดชนวนฝุ่นผงหรือก๊าซดังกล่าว
3. ดูแลไม่ให้มีเด็ก ๆ หรือบุคคลอื่นอยู่ในบริเวณที่กำลังใช้เครื่องมือไฟฟ้า การมีสิ่งรบกวนสมาธิอาจทำให้คุณสูญเสียการควบคุม

## ความปลอดภัยด้านไฟฟ้า

4. ปลั๊กของเครื่องมือไฟฟ้าต้องพอดีกับเต้ารับ อย่าดัดแปลงปลั๊กไม่ว่ากรณีใด ๆ อย่าใช้ปลั๊กอะแดปเตอร์กับเครื่องมือไฟฟ้าที่ต่อสายดิน ปลั๊กที่ไม่ถูกดัดแปลงและเต้ารับไฟที่เข้ากันพอดีจะช่วยลดความเสี่ยงของการเกิดไฟฟ้าช็อต
5. ระวังอย่าให้ร่างกายสัมผัสกับพื้นผิวที่ต่อสายดิน เช่น ท่อเครื่องทำความร้อน เตาหุงต้ม และตู้เย็น มีความเสี่ยงที่จะเกิดไฟฟ้าช็อตสูงขึ้น หากร่างกายของคุณสัมผัสกับพื้น
6. อย่าให้เครื่องมือไฟฟ้าถูกน้ำหรืออยู่ในสภาพเปียกชื้น น้ำที่ไหลเข้าไปในเครื่องมือไฟฟ้าจะเพิ่มความเสี่ยงของการเกิดไฟฟ้าช็อต
7. อย่าใช้สายไฟอย่างที่ไม่เหมาะสม อย่าใช้สายไฟเพื่อยก ดึง หรือถอดปลั๊กเครื่องมือไฟฟ้า เก็บสายไฟให้ห่างจากความร้อน น้ำมัน ของมีคม หรือชิ้นส่วนที่เคลื่อนที่ สายที่ชำรุดหรือพันกันจะเพิ่มความเสี่ยงของการเกิดไฟฟ้าช็อต
8. ขณะที่ใช้งานเครื่องมือไฟฟ้านอกอาคาร ควรใช้สายต่อพ่วงที่เหมาะสมกับงานภายนอกอาคาร การใช้สายที่เหมาะสมกับงานภายนอกอาคารจะลดความเสี่ยงของการเกิดไฟฟ้าช็อต
9. หากต้องใช้งานเครื่องมือไฟฟ้าในสถานที่เปียกชื้น ให้ใช้อุปกรณ์ตัดวงจรเมื่อมีกระแสไฟฟ้ารั่วลงดิน (GFCI) การใช้ GFCI จะลดความเสี่ยงของการเกิดไฟฟ้าช็อต

## ความปลอดภัยส่วนบุคคล

10. ให้ระมัดระวังและสังเกตเสมอว่าคุณกำลังทำสิ่งใดอยู่ และใช้สามัญสำนึกในขณะที่ใช้งานเครื่องมือไฟฟ้า อย่าใช้งานเครื่องมือไฟฟ้าในขณะที่คุณกำลังเหนื่อย หรือในสภาพที่มีเมฆจากยาเสพติด เครื่องดื่ม แอลกอฮอล์ หรือการใช้ยา ช่วงเวลาที่ขาดความระมัดระวังเมื่อกำลังใช้งานเครื่องมือไฟฟ้าอาจทำให้คุณได้รับบาดเจ็บอย่างรุนแรง
11. ใช้อุปกรณ์ป้องกันส่วนบุคคล สวมแว่นตาป้องกันเสมอ อุปกรณ์ป้องกัน เช่น หน้ากากกันฝุ่น รองเท้านิรภัยกันลื่น หมวกนิรภัย หรือเครื่องป้องกันการได้ยินที่ใช้ในสภาพที่เหมาะสมจะช่วยลดการบาดเจ็บ
12. ป้องกันไม่ให้เปิดใช้งานโดยไม่ตั้งใจ ตรวจสอบว่าสวิตช์อยู่ในตำแหน่งปิดก่อนเชื่อมต่อกับแหล่งจ่ายไฟ และ/หรือ

- ชุดแบตเตอรี่ หรือก่อนการยกหรือถือเครื่องมือ การถอดนิ้วมือบริเวณสวิตช์เพื่อถือเครื่องมือไฟฟ้า หรือการชาร์จไฟ เครื่องมือไฟฟ้าในขณะที่เปิดสวิตช์อยู่อาจนำไปสู่การเกิดอุบัติเหตุ
13. นำกฎแฉับับแต่งหรือประแจออกก่อนที่จะเปิดเครื่องมือไฟฟ้า ประแจหรือกฎแฉับับแต่งค้างอยู่ในชิ้นส่วนที่หมุนได้ของเครื่องมือไฟฟ้าอาจทำให้คุณได้รับบาดเจ็บ
14. อย่าทำงานในระยะที่มืดอ้อม จัดทำารยีนและการทรงตัวให้เหมาะสมตลอดเวลา เพราะจะทำให้ควบคุมเครื่องมือไฟฟ้าได้ดีขึ้นในสถานการณ์ที่ไม่คาดคิด
15. แต่งกายให้เหมาะสม อย่าสวมเครื่องแต่งกายที่หลวมเกินไป หรือสวมเครื่องประดับ ดูแลไม่ให้เส้นผม เสื้อผ้า และถุงมืออยู่ใกล้ชิ้นส่วนที่เคลื่อนที่ เสื้อผ้า ร่ม ร่ม เครื่องประดับ หรือผมที่มีความยาวอาจเข้าไปติดในชิ้นส่วนที่เคลื่อนที่
16. หากมีการจัดอุปกรณ์สำหรับคุณและจัดเก็บฝุ่นไว้ในสถานที่ ให้ตรวจสอบว่าได้เชื่อมต่อและใช้งานอุปกรณ์นั้นอย่างเหมาะสม การใช้เครื่องดูดและจัดเก็บฝุ่นจะช่วยลดอันตรายที่เกิดจากฝุ่นผงได้

## การใช้และดูแลเครื่องมือไฟฟ้า

17. อย่าฝืนใช้เครื่องมือไฟฟ้า ใช้เครื่องมือไฟฟ้าที่เหมาะสมกับการใช้งานของคุณ เครื่องมือไฟฟ้าที่เหมาะสมจะทำให้ได้งานที่มีประสิทธิภาพและปลอดภัยกว่าตามขีดความสามารถของเครื่องที่ได้รับการออกแบบมา
18. อย่าใช้เครื่องมือไฟฟ้า หากสวิตช์ไม่สามารถเปิดปิดได้ เครื่องมือไฟฟ้าที่ควบคุมด้วยสวิตช์ไม่ได้เป็นอันตรายและต้องได้รับการซ่อมแซม
19. ถอดปลั๊กจากแหล่งจ่ายไฟ และ/หรือชุดแบตเตอรี่ออกจากเครื่องมือไฟฟ้าก่อนทำการปรับแต่ง เปลี่ยนอุปกรณ์เสริม หรือจัดเก็บเครื่องมือไฟฟ้า วิธีการป้องกันด้านความปลอดภัยดังกล่าวจะช่วยลดความเสี่ยงของการเปิดใช้งานเครื่องมือไฟฟ้าโดยไม่ตั้งใจ
20. จัดเก็บเครื่องมือไฟฟ้าที่ไม่ได้ใช้งานให้ห่างจากมือเด็ก และอย่าอนุญาตให้บุคคลที่ไม่คุ้นเคยกับเครื่องมือไฟฟ้า หรือคำแนะนำเหล่านี้ใช้งานเครื่องมือไฟฟ้า เครื่องมือไฟฟ้าจะเป็นอันตรายเมื่ออยู่ในมือของผู้ที่ไม่ได้รับการฝึกอบรม
21. การดูแลรักษาเครื่องมือไฟฟ้า ตรวจสอบการประกอบที่ไม่ถูกต้องหรือการเชื่อมต่อของชิ้นส่วนที่เคลื่อนที่ การแตกหักของชิ้นส่วน หรือสภาพอื่นๆ ที่อาจส่งผลกระทบต่อการทำงานของเครื่องมือไฟฟ้า หากมีความเสียหายให้นำเครื่องมือไฟฟ้าไปซ่อมแซมก่อนการใช้งาน อุบัติเหตุจำนวนมากเกิดจากการดูแลรักษาเครื่องมือไฟฟ้าอย่างไม่ถูกต้อง
22. ได้รับความคมและทำความสะอาดเครื่องมือการตัดอยู่เสมอ เครื่องมือการตัดที่มีการดูแลอย่างถูกต้องและมีขอบการตัดคมมักจะมีปัญหาติดขัดน้อยและควบคุมได้ง่ายกว่า

23. ใช้เครื่องมือไฟฟ้า อุปกรณ์เสริม และวัสดุสิ้นเปลือง ฯลฯ ตามคำแนะนำดังกล่าว พิจารณาสภาพการทำงานและงานที่จะลงมือทำ การใช้เครื่องมือไฟฟ้าเพื่อทำงานอื่นนอกเหนือจากที่กำหนดไว้อาจทำให้เกิดอันตราย

#### การใช้และดูแลเครื่องมือแบตเตอรี่

24. ชาร์จไฟใหม่ด้วยเครื่องชาร์จที่ระบุโดยผู้ผลิตเท่านั้น เครื่องชาร์จที่เหมาะสมสำหรับชุดแบตเตอรี่ประเภทหนึ่งอาจมีความเสี่ยงที่จะเกิดไฟไหม้เมื่อนำไปใช้กับชุดแบตเตอรี่อีกประเภทหนึ่ง
25. ใช้เครื่องมือไฟฟ้ากับชุดแบตเตอรี่ที่กำหนดมาโดยเฉพาะเท่านั้น การใช้ชุดแบตเตอรี่ประเภทอื่นอาจมีความเสี่ยงที่จะได้รับบาดเจ็บและไฟไหม้
26. เมื่อไม่ใช้งานชุดแบตเตอรี่ ให้เก็บห่างจากวัตถุที่เป็นโลหะอื่น ๆ เช่น คลิปหนีบกระดาษ เหรียญ กุญแจ กรรไกรตัดเล็บ สกรู หรือวัตถุที่เป็นโลหะขนาดเล็กอื่น ๆ ที่สามารถเชื่อมต่อขั้วหนึ่งกับขั้วอีกขั้วหนึ่งได้ การลัดวงจรขั้วแบตเตอรี่อาจทำให้อ่อนจัดหรือเกิดไฟไหม้
27. ในกรณีที่ใช้งานไม่ถูกต้อง อาจมีของเหลวไหลออกจากแบตเตอรี่ ให้หลีกเลี่ยงการสัมผัส หากสัมผัสโดนของเหลวโดยไม่ตั้งใจ ให้ล้างออกด้วยน้ำ หากของเหลวกระเด็นเข้าตา ให้รีบไปพบแพทย์ ของเหลวที่ไหลออกจากแบตเตอรี่อาจทำให้ผิวหนังระคายเคืองหรือไหม้

#### การบริการ

28. นำเครื่องมือไฟฟ้าเข้ารับบริการจากช่างซ่อมที่ผ่านการรับรองโดยใช้อะไหล่แบบเดียวกันเท่านั้น เพราะจะทำให้การใช้เครื่องมือไฟฟ้ามีความปลอดภัย
29. ปฏิบัติตามคำแนะนำในการหลอ่สนและการเปลี่ยนอุปกรณ์เสริม
30. ดูแลมือจับให้แห้ง สะอาด และไม่มันมันและจะระบปีเปื้อน

GEB003-4

### กฎเกี่ยวกับความปลอดภัยที่สำคัญ

อย่าให้ความไม่ระมัดระวังหรือความคุ้นเคยกับผลิตภัณฑ์ (จากการใช้งานซ้ำหลายครั้ง) อยู่เหนือการปฏิบัติตามกฎเกณฑ์ด้านความปลอดภัยในการใช้งานผลิตภัณฑ์อย่างเคร่งครัด หากคุณใช้เครื่องมือไฟฟ้าชนิดนี้อย่างไม่ปลอดภัยหรือไม่เหมาะสม คุณอาจจะได้รับบาดเจ็บร้ายแรงได้

1. สวมใส่อุปกรณ์ป้องกันเสียงเมื่อทำการเจาะกระแทก เสียงที่ดังเกินขนาดอาจทำให้สูญเสียการได้ยิน
2. ใช้มือจับเสริม ถ้ามีมากับเครื่อง การสูญเสียความควบคุมอาจทำให้เกิดการบาดเจ็บ
3. ถือเครื่องมือบริเวณมือจับที่เป็นฉนวน ขณะทำงานที่เครื่องมือตัดอาจสัมผัสกับสายไฟที่ซ่อนอยู่หรือสายไฟของเครื่องเอง เครื่องมือตัดที่สัมผัสกับสายไฟที่ “มีกระแสไฟฟ้าไหลผ่าน” อาจทำให้ส่วนที่เป็นโลหะของเครื่องมือไฟฟ้าที่

ไม่มีฉนวนหุ้ม “มีกระแสไฟฟ้าไหลผ่าน” และทำให้ผู้ปฏิบัติงานถูกไฟฟ้าช็อตได้

4. ตรวจสอบบริเวณที่ยืนให้มีความมั่นคงเสมอ หากใช้งานเครื่องมือในพื้นที่สูง ระวังอย่าให้มืออยู่ด้านล่าง
5. จับเครื่องมือให้แน่นด้วยมือทั้งสองข้าง
6. ระวังอย่าให้มือสัมผัสกับชิ้นส่วนที่หมุนได้
7. อย่าปล่อยให้เครื่องมือทำงานค้างไว้ ใช้งานเครื่องมือในขณะที่ถืออยู่เท่านั้น
8. ห้ามสัมผัสกับดอกไขควงหรือชิ้นงานทันทีที่ทำงานเสร็จ เนื่องจากดอกไขควงหรือชิ้นงานอาจมีความร้อนสูงและลวกผิวหนังของคุณได้
9. วัสดุบางอย่างอาจมีสารเคมีที่เป็นพิษ ระวังอย่าสูดดมฝุ่นหรือให้สารเหล่านั้นสัมผัสกับร่างกาย ปฏิบัติตามข้อมูลด้านความปลอดภัยของผู้ผลิตวัสดุ

### ปฏิบัติตามคำแนะนำเหล่านี้

#### ⚠ คำเตือน:

การใช้งานอย่างไม่เหมาะสมหรือการไม่ปฏิบัติตามกฎเกณฑ์ด้านความปลอดภัยในคู่มือใช้งานนี้อาจก่อให้เกิดการบาดเจ็บอย่างรุนแรง

ENC004-1

### คำแนะนำด้านความปลอดภัยที่สำคัญ

#### สำหรับดัลับแบตเตอรี่

1. ก่อนใช้งานดัลับแบตเตอรี่ ให้อ่านคำแนะนำและเครื่องหมายเตือนทั้งหมดบน (1) เครื่องชาร์จแบตเตอรี่ (2) แบตเตอรี่และ (3) ตัวผลิตภัณฑ์ที่ใช้แบตเตอรี่
2. ห้ามถอดแยกส่วนดัลับแบตเตอรี่
3. หากระยะเวลาที่สามารถใช้งานสั้นได้เกินไป ให้หยุดใช้งานทันที เนื่องจากอาจมีความเสี่ยงที่จะร้อนจัด ไหม้หรือระเบิดได้
4. หากสารละลายอิเล็กโทรไลต์กระเด็นเข้าตา ให้ล้างออกด้วยน้ำเปล่าและรีบไปพบแพทย์ทันที เนื่องจากอาจทำให้ตาบอด
5. ปิดช่องใส่แบตเตอรี่ด้วยฝาปิดเสมอเมื่อไม่ได้ใช้งานดัลับแบตเตอรี่
6. ห้ามลัดวงจรดัลับแบตเตอรี่:
  - (1) ห้ามแตะขั้วกับวัตถุที่เป็นสื่อนำไฟฟ้าใดๆ
  - (2) หลีกเลี่ยงการเก็บดัลับแบตเตอรี่ไว้ในภาชนะร่วมกับวัตถุที่เป็นโลหะ เช่น กรรไกรตัดเล็บ เหรียญ ฯลฯ
  - (3) อย่าให้ดัลับแบตเตอรี่ถูกน้ำหรือฝน แบตเตอรี่ลัดวงจรอาจทำให้เกิดการไหลของกระแสไฟฟ้า ร้อนจัด ไหม้หรือเสียหายได้

- ห้ามเก็บเครื่องมือและดัลล์แบตเตอรี่ไว้ในสถานที่ที่มีอุณหภูมิสูงถึงหรือเกิน 50°C
- ห้ามเผาทิ้งดัลล์แบตเตอรี่ แม้ว่าแบตเตอรี่จะหมดหรือเสียหายจนใช้การไม่ได้ก็ ดัลล์แบตเตอรี่อาจจะระเบิดในกองไฟ
- ระวังอย่าทำแบตเตอรี่ตกหล่นหรือกระทบกระแทก

## ปฏิบัติตามคำแนะนำเหล่านี้

### เคล็ดลับในการรักษาอายุการใช้งานของแบตเตอรี่ให้ยาวนานที่สุด

- ชาร์จประจุไฟฟ้าดัลล์แบตเตอรี่ก่อนที่ประจุไฟฟ้าจะหมดหยุดการใช้งานแล้วชาร์จประจุไฟฟ้าใหม่ทุกครั้งเมื่อคุณรู้สึกว่าการประจรมีกำลังลดลง
- อย่าชาร์จดัลล์แบตเตอรี่ที่ชาร์จประจุไฟฟ้าจนเต็มแล้ว การชาร์จประจุไฟฟ้ามากเกินไปอาจจะทำให้อายุการใช้งานของดัลล์แบตเตอรี่สั้นลง
- ชาร์จประจุไฟฟ้าดัลล์แบตเตอรี่ในห้องที่มีอุณหภูมิระหว่าง 10°C - 40°C ปกติอย่าให้ดัลล์แบตเตอรี่เย็นลงก่อนที่จะชาร์จไฟ
- ชาร์จไฟดัลล์แบตเตอรี่นิกเกิลเมทัลไฮดรไรด์ หากคุณไม่ได้ใช้งานนานกว่าหกเดือน

## คำอธิบายการทำงาน

### ⚠ ข้อควรระวัง:

- ตรวจสอบให้แน่ใจว่าสวิตช์เครื่องมืออยู่ในตำแหน่งปิดเครื่องและถอดดัลล์แบตเตอรี่ออกก่อนปรับตั้งหรือตรวจสอบการทำงานของเครื่องมือ

### การติดตั้งหรือถอดดัลล์แบตเตอรี่ (ภาพที่ 1)

- ปิดสวิตช์เครื่องมือก่อนทำการใส่หรือถอดดัลล์แบตเตอรี่ทุกครั้ง
- เมื่อต้องการถอดดัลล์แบตเตอรี่ ให้กดปุ่มที่ด้านข้างทั้งสองด้านของดัลล์แบตเตอรี่แล้วดึงดัลล์แบตเตอรี่ออกจากเครื่องมือ
- เมื่อต้องการใส่ดัลล์แบตเตอรี่ ให้จัดแนวสันบนดัลล์แบตเตอรี่ให้ตรงกับร่องบนตัวเครื่องมือ แล้วเลื่อนดัลล์แบตเตอรี่เข้าที่ ให้แน่ใจว่าใส่ดัลล์แบตเตอรี่เข้าจนสุดจนกระทั่งได้ยินเสียงคลิก ล็อคเข้าที่ ไม่เช่นนั้น ดัลล์แบตเตอรี่อาจหลุดออกจากเครื่องมือ ทำให้คุณหรือคนรอบข้างได้รับบาดเจ็บ
- อย่าใช้แรงมากเกินไปเมื่อใส่ดัลล์แบตเตอรี่ หากดัลล์แบตเตอรี่ไม่เลื่อนเข้าไปโดยง่าย แสดงว่าใส่ไม่ถูกต้อง

### การทำงานของสวิตช์ (ภาพที่ 2)

#### ⚠ ข้อควรระวัง:

- ก่อนใส่ดัลล์แบตเตอรี่ลงในเครื่องมือ ให้ตรวจสอบว่าสวิตช์สั่งงานสามารถทำงานได้อย่างถูกต้อง และกลับไปยังตำแหน่ง "OFF" เมื่อปล่อย

เปิดใช้เครื่องมือโดยดึงสวิตช์สั่งงาน ความเร็วเครื่องมือจะเพิ่มขึ้นเมื่อออกแรงกดที่สวิตช์สั่งงาน ปล่อยสวิตช์สั่งงานเพื่อหยุดทำงาน

### การทำงานของสวิตช์เปลี่ยนทิศทาง (ภาพที่ 3)

เครื่องมือนี้มีสวิตช์เปลี่ยนทิศทาง เพื่อใช้เปลี่ยนทิศทางการหมุน ดันก้านสวิตช์เปลี่ยนทิศทางจากด้าน A เพื่อให้หมุนตามเข็มนาฬิกา หรือจากด้าน B เพื่อให้หมุนทวนเข็มนาฬิกา เมื่อก้านสวิตช์เปลี่ยนทิศทางอยู่ในตำแหน่งปกติ สวิตช์สั่งงานจะไม่สามารถดึงได้

#### ⚠ ข้อควรระวัง:

- ตรวจสอบทิศทางการหมุนก่อนการใช้งานเสมอ
- ใช้สวิตช์เปลี่ยนทิศทางหลังเครื่องมือหยุดสนิทเท่านั้น การเปลี่ยนทิศทางการหมุนก่อนเครื่องมือหยุดสนิทอาจทำให้เครื่องมือเสียหายได้
- เมื่อไม่ได้ใช้งานเครื่องมือ ตรวจสอบให้แน่ใจว่าก้านสวิตช์เปลี่ยนทิศทางอยู่ในตำแหน่งปกติ

### การเปลี่ยนระดับความเร็ว (ภาพที่ 4)

เมื่อต้องการเปลี่ยนระดับความเร็ว ให้ปิดสวิตช์เครื่องมือก่อนแล้วจึงเลื่อนก้านเปลี่ยนระดับความเร็วไปที่ "2" สำหรับความเร็วสูง หรือ "1" สำหรับความเร็วต่ำ ตรวจสอบให้แน่ใจว่าก้านเปลี่ยนระดับความเร็วอยู่ในตำแหน่งที่ถูกต้องก่อนการใช้งาน ใช้ความเร็วที่เหมาะสมกับงานของคุณ

#### ⚠ ข้อควรระวัง:

- ตรวจสอบก้านเปลี่ยนระดับความเร็วให้อยู่ในตำแหน่งที่ถูกต้องเสมอ หากคุณใช้งานเครื่องมือโดยที่ก้านเปลี่ยนระดับความเร็วอยู่กึ่งกลางระหว่าง "1" และ "2" เครื่องมืออาจเสียหายได้
- ห้ามใช้ก้านเปลี่ยนระดับความเร็วในขณะที่เครื่องมือกำลังทำงานอยู่ เครื่องมืออาจเสียหายได้

### การเลือกโหมดการทำงาน (ภาพที่ 5)

เครื่องมือนี้มีโหมดหมุนสำหรับเปลี่ยนโหมดการทำงาน เลือกโหมดใดโหมดหนึ่งจากสามโหมดที่เหมาะสมกับการทำงานที่คุณต้องการ โดยใช้แหวนหมุน

สำหรับการหมุนเจาะอย่างเดียว ให้หมุนแหวนจนลูกศรที่อยู่บนตัวเครื่องมือชี้ไปยังเครื่องหมาย ๕ บนวงแหวน

สำหรับการหมุนเจาะกระทบ ให้หมุนแหวนจนลูกศรที่อยู่บนตัว

เครื่องมือชี้ไปยังเครื่องหมาย ๖ บนวงแหวน

สำหรับการหมุนโดยคลัทซ์ทำงาน ให้หมุนแหวนจนลูกศรที่อยู่บนตัวเครื่องมือชี้ไปยังเครื่องหมาย ๘ บนวงแหวน

#### ⚠ ข้อควรระวัง:

- หมุนแหวนไปยังเครื่องหมายที่คุณต้องการจนสุด หากคุณใช้งานเครื่องมือโดยที่แหวนอยู่กึ่งกลางระหว่างสัญลักษณ์โหมด เครื่องมืออาจเสียหายได้

## การปรับตั้งแรงบิดขันแน่น (ภาพที่ 6)

แรงบิดขันแน่นสามารถปรับตั้งได้ 16 ระดับโดยการหมุนแหวนปรับ จุลจตุรศรที่ตรงกับเลขบอกระดับบนตัวเครื่องมือ แรงบิดขันแน่นมีน้อยที่สุดเมื่อหมุนหมายเลข 1 มาไว้ที่ลูกศร และสูงสุดเมื่อหมายเลข 16 อยู่ตรงกับลูกศร

ก่อนที่จะทำงานจริง ให้ลองทดสอบขันสลักลงในวัสดุหรือชิ้นวัสดุที่เหมือนกันเพื่อกำหนดว่าระดับแรงบิดเท่าใดที่ต้องการสำหรับการใช้ งานนั้นๆ

## การประกอบ

### ⚠ ข้อควรระวัง:

- ตรวจสอบให้แน่ใจว่าสวิตช์เครื่องมืออยู่ในตำแหน่งปิดเครื่อง และถอดด้ามตัดเครื่องออกจากตำแหน่งการใดๆ กับเครื่องมือ

## การติดตั้งและถอดดอกสว่านหรือหัวบ็อกซ์ (ภาพที่ 7)

ยึดแหวนไว้ และหมุนปลอกทวนเข็มนาฬิกาเพื่อเปิดปากหัวจับ ใส ดอกสว่านลงไปให้หัวจับจนสุด ยึดแหวนไว้ และหมุนปลอกทวนเข็มนาฬิกาเพื่อขันแน่นหัวจับ

การถอดดอกสว่าน ให้ยึดแหวนไว้และหมุนปลอกทวนเข็มนาฬิกา

## การใช้งาน

### การใช้งานการเจาะกระแทก

#### ⚠ ข้อควรระวัง:

- จะมีแรงบิดบนเครื่องมือ/ดอกสว่านอย่างมากทันทีขณะเจาะรู ทะลุ เมื่อมีเศษวัสดุอุดตันที่รู หรือเมื่อปะทะกับเหล็กเสริมใน คอนกรีต

ขั้นแรก ให้หมุนแหวนเปลี่ยนโหมดการทำงานให้ลูกศรบนตัวเครื่องมือชี้ไปยังเครื่องหมาย J แหวนปรับแรงบิดนั้นสามารถหมุนไปให้ตรงกับระดับแรงบิดใดก็ได้ในการทำงานนี้

ใช้ดอกสว่านปลายทั้งสแตนคาร์ไบด์

วางตำแหน่งดอกสว่านที่ตำแหน่งที่ต้องการเจาะรู จากนั้นกด สวิตช์สั่งงาน อยู่ในใช้เครื่องมือ การใช้แรงกดเบาๆ จะให้ผลดีที่สุด จับเครื่องมือให้อยู่ในตำแหน่งไว้และไม่ให้เครื่องมือสั่นหลุดออกมาจากรูที่เจาะ

ห้ามใช้แรงกดมากขึ้นเมื่อมีเศษโลหะ หรือวัสดุอุดตันที่รู ให้ใช้งาน เครื่องมือที่รอบเดินเบาแทน จากนั้นดึงดอกสว่านบางส่วนออกมาจากรู การทำแบบนี้ซ้ำหลายๆ ครั้งจะทำให้รูสะอาด และสามารถทำการเจาะได้ตามปกติ

### กระเปาะยางเป่าลม (อุปกรณ์เสริม) (ภาพที่ 8)

หลังการเจาะรู ใช้กระเปาะยางเป่าลมเพื่อทำความสะอาดฝุ่นออกจากรู

## การขันแน่นสลัก (ภาพที่ 9)

ขั้นแรก ให้หมุนแหวนเปลี่ยนโหมดการทำงานให้ลูกศรบนตัวเครื่องมือชี้ไปยังเครื่องหมาย 1 หมุนแหวนปรับไปยังระดับแรงบิดที่เหมาะสมกับงานของคุณ จากนั้นทำตามขั้นตอนต่อไปนี้ วางปลายดอกไขควงที่หัวสลักและออกแรงดันเครื่องมือ เริ่มใช้งาน เครื่องมือที่ความเร็วต่ำ แล้วค่อยๆ เพิ่มความเร็ว ปลดสวิตช์สั่งงานทันทีที่ติดตั้งทำงาน

### ⚠ ข้อควรระวัง:

- ตรวจสอบให้แน่ใจว่าวางดอกไขควงตรงกับหัวสลัก ไม่เช่นนั้น สลักและ/หรือดอกไขควงอาจเสียหายได้

### หมายเหตุ:

- เมื่อขันสลักยึดไม้ ให้เจาะรูนำไว้ก่อนเพื่อให้ขันได้ง่ายขึ้นและเพื่อป้องกันไม่ให้ชิ้นงานแยกออกจากกัน โปรดดูที่ตาราง

เส้นผ่านศูนย์กลางปรากฏของสลักยึดไม้ (มม.)	ขนาดรูนำที่แนะนำ (มม.)
3.1	2.0 - 2.2
3.5	2.2 - 2.5
3.8	2.5 - 2.8
4.5	2.9 - 3.2
4.8	3.1 - 3.4
5.1	3.3 - 3.6
5.5	3.7 - 3.9
5.8	4.0 - 4.2
6.1	4.2 - 4.4

006421

### การเจาะ

ขั้นแรกให้หมุนแหวนปรับจุลจตุรศรไปที่เครื่องหมาย 8 จากนั้นทำตามขั้นตอนต่อไปนี้

### การเจาะไม้

เพื่อให้ได้ผลดีในการเจาะไม้ ควรใช้สว่านเจาะไม้ควบคู่กับสลักรูนำ สลักรูนำจะช่วยให้การเจาะง่ายขึ้น โดยการดึงดอกสว่านลงในชิ้นงาน

### การเจาะโลหะ

เพื่อป้องกันดอกสว่านเลื่อนเมื่อเริ่มเจาะรู ให้ทำรอยตัดด้วยเหล็กเจาะนำคู่ขนานและคั่นในจุดที่จะเจาะ วางปลายดอกสว่านที่รอยตัดและเริ่มเจาะ

ใช้สารหล่อลื่นสำหรับกัดตัดเมื่อเจาะโลหะ ยกเว้นการเจาะเหล็กและทองเหลือง ซึ่งควรเจาะแบบแห้ง

### ⚠ ข้อควรระวัง:

- การออกแรงกดบนเครื่องมือไม่ช่วยให้การเจาะเร็วขึ้น ตามข้อเท็จจริงแล้ว แรงกดที่มากเกินไปจะทำให้ปลายดอกสว่านเสียหาย ลดประสิทธิภาพและอายุการใช้งานของเครื่องมือ



- จะมีแรงกดบนเครื่องมือ/ดอกสว่านอย่างมากขณะเจาะรู จับเครื่องมือให้แน่น และระมัดระวังเมื่อดอกสว่านเริ่มเจาะทะลุชิ้นงาน
- ดอกสว่านที่ติดอยู่ที่ชิ้นงานสามารถนำออกมาได้ง่ายโดยการใช้งานสวิตช์เปลี่ยนทิศทางเพื่อเปลี่ยนทิศทางการหมุนของดอกสว่านให้ถอยออกจากชิ้นงาน อย่างไรก็ตาม เครื่องมืออาจจะถอยออกทันทีโดยที่คุณไม่ทันตั้งตัว คุณจึงควรจับเครื่องมือไว้ให้แน่น
- ยึดชิ้นงานขนาดเล็กด้วยปากกาจับงาน หรืออุปกรณ์จับยึดที่คล้ายคลึงกันเสมอ
- หากใช้งานเครื่องมืออย่างต่อเนื่องจนกระทั่งกลับแบตเตอรี่หมดไฟ ให้พักเครื่องมือไว้ประมาณ 15 นาทีก่อนใส่แบตเตอรี่ที่ชาร์จไฟใหม่

#### หมายเหตุ:

- อุปกรณ์บางรายการอาจจะรวมอยู่ในชุดอุปกรณ์พื้นฐานของผลิตภัณฑ์ ซึ่งอาจแตกต่างกันไปในแต่ละประเทศ

## การบำรุงรักษา

### ⚠ ข้อควรระวัง:

- ตรวจสอบให้แน่ใจว่าสวิตช์เครื่องมืออยู่ในตำแหน่งปิดเครื่อง และถอดปลั๊กแบตเตอรี่ออกก่อนทำการตรวจสอบหรือบำรุงรักษา

เพื่อความปลอดภัยและความน่าเชื่อถือของผลิตภัณฑ์ ควรให้ศูนย์บริการที่ผ่านการรับรองจาก Makita เป็นผู้ดำเนินการซ่อมแซมบำรุงรักษา และทำการปรับตั้งอื่นๆ นอกจากนี้ให้ใช้อะไหล่ของแท้จาก Makita เสมอ

## อุปกรณ์เสริม

### ⚠ ข้อควรระวัง:

- ขอแนะนำให้ใช้เฉพาะอุปกรณ์เสริมหรืออุปกรณ์ต่อพ่วงเหล่านี้กับเครื่องมือ Makita ที่ระบุในคู่มือ การใช้อุปกรณ์เสริมหรืออุปกรณ์ต่อพ่วงอื่นๆ อาจมีความเสี่ยงที่จะได้รับบาดเจ็บ ใช้ อุปกรณ์เสริมหรืออุปกรณ์ต่อพ่วงตามวัตถุประสงค์ที่ระบุไว้เท่านั้น

หากคุณต้องการทราบรายละเอียดเกี่ยวกับอุปกรณ์เสริมเหล่านี้ โปรดสอบถามศูนย์บริการ Makita ใกล้บ้านคุณ

- ดอกสว่านเจาะกระแทกปลายทั้งสแตนเลสไบต์
- ดอกไขควงปากแฉก
- ดอกไขควงปากแบน
- หัวบ็อกซ์
- กระจเปาะยางเป่าลม
- แวนตานีรภัย
- แบตเตอรี่และเครื่องชาร์จของแท้แบบต่างๆ ของ Makita
- ชุดลูกลอยขูด
- ลูกขีดขวนแกะ
- ฟองน้ำขัดเงา
- กระจเป่าถือพลาสติก





**Makita Corporation**

Anjo, Aichi, Japan

[www.makita.com](http://www.makita.com)

884801-379

TRD