

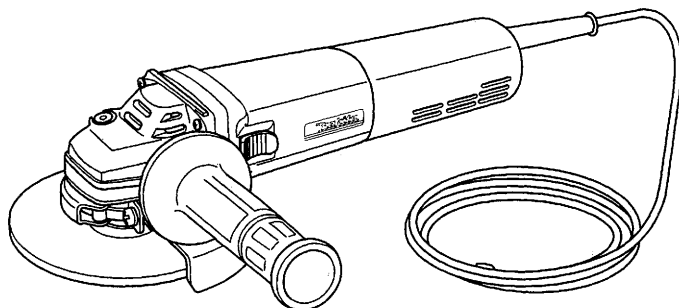


Angle Grinder

100 mm 9560/9563

115 mm 9561/9564

125 mm 9562/9565



SPECIFICATIONS

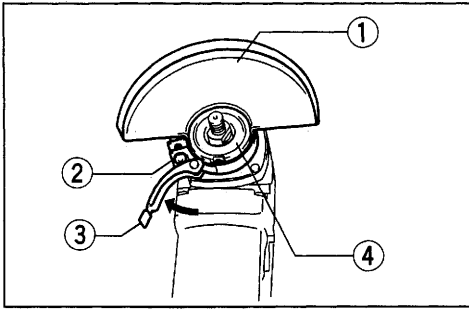
Model	9560	9561	9562
Depressed center wheel diameter	100 mm	115 mm	125 mm
Spindle thread	M10	M14	M14
No load speed (min ⁻¹)	11,000	11,000	11,000
Overall length	289 mm	289 mm	289 mm
Net weight	1.7 kg	1.7 kg	1.7 kg

Model	9563	9564	9565
Depressed center wheel diameter	100 mm	115 mm	125 mm
Spindle thread	M10	M14	M14
No load speed (min ⁻¹)	11,000	11,000	11,000
Overall length	299 mm	289 mm	299 mm
Net weight	1.8 kg	1.8 kg	1.8 kg

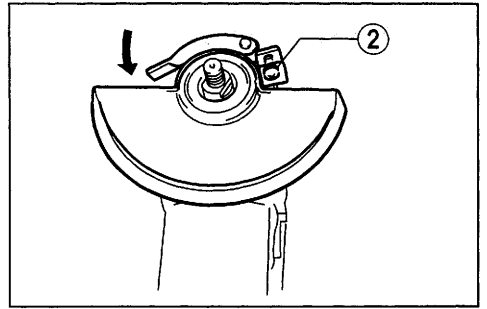
-
- Due to our continuing program of research and development, the specifications herein are subject to change without notice.
 - Note: Specifications may differ from country to country.

Power supply

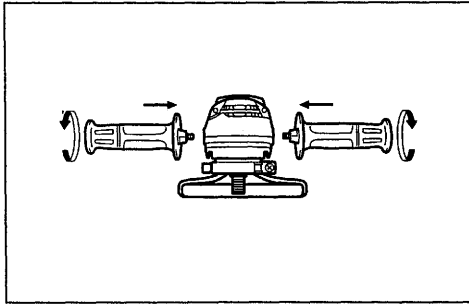
The machine should be connected only to a power supply of the same voltage as indicated on the nameplate, and can only be operated on single-phase AC supply.



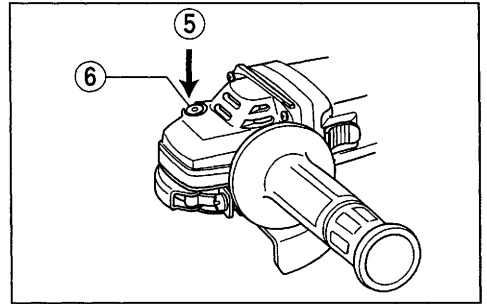
1



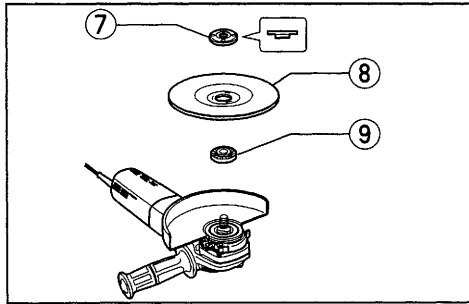
2



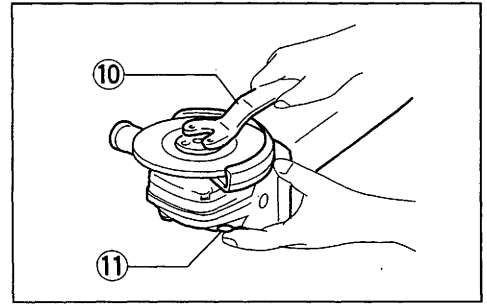
3



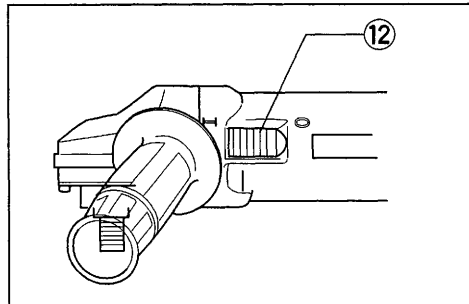
4



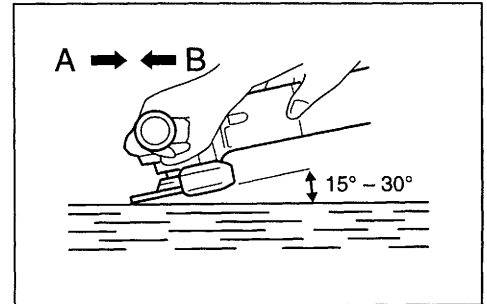
5



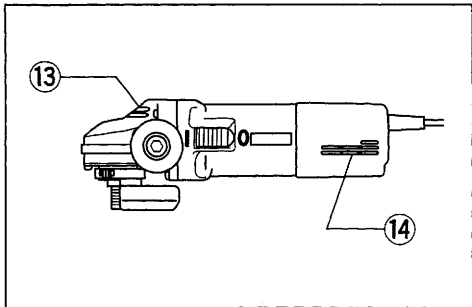
6



7



8



9

Symbols

The following show the symbols used for the machine. Be sure that you understand their meaning before use.



Read instruction manual.



DOUBLE INSULATION



Wear eye and ear protections

- ① Wheel cover
- ② Screw
- ③ Lever
- ④ Bearing box
- ⑤ Press

- ⑥ Shaft lock
- ⑦ Lock nut
- ⑧ Depressed center wheel
- ⑨ Inner flange
- ⑩ Lock nut wrench

- ⑪ Shaft lock
- ⑫ Switch lever
- ⑬ Exhaust vent
- ⑭ Inhalation vent

SAFETY INSTRUCTIONS

Warning! When using electric machines, basic safety precautions should always be followed to reduce the risk of fire, electric shock and personal injury, including the following. Read all these instructions before attempting to operate this product and save these instructions.

For safe operation:

- 1. Keep work area clean**
Cluttered areas and benches invite injuries.
- 2. Consider work area environment**
Don't expose power machines to rain. Don't use power machines in damp or wet locations. Keep work area well lit. Don't use power machines in presence of flammable liquids or gases.
- 3. Guard against electric shock**
Prevent body contact with grounded surfaces (e.g. pipes, radiators, ranges, refrigerators).
- 4. Keep children away**
Do not let visitors contact machine or extension cord. All visitors should be kept away from work area.
- 5. Store idle machines**
When not in use, machines should be stored in dry, high, or locked-up place, out of the reach of children.
- 6. Don't force machine**
It will do the job better and safer at the rate for which it was intended.
- 7. Use right machine**
Don't force small machines or attachments to do the job of a heavy duty machine. Don't use machines for purposes not intended; for example, don't use circular saw for cutting tree limbs or logs.
- 8. Dress properly**
Do not wear loose clothing or jewelry. They can be caught in moving parts. Rubber gloves and non-skid footwear are recommended when working outdoors. Wear protective hair covering to contain long hair.
- 9. Use safety glasses**
Also use face or dust mask if cutting operation is dusty.
- 10. Connect dust extraction equipment**
If devices are provided for the connection of dust extraction and collection facilities, ensure these are connected and properly used.
- 11. Don't abuse cord**
Never carry machine by cord or yank it to disconnect it from receptacle. Keep cord from heat, oil and sharp edges.

12. Secure work

Use clamps or a vise to hold work. It's safer than using your hand and it frees both hands to operate machine.

13. Don't overreach

Keep proper footing and balance at all times.

14. Maintain machines with care

Keep machines sharp and clean for better and safer performance. Follow instructions for lubricating and changing accessories. Inspect machine cords periodically and, if damaged, have repaired by authorized service facility. Inspect extension cords periodically and replace if damaged. Keep handles dry, clean and free from oil and grease.

15. Disconnect machines

When not in use, before servicing, and when changing accessories such as blades, bits and cutters.

16. Remove adjusting keys and wrenches

Form the habit of checking to see that keys and adjusting wrenches are removed from machine before turning it on.

17. Avoid unintentional starting

Don't carry plugged-in machine with finger on switch. Be sure switch is off when plugging in.

18. Outdoor use extension cords

When machine is used outdoors, use only extension cords intended for use outdoors and so marked.

19. Stay alert

Watch what you are doing. Use common sense. Do not operate machine when you are tired.

20. Check damaged parts

Before further use of the machine, a guard or other part that is damaged should be carefully checked to determine that it will operate properly and perform its intended function. Check for alignment of moving parts, binding of moving parts, breakage of parts, mounting, and any other conditions that may affect its operation. A guard or other part that is damaged should be properly repaired or replaced by an authorized service center unless otherwise indicated elsewhere in this instruction manual. Have defective switches replaced by an authorized service center. Do not use machine if switch does not turn it on and off.

21. Warning

The use of any other accessory or attachment other than recommended in this operating instruction or the catalog may present a risk of personal injury.

22. Have your machine repaired by an expert

This electric appliance is in accordance with the relevant safety rules. Repairing of electric appliances may be carried out only by experts otherwise it may cause considerable danger for the user.

ADDITIONAL SAFETY RULES ENB038-3

1. Always wear safety goggles and ear protectors during operation.
2. Always be sure that the tool is switched off and unplugged before carrying out any work on the tool.
3. Keep guards in place.
4. Use only wheels with correct size and wheels having a maximum operating speed at least as high as the highest No Load Speed marked on the tool's nameplate. When using depressed center wheels, be sure to use only fiberglass-reinforced wheels.
5. Check the wheel carefully for cracks or damage before operation. Replace cracked or damaged wheel immediately.
6. Observe the instructions of the manufacturer for correct mounting and use of wheels. Handle and store wheels with care.
7. Do not use separate reducing bushings or adaptors to adapt large hole abrasive wheels.
8. Use only flanges specified for this tool.
9. Do not damage the spindle, the flange (especially the installing surface) or the lock nut. Damage to these parts could result in wheel breakage.
10. For tools intended to be fitted with threaded hole wheel, ensure that the thread in the wheel is long enough to accept the spindle length.
11. Before using the tool on an actual workpiece, test run the tool at the highest no load speed for at least 30 seconds in a safe position. Stop immediately if there is any vibration or wobbling that could indicate poor installation or a poorly balanced wheel. Check the tool to determine the cause.
12. Check that the workpiece is properly supported.
13. Hold the tool firmly.
14. Keep hands away from rotating parts.
15. Make sure the wheel is not contacting the workpiece before the switch is turned on.
16. Use the specified surface of the wheel to perform the grinding.
17. Do not use cutting off wheel for side grinding.
18. Watch out for flying sparks. Hold the tool so that sparks fly away from you and other persons or flammable materials.
19. Pay attention that the wheel continues to rotate after the tool is switched off.
20. Do not touch the workpiece immediately after operation; it may be extremely hot and could burn your skin.

21. Position the tool so that the power cord always stays behind the tool during operation.

22. If working place is extremely hot and humid, or badly polluted by conductive dust, use a short-circuit breaker (30 mA) to assure operator safety.

23. Do not use the tool on any materials containing asbestos.

24. Do not use water or grinding lubricant.

SAVE THESE INSTRUCTIONS.

OPERATING INSTRUCTIONS

Installing wheel guard (Fig. 1 & 2)

Important:

Always be sure that the tool is switched off and unplugged before installing or removing the wheel guard.

Pull the lever in the direction of the arrow after loosening the screw.

Install the wheel cover on the bearing box by adjusting the convex of the wheel cover to the concave of the bearing box.

Turn the wheel cover by 180 degrees. Fasten it with the screw after pulling lever in the direction of the arrow for the working purpose, the setting angle of the wheel cover can be adjusted with the lever.

Removing wheel cover

Follow the installation procedure in reverse to remove the wheel cover.

Installing side grip (auxiliary handle) (Fig. 3)

Important:

Always be sure that the tool is switched off and unplugged before installing or removing the side grip.

Always install the side grip on the tool securely before operation. The side grip can be installed on either side of the tool, whichever is convenient and keeps the guard properly positioned. Always hold the tool's switch handle and the side grip firmly with both hands during operation.

Shaft lock (Fig. 4)

Press the shaft lock to prevent spindle rotation when installing or removing accessories.

CAUTION:

Never actuate the shaft lock when the spindle is moving. The tool may be damaged.

Installing or removing depressed center wheel (Fig. 5 & 6)

Important:

Always be sure that the tool is switched off and unplugged before installing or removing the wheel.

Mount the inner flange onto the spindle. Fit the wheel on over the inner flange and screw the lock nut onto the spindle.

To tighten the lock nut, press the shaft lock firmly so that the spindle cannot revolve, then use the lock nut wrench and securely tighten clockwise.

To remove the wheel, follow the installation procedure in reverse.

Switch action (Fig. 7)

CAUTION:

Before plugging in the tool, always check to see that the switch actuates properly and returns to the "OFF" position when the side of the switch lever is depressed.

To start the tool, slide the switch lever to "I" position. For continuous operation, depress the front of the switch lever and then slide to "I" position as above. The switch is locked on the position for continuous operation.

To stop the tool from the locked position, slide the switch lever to "O" position with depressing the rear of the switch lever.

Operation (Fig. 8)

CAUTION:

After operation, always switch off the tool and wait until the wheel has come to a complete stop before putting the tool down.

Hold the tool firmly with both hands. Turn the tool on and then apply the wheel or disc to the workpiece.

In general, keep the edge of the wheel or disc at an angle of about 15° – 30° to the workpiece surface. During the break-in period with a new wheel, do not work the tool in the B direction or it will cut into the workpiece. Once the edge of the wheel has been rounded off by use, the wheel may be worked in both A and B directions.

WARNING:

- It should never be necessary to force the tool. The weight of the tool applies adequate pressure. Forcing and excessive pressure could cause dangerous wheel breakage.
- Continued use of a worn-out wheel may result in wheel explosion and serious personal injury.

MAINTENANCE

CAUTION:

Always be sure that the tool is switched off and unplugged before carrying out any work on the tool.

Repair and maintenance (Fig. 9)

The tool and its opening vents for cooling air have to be always kept clean. When the foreign matters clog such parts, they have to be taken off.

To maintain product safety and reliability, repairs, maintenance or adjustment should be carried out by a Makita Authorized Service Center.

Makita Corporation

Anjo, Aichi Japan

Made in Japan

884309-6