

INSTRUCTION MANUAL
MANUEL D'INSTRUCTION
MANUAL DE INSTRUCCIONES

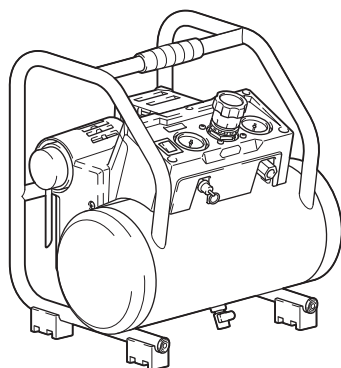


Cordless Air Compressor

Compresseur sans fil

Compresor de Aire Inalámbrico

AC001G



IMPORTANT: Read Before Using.

IMPORTANT : Lire avant usage.

IMPORTANTE: Lea antes de usar.

SPECIFICATIONS

Model:	AC001G
SCFM @ 90 PSIG (L/min @ 0.62 MPa)	1.2 SCFM (34 L/min)
Cut-In Pressure	0.72 MPa (105 PSIG)
Cut-Out Pressure	0.93 MPa (135 PSIG)
Outlet Max Pressure	0.93 MPa (135 PSIG)
Bore x Stroke x Qty	36 mm (1-7/16") x 30 mm (1-3/16") x 1
Motor RPM	6,000/min
Tank Size	7.6 L (2 gal)
Lubrication	Oil-Less
Rated voltage	D.C. 36 V - 40 V max
Dimensions (L x W x H)	302 mm x 402 mm x 382 mm (11-7/8" x 15-3/4" x 15")
Net weight	10.1 - 10.7 kg (22.3 - 23.6 lbs)
UL Listing for Canada and U.S.	Yes

- Due to our continuing program of research and development, the specifications herein are subject to change without notice.
- Specifications and battery cartridge may differ from country to country.

Applicable battery cartridge and charger




Battery cartridge	BL4020 / BL4025 / BL4040* / BL4050F* *: Recommended battery
Charger	DC40RA / DC40RB / DC40RC

- Some of the battery cartridges and chargers listed above may not be available depending on your region of residence.

⚠ WARNING: Only use the Makita battery cartridges and chargers listed above. Use of any other battery cartridges and chargers may cause injury and/or fire.

Symbols

The followings show the symbols which may be used for the equipment. Be sure that you understand their meaning before use.

	Read instruction manual.
	Take particular care and attention.
V	volts
A	amperes
	direct current
n ₀	no load speed
... /min r /min	revolutions or reciprocation per minute

IMPORTANT SAFETY INSTRUCTIONS

IMPORTANT: Read the Safety Guidelines and ALL instructions carefully before operating.
www.makitatools.com
www.makita.ca

SAVE THESE INSTRUCTIONS.

- ⚠ WARNING:**
- IMPROPER OPERATION OR MAINTENANCE OF THIS PRODUCT COULD RESULT IN SERIOUS INJURY AND PROPERTY DAMAGE.
 - READ AND UNDERSTAND ALL WARNINGS AND OPERATING INSTRUCTIONS BEFORE USING THIS EQUIPMENT.

- Keep this instruction manual for your reference and instructions for others. When you lend the compressor and air tools, lend only to people who have proven to be experienced and also hand over the instruction manual together.
- First-time or inexperienced operators should be trained in the operations. Never allow children, or people unfamiliar with the instructions, to use the compressor and air tools.

WARNING:

Work Area Safety

- Keep your work area clean and well lit. Cluttered and dark areas invite accidents.
- Do not operate the compressor in explosive atmospheres, such as in the presence of flammable liquids, gases, or dust. The compressor creates sparks which may ignite the dust or fumes.
- Keep bystanders, children, and visitors away while operating an air tool. Distractions can cause you to lose control. Protect others in the work area from debris such as chips and sparks. Provide barriers or shields as needed. Children should never be allowed in the work area.
- The adequate room temperature is +5°C to +30°C (40°F to 86°F). (0°C to + 40°C (32°F to 104°F) at Maximum)

WARNING:

Risk of Unsafe Operation

WHAT CAN HAPPEN

Unsafe operation of your air compressor could lead to serious injury to you or others.

HOW TO PREVENT IT

- Review and understand all instructions and warnings in this manual.
- Become familiar with the operation and controls of the air compressor.
- Keep operating area clear of all persons, pets, and obstacles.
- Keep children away from the air compressor at all times.
- Do not operate the product when fatigued or under the influence of alcohol or drugs. Stay alert at all times. Distractions can cause you to lose control.
- Never defeat the safety features of this product.
- Equip area of operation with a fire extinguisher.
- Do not operate machine with missing, broken, or unauthorized parts.
- Before use, always check that the compressor is safe for operation. If there is a misalignment or binding of moving parts, breakage of part, or other functional failure, have the compressor serviced before use. Many accidents are caused by poorly maintained products.

WARNING:

Risk of Air Tank Bursting



WHAT CAN HAPPEN

The following conditions could lead to a weakening of the tank, and RESULT IN A VIOLENT TANK EXPLOSION RESULTING IN SERIOUS INJURY TO YOU OR OTHERS:

- Failure to properly drain condensed water from the tank, causing rust and thinning of the tank wall.
- Modifications or attempted repairs to the tank.
- Unauthorized modifications to the pressure switch, safety valve, or any other components, which control tank pressure.

HOW TO PREVENT IT

- Drain air tank daily or after each use. If air tank develops a leak, replace it immediately with a new tank or replace the entire compressor.
- Do not drill into, weld or otherwise modify air tank or it will weaken. The tank can rupture or explode. Replace with a new air tank.
- Follow the equipment manufacturers recommendation and never exceed the maximum allowable pressure rating of attachments. Never use the compressor to inflate small low-pressure objects such as children's toys, footballs, basketballs, etc.

WARNING:

Risk of Bursting

DO NOT ADJUST REGULATOR TO RESULT IN OUTPUT PRESSURE GREATER THAN MARKED MAXIMUM PRESSURE OF ATTACHMENT.



WARNING:

Risk of Attachments and Accessories Bursting



WHAT CAN HAPPEN

- Exceeding the pressure rating of air tools, spray guns, air operated accessories, tires AND other inflatables can cause them to explode or fly apart, and could result in serious injury to you and others.
- Always follow all safety rules recommended by the manufacturer of your air tool, in addition to all safety rules for the air compressor. Following this rule will reduce the risk of serious personal injury.

WARNING:

Risk when Inflating Tires

WHAT CAN HAPPEN

Over inflating tires can result in serious injury and property damage.

HOW TO PREVENT IT

- Check the tires pressure before each use with a tire pressure gauge. While inflating tires, confirm the correct tire pressure written on the tire's sidewall.

NOTE: Equipment used for inflating tires, such as air tanks and compressors can inflate small tires or similar very rapidly. Adjust the air supply so that it becomes equal or less than the rating of tire pressure. To prevent over inflation, supply air little by little and frequently check the tire's air pressure using a tire gauge.

WARNING:

Risk of Electric Shock



WHAT CAN HAPPEN

Your air compressor is powered by electricity. Like any other electrically powered device, if it is not used properly, it may cause electrical shock.

HOW TO PREVENT IT

- Any electrical wiring or repairs required to this product should be performed by qualified service personnel or a licensed electrician, in accordance with national and local electrical codes.
- Never operate the compressor outdoors when it is raining, or in a wet environment.
- Never operate the compressor with guards or covers which are damaged or removed.
- To reduce the risk of electric shock, do not expose to rain. Store indoors.
- Do not expose compressor to rain or wet conditions. Water entering the compressor will increase the risk of electric shock.
- Avoid body contact with earthed or grounded surfaces, such as pipes, radiators, ranges and refrigerators. There is an increased risk of electric shock if your body is earthed or grounded.

WARNING:

Risk of Explosion or Fire



WHAT CAN HAPPEN

It is normal for electrical contacts within the motor and pressure switch to spark, whenever the compressor starts or stops. Never operate the compressor in an atmosphere where flammable vapors are present. Doing so can result in serious injury to you or others.

HOW TO PREVENT IT

- Always operate the compressor in a well-ventilated area, free of gasoline or solvent vapors.
- Do not use flammable liquid in a confined area.
- Always ventilate the spraying area.
- Do not smoke during spraying and spray toward a location where spark or flame is generated.
- Keep compressors away from the spraying area as possible, leave a distance at least 6.1 m (20 ft) from the spraying area and all flammable materials.
- Store flammable materials in a secure location away from compressor.

WARNING:

Risk to Breathing



WHAT CAN HAPPEN

- The compressed air from your compressor is not safe for breathing. The air stream may contain carbon monoxide or other vapors, or particles from the tank or other components.
- Sprayed materials such as paint, paint solvents, paint remover, insecticides, weed killers, etc., contain harmful vapors and poisons.
- Breathing compressor or sprayed materials vapor can result in serious injury.

HOW TO PREVENT IT

- Never inhale air from the compressor, either directly or from a breathing device connected to the compressor.
- Work in an area equipped with good cross ventilation.
- Read and follow the safety instructions provided on the label or safety data sheet for the material you are spraying. Use an approved respirator designed for use with your specific application.
- Do not carry the compressor while painting.

WARNING:

Risk from Noise

- Wear hearing protection to protect your ears against exhaust noise and noise during operation.

WARNING:

Risk from Compressed Air



WHAT CAN HAPPEN

The compressed air stream can cause soft tissue damage, and can propel dirt, chips, loose particles and small objects at high speed, resulting in property damage or personal injury.

HOW TO PREVENT IT

- Always wear approved safety glasses with side shields when using or maintaining the compressor.
- Never point any nozzle or sprayer toward any part of the body or at other people or animals.
- Always turn the compressor off and bleed pressure from the air line before attempting maintenance, attaching tools or accessories.

WARNING:

Risk from Moving Parts



WHAT CAN HAPPEN

The compressor cycles automatically when the On/Auto-Off switch is in the On/Auto position. If you attempt repair or maintenance while the compressor is operating or plugged in, you can expose yourself to moving parts.

These moving parts can cause serious injury.

HOW TO PREVENT IT

- Always turn off the On/Auto-Off switch and remove the battery cartridge. After that, release air pressure from the tank and any attachments before attempting any maintenance or repair.
- Never operate the compressor with guards or covers which are damaged or removed.
- Keep your hair, clothing, and gloves away from moving parts. Loose clothes, jewelry, or long hair can be caught in moving parts.
- Air vents may cover moving parts and should be avoided as well.

WARNING:

Risk of Burn

- **Do not operate the portable compressor with the doors or enclosures open!**
- **Do not open the cock before the air hose is attached!**



WHAT CAN HAPPEN

Contact with hot parts such as the compressor head or outlet tubes could result in a serious skin burn.

HOW TO PREVENT IT

- Never touch hot components during or immediately after operation of the compressor. Do not reach around protective shrouds or attempt maintenance until the compressor has been allowed to cool.
- Always hold the handle when move or transport the compressor.
- During using the compressor and within one hour after use, do not touch the heated parts such as cylinder, cylinder head, and exhaust hose. These parts become hot and can cause burn injury.

WARNING:

Transport

- **Always hold the handle when handling, lifting, moving, or transporting the compressor. Do not attempt to pull or carry the air compressor by the hose. Doing so may damage the compressor and/or hose.**
- **Always carry the compressor in the correct way. Transporting and lifting in wrong way may cause the compressor damaged.**
- **The maximum bevel during traction is at least 30°.**
- **Do not apply vehicles for traction.**
- **Do not place compressor under inflammable, explosive or erosive service.**
- **To prevent unintentional start-up;**
 - **do not carry the compressor over a long distance;**
 - **do not carry with the compressor with its air tank filled with compressed air, and;**
 - **do not bring into a potentially dangerous situations, such as in a vehicle or on a ladder or scaffold.**

Electrical and battery safety

1. **Avoid dangerous environment. Don't use the tool in damp or wet locations or expose it to rain.** Water entering the tool will increase the risk of electric shock.
2. **Prevent unintentional starting. Ensure the switch is in the off-position before connecting to battery pack, picking up or carrying the machine.** Carrying the machine with your finger on the switch or energizing machine that have the switch on invites accidents.
3. **Disconnect the battery pack from the machine before making any adjustments, changing accessories, or storing machine.** Such preventive safety measures reduce the risk of starting the machine accidentally.
4. **Recharge only with the charger specified by the manufacturer.** A charger that is suitable for one type of battery pack may create a risk of fire when used with another battery pack.
5. **Use machines only with specifically designated battery packs.** Use of any other battery packs may create a risk of injury and fire.

6. When battery pack is not in use, keep it away from other metal objects, like paper clips, coins, keys, nails, screws or other small metal objects, that can make a connection from one terminal to another. Shorting the battery terminals together may cause burns or a fire.
7. Under abusive conditions, liquid may be ejected from the battery; avoid contact. If contact accidentally occurs, flush with water. If liquid contacts eyes, seek medical help. Liquid ejected from the battery may cause irritation or burns.
8. Do not use a battery pack or machine that is damaged or modified. Damaged or modified batteries may exhibit unpredictable behaviour resulting in fire, explosion or risk of injury.
9. Do not expose a battery pack or machine to fire or excessive temperature. Exposure to fire or temperature above 130°C (265°F) may cause explosion.
10. Follow all charging instructions and do not charge the battery pack or machine outside of the temperature range specified in the instructions. Charging improperly or at temperatures outside of the specified range may damage the battery and increase the risk of fire.
11. Have servicing performed by a qualified repair person using only identical replacement parts. This will ensure that the safety of the product is maintained.
12. Do not modify or attempt to repair the machine or the battery pack except as indicated in the instructions for use and care.
7. Do not store the battery cartridge in locations where the temperature may go -20 °C (-4 °F) or less, or, 40 °C (104 °F) or more.
8. Do not store and use the tool and battery cartridge in locations where the temperature may reach or exceed 50 °C (122 °F).
9. Do not incinerate the battery cartridge even if it is severely damaged or is completely worn out. The battery cartridge can explode in a fire.
10. Do not nail, cut, crush, throw, drop the battery cartridge, or hit against a hard object to the battery cartridge. Such conduct may result in a fire, excessive heat, or explosion.
11. Do not use a damaged battery.
12. The contained lithium-ion batteries are subject to the Dangerous Goods Legislation requirements.
For commercial transports e.g. by third parties, forwarding agents, special requirement on packaging and labeling must be observed.
For preparation of the item being shipped, consulting an expert for hazardous material is required. Please also observe possibly more detailed national regulations.
Tape or mask off open contacts and pack up the battery in such a manner that it cannot move around in the packaging.
13. When disposing the battery cartridge, remove it from the tool and dispose of it in a safe place. Follow your local regulations relating to disposal of battery.
14. Use the batteries only with the products specified by Makita. Installing the batteries to non-compliant products may result in a fire, excessive heat, explosion, or leak of electrolyte.
15. If the tool is not used for a long period of time, the battery must be removed from the tool.
16. During and after use, the battery cartridge may take on heat which can cause burns or low temperature burns. Pay attention to the handling of hot battery cartridges.
17. Do not touch the terminal of the tool immediately after use as it may get hot enough to cause burns.
18. Do not allow chips, dust, or soil stuck into the terminals, holes, and grooves of the battery cartridge. It may cause heating, catching fire, burst and malfunction of the tool or battery cartridge, resulting in burns or personal injury.
19. Unless the tool supports the use near high-voltage electrical power lines, do not use the battery cartridge near a high-voltage electrical power lines. It may result in a malfunction or breakdown of the tool or battery cartridge.
20. Keep the battery away from children.

Important safety instructions for battery cartridge

1. Before using battery cartridge, read all instructions and cautionary markings on (1) battery charger, (2) battery, and (3) product using battery.
2. Do not disassemble or tamper with the battery cartridge. It may result in a fire, excessive heat, or explosion.
3. If operating time has become excessively shorter, stop operating immediately. It may result in a risk of overheating, possible burns and even an explosion.
4. If electrolyte gets into your eyes, rinse them out with clear water and seek medical attention right away. It may result in loss of your eyesight.
5. Do not short the battery cartridge:
 - (1) Do not touch the terminals with any conductive material.
 - (2) Avoid storing battery cartridge in a container with other metal objects such as nails, coins, etc.
 - (3) Do not expose battery cartridge to water or rain.

A battery short can cause a large current flow, overheating, possible burns and even a breakdown.
6. The operating temperature of this battery cartridge is between 0°C and 40°C (32°F and 104°F).

SAVE THESE INSTRUCTIONS.

CAUTION: Only use genuine Makita batteries. Use of non-genuine Makita batteries, or batteries that have been altered, may result in the battery bursting causing fires, personal injury and damage. It will also void the Makita warranty for the Makita tool and charger.

Tips for maintaining maximum battery life

1. Charge the battery cartridge before completely discharged. Always stop tool operation and charge the battery cartridge when you notice less tool power.
2. Never recharge a fully charged battery cartridge. Overcharging shortens the battery service life.
3. Charge the battery cartridge with room temperature at 10 °C - 40 °C (50 °F - 104 °F). Let a hot battery cartridge cool down before charging it.
4. When not using the battery cartridge, remove it from the tool or the charger.
5. Charge the battery cartridge if you do not use it for a long period (more than six months).

INTRODUCTION

General information

This air compressor is equipped with an Oil-Less pump designed for durability and no maintenance. The compressor can be used for properly rated pneumatic nailers and staplers. An air pressure regulator is supplied for these applications.

Intended use

This air compressor is designed for professional finish nailing and stapling applications.

⚠WARNING: Never use compressor for applications other than to operate a properly rated nailer or stapler. Use of the compressor for other applications could result in property damage and personal injury.

Separate air transformers which combine the functions of air regulation and/or moisture and dirt removal should be used where applicable.

⚠WARNING: Use the pressure gauge only for a reference. Check the air pressure using calibrated measuring equipment during and after inflating objects.

Parts description

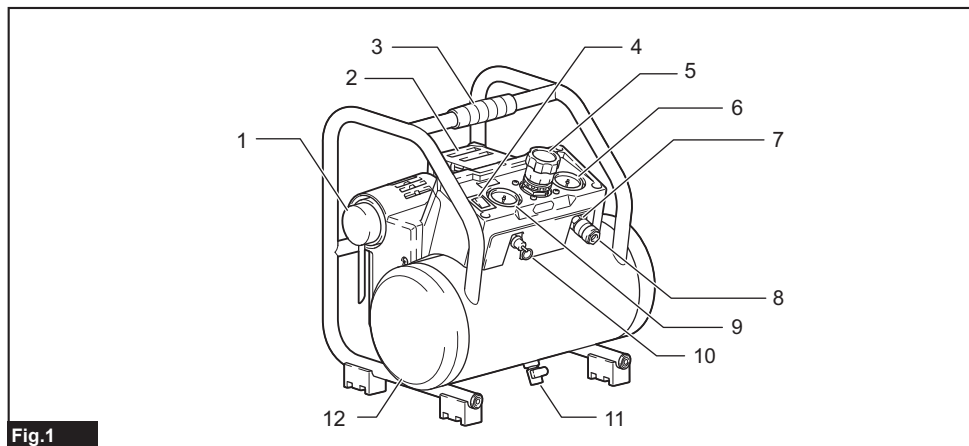


Fig.1

1	Air filter (air intake)	2	Battery cartridge	3	Carrying handle	4	On/Auto-Off switch
5	Regulator	6	Outlet pressure gauge	7	Air outlet (NPT 1/4)	8	Quick coupler (country specific)
9	Tank pressure gauge	10	Safety valve	11	Drain valve	12	Air tank

⚠CAUTION: Always use accessories and attachments recommended for use with Makita product. Not doing so may cause personal injury. Accessories and attachments must be used for its original purpose. If you need any assistance, ask your local Makita Service Center.

Glossary

SCFM: Standard cubic feet per minute; a unit of measure of air delivery.

PSIG: Pounds per square inch gauge; a unit of measure of pressure.

MPa (megapascal): Metric pressure measurement. 1 megapascal equals to 10 bar.

Cut-in pressure: While the motor is off, air tank pressure drops as you continue to use your accessory or air tool. When the tank pressure drops to a certain level the motor will restart automatically re-started is called "cut-in pressure".

Cut-out pressure: When you turn on your air compressor, it begins to run, air pressure in the air tank begins to build. It builds to a certain pressure before the motor automatically shuts off - protecting your air tank from pressure higher than its design rating. The pressure at which the motor shuts off is called "cut-out pressure".

On-receipt inspection

DAMAGE: Each air compressor outfit is carefully tested and checked before shipment. With improper handling, damage may result in transit and cause problems with compressor operation.

Immediately upon arrival, check equipment for both concealed and visible damages to avoid expenses being incurred to correct such problems. This should be done regardless of any visible signs of damage to the shipping container. If this product was shipped directly to you, report any damages to the carrier and arrange for inspection of goods immediately.

Installation and break-in procedures

Location of the air compressor

Locate the air compressor in a clean, dry and well-ventilated area. The air filter must be kept clear of obstructions, which could reduce air delivery of the air compressor. The air compressor should be located at least 305 mm (12") away from the wall or other obstructions that will interfere with the flow of air. The air compressor head and shroud are designed to allow for proper cooling.

If humidity is high, an air filter can be installed on the air outlet adapter to remove excessive moisture. Follow the instructions packaged with the air filter for proper installation.

Place the air compressor on a flat surface so that it is resting securely on the rubber feet.

⚠️WARNING: Risk of Falling

WHAT CAN HAPPEN

The air compressor can fall from a table, workbench, or roof causing damage to the compressor and could result in serious injury or death to the operator.

HOW TO PREVENT IT

Always operate compressor in a stable secure position to prevent accidental movement of the compressor. Never operate compressor on a roof or other elevated position. Use additional air hose to reach high locations.

Operating temperature

The operating temperature of this compressor is between 0°C and 40°C (32°F and 104°F).

⚠️CAUTION: Never operate the compressor in the temperatures below 0°C (32°F) and above 40°C (104°F).

Duty cycle

All Makita manufactured air compressors are recommended to be operated on not more than a 50% duty cycle. This means an air compressor that pumps air more than 50% in one hour is considered misuse because the air compressor is undersized for the required air demand.

Piping

Plastic or PVC pipe is not designed for use with compressed air. Regardless of its indicated pressure rating, plastic pipe can burst from air pressure. Use only metal pipe for air distribution lines. If a pipe line is necessary, use pipe that is the same size, or larger than, the air tank outlet. Piping that is too small will restrict the flow of air. If piping is over 30.5 m (100 ft) long, use the next larger size. Bury underground lines below the frost line and avoid pockets where condensation can gather and freeze. Apply pressure before underground lines are covered to make sure all pipe joints are free of leaks.

Battery protection system

This compressor is equipped with a battery protection system. This system automatically cuts off power to the motor to extend compressor and battery life. The compressor will automatically stop during operation if the compressor/battery is placed under one of the following conditions:

Overloaded

The compressor/battery is operated in a manner that causes it to draw an abnormally high current. In this situation, turn the compressor off and stop the application that caused the compressor to become overloaded. Then turn the compressor on to restart.

If the compressor does not start, the battery is overheated. In this situation, let the battery cool before turning the compressor on again.

Low battery voltage

The remaining battery capacity is too low and the compressor will not operate. If you turn the tool on, the motor runs again but stops soon. In this situation, remove and recharge the battery cartridge.

Protections against other causes

Protection system is also designed for other causes that could damage the compressor and allows the tool to stop automatically. Take all the following steps to clear the causes, when the compressor has been brought to a temporary halt or stop in operation.

1. Turn the compressor off, and then turn it on again to restart.
2. Charge the battery or replace it/them with recharged battery.
3. Let the compressor and battery cool down.

If no improvement can be found by restoring protection system, then contact your local Makita Service Center.

OPERATION

Installing or removing battery cartridge

⚠ CAUTION: Always switch off the tool before installing or removing of the battery cartridge.

⚠ CAUTION: Hold the tool and the battery cartridge firmly when installing or removing battery cartridge. Failure to hold the tool and the battery cartridge firmly may cause them to slip off your hands and result in damage to the tool and battery cartridge and a personal injury.

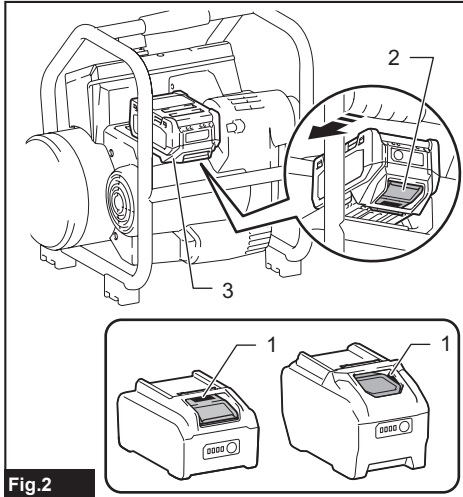


Fig.2

► 1. Red indicator 2. Button 3. Battery cartridge

To remove the battery cartridge, slide it from the tool while sliding the button on the front of the cartridge.

To install the battery cartridge, align the tongue on the battery cartridge with the groove in the housing and slip it into place. Insert it all the way until it locks in place with a little click. If you can see the red indicator as shown in the figure, it is not locked completely.

⚠ CAUTION: Always install the battery cartridge fully until the red indicator cannot be seen. If not, it may accidentally fall out of the tool, causing injury to you or someone around you.

⚠ CAUTION: Do not install the battery cartridge forcibly. If the cartridge does not slide in easily, it is not being inserted correctly.

Indicating the remaining battery capacity

Press the check button on the battery cartridge to indicate the remaining battery capacity. The indicator lamps light up for a few seconds.

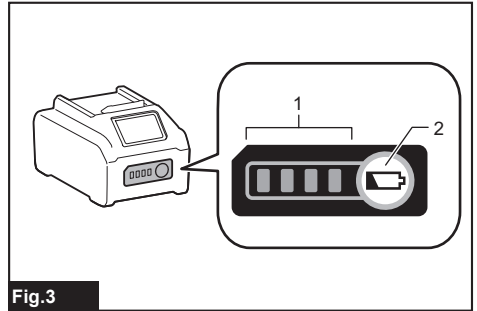


Fig.3

► 1. Indicator lamps 2. Check button

Indicator lamps			Remaining capacity
Lighted	Off	Blinking	
			75% to 100%
			50% to 75%
			25% to 50%
			0% to 25%
			Charge the battery.
			The battery may have malfunctioned.

NOTE: Depending on the conditions of use and the ambient temperature, the indication may differ slightly from the actual capacity.

NOTE: The first (far left) indicator lamp will blink when the battery protection system works.

Description of operation

⚠ WARNING: Risk of Noise

- Wear hearing protection to protect your ears against exhaust noise and noise during operation.

Drain valve:

The drain valve is located at the bottom of the air tank and is used to drain condensation at the end of each use.

Automatic shut off system:

If the compressor automatically shuts off before reaching its normal cutoff pressure :

1. Turn the On/Auto-Off switch to "Off" position.
2. Remove the battery cartridge.
3. Wait until the compressor cools down. (about 10 min.)
4. Install the battery cartridge.
5. Turn the On/Auto-Off switch to "On/Auto" position.

ON/AUTO - OFF switch:

Turn this switch to on (I) position to provide automatic power to the pressure switch and to off (O) position to remove power when finished using the compressor or when compressor will be left unattended.

⚠ WARNING: Always turn off (O) the On/Auto-Off switch when not in use.

⚠ CAUTION: When carrying the tool, turn off (O) the On/Auto-Off switch.

Air filter (Air intake):

Keep the air filter clean at all times. Do not operate the compressor with the air filter removed. The compressor does not operate at full capacity if the air filter is dirty. Before using the compressor, always check the air filter if it is clean. If not, clean the air filter or replace the filter element.

Air compressor pump:

To compress air, the piston moves up and down in the cylinder. On the down stroke, air is drawn in through the air intake valve. The exhaust valve remains closed. On the upstroke of the piston, air is compressed. The intake valve closes and compressed air is forced out through the exhaust valve, through the outlet tube, through the check valve and into the air tank. Useable air is not available until the compressor has raised the air tank pressure above that required at the air outlet.

Check valve:

When the air compressor is operating, the check valve is "open", allowing compressed air to enter the air tank. When the air compressor reaches "cut-out" pressure, the check valve "closes", allowing air pressure to remain inside the air tank.

Pressure switch:

The pressure switch automatically starts the motor when the air tank pressure drops to the factory set "cut-in" pressure. It stops the motor when the air tank pressure reaches the factory set "cut-out" pressure.

Safety valve:

If the pressure switch does not shut off the air compressor at its "cut-out" pressure setting, the safety valve will protect against high pressure by "popping out" at its factory set pressure which is slightly higher than the pressure switch "cut-out" setting.

Outlet pressure gauge:

The outlet pressure gauge indicates the air pressure available at the outlet side of the regulator. This pressure is controlled by the regulator and is always less or equal to the tank pressure.

Tank pressure gauge:

The tank pressure gauge indicates the air pressure in the tank.

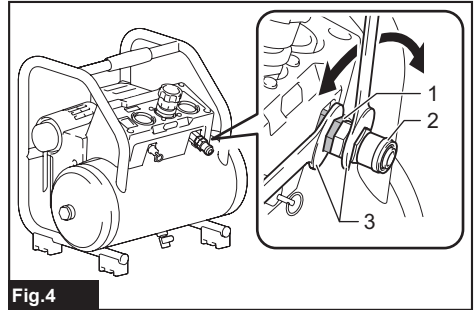
Regulator:

The air pressure coming from the air tank is controlled by the regulator knob. Turn the knob clockwise to increase pressure and counter-clockwise to decrease pressure. To avoid minor re-adjustment after making a change in pressure setting, always approach the desired pressure from a lower pressure. When reducing from a higher to a lower setting, first reduce to some pressure less than desired pressure. Depending on the air requirements of each particular accessory, the outlet regulated air pressure may have to be adjusted while you are operating the accessory.

Air outlet:

For regular pressure pneumatic tool, use outlet max pressure; 0.93 MPa (135 PSIG).

When using a quick coupler in the market, install it to the air outlet using the two wrenches as shown in the figure.



► 1. Air outlet 2. Quick coupler 3. Wrench

NOTE: If the quick coupler does not have any air sealing method, we recommend applying an adequate measure such as a sealing tape.

Daily Start-up Checklist

⚠ WARNING: Do not use the power tool if the switch does not turn it on and off. Any power tool that cannot be controlled with the switch is dangerous and must be repaired.

Checking the safety valve

Pull the ring on the safety valve to make sure that the safety valve operates freely. If the valve is stuck or does not operate smoothly, it must be replaced.

⚠ WARNING: Never pull the ring of the safety valve when the tank is under pressure.

Connecting hoses

⚠ WARNING: Risk of Unsafe Operation

- Firmly grasp hose in hand when installing to prevent hose whip. Losing control of the hose may result in personal injury and property damage.
- Always follow all safety rules recommended by the manufacturer of hoses, connectors, air tools, and accessories in addition to all safety rules for the air compressor. Following this rule will reduce the risk of serious personal injury.

1. Before attaching air hose or accessories, make sure On/Auto-Off switch lever is set to "Off", the battery is removed, and the air regulator or shut-off valve is closed.

2. Attach hose and accessories. Too much air pressure causes a hazardous risk of bursting. Check the manufacturer's maximum pressure rating for air tools and accessories. The regulator outlet pressure must never exceed the maximum pressure rating.

NOTICE: Air pressures above 0.7 MPa (100 PSIG) is recommended. The delivery hoses should be fitted with a safety cord such as wire rope.

3. Install the battery cartridge and turn the On/Auto - Off switch to "On/Auto" and allow tank pressure to build. Motor will stop when tank pressure reaches "cut-out" pressure.

4. Open the regulator by turning it clockwise. Adjust the regulator to the correct pressure setting. Your compressor is ready for use.

5. Always operate the air compressor in well-ventilated areas; free of gasoline or other solvent vapors. Do not operate the compressor near the spray area.

When you are finished:

Disconnecting hoses

WARNING: Risk of Unsafe Operation

- Firmly grasp hose in hand when disconnecting to prevent hose whip. Losing control of the hose may result in personal injury and property damage.
- Air tanks contain high pressure air. Keep face and other body parts away from outlet of drain. Always wear approved safety glasses with side shields when draining as debris can be kicked up into face.

1. Set the On/Auto - Off switch to "Off" and remove the battery cartridge.

2. Turn the regulator counterclockwise to set the outlet pressure to zero.

3. Remove the air tool or accessory.

4. Open the drain valve located at the lower part of the air tank. Tank pressure should be below 0.14 MPa (20 PSIG) when drain the air tank.

5. Tilt the tank so that the drain valve is directly below and drain.

WARNING: Risk of bursting

Tilt tank to drain.

WARNING: To drain tank, open the drain valve slowly and tilt compressor to empty accumulated water. Keep face and eyes away from the drain valve.

WARNING: WATER WILL CONDENSE IN THE AIR TANK. IF NOT DRAINED, WATER WILL CORRODE AND WEAKEN THE AIR TANK CAUSING A RISK OF AIR TANK RUPTURE.

NOTICE: Risk of Property Damage
Always drain water from the air tank. The water may contain oil and rust which can cause stains.

NOTE: If drain valve is plugged, release all air pressure. The valve can then be removed, cleaned, then reinstalled.

NOTE: Compressed air generates condensate which accumulates in the tank, filter, or other parts. The condensate contains lubricating oil and/or substances which may be regulated. Follow the regulations in your region when disposing of the condensate.

6. After the water has been drained, close the drain valve. The air compressor can now be stored.

WARNING: Drain Air Tank Properly. Improper draining of the air tank can result in corrosion and possible bursting of the tank. Tank bursting could lead to personal injury and property damage.

MAINTENANCE

WARNING: Never use the air compressor which is operating abnormally.

If the air compressor appears to be operating unusually, making strange noises or vibration, stop using it immediately and arrange for repairs by a Makita authorized service center.

WARNING: Use only genuine Makita replacement parts.

Replacement parts not manufactured by Makita may void your warranty and can lead to malfunction and result in injuries. Genuine Makita parts are available from an authorized dealer.

WARNING: UNIT CYCLES AUTOMATICALLY WHEN POWER IS ON. WHEN DOING MAINTENANCE, YOU MAY BE EXPOSED TO VOLTAGE SOURCES, COMPRESSED AIR OR MOVING PARTS. PERSONAL INJURIES CAN OCCUR. BEFORE PERFORMING ANY MAINTENANCE OR REPAIR, THE TOOL IS SWITCHED OFF AND THE BATTERY CARTRIDGE IS REMOVED AND BLEED OFF ALL AIR PRESSURE.

CAUTION: Always be sure that the tool is switched off and the battery cartridge is removed before attempting to perform inspection or maintenance.

NOTICE: Never use gasoline, benzine, thinner, alcohol or the like. Discoloration, deformation or cracks may result.

To maintain product SAFETY and RELIABILITY, repairs, any other maintenance or adjustment should be performed by Makita Authorized or Factory Service Centers, always using Makita replacement parts.

To ensure efficient operation and longer life of the air compressor unit, a routine maintenance schedule should be prepared and followed. The following procedure is geared to a unit in a normal working environment operating on a daily basis. If necessary, the schedule should be modified to suit the conditions under which your compressor is used. The modifications will depend upon the hours of operation and the working environment. Compressor units in an extremely dirty and/or hostile environment will require a greater frequency of all maintenance checks.

Maintenance routine

1. Drain water from the air tank, any moisture separators or air filter regulators.
2. Check for any unusual noise and/or vibration.
3. Pull the ring on the safety valve to make sure that the safety valve operates freely.

If the valve is stuck or does not operate smoothly, it must be replaced.

⚠WARNING: Never pull the ring of the safety valve when the tank is under pressure.

⚠WARNING: Risk of Bursting

Check the safety valve. If safety valve does not operate properly over pressurization of the air tank may result in rupture or explosion causing personal injury and property damage.

4. Inspect air filter, replace if necessary.
5. Inspect air lines and fittings for leaks and correct as necessary. Each year of operation or if a problem is suspected, check condition of check valve. Replace if damaged or worn out.
6. Keep all screws, bolts, and covers tightly mounted. Check their conditions periodically.

⚠WARNING: Keep all screws, bolts and covers properly tightened. If screws plates or covers become loose personal injury or property damage may occur.

Recommended interval of inspection and maintenance

Inspect and maintain the compressor within the period as described in the following table.

Part	Action	Daily (before/after use)	Weekly	Monthly	Quarterly
Overall	Inspect for unusual noise and vibration	✓	-	-	-
	Clean off dirt and dust with dry air.	-	✓	-	-
Air lines and fittings	Inspect for leakage	✓	-	-	-
Air tank	Exhaust all air and drain condensation in the air tank. (open the drain valve.)	✓	-	-	-
	Inspect for scratches, dents, or leakage.	✓	-	-	-
	Inspect rust, pin holes, or other imperfections that could cause it to become unsafe.	-	-	-	✓
Bolts and nuts	Inspect for tightness.	-	✓	-	-
Handle	Wipe off oil and grease.	-	✓	-	-
Safety valve	Check function	-	✓	-	-
Cut-out pressure	Check and adjust.	-	✓	-	-
Air filter	Clean or replace if necessary.	-	-	✓	-

Lubrication

This air compressor is equipped with an Oil-Less pump designed for durability and no maintenance.

Storage

Before you store the air compressor, make sure you do the following:

- Review the "MAINTENANCE" and "OPEATION" sections and perform maintenance as necessary. Be sure to drain water from the air tank.
- Protect the air hose from damage (such as being stepped on or run over).

Store the air compressor in a clean and dry location.

TROUBLESHOOTING

Before asking for repairs, conduct your own inspection first. If you find a problem that is not explained in the manual, do not attempt to dismantle the tool.

State of abnormality	Probable cause (malfunction)	Remedy
Compressor will not run.	The remaining battery capacity is too low.	Recharge the battery cartridge.
	Defective pressure switch.	Ask your local authorized service center for repair.
	Tank pressure exceeds pressure switch cut-in pressure.	Compressor will turn on when tank pressure drops to cut-in pressure.
	Automatic shut off system has worked.	Turn off the compressor remove the battery cartridge. Install the battery cartridge after cooling the compressor down.
	Defective motor.	Ask your local authorized service center for repair.
Safety valve releasing	Pressure switch cut-out pressure too high.	Ask your local authorized service center for repair.
	Defective safety valve.	Manually check the safety valve: pull up and release the ring. If the condition persists, ask your local authorized service center for repair.
Automatic shut off system works repeatedly.	Poor ventilation. Room temperature is too high.	Move compressor to a well-ventilated area.
	Electrical overload.	Turn off the compressor and allow to cool; remove and reinstall battery cartridge.
	Defective motor.	Ask your local authorized service center for repair.
There is a continuous air leak after the compressor has stopped.	Loose air lines and fittings.	Check all connections with soap and water solution and tighten.
	Loose or open drain valve.	Tighten/close the drain valve.
	Air leakage from the check valve.	Ask your local authorized service center for repair.
Compressor runs continuously	Air filter is dirty.	Clean the air filter or replace the filter element.
	Defective air lines and fittings	Check all connections and tighten or replace.
	Loose or open drain valve.	Tighten/close the drain valve.
	Defective pressure switch.	Ask your local authorized service center for repair.
	Excessive air usage.	Decrease air usage. The compressor may not be large enough for tool's requirement. The air compressors are recommended to be operated on 50% or less duty cycle.
	Defective air compressor pump (Piston rings are worn or inlet/outlet valves broken)	Ask your local authorized service center for repair.

OPTIONAL ACCESSORIES

⚠ WARNING: These Makita accessories or attachments are recommended for use with your Makita tool specified in this manual. The use of any other accessories or attachments may result in serious personal injury.

⚠ WARNING: Only use the Makita accessory or attachment for its stated purpose. Misuse of an accessory or attachment may result in serious personal injury.

If you need any assistance for more details regarding these accessories, ask your local Makita Service Center.

- Air hose
- Makita genuine battery and charger

NOTE: Some items in the list may be included in the tool package as standard accessories. They may differ from country to country.

MAKITA LIMITED WARRANTY

Please refer to the annexed warranty sheet for the most current warranty terms applicable to this product. If annexed warranty sheet is not available, refer to the warranty details set forth at below website for your respective country.

United States of America: www.makitatools.com

Canada: www.makita.ca

Other countries: www.makita.com

SPÉCIFICATIONS

Modèle :	AC001G
SCFM @ 90 PSIG (L/min @ 0,62 MPa)	1,2 SCFM (34 L/min)
Pression d'enclenchement	0,72 MPa (105 PSIG)
Pression de déclenchement	0,93 MPa (135 PSIG)
Pression de sortie max.	0,93 MPa (135 PSIG)
Alésage x Course x Qté	36 mm (1-7/16") x 30 mm (1-3/16") x 1
Régime (tr/min) du moteur	6 000/min
Dimension du réservoir	7,6 L (2 gal)
Lubrification	Sans huile
Tension nominale	C.C. 36 V - 40 V max.
Dimensions (L x P x H)	302 mm x 402 mm x 382 mm (11-7/8" x 15-3/4" x 15")
Poids net	10,1 - 10,7 kg (22,3 - 23,6 lbs)
Homologation UL pour le Canada et les États-Unis	Oui

- Étant donné l'évolution constante de notre programme de recherche et développement, les spécifications contenues dans ce manuel sont sujettes à modification sans préavis.
- Les spécifications et la batterie peuvent varier suivant les pays.

Batteries et chargeurs applicables



Batterie	BL4020 / BL4025 / BL4040* / BL4050F* * : Batterie recommandée
Chargeur	DC40RA / DC40RB / DC40RC

- Suivant la région où vous habitez, il se peut que certaines des batteries et certains des chargeurs énumérés ci-dessus ne soient pas disponibles.

⚠ MISE EN GARDE : Utilisez exclusivement les batteries et chargeurs Makita énumérés ci-dessus. L'utilisation de toute autre batterie ou tout autre chargeur peut entraîner une blessure et/ou un incendie.

Symboles

Les symboles qui peuvent être utilisés pour l'équipement sont indiqués ci-dessous. Vous devez avoir compris leur signification avant l'utilisation.

	Lisez le manuel d'instructions.
	Soyez tout particulièrement prudent et attentif.
V	volts
A	ampères
— — —	courant continu
n _o	vitesse à vide
... /min r /min	tours ou alternances par minute

CONSIGNES DE SÉCURITÉ IMPORTANTES

IMPORTANT : Lisez les consignes de sécurité et TOUTES les instructions avec soin avant l'utilisation de l'appareil.
www.makitatools.com
www.makita.ca

CONSERVEZ CES INSTRUCTIONS.

⚠ MISE EN GARDE :

- UNE UTILISATION OU UN ENTRETIEN INADÉQUAT DE CE PRODUIT POURRAIT ENTRAÎNER DES BLESSURES GRAVES ET DES DOMMAGES MATÉRIELS.
- ASSUREZ-VOUS DE LIRE ET DE COMPRENDRE TOUTES LES MISES EN GARDE ET INSTRUCTIONS D'UTILISATION AVANT D'OPÉRER CET ÉQUIPEMENT.

- **Gardez ce manuel d'instructions pour pouvoir le consulter, vous et les autres. Lorsque vous prêtez le compresseur et des outils pneumatiques, prêtez-les uniquement à des personnes qui disposent d'une expérience démontrable et prêtez-leur aussi le manuel d'instructions.**
- **Les opérateurs novices ou inexpérimentés doivent recevoir une formation sur l'utilisation du produit. Ne laissez jamais les enfants ou personnes non familières avec ces instructions utiliser le compresseur et les outils pneumatiques.**

MISE EN GARDE :

Sécurité de la zone de travail

- **Gardez votre zone de travail propre et bien éclairée. Les zones de travail encombrées et sombres ouvrent toute grande la porte aux accidents.**
- **N'utilisez pas le compresseur dans les atmosphères explosives, telles que celles où sont présents des liquides, gaz ou poussières inflammables. Le compresseur génère des étincelles qui peuvent enflammer les poussières ou les vapeurs.**
- **Gardez les personnes présentes, les enfants et les visiteurs à l'écart pendant que vous utilisez un outil pneumatique. Toute distraction peut vous faire perdre la maîtrise de l'outil. Protégez des débris, comme les copeaux et les étincelles, les autres personnes dans la zone de travail. Fournissez des barrières ou des écrans au besoin. Il ne doit jamais être permis aux enfants de jouer dans la zone de travail.**
- **La température de la pièce adéquate est de +5 °C à +30 °C (40 °F à 86 °F). (0 °C à +40 °C (32 °F à 104 °F) au maximum)**

MISE EN GARDE :

Risque de fonctionnement non sécuritaire

CE QUI PEUT SE PRODUIRE

L'utilisation non sécuritaire de votre compresseur d'air peut entraîner des blessures graves pour vous et les autres.

COMMENT L'ÉVITER

- Assurez-vous d'examiner et de comprendre toutes les instructions et mises en garde du présent manuel.
- Familiarisez-vous avec le fonctionnement et les commandes du compresseur d'air.
- Ne laissez aucune personne et aucun animal de compagnie entrer dans votre zone de travail, et assurez-vous qu'il n'y a aucun obstacle.
- Gardez les enfants éloignés du compresseur d'air en tout temps.
- N'utilisez pas le produit lorsque vous êtes fatigué ou sous l'influence de l'alcool ou de drogues. Restez vigilant en tout temps. Toute distraction peut vous faire perdre la maîtrise de l'outil.
- Ne neutralisez jamais les dispositifs de sécurité de ce produit.
- Équipez la zone d'utilisation d'un extincteur.

- N'utilisez pas la machine s'il y a des pièces manquantes, brisées ou non autorisées.
- Avant d'utiliser le compresseur, assurez-vous toujours que son utilisation est sécuritaire. S'il existe un mauvais alignement ou un grippage de pièces mobiles, un bris de pièce ou une autre défaillance fonctionnelle, faites réparer le compresseur avant de l'utiliser. De nombreux accidents sont causés par des produits mal entretenus.

MISE EN GARDE :

Risque d'éclatement du réservoir d'air



CE QUI PEUT SE PRODUIRE

Les conditions suivantes peuvent entraîner un affaiblissement du réservoir et ENTRAÎNER UNE EXPLOSION VIOLENTE DU RÉSERVOIR POUVANT CAUSER DES BLESSURES GRAVES À VOUS ET AUX AUTRES :

- Si vous ne drainez pas correctement l'eau condensée du réservoir, cela pourrait entraîner de la rouille et l'amincissement de la paroi du réservoir.
- Modifications ou réparations tentées sur le réservoir.
- Modifications non autorisées du pressostat, de la soupape de sûreté ou de tout autre composant qui contrôle la pression du réservoir.

COMMENT L'ÉVITER

- Drainez le réservoir d'air quotidiennement ou après chaque utilisation. Si le réservoir d'air développe une fuite, remplacez-le immédiatement par un nouveau ou remplacez le compresseur en entier.
- Ne percez pas de trou, ne soudez pas et ne modifiez en aucune autre façon le réservoir d'air, car autrement il s'en verra fragilisé. Le réservoir peut se rompre ou exploser. Remplacez-le par un réservoir d'air neuf.
- Suivez les recommandations des fabricants de l'équipement et ne dépassez jamais la valeur nominale de pression maximale admissible des pièces complémentaires. N'utilisez jamais le compresseur pour gonfler de petits objets avec une faible pression, comme des jouets pour enfant, des ballons de football, des ballons de basketball, etc.

MISE EN GARDE :

Risque d'explosion des pièces complémentaires et des accessoires

N'AJUSTEZ PAS LE RÉGULATEUR D'UNE MANIÈRE QUI POURRAIT ENTRAÎNER UNE PRESSION DE SORTIE SUPÉRIEURE À LA PRESSION MAXIMUM INSCRITE D'UNE PIÈCE COMPLÉMENTAIRE.



MISE EN GARDE :

Risque d'explosion des pièces complémentaires et des accessoires



CE QUI PEUT SE PRODUIRE

- Dépasser la pression nominale des outils pneumatiques, des pistolets pneumatiques, des accessoires actionnés par l'air, des pneus ET d'autres objets gonflables peut les faire exploser ou voler en éclats, et pourrait entraîner des blessures graves pour vous et les autres.
- Suivez toujours les consignes de sécurité du fabricant de votre outil pneumatique en plus de toutes les consignes de sécurité pour le compresseur d'air. Si vous suivez ces consignes, cela réduira le risque de blessures corporelles graves.

MISE EN GARDE :

Risque lors du gonflage de pneus

CE QUI PEUT SE PRODUIRE

Le gonflage excessif de pneus peut entraîner des blessures graves et des dommages matériels.

COMMENT L'ÉVITER

- Vérifiez la pression des pneus avant chaque utilisation à l'aide d'un manomètre pour les pneus. Lors du gonflage des pneus, assurez-vous de la pression adéquate des pneus conformément à ce qui est inscrit sur la paroi des pneus.

NOTE : L'équipement utilisé pour le gonflage des pneus, comme les réservoirs d'air et les compresseurs, peut gonfler des petits pneus et des articles similaires très rapidement. Ajustez l'alimentation en air de manière à ce qu'elle devienne égale ou inférieure à la valeur nominale de pression des pneus. Pour éviter un gonflage excessif, ajoutez de l'air peu à peu et vérifiez fréquemment la pression d'air à l'aide d'un manomètre pour les pneus.

MISE EN GARDE :

Risque de décharge électrique



CE QUI PEUT SE PRODUIRE

Votre compresseur d'air est alimenté à l'électricité. Comme tout autre appareil électrique, s'il n'est pas utilisé correctement, il peut causer une décharge électrique.

COMMENT L'ÉVITER

- Tout travail de câblage électrique ou toute réparation requis pour ce produit doit être effectué par du personnel de service qualifié ou un électricien professionnel, conformément aux codes de l'électricité national et local.
- N'utilisez jamais le compresseur à l'extérieur quand il pleut ou lorsque l'environnement est humide.

- N'utilisez jamais le compresseur avec des protecteurs ou des couvercles endommagés, ou sans que ceux-ci soient installés.
- Pour réduire les risques de décharge électrique, ne l'exposez pas à la pluie. Rangez-le à l'intérieur.
- N'exposez pas le compresseur à la pluie ou à des surfaces mouillées. L'infiltration d'eau dans le compresseur accroît le risque de décharge électrique.
- Évitez tout contact avec les surfaces mises à la terre ou à la masse, telles que celles des tuyaux, radiateurs, cuisinières et réfrigérateurs. Le risque de choc électrique est plus élevé si votre corps se trouve mis à la terre.

MISE EN GARDE :

Risque d'explosion ou d'incendie



CE QUI PEUT SE PRODUIRE

Il est normal que les contacts électriques dans le moteur et le pressostat produisent des étincelles lorsque le compresseur démarre ou s'arrête. N'utilisez jamais le compresseur dans une atmosphère où il existe des vapeurs inflammables. Si vous le faites, cela pourrait entraîner des blessures graves pour vous et les autres.

COMMENT L'ÉVITER

- Utilisez toujours le compresseur dans un endroit bien ventilé, exempt de vapeurs d'essence ou de solvant.
- N'utilisez pas de liquide inflammable dans la zone confinée.
- Ventilez toujours la zone de pulvérisation.
- Ne fumez pas pendant la pulvérisation et ne pulvérisez pas en direction d'un endroit où une étincelle ou une flamme est générée.
- Gardez les compresseurs aussi éloignés que possible de la zone de pulvérisation. Laissez une distance d'au moins 6,1 m (20 ft) de la zone de pulvérisation et de tous les matériaux inflammables.
- Stockez les matériaux inflammables dans un emplacement sécuritaire éloigné du compresseur.

MISE EN GARDE :

Risque pour la respiration



CE QUI PEUT SE PRODUIRE

- L'air comprimé provenant de votre compresseur ne peut être respiré de façon sécuritaire. Le flux d'air contient du monoxyde de carbone et d'autres vapeurs ou particules provenant du réservoir et d'autres composants.

- Les matériaux pulvérisés, comme la peinture, les solvants pour peinture, les décapants pour peinture, les insecticides, les herbicides, etc., peuvent contenir des vapeurs nocives et des poisons.
- Respirer la vapeur provenant du compresseur ou des matériaux pulvérisés peut entraîner des blessures graves.

COMMENT L'ÉVITER

- N'inhalez jamais l'air provenant du compresseur, que ce soit directement ou par l'entremise d'un appareil respiratoire raccordé au compresseur.
- Travaillez dans un endroit équipé d'une bonne ventilation transversale.
- Lisez et suivez les consignes de sécurité fournies sur l'étiquette ou la fiche technique santé-sécurité pour la matière que vous pulvérisiez. Utilisez un respirateur approuvé conçu pour une utilisation avec votre application particulière.
- Ne transportez pas le compresseur pendant que vous peignez.

MISE EN GARDE :

Risque lié au bruit

- Portez une protection d'oreilles pour les protéger contre le bruit d'échappement et le bruit pendant le fonctionnement.

MISE EN GARDE :

Risque lié à l'air comprimé



CE QUI PEUT SE PRODUIRE

Le flux d'air comprimé peut causer des dommages aux tissus mous et peut projeter à grande vitesse de la saleté, des copeaux, des particules meubles et de petits objets, ce qui entraînera des dommages matériels ou des blessures corporelles.

COMMENT L'ÉVITER

- Portez toujours des lunettes de sécurité munies d'écrans latéraux lorsque vous utilisez ou entretenez le compresseur.
- Ne pointez jamais une buse ou un gicleur vers une partie du corps ou vers toute autre personne ou tout animal.
- Éteignez toujours le compresseur et drainez la pression de la conduite d'air avant de procéder à un entretien ou de raccorder des outils ou accessoires.

MISE EN GARDE :

Risque lié à des pièces mobiles



CE QUI PEUT SE PRODUIRE

Le compresseur réalise automatiquement un cycle lorsque l'interrupteur Marche/Auto-Arrêt est en position Marche/Auto. Si vous tentez de réaliser une réparation ou un entretien pendant que le compresseur fonctionne ou est branché, vous pouvez vous exposer à des pièces mobiles. Ces pièces mobiles peuvent causer des blessures graves.

COMMENT L'ÉVITER

- Éteignez toujours l'interrupteur Marche/Auto-Arrêt et retirez la batterie. Après cela, libérez la pression d'air du réservoir et de toute pièce complémentaire avant de tenter tout entretien ou toute réparation.
- N'utilisez jamais le compresseur avec des protecteurs ou des couvercles endommagés, ou sans que ceux-ci soient installés.
- Vous devez maintenir cheveux, vêtements et gants à l'écart des pièces mobiles. Les vêtements amples, bijoux ou cheveux longs peuvent être happés par les pièces mobiles.
- Des orifices d'aération pourraient cacher des pièces mobiles et devraient aussi être évités.

MISE EN GARDE :

Risque de brûlure

- **N'utilisez pas le compresseur portatif alors que les volets ou enceintes sont ouverts!**
- **N'ouvrez pas le robinet avant que le tuyau d'air ne soit raccordé!**



CE QUI PEUT SE PRODUIRE

Le contact avec les pièces chaudes, comme la tête du compresseur ou les tubes de sortie, peut entraîner des brûlures cutanées graves.

COMMENT L'ÉVITER

- Ne touchez jamais les composants chauds pendant ou immédiatement après l'utilisation du compresseur. Ne vous allongez pas à proximité des écrans protecteurs et n'essayez pas de réaliser un entretien jusqu'à ce que le compresseur soit autorisé à refroidir.
- Tenez toujours la poignée lorsque vous déplacez ou transportez le compresseur.
- Pendant l'utilisation du compresseur et dans l'heure suivant son utilisation, ne touchez pas les pièces chaudes, comme le cylindre, la culasse et le tuyau d'échappement. Ces pièces deviennent chaudes et peuvent causer des brûlures.

MISE EN GARDE :

Transport

- **Tenez toujours la poignée lors de la manipulation, du levage, du déplacement ou du transport du compresseur. Ne tentez pas de tirer ou de transporter le compresseur d'air par le tuyau. Si vous le faites, cela pourrait endommager le compresseur et/ou le tuyau.**
- **Transportez toujours le compresseur de la bonne manière. Un transport ou un levage de la mauvaise manière pourrait endommager le compresseur.**
- **L'angle maximum pendant la traction est d'au moins 30°.**
- **N'appliquez pas de véhicule pour la traction.**
- **Ne placez pas le compresseur dans des conditions inflammables, explosives ou érosives.**

- **Pour éviter le démarrage accidentel;**
 - ne transportez pas le compresseur sur une longue distance;
 - ne transportez pas le compresseur alors que son réservoir d'air est rempli d'air comprimé;
 - ne l'amenez pas dans des situations potentiellement dangereuses, comme dans un véhicule ou sur une échelle ou un échafaudage.

Consignes de sécurité concernant l'électricité et la batterie

1. **Évitez les environnements dangereux.** N'utilisez pas l'outil dans les endroits humides ou mouillés et ne l'exposez pas à la pluie. L'infiltration d'eau dans l'outil accroît le risque de décharge électrique.
2. **Prévenez le démarrage accidentel. Assurez-vous que l'interrupteur est en position d'arrêt avant de connecter la machine à la batterie, de la saisir ou de la transporter.** Transporter la machine avec le doigt sur l'interrupteur ou la mettre sous tension alors que son interrupteur est en position de marche ouvre la porte aux accidents.
3. **Retirez la batterie de la machine avant de procéder à des réglages, au remplacement d'accessoires ou au rangement de la machine.** De telles mesures de sécurité préventives réduisent le risque de démarrage accidentel de la machine.
4. **Ne la rechargez qu'avec le chargeur spécifié par le fabricant.** Un chargeur conçu pour un certain type de batterie risque de déclencher un incendie s'il est utilisé avec une autre batterie.
5. **N'utilisez les machines qu'avec leurs batteries spécifiques.** Les autres batteries risqueraient de vous blesser ou de provoquer un incendie.
6. **Lorsque la batterie n'est pas utilisée, tenez-la à distance des objets métalliques tels que trombones, pièces de monnaie, clés, clous, vis ou autres petits objets métalliques, conducteurs potentiels entre une borne et une autre.** Un court-circuit entre les bornes de la batterie peut provoquer des brûlures ou un incendie.
7. **Dans des conditions d'utilisation inadéquates de la batterie, il peut y avoir fuite d'électrolyte; évitez tout contact.** En cas de contact accidentel, rincez avec beaucoup d'eau. Si du liquide entre en contact avec les yeux, consultez un médecin. Le liquide qui gicle de la batterie peut provoquer des irritations ou des brûlures.
8. **N'utilisez pas une batterie ou une machine endommagée ou modifiée.** Les batteries endommagées ou modifiées peuvent se comporter de manière imprévisible et entraîner un incendie, une explosion ou un risque de blessure.
9. **N'exposez pas une batterie ou une machine au feu ou à une température excessive.** L'exposition au feu ou à une température supérieure à 130 °C (265 °F) peut provoquer une explosion.

10. **Suivez toutes les instructions de charge et ne chargez pas la batterie ou la machine à l'extérieur de la plage de température spécifiée dans les instructions.** Effectuer la charge de manière inadéquate ou à une température hors de la plage spécifiée peut endommager la batterie et faire augmenter le risque d'incendie.
11. **L'entretien doit être confié à un réparateur qualifié et n'utilisant que des pièces de rechange identiques aux pièces d'origine.** Cela assurera le maintien du produit dans un état sécuritaire.
12. **Ne modifiez pas et n'essayez pas de réparer la machine ou la batterie autrement que tel qu'indiqué dans les instructions d'utilisation et d'entretien.**

Consignes de sécurité importantes pour la batterie

1. **Avant d'utiliser la batterie, lisez toutes les instructions et les mises en garde apposées sur (1) le chargeur de batterie, (2) la batterie et (3) le produit utilisant la batterie.**
2. **Ne démontez pas et ne modifiez pas la batterie.** Cela peut entraîner un incendie, une chaleur excessive ou une explosion.
3. **Cessez immédiatement l'utilisation si le temps de fonctionnement devient excessivement court.** Il y a risque de surchauffe, de brûlures, voire d'explosion.
4. **Si l'électrolyte pénètre dans vos yeux, rincez-les à l'eau claire et consultez immédiatement un médecin.** Il y a risque de perte de la vue.
5. **Ne court-circuitez pas la batterie :**
 - (1) **Ne touchez les bornes avec aucun matériau conducteur.**
 - (2) **Évitez de ranger la batterie dans un conteneur avec d'autres objets métalliques tels que clous, pièces de monnaie, etc.**
 - (3) **Évitez d'exposer la batterie à l'eau ou à la pluie.**

Un court-circuit de la batterie pourrait provoquer un fort courant, une surchauffe, parfois des brûlures et même une panne.
6. **La température de fonctionnement de cette batterie se situe entre 0 °C et 40 °C (32 °F et 104 °F).**
7. **Ne rangez pas la batterie dans des emplacements où la température peut descendre jusqu'à -20 °C (-4 °F) ou moins, ou atteindre 40 °C (104 °F) ou plus.**
8. **Ne rangez pas et n'utilisez pas l'outil ou la batterie dans des emplacements où la température peut atteindre ou dépasser 50 °C (122 °F).**
9. **Ne jetez pas la batterie au feu même si elle est sérieusement endommagée ou complètement épuisée.** La batterie peut exploser au contact du feu.

10. **Évitez de clouer, de couper, d'écraser, de lancer ou d'échapper la batterie, ou de heurter un objet dur contre la batterie.** Cela peut entraîner un incendie, une chaleur excessive ou une explosion.
11. **N'utilisez pas une batterie si elle est endommagée.**
12. **Les batteries lithium-ion fournies sont soumises aux exigences de la législation sur les marchandises dangereuses.**
Des exigences particulières sur l'emballage et l'étiquetage doivent être respectées lors du transport commercial par des tiers, des transitaires, etc. Pour préparer la marchandise à expédier, consultez un expert en matériaux dangereux si nécessaire. Respectez aussi les éventuelles réglementations nationales plus détaillées.
Recouvrez de ruban isolant les contacts exposés, et emballez la batterie de sorte qu'elle ne puisse pas se déplacer à l'intérieur de l'emballage.
13. **Lors de l'élimination de la batterie, retirez-la de l'outil et éliminez-la dans un endroit sûr. Respectez la réglementation locale concernant l'élimination de la batterie.**
14. **N'utilisez les batteries qu'avec les produits spécifiés par Makita.** Installer les batteries sur des produits non conformes peut entraîner un incendie, une chaleur excessive, une explosion ou une fuite d'électrolyte.
15. **Si l'outil reste inutilisé pour une période prolongée, la batterie doit en être retirée.**
16. **Pendant et après l'utilisation, la batterie peut accumuler de la chaleur, ce qui peut causer des brûlures ou des brûlures à basse température. Faites attention lors de la manipulation des batteries chaudes.**
17. **Ne touchez pas la borne de l'outil immédiatement après l'utilisation, car elle peut être assez chaude pour causer des brûlures.**
18. **Ne laissez pas les copeaux, les poussières ou la terre se coincer dans les bornes, les trous et les rainures de la batterie.** Cela pourrait causer un réchauffement, un incendie, un éclatement et une défaillance de l'outil ou de la batterie et entraîner des brûlures ou des blessures corporelles.
19. **À moins que l'outil ne soit compatible avec l'utilisation à proximité des lignes électriques haute tension, n'utilisez pas la batterie à proximité d'une ligne électrique haute tension.** Cela peut entraîner un dysfonctionnement ou une panne de l'outil ou de la batterie.
20. **Gardez la batterie à l'écart des enfants.**

CONSERVEZ CES INSTRUCTIONS.

⚠ATTENTION : Utilisez exclusivement les batteries fabriquées par Makita. Les batteries autres que celles fabriquées par Makita ou les batteries modifiées peuvent exploser et causer un incendie, une blessure ou des dommages. Cela annule aussi la garantie Makita de l'outil et du chargeur Makita.

Conseils pour maintenir la durée de service maximale de la batterie

1. **Rechargez la batterie avant qu'elle ne soit complètement déchargée. Arrêtez toujours l'outil et rechargez la batterie quand vous remarquez que la puissance de l'outil diminue.**
2. **Ne rechargez jamais une batterie complètement chargée. La surcharge réduit la durée de service de la batterie.**
3. **Chargez la batterie à une température ambiante comprise entre 10 °C et 40 °C (50 °F et 104 °F). Si la batterie est chaude, laissez-la refroidir avant de la charger.**
4. **Lorsque vous n'utilisez pas la batterie, retirez-la de l'outil ou du chargeur.**
5. **Chargez la batterie si elle est restée inutilisée pendant une période prolongée (plus de six mois).**

INTRODUCTION

Renseignements généraux

Ce compresseur d'air est équipé d'une pompe sans huile conçue pour permettre la durabilité et l'absence d'entretien.

Il est possible d'utiliser le compresseur pour les cloueuses et les agrafeuses pneumatiques correctement calibrées. Un régulateur de pression d'air est fourni pour ces applications.

Utilisation prévue

Ce compresseur d'air est conçu pour des applications de clouage et d'agrafage de finition professionnelles.

⚠MISE EN GARDE : N'utilisez jamais le compresseur pour des applications autres que pour utiliser une cloueuse ou une agrafeuse correctement calibrée. Si vous utilisez le compresseur pour d'autres applications, cela pourrait entraîner des dommages matériels et des blessures corporelles.

Le cas échéant, il faut utiliser des transformateurs d'air séparés qui combinent les fonctions de régulation d'air et/ou d'enlèvement de l'humidité et de la saleté.

⚠MISE EN GARDE : Utilisez un manomètre à titre de référence uniquement. Vérifiez la pression d'air à l'aide d'un instrument de mesure étalonné pendant et après avoir gonflé des objets.

Description des pièces

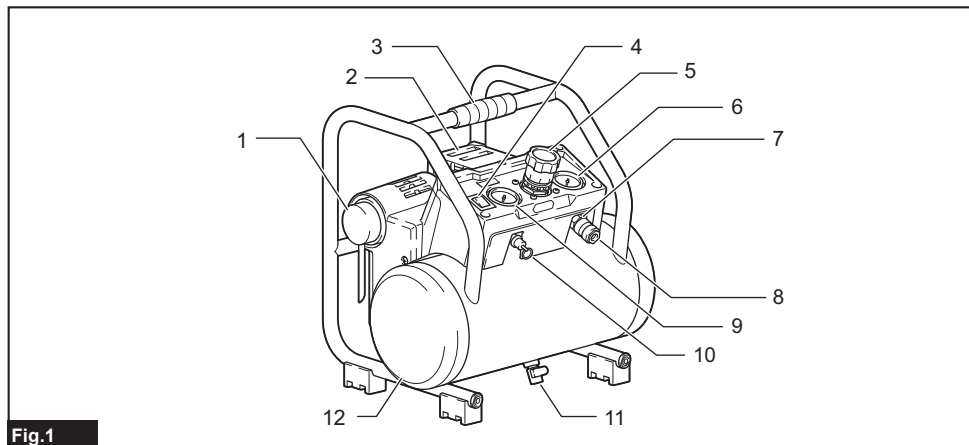


Fig.1

1	1	3	4
5	2	6	7
9	10	11	12

⚠ ATTENTION : Utilisez toujours des accessoires et des pièces complémentaires recommandés pour une utilisation avec le produit Makita. Si vous ne le faites pas, il y a risque de blessure. Les accessoires et pièces complémentaires doivent être utilisés pour leurs fins d'origine. Si vous avez besoin d'assistance, demandez à votre centre de service après-vente Makita local.

Glossaire

SCFM : Pied cube standard par minute; une unité de mesure de l'alimentation en air.

PSIG : Pression par pouce carré; une unité de mesure de la pression.

MPa (mégapascal) : Mesure de la pression métrique. 1 mégapascal équivaut à 10 bar.

Pression d'enclenchement : Alors que le moteur est éteint, la pression du réservoir d'air chute pendant que vous continuez à utiliser votre accessoire ou outil pneumatique. Lorsque la pression du réservoir chute à un certain niveau, le moteur redémarrera automatiquement; le redémarrage est appelé « pression d'enclenchement ».

Pression de déclenchement : Lorsque vous démarrez votre compresseur d'air, il commence à fonctionner et la pression d'air dans le réservoir d'air commence à augmenter. Une certaine pression augmente avant que le moteur s'arrête automatiquement, ce qui protège votre réservoir d'air d'une pression supérieure à sa pression nominale de conception. La pression à laquelle le moteur s'arrête est appelée « pression de déclenchement ».

Inspection à la réception

DOMMAGES : Chaque nécessaire de compresseur d'air est soigneusement testé et vérifié avant l'expédition. Advenant une manipulation inadéquate, des dommages pourraient survenir pendant le déplacement et entraîner des problèmes de fonctionnement du compresseur.

Dès son arrivée, vérifiez l'équipement pour y déceler des dommages cachés ou visibles afin d'éviter des dépenses liées à la correction de tels problèmes. Ceci doit être fait indifféremment de tout signe visible de dommages à l'emballage d'expédition. Si le produit vous a été expédié directement, signalez tout dommage au transporteur et organisez l'inspection des produits immédiatement.

Procédures d'installation et d'adaptation

Emplacement du compresseur d'air

Positionnez le compresseur d'air dans un endroit propre, sec et bien ventilé. Le filtre à air doit être maintenu exempt d'obstructions qui pourraient réduire l'alimentation en air depuis le compresseur d'air. Le compresseur d'air doit se trouver à au moins 305 mm (12") du mur ou d'autres obstructions qui pourraient interférer avec le débit d'air. La tête du compresseur d'air et l'écran sont conçus pour permettre un refroidissement adéquat.

Si l'humidité est élevée, il est possible d'installer un filtre à air sur l'adaptateur de sortie d'air pour retirer l'humidité excessive. Pour une installation adéquate, suivez les instructions comprises avec le filtre à air. Placez le compresseur d'air sur une surface plate de manière à ce qu'il repose de façon sécuritaire sur les pieds en caoutchouc.

⚠ MISE EN GARDE : Risque de chute

CE QUI PEUT SE PRODUIRE

Le compresseur d'air peut tomber d'une table, d'un établi ou d'un toit et être endommagé, ce qui pourrait causer des blessures graves à l'opérateur, voire la mort.

COMMENT L'ÉVITER

Opérez toujours le compresseur dans une position sécuritaire stable pour éviter qu'il ne bouge de façon accidentelle. N'opérez jamais le compresseur sur un toit ou à partir d'un autre emplacement en hauteur. Utilisez un tuyau d'air supplémentaire pour atteindre les emplacements en hauteur.

Température de fonctionnement

La température de fonctionnement de ce compresseur se situe entre 0 °C et 40 °C (32 °F et 104 °F).

⚠ ATTENTION : N'utilisez jamais le compresseur dans des températures inférieures à 0 °C (32 °F) et supérieures à 40 °C (104 °F).

Cycle de service

Il est recommandé d'utiliser tous les compresseurs d'air fabriqués par Makita au maximum à 50 % du cycle de service. Ceci signifie qu'un compresseur d'air qui pompe de l'air plus de 50 % au cours d'une heure est considéré comme une mauvaise utilisation, car le compresseur d'air est sous-dimensionné pour la demande d'air requise.

Tuyauterie

Les tuyaux en plastique ou en PVC ne sont pas conçus pour être utilisés avec de l'air comprimé. Indifféremment de la pression nominale indiquée, un tuyau en plastique risque d'éclater en raison de la pression d'air. Utilisez uniquement un tuyau métallique pour les conduites de distribution d'air. Si une ligne de tuyauterie est nécessaire, utilisez un tuyau qui a la même dimension, ou une dimension supérieure, que celle de la sortie du réservoir d'air. Une tuyauterie trop petite restreindra le débit d'air. Si la tuyauterie a une longueur supérieure à 30,5 m (100 ft), utilisez la dimension plus grande suivante. Enterrez les conduites souterraines sous la profondeur de gel et évitez les poches où la condensation pourrait s'accumuler et geler. Appliquez une pression avant que les conduites souterraines ne soient recouvertes afin de vous assurer que tous les joints de tuyau sont exempts de fuites.

Dispositif de protection de la batterie

Ce compresseur est équipé d'un dispositif de protection de la batterie. Ce dispositif coupe automatiquement l'alimentation du moteur pour augmenter la durée de service du compresseur et de la batterie. Le compresseur s'arrête automatiquement pendant l'utilisation lorsque le compresseur/batterie se trouve dans l'une des situations suivantes :

En surcharge

Le compresseur/batterie est utilisé d'une manière entraînant une consommation anormale de courant. Dans cette situation, éteignez le compresseur et arrêtez l'activité qui entraîne une surcharge du compresseur. Puis, mettez le compresseur en marche pour le redémarrer. Si le compresseur ne démarre pas, c'est que la batterie est surchauffée. Dans ce cas, laissez refroidir la batterie avant de rallumer le compresseur.

Tension de la batterie faible

La charge restante de la batterie est trop basse et le compresseur ne fonctionnera pas. Si vous démarrez l'outil, le moteur tourne de nouveau mais s'arrête aussitôt. Le cas échéant, retirez et rechargez la batterie.

Protections contre d'autres causes

Le dispositif de protection est aussi conçu pour d'autres causes qui pourraient endommager le compresseur et permet d'arrêter automatiquement l'outil. Prenez toutes les mesures suivantes pour éliminer les causes lorsque le fonctionnement du compresseur a été interrompu temporairement ou arrêté.

1. Éteignez le compresseur et remettez-le de nouveau en marche.
2. Chargez la batterie ou remplacez-la par une batterie rechargée.
3. Laissez le compresseur et la batterie se refroidir.

Si la situation ne s'améliore pas en restaurant le système de protection, contactez votre centre de service Makita local.

UTILISATION

Installation ou retrait de la batterie

⚠ ATTENTION : Éteignez toujours l'outil avant d'installer ou de retirer la batterie.

⚠ ATTENTION : Tenez fermement l'outil et la batterie lors de l'installation ou du retrait de cette dernière. Si l'outil et la batterie ne sont pas tenus fermement, ils risquent de vous glisser des mains et de subir des dommages, ou encore de vous blesser.

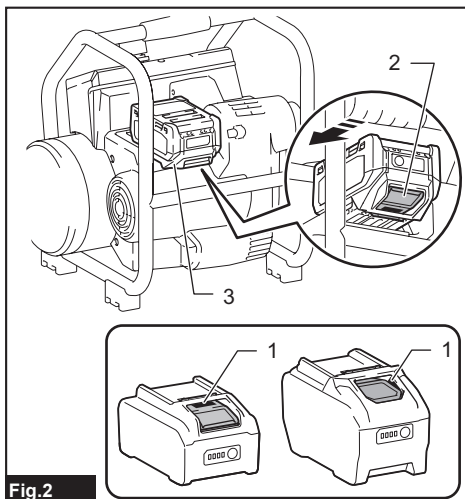


Fig.2

► 1. Indicateur rouge 2. Bouton 3. Batterie

Pour retirer la batterie, faites-la glisser hors de l'outil tout en glissant le bouton qui se trouve à l'avant.

Pour installer la batterie, alignez sa languette sur la rainure pratiquée dans le boîtier et glissez la batterie en place. Insérez-la à fond jusqu'à ce que vous entendiez un léger dé clic. Si vous pouvez voir l'indicateur rouge tel qu'illustré sur la figure, cela signifie qu'elle n'est pas complètement verrouillée.

⚠ ATTENTION : Installez toujours la batterie à fond jusqu'à ce que vous ne puissiez plus voir l'indicateur rouge. Autrement elle risque de tomber accidentellement de l'outil et d'entraîner des blessures.

⚠ ATTENTION : Ne forcez pas sur la batterie pour l'installer. Si la batterie ne glisse pas facilement, c'est qu'elle n'est pas insérée correctement.

Affichage de la charge restante de la batterie

Appuyez sur le bouton de vérification de la batterie pour afficher la charge restante de la batterie. Les témoins indicateurs s'allument pendant quelques secondes.

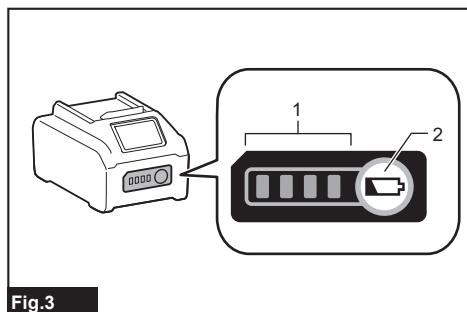


Fig.3

► 1. Témoins indicateurs 2. Bouton de vérification

Témoins indicateurs			Charge restante
Allumé	Éteint	Clignotant	
■	□	◐	75 % à 100 %
■ ■ ■ ■	■ ■ ■ ■	■ ■ ■ ■	50 % à 75 %
■ ■ ■ ■	■ ■ ■ ■	■ ■ ■ ■	25 % à 50 %
■ ■ ■ ■	■ ■ ■ ■	■ ■ ■ ■	0 % à 25 %
◐	□	□	Chargez la batterie.
■ ■ ■ ■	■ ■ ■ ■	■ ■ ■ ■	La batterie a peut-être mal fonctionné.
■ ■ ■ ■	■ ■ ■ ■	■ ■ ■ ■	

NOTE : Suivant les conditions d'utilisation et la température ambiante, il se peut que l'indication soit légèrement différente de la charge réelle.

NOTE : La première lampe témoin (à l'extrémité gauche) clignote lorsque le dispositif de protection de la batterie s'active.

Description de l'utilisation

⚠ MISE EN GARDE : Risque de bruit

- Portez une protection d'oreilles pour les protéger contre le bruit d'échappement et le bruit pendant le fonctionnement.

Vanne de purge :

La vanne de purge se trouve à la base du réservoir d'air et est utilisée pour purger la condensation à la fin de charge utilisation.

Système d'arrêt automatique :

Si le compresseur s'arrête automatiquement avant d'atteindre sa pression d'arrêt normale :

1. Placez l'interrupteur Marche/Auto-Arrêt à la position « Arrêt ».
2. Retirez la batterie.
3. Attendez jusqu'à ce que le compresseur se refroidisse. (environ 10 min.)
4. Installez la batterie.
5. Placez l'interrupteur Marche/Auto-Arrêt à la position « Marche/Auto ».

Interrupteur MARCHE/AUTO-ARRÊT :

Placez cet interrupteur à la position de marche (I) pour fournir automatiquement l'alimentation au pressostat et à la position d'arrêt (O) pour couper l'alimentation lorsque vous avez terminé d'utiliser le compresseur ou lorsque le compresseur sera laissé sans surveillance.

⚠ MISE EN GARDE : Mettez toujours l'interrupteur Marche/Auto-Arrêt en position d'arrêt (O) lorsque vous ne l'utilisez pas.

⚠ ATTENTION : Lorsque vous transportez l'outil, mettez l'interrupteur Marche/Auto-Arrêt en position d'arrêt (O).

Filter à air (admission d'air) :

Maintenez le filtre à air propre en tout temps. N'utilisez pas le compresseur d'air si le filtre à air est retiré. Le compresseur ne fonctionne pas au maximum de sa capacité si le filtre à air est sale.

Avant d'utiliser le compresseur, vérifiez toujours si le filtre à air est propre. Si ce n'est pas le cas, nettoyez le filtre à air ou remplacez la cartouche filtrante.

Pompe de compresseur d'air :

Pour comprimer l'air, le piston se déplace vers le haut et le bas du cylindre. Sur la course descendante, l'air est aspiré à travers la soupape d'admission d'air. La soupape d'échappement reste fermée.

Dans la course ascendante du piston, l'air est comprimé. La soupape d'admission se ferme et l'air comprimé est forcé à l'extérieur à travers la soupape d'échappement, à travers le tube de sortie et le clapet antiretour, et dans le réservoir d'air. L'air utilisable n'est pas disponible jusqu'à ce que le compresseur ait augmenté la pression du réservoir d'air au-delà de ce qui est nécessaire à la sortie d'air.

Clapet antiretour :

Lorsque le compresseur d'air fonctionne, le clapet antiretour est « ouvert », ce qui permet à l'air comprimé d'entrer dans le réservoir d'air.

Lorsque le compresseur d'air atteint la pression de « déclenchement », le clapet antiretour « se ferme », ce qui permet à la pression d'air de rester à l'intérieur du réservoir d'air.

Pressostat :

Le pressostat démarre automatiquement le moteur lorsque la pression du réservoir d'air chute à la pression d'« enclenchement » définie en usine. Il arrête le moteur lorsque la pression du réservoir d'air atteint la pression de « déclenchement » définie en usine.

Soupape de sûreté :

Si le pressostat n'arrête pas le compresseur d'air au réglage de pression de « déclenchement », la soupape de sûreté protégera contre une haute pression en « sortant » à sa pression définie en usine qui est légèrement supérieure au réglage de « déclenchement » du pressostat.

Manomètre de sortie :

Le manomètre de sortie indique la pression d'air disponible du côté sortie du régulateur. Cette pression est contrôlée par le régulateur et est toujours inférieure ou égale à la pression du réservoir.

Manomètre de réservoir :

Le manomètre de réservoir indique la pression d'air dans le réservoir.

Régulateur :

La pression d'air venant du réservoir d'air est contrôlée par le bouton de régulateur. Tournez le bouton dans le sens des aiguilles d'une montre pour augmenter la pression et dans le sens contraire des aiguilles d'une montre pour la diminuer. Pour éviter un réajustement mineur après avoir apporté un changement dans le réglage de la pression, approchez toujours la pression souhaitée à partir d'une pression inférieure. Lors d'une réduction à partir d'un réglage supérieur vers un réglage inférieur, commencez par réduire à une pression inférieure à celle de la pression souhaitée. Selon les exigences d'air de chaque accessoire particulier, la pression d'air régulée de la sortie peut devoir être ajustée pendant que vous utilisez l'accessoire.

Sortie d'air :

Pour un outil pneumatique à pression régulière, utilisez la pression max. de sortie; 0,93 MPa (135 PSIG). Lorsque vous utilisez un raccord rapide dans le marché, installez-le sur la sortie d'air en utilisant deux clés, comme illustré dans la figure.

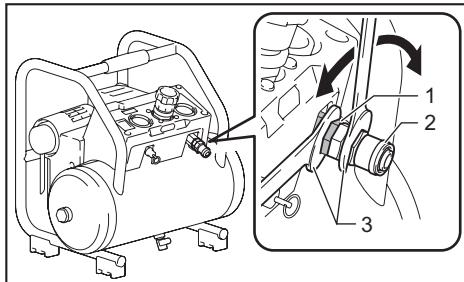


Fig.4

► 1. Sortie d'air 2. Raccord rapide 3. Clé

NOTE : Si le raccord rapide n'a pas de moyen d'étanchéité à l'air, nous recommandons d'appliquer une mesure adéquate, comme un ruban d'étanchéité.

Liste de vérification quotidienne au démarrage

⚠ MISE EN GARDE : N'utilisez pas l'outil électrique s'il n'est pas possible de l'allumer et de l'éteindre avec son interrupteur. Tout outil électrique dont l'interrupteur est défectueux représente un danger et doit être réparé.

Vérification de la soupape de sûreté

Tirez la bague sur la soupape de sûreté pour vous assurer que la soupape de sûreté fonctionne sans accrocs. Si la soupape est bloquée ou ne fonctionne pas sans accrocs, elle doit être remplacée.

⚠ MISE EN GARDE : Ne tirez jamais la bague de la soupape de sûreté lorsque le réservoir est sous pression.

Tuyaux de raccordement

⚠ MISE EN GARDE : Risque de fonctionnement non sécuritaire

- Prenez fermement le tuyau dans la main lors de la pose afin d'éviter un mouvement de fouet du tuyau. La perte de contrôle du tuyau peut entraîner des blessures corporelles et des dommages matériels.
- Suivez toujours les consignes de sécurité du fabricant de vos tuyaux, de vos connecteurs, de vos outils pneumatiques et de vos accessoires en plus de toutes les consignes de sécurité pour le compresseur d'air. Si vous suivez ces consignes, cela réduira le risque de blessures corporelles graves.

1. Avant de raccorder un tuyau d'air ou des accessoires, assurez-vous que l'interrupteur Marche/Auto-Arrêt est réglé sur la position d'arrêt, que la batterie est retirée et que le régulateur d'air ou la soupape d'arrêt sont fermés.

2. Raccordez le tuyau et les accessoires. Une trop grande pression d'air cause un danger d'explosion. Vérifiez la pression nominale maximum indiquée par le fabricant pour les accessoires et outils pneumatiques. La pression de sortie de régulateur ne doit jamais dépasser la pression nominale maximum.

AVIS : Une pression d'air supérieure à 0,7 MPa (100 PSIG) est recommandée. Les tuyaux d'alimentation doivent être raccordés avec un câble de sécurité, comme un câble métallique.

3. Installez la batterie et mettez l'interrupteur Marche/Auto-Arrêt à la position « Marche/Auto », puis laissez la pression du réservoir augmenter. Le moteur s'arrêtera lorsque la pression du réservoir atteint la pression de « déclenchement ».

4. Ouvrez le régulateur en le tournant dans le sens des aiguilles d'une montre. Ajustez le régulateur sur le bon réglage de pression. Votre compresseur est prêt à être utilisé.

5. Utilisez toujours le compresseur d'air dans des endroits bien ventilés, exempts de vapeurs d'essence ou d'autres solvants. N'utilisez pas le compresseur proche de la zone de pulvérisation.

Lorsque vous avez terminé :

Débranchement des tuyaux

MISE EN GARDE : Risque de fonctionnement non sécuritaire

- Prenez fermement le tuyau dans la main lors du débranchement afin d'éviter un mouvement de fouet du tuyau. La perte de contrôle du tuyau peut entraîner des blessures corporelles et des dommages matériels.
- Les réservoirs d'air contiennent un air sous haute pression. Gardez le visage et les autres parties du corps à l'écart de la sortie du drain. Portez toujours des lunettes de sécurité approuvées munis d'écrans latéraux lors du drainage, car des débris pourraient être projetés dans le visage.

1. Réglez l'interrupteur Marche/Auto-Arrêt à la position d'« arrêt » et retirez la batterie.
2. Tournez le régulateur dans le sens contraire des aiguilles d'une montre pour régler la pression de sortie à zéro.
3. Retirez l'accessoire ou l'outil pneumatique.
4. Ouvrez la vanne de purge située sur la partie inférieure du réservoir d'air. La pression du réservoir doit se situer sous 0,14 MPa (20 PSIG) lors de la purge du réservoir d'air.
5. Inclinez le réservoir de manière à ce que la vanne de purge se trouve directement en dessous et permette la purge.

MISE EN GARDE : Risque d'explosion

Inclinez le réservoir pour permettre la purge.

MISE EN GARDE : Pour purger le réservoir, ouvrez lentement la vanne de purge et inclinez le compresseur pour vider l'eau accumulée. Gardez le visage et les yeux à l'écart de la vanne de purge.

MISE EN GARDE : L'EAU SE CONDENSERA DANS LE RÉSERVOIR D'AIR. SI ELLE N'EST PAS PURGÉE, L'EAU CORRODERA ET AFFAIBLIRA LE RÉSERVOIR D'AIR, CAUSANT AINSI UN RISQUE DE RUPTURE DU RÉSERVOIR D'AIR.

AVIS : Risque de dommages matériels
Purgez toujours l'eau du réservoir d'air. L'eau peut contenir de l'huile et de la rouille qui causent des taches.

NOTE : Si la vanne de purge est bouchée, libérez toute la pression d'air. La vanne peut ensuite être retirée, nettoyée, puis réinstallée.

NOTE : L'air comprimé génère un condensat qui s'accumule dans le réservoir, le filtre et d'autres pièces. Le condensat contient de l'huile lubrifiante et/ou des substances qui pourraient être régulées. Suivez les règlements de votre région lorsque vous éliminez le condensat.

6. Une fois que l'eau a été purgée, fermez la vanne de purge. Il est maintenant possible de ranger le compresseur d'air.

MISE EN GARDE : Purgez le réservoir d'air correctement. Une purge inadéquate du réservoir d'air peut entraîner de la corrosion et une explosion potentielle du réservoir. L'explosion du réservoir peut entraîner des blessures corporelles et des dommages matériels.

ENTRETIEN

MISE EN GARDE : N'utilisez jamais le compresseur d'air qui fonctionne de façon anormale.

Si le compresseur d'air semble opérer de façon inhabituelle, produisant des bruits ou des vibrations étranges, cessez immédiatement de l'utiliser et organisez la réparation avec un centre de service après-vente Makita agréé.

MISE EN GARDE : Utilisez uniquement des pièces de rechange Makita d'origine.

Les pièces de rechange non fabriquées par Makita peuvent annuler votre garantie et entraîner un défaillance pouvant causer des blessures. Des pièces d'origine Makita sont disponibles auprès d'un distributeur agréé.

MISE EN GARDE : L'APPAREIL RÉALISE AUTOMATIQUEMENT UN CYCLE LORSQUE L'ALIMENTATION EST ACTIVÉE. LORSQUE VOUS RÉALISEZ UN ENTRETIEN, VOUS POURRIEZ ÊTRE EXPOSÉ À DES SOURCES DE TENSION, DE L'AIR COMPRIMÉ OU DES PIÈCES MOBILES. DES BLESSURES CORPORELLES PEUVENT SURVENIR. AVANT D'EFFECTUER TOUT ENTRETIEN OU TOUTE RÉPARATION, L'OUTIL EST MIS À L'ARRÊT, LA BATTERIE EST RETIRÉE ET TOUTE LA PRESSION D'AIR EST PURGÉE.

ATTENTION : Assurez-vous toujours que l'outil est hors tension et que la batterie est retirée avant d'y effectuer tout travail d'inspection ou d'entretien.

AVIS : N'utilisez jamais d'essence, de benzine, de diluant, d'alcool ou autres produits similaires. Une décoloration, une déformation, ou la formation de fissures peuvent en découler.

Pour maintenir la SÉCURITÉ et la FIABILITÉ du produit, les réparations et tout autre travail d'entretien ou de réglage doivent être effectués dans un centre de service après-vente autorisé ou une usine Makita, exclusivement avec des pièces de rechange Makita.

Pour assurer un fonctionnement efficace et une longue durée de vie du compresseur d'air, il faut préparer et suivre un calendrier d'entretiens réguliers. La procédure suivante est destinée à un appareil dans un environnement d'exploitation normal fonctionnant sur une base quotidienne. Au besoin, le calendrier doit être modifié pour correspondre aux conditions sous lesquelles votre compresseur est utilisé. Les modifications dépendront des heures de fonctionnement et de l'environnement de travail. Les compresseurs utilisés dans un environnement extrêmement sale et/ou hostile nécessiteront une fréquence plus élevée pour toutes les vérifications d'entretien.

Routine d'entretien

1. Purgez l'eau du réservoir d'air, de tout séparateur d'humidité ou de tout régulateur de filtre à air.
2. Vérifiez la présence de tout bruit et/ou de toute vibration inhabituel.
3. Tirez la bague sur la soupape de sûreté pour vous assurer que la soupape de sûreté fonctionne sans accrocs. Si la soupape est bloquée ou ne fonctionne pas sans accrocs, elle doit être remplacée.

⚠ MISE EN GARDE : Ne tirez jamais la bague de la soupape de sûreté lorsque le réservoir est sous pression.

⚠ MISE EN GARDE : Risque d'explosion
Vérification de la soupape de sûreté. Si la soupape de sûreté ne fonctionne pas correctement, la mise sous pression excessive du réservoir d'air peut entraîner une rupture ou une explosion pouvant causer des blessures corporelles et des dommages matériels.

4. Inspectez le filtre à air et remplacez-le au besoin.
5. Inspectez les raccords et conduites d'air pour y déceler des fuites, et corrigez le problème au besoin. Chaque année de fonctionnement, ou si vous soupçonnez un problème, vérifiez l'état du clapet antiretour. Remplacez-le s'il est endommagé ou usé.
6. Conservez toutes les vis, tous les boulons et tous les couvercles solidement en place. Vérifiez régulièrement leur état.

⚠ MISE EN GARDE : Conservez toutes les vis, tous les boulons et tous les couvercles correctement serrés. Si des couvercles ou des plateaux-vis se desserrent, des blessures corporelles ou des dommages matériels pourraient survenir.

Intervalle d'inspection et d'entretien recommandé

Inspectez et entretenez le compresseur conformément à la période indiquée dans le tableau suivant.

Pièce	Action	Chaque jour (avant/après l'utilisation)	Chaque semaine	Chaque mois	Chaque trimestre
Le tout	Vérifiez la présence de vibrations ou de bruits inhabituels	✓	-	-	-
	Nettoyez la saleté et la poussière avec de l'air sec.	-	✓	-	-
Raccords et conduites d'air	Assurez-vous qu'il n'y a pas de fuites	✓	-	-	-
Réservoir d'air	Évacuez tout l'air et purgez la condensation du réservoir d'air (ouvrez la vanne de purge).	✓	-	-	-
	Vérifiez s'il y a des éraflures, des entailles ou des fuites.	✓	-	-	-
	Vérifiez s'il y a de la rouille, des trous d'aiguille ou d'autres imperfections qui pourraient faire en sorte qu'il devienne non sécuritaire.	-	-	-	✓
Boulons et écrous	Vérifiez s'ils sont serrés.	-	✓	-	-
Poignée	Essuyez l'huile et la graisse.	-	✓	-	-
Soupape de sûreté	Assurez-vous de son bon fonctionnement	-	✓	-	-
Pression de déclenchement	Vérifiez-la et ajustez-la.	-	✓	-	-
Filtre à air	Nettoyez-le et remplacez-le au besoin.	-	-	✓	-

Lubrification

Ce compresseur d'air est équipé d'une pompe sans huile conçue pour permettre la durabilité et l'absence d'entretien.

Rangement

Avant de ranger le compresseur d'air, assurez-vous de faire ce qui suit :

- Examinez les sections « ENTRETIEN » et « UTILISATION », et effectuez l'entretien au besoin. Assurez-vous de purger l'eau du réservoir d'air.
- Protégez le tuyau d'air des dommages (par exemple, pour que personne ne marche ou ne roule dessus).

Rangez le compresseur d'air dans un endroit propre et sec.

DÉPANNAGE

Avant de faire une demande de réparation, faites d'abord votre propre inspection. Si vous rencontrez un problème non indiqué dans ce manuel, n'essayez pas de démonter l'outil.

État anormal	Cause probable (dysfonctionnement)	Solution
Le compresseur ne fonctionne pas.	La charge restante de la batterie est trop faible.	Rechargez la batterie.
	Pressostat défectueux.	Demandez à votre centre de service après-vente agréé local de faire la réparation.
	La pression du réservoir dépasse la pression d'enclenchement du pressostat.	Le compresseur se met en marche lorsque la pression du réservoir chute à la pression d'enclenchement.
	Le système d'arrêt automatique a fonctionné.	Éteignez le compresseur, retirez la batterie. Installez la batterie après avoir refroidi le compresseur.
	Moteur défectueux.	Demandez à votre centre de service après-vente agréé local de faire la réparation.
Libération de la soupape de sûreté	La pression de déclenchement du pressostat est trop élevée.	Demandez à votre centre de service après-vente agréé local de faire la réparation.
	Soupape de sûreté défectueuse.	Procédez à une vérification manuelle de la soupape de sûreté : tirez vers le haut et libérez la bague. Si le problème persiste, demandez à votre centre de service après-vente agréé local d'effectuer la réparation.
Le système d'arrêt automatique fonctionne à répétition.	Mauvaise ventilation. La température de la pièce est trop élevée.	Déplacez le compresseur dans une zone bien ventilée.
	Surcharge électrique.	Éteignez le compresseur et laissez-le se refroidir; retirez et réinstallez la batterie.
	Moteur défectueux.	Demandez à votre centre de service après-vente agréé local de faire la réparation.
Il existe une fuite d'air continue une fois que le compresseur s'est arrêté.	Raccords et conduites d'air desserrés.	Vérifiez tous les raccords à l'aide d'une solution de savon et d'eau, puis serrez.
	Desserrez ou ouvrez la vanne de purge.	Serrez/fermez la vanne de purge.
	Fuite d'air provenant du clapet antiretour.	Demandez à votre centre de service après-vente agréé local de faire la réparation.
Le compresseur fonctionne de façon continue	Le filtre à air est sale.	Nettoyez le filtre à air ou remplacez la cartouche filtrante.
	Raccords et conduites d'air défectueux	Vérifiez tous les raccords et serrez-les ou remplacez-les.
	Desserrez ou ouvrez la vanne de purge.	Serrez/fermez la vanne de purge.
	Pressostat défectueux.	Demandez à votre centre de service après-vente agréé local de faire la réparation.
	Utilisation excessive d'air.	Diminuez l'utilisation d'air. Le compresseur pourrait ne pas être suffisamment puissant pour le besoin de l'outil. Il est recommandé d'utiliser les compresseurs d'air à 50 % ou moins du cycle de service.
	Pompe de compresseur d'air défectueuse (les garnitures de piston sont usées ou les soupapes d'entrée/sortie sont brisées)	Demandez à votre centre de service après-vente agréé local de faire la réparation.

ACCESSOIRES EN OPTION

⚠ MISE EN GARDE : Ces accessoires ou pièces complémentaires Makita sont recommandés pour l'utilisation avec l'outil Makita spécifié dans ce manuel. L'utilisation de tout autre accessoire ou pièce complémentaire peut entraîner une grave blessure.

⚠ MISE EN GARDE : N'utilisez les accessoires ou pièces complémentaires Makita qu'aux fins auxquelles ils ont été conçus. L'utilisation inadéquate d'un accessoire ou d'une pièce complémentaire peut entraîner une grave blessure.

Si vous désirez obtenir plus de détails sur ces accessoires, veuillez contacter le centre de service après-vente Makita le plus près.

- Tuyau d'air
- Chargeur et batterie authentiques Makita

NOTE : Certains éléments de la liste peuvent être inclus avec l'outil comme accessoires standards. Ils peuvent varier suivant les pays.

GARANTIE LIMITÉE MAKITA

Pour les conditions de garantie en vigueur qui s'appliquent à ce produit, veuillez vous reporter à la feuille de garantie en annexe. Si la feuille de garantie en annexe n'est pas disponible, reportez-vous aux détails de la garantie présentés sur le site Web de votre pays, ci-dessous.

États-Unis d'Amérique: www.makitatools.com

Canada: www.makita.ca

Autres pays: www.makita.com

ESPECIFICACIONES

Modelo:	AC001G
SCFM @ 90 PSIG (L/min @ 0,62 MPa)	1,2 SCFM (34 L/min)
Presión de conexión	0,72 MPa (105 PSIG)
Presión de desconexión	0,93 MPa (135 PSIG)
Presión máxima de salida	0,93 MPa (135 PSIG)
Perforación x carrera x cantidad	36 mm (1-7/16") x 30 mm (1-3/16") x 1
RPM del motor	6 000r/min
Tamaño del tanque	7,6 L (2 gal)
Lubricación	Sin aceite
Tensión nominal	36 V - 40 V c.c. máx.
Dimensiones (La x An x Al)	302 mm x 402 mm x 382 mm (11-7/8" x 15-3/4" x 15")
Peso neto	10,1 - 10,7 kg (22,3 - 23,6 lbs)
Homologado por UL para Canadá y los EE. UU.	SI

- Debido a nuestro continuo programa de investigación y desarrollo, las especificaciones aquí incluidas están sujetas a cambio sin previo aviso.
- Las especificaciones y el cartucho de batería pueden variar de país a país.

Cartucho de batería y cargador aplicables





Cartucho de batería	BL4020 / BL4025 / BL4040* / BL4050F* * : Batería recomendada
Cargador	DC40RA / DC40RB / DC40RC

- Algunos de los cartuchos de batería y cargadores enumerados arriba podrían no estar disponibles dependiendo de su área de residencia.

⚠ ADVERTENCIA: Use únicamente los cartuchos de batería y los cargadores de Makita indicados arriba. El uso de cualquier otro cartucho de batería y cargador podría ocasionar una lesión o un incendio.

Símbolos

A continuación se muestran los símbolos que pueden ser utilizados para el equipo. Asegúrese de que entienda su significado antes de utilizar.

	Lea el manual de instrucciones.
	Ponga especial atención y tenga cuidado.
V	volts o voltios
A	amperes
	corriente directa o continua
	velocidad sin carga
... /min r /min	revoluciones o alternaciones por minuto, frecuencia de rotación

INSTRUCCIONES IMPORTANTES DE SEGURIDAD

IMPORTANTE: Lea las Pautas de seguridad y **TODAS** las instrucciones detenidamente antes de funcionamiento.
www.makitatools.com
www.makita.ca

GUARDE ESTAS INSTRUCCIONES.

⚠ ADVERTENCIA:

- EL FUNCIONAMIENTO O MANTENIMIENTO INCORRECTO DE ESTE PRODUCTO PODRÍA RESULTAR EN LESIONES GRAVES Y DAÑOS A LA PROPIEDAD.
- ANTES DE UTILIZAR ESTE EQUIPO, LEA Y ENTIENDA TODAS LAS ADVERTENCIAS E INSTRUCCIONES DE FUNCIONAMIENTO.

- Conserve este manual de instrucciones para su referencia e instrucciones para otros. Cuando preste el compresor y las herramientas neumáticas, hágalo solo a personas que hayan demostrado tener experiencia, y entrégueles también el manual de instrucciones.
- Los operadores principiantes o sin experiencia deben estar capacitados en el funcionamiento. Nunca permita que los niños o personas no familiarizadas con las instrucciones usen el compresor y las herramientas neumáticas.

ADVERTENCIA:

Seguridad en el área de trabajo

- Mantenga su lugar de trabajo limpio y bien iluminado. Las áreas oscuras y desordenadas son propensas a accidentes.
- No utilice el compresor en atmósferas explosivas, tal como en la presencia de líquidos, gases o polvo inflamables. El compresor crea chispas que pueden prender fuego al polvo o los humos.
- Mientras utiliza una herramienta neumática, mantenga alejados a transeúntes, niños y visitantes. Las distracciones le pueden hacer perder el control. Proteja a otras personas en el área de trabajo de escombros, como virutas y chispas. Coloque barreras o escudos según sea necesario. Nunca se debe permitir que los niños entren en el área de trabajo.
- La temperatura ambiente adecuada es de + 5 °C a + 30 °C (40 °F a 86 °F). (0 °C a + 40 °C (32 °F a 104 °F) al máximo)

ADVERTENCIA:

Riesgo de operación insegura

QUÉ PUEDE PASAR

El funcionamiento inseguro de su compresor de aire podría provocar lesiones graves a usted o a otras personas.

CÓMO EVITARLO

- Revise y entienda todas las instrucciones y advertencias de este manual.
- Familiarícese con el funcionamiento y los controles del compresor de aire.
- Mantenga el área de operación completamente despejada de personas, mascotas y obstáculos.
- Mantenga a los niños alejados del compresor de aire en todo momento.
- No opere el producto si está cansado o bajo la influencia de alcohol o medicamentos. Esté alerta en todo momento. Las distracciones le pueden hacer perder el control.
- Nunca anule las características de seguridad de este producto.
- Tenga un extintor de incendios en el área de operación.
- No opere la máquina con piezas faltantes, rotas o no autorizadas.
- Antes de usar el compresor, revíselo siempre para una operación segura. Si hay una desalineación o atoramiento de las partes móviles, rotura de una parte u otra falla funcional, revise el compresor antes de usarlo. Muchos de los accidentes son ocasionados por productos que no han recibido un mantenimiento adecuado.

ADVERTENCIA:

Riesgo de explosión del tanque de aire



QUÉ PUEDE PASAR

Las siguientes condiciones pueden conducir a un debilitamiento del tanque y RESULTAR EN UNA EXPLOSIÓN VIOLENTA DEL TANQUE QUE RESULTE EN LESIONES GRAVES PARA USTED U OTROS:

- No drenar correctamente el agua condensada del tanque, que cause óxido y adelgazamiento de la pared del tanque.
- Modificaciones o intentos de reparación del tanque.
- Modificaciones no autorizadas al interruptor de presión, válvula de seguridad o cualquier otro componente que controle la presión del tanque.

CÓMO EVITARLO

- Drene el tanque de aire diariamente o después de cada uso. Si el tanque de aire tiene una fuga, reemplácelo inmediatamente con un tanque nuevo, o reemplace todo el compresor.
- No taladre, suelde ni modifique de ningún otro modo el tanque de aire, o este se debilitará. El tanque podría romperse o explotar. Reemplácelo con un tanque de aire nuevo.
- Siga las recomendaciones de los fabricantes de equipos, y nunca exceda la clasificación de presión máxima permitida de los aditamentos. No utilice nunca el compresor para inflar objetos pequeños de baja presión como juguetes para niños, balones de fútbol, balones de baloncesto, etc.

ADVERTENCIA:

Riesgo de rotura de aditamentos y accesorios

NO AJUSTE EL REGULADOR QUE RESULTE EN UNA PRESIÓN DE SALIDA SUPERIOR A LA PRESIÓN MÁXIMA MARCADA DEL ACCESORIO.



ADVERTENCIA:

Riesgo de rotura de aditamentos y accesorios



QUÉ PUEDE PASAR

- Exceder la presión nominal de las herramientas neumáticas, pistolas pulverizadoras, accesorios operados por aire, llantas y otros productos inflables puede hacer que estos exploten o se rompan, y podría resultar en lesiones graves para usted y otras personas.
- Siga siempre todas las reglas de seguridad recomendadas por el fabricante de su herramienta neumática, además de todas las reglas de seguridad para el compresor de aire. Seguir esta regla reducirá el riesgo de lesiones personales graves.

ADVERTENCIA:

Riesgo cuando se inflan neumáticos

QUÉ PUEDE PASAR

Inflar demasiado los neumáticos puede provocar lesiones graves y daños a la propiedad.

CÓMO EVITARLO

- Compruebe la presión de los neumáticos antes de cada uso con un manómetro. Mientras infla los neumáticos, confirme la presión correcta de estos con la información escrita en la pared lateral del neumático.

NOTA: Los equipos utilizados para inflar neumáticos (como tanques de aire y compresores) pueden inflar neumáticos pequeños o similares muy rápidamente. Ajuste el suministro de aire para que sea igual o menor que la clasificación de presión de los neumáticos. Para evitar el inflado excesivo, suministre aire poco a poco y verifique con frecuencia la presión de aire del neumático con un manómetro.

ADVERTENCIA:

Riesgo de choque eléctrico



QUÉ PUEDE PASAR

Su compresor de aire funciona con electricidad. Como cualquier otro dispositivo de alimentación eléctrica, si no se utiliza correctamente, podría provocar una descarga eléctrica.

CÓMO EVITARLO

- Cualquier cableado eléctrico o reparaciones que se requieran para este producto deben ser realizados por personal de servicio calificado o por un electricista autorizado, de acuerdo con las leyes eléctricas nacionales y locales.
- Nunca opere el compresor al aire libre cuando llueve o en un ambiente húmedo.
- Nunca opere el compresor con protectores o cubiertas que estén dañadas o sin ellas.
- Para reducir el riesgo de choque eléctrico, no lo exponga a la lluvia. Almacénelo en interiores.
- No exponga el compresor a la lluvia ni a la humedad. El agua que ingrese al compresor incrementará el riesgo de descarga eléctrica.
- Evite el contacto del cuerpo con superficies conectadas a tierra o puestas a tierra tales como tubos, radiadores, cocinas y refrigeradores. Si su cuerpo es puesto a tierra o conectado a tierra existirá un mayor riesgo de que sufra una descarga eléctrica.

ADVERTENCIA:

Riesgo de explosión o incendio



QUÉ PUEDE PASAR

Cuando el compresor arranca o se detiene, es normal que los contactos eléctricos dentro del motor y el interruptor de presión echen chispas. Nunca opere el compresor en una atmósfera donde haya vapores inflamables. Si lo hace, puede provocarle lesiones graves a usted o a otras personas.

CÓMO EVITARLO

- Siempre opere el compresor en un área bien ventilada, libre de gasolina o vapores de solventes.
- No utilice líquido inflamable en un área confinada.
- Ventile siempre el área de pulverización.
- No fume durante la pulverización, ni pulverice hacia un lugar donde se generen chispas o llamas.
- Mantenga los compresores lo más alejados posible del área de pulverización, dejando una distancia de al menos 6,1 m (20 ft) del área de pulverización y de todos los materiales inflamables.
- Almacene los materiales inflamables en un lugar seguro lejos del compresor.

ADVERTENCIA:

Riesgo al respirar



QUÉ PUEDE PASAR

- El aire comprimido de su compresor no es seguro para respirar. La corriente de aire puede contener monóxido de carbono u otros vapores, o partículas del tanque u otros componentes.
- Los materiales pulverizados como pintura, solventes de pintura, removedor de pintura, insecticidas, herbicidas, etc., contienen vapores y venenos nocivos.
- Respirar el vapor del compresor o de los materiales pulverizados puede provocar lesiones graves.

CÓMO EVITARLO

- Nunca inhale aire del compresor, ya sea directamente o de un dispositivo de respiración conectado al compresor.
- Trabaje en un área equipada con buena ventilación cruzada.
- Lea y siga las instrucciones de seguridad provistas en la etiqueta o la hoja de datos de seguridad del material que está rociando. Use un respirador aprobado diseñado para usarse con su aplicación específica.
- No cargue el compresor mientras pinta.

ADVERTENCIA:

Riesgo de ruido

- Use protección para los oídos para protegerlos contra el ruido del escape y el ruido durante el funcionamiento.

ADVERTENCIA:

Riesgo por el aire comprimido



QUÉ PUEDE PASAR

La corriente de aire comprimido puede dañar los tejidos blandos y puede impulsar la suciedad, las virutas, las partículas sueltas y los objetos pequeños a alta velocidad, provocando daños a la propiedad o lesiones personales.

CÓMO EVITARLO

- Siempre use gafas de seguridad aprobados con protectores laterales cuando use o mantenga el compresor.
- Nunca apunte ninguna boquilla o pulverizador hacia ninguna parte del cuerpo ni hacia otras personas o animales.
- Siempre apague el compresor y purgue la presión de la línea de aire antes de intentar el mantenimiento, colocar herramientas o accesorios.

ADVERTENCIA:

Riesgo de partes en movimiento



QUÉ PUEDE PASAR

El compresor cicla automáticamente cuando el interruptor de encendido / apagado automático está en la posición de encendido / automático. Si intenta reparar o realizar mantenimiento mientras el compresor está funcionando o enchufado, puede exponerse a las piezas móviles.

Estas piezas móviles pueden provocar lesiones graves.

CÓMO EVITARLO

- Siempre apague el interruptor de encendido / apagado automático y retire el cartucho de batería. Después de eso, libere la presión de aire del tanque y cualquier aditamento antes de intentar cualquier mantenimiento o reparación.
- Nunca opere el compresor con protectores o cubiertas que estén dañadas o sin ellas.
- Mantenga el cabello, la ropa y los guantes alejados de las piezas móviles. Las prendas de vestir holgadas, las alhajas y el cabello largo suelto podrían engancharse en las piezas móviles.
- Las rejillas de ventilación podrían cubrir las partes móviles y también deben evitarse.

ADVERTENCIA:

Riesgo de quemaduras

- ¡No opere el compresor portátil con las puertas o gabinetes abiertos!
- ¡No abra la llave antes de conectar la manguera de aire!



QUÉ PUEDE PASAR

El contacto con piezas calientes como el cabezal del compresor o los tubos de salida podría provocar quemaduras graves en la piel.

CÓMO EVITARLO

- Nunca toque componentes calientes durante o inmediatamente después del funcionamiento del compresor. No extienda las manos alrededor de las cubiertas protectoras ni intente realizar tareas de mantenimiento hasta que se haya dejado enfriar el compresor.
- Sostenga siempre la manija cuando mueva o transporte el compresor.
- Durante el uso del compresor y dentro de una hora después de su uso, no toque las partes calientes como el cilindro, el cabezal del cilindro y la manguera de escape. Estas piezas se calientan y pueden ocasionar lesiones por quemaduras.

ADVERTENCIA:

Transporte

- Sujete siempre la manija cuando manipule, levante, mueva o transporte el compresor. No intente tirar o transportar el compresor de aire por la manguera. Hacerlo podría dañar el compresor o la manguera.
- Lleve el compresor de la forma correcta. Transportar y levantar el compresor de forma incorrecta podría dañarlo.
- El bisel máximo durante la tracción es de al menos 30°.
- No aplique vehículos para tracción.
- No coloque el compresor bajo entornos inflamables, explosivos o erosivos.
- Para evitar una puesta en marcha involuntaria;
 - no transporte el compresor una gran distancia;
 - no transporte el compresor con el tanque de aire lleno de aire comprimido, y;
 - no lo lleve a situaciones potencialmente peligrosas, como en un vehículo o en una escalera o andamio.

Seguridad eléctrica y de la batería

1. Evite los entornos peligrosos. No utilice la herramienta en lugares húmedos o mojados ni la exponga a la lluvia. El agua que ingrese a la herramienta incrementará el riesgo de descarga eléctrica.
2. Evite una puesta en marcha accidental. Asegúrese de que el interruptor esté en la posición apagada antes de conectar el paquete de baterías, levantar la herramienta o cargarla. Cargar la herramienta con su dedo en el interruptor o pasar energía a la herramienta con el interruptor encendido puede propiciar accidentes.
3. Desconecte el paquete de baterías de la herramienta antes de hacer cualquier ajuste, cambiar accesorios o almacenar la herramienta. Estas medidas de seguridad preventivas reducen el riesgo de poner en marcha la herramienta accidentalmente.
4. Recargue sólo con el cargador especificado por el fabricante. Un cargador que sea adecuado para un tipo específico de paquete de batería puede generar un riesgo de incendio al usarse con un paquete de batería distinto.
5. Use las herramientas únicamente con los paquetes de baterías designados específicamente para ellas. El uso de otros paquetes de baterías puede generar riesgo de lesiones e incendio.
6. Cuando no se esté usando el paquete de batería, manténgalo alejado de otros objetos metálicos, como sujetapapeles (clips), monedas, llaves, clavos, tornillos u otros objetos pequeños de metal que puedan crear una conexión entre una terminal y otra. Causar un cortocircuito en las terminales de la batería puede provocar quemaduras o incendio.
7. En condiciones de mal uso, podría escapar líquido de la batería; evite el contacto. Si toca el líquido accidentalmente, enjuague con agua. Si hay contacto del líquido con los ojos, solicite atención médica. El líquido expulsado de la batería puede causar irritación o quemaduras.
8. No utilice un paquete de baterías o una herramienta que esté dañado/dañada o haya sido modificado/modificada. Las baterías dañadas o modificadas podrían comportarse de manera impredecible causando un incendio, explosión o riesgo de lesión.
9. No exponga un paquete de baterías o una herramienta al fuego o a una temperatura excesiva. La exposición al fuego a una temperatura superior a 130 °C (265 °F) podría causar una explosión.
10. Siga todas las instrucciones relativas a la carga y no cargue el paquete de baterías o la herramienta fuera del rango de temperatura especificado en las instrucciones. Cargar de manera inapropiada o a temperaturas fuera del rango especificado podría dañar la batería e incrementar el riesgo de incendio.
11. Pida que el servicio lo realice un técnico en reparaciones calificado y que utilice únicamente piezas de repuesto idénticas a las originales. Esto garantizará que se mantenga la seguridad del producto.
12. No modifique ni intente reparar la herramienta ni el paquete de baterías salvo como se indique en las instrucciones para el uso y cuidado.

Instrucciones importantes de seguridad para el cartucho de batería

1. Antes de utilizar el cartucho de batería, lea todas las instrucciones e indicaciones de precaución en el (1) el cargador de batería, (2) la batería, y (3) el producto con el que se utiliza la batería.
2. No desarme ni modifique el cartucho de batería. Podría ocurrir un incendio, calor excesivo o una explosión.
3. Si el tiempo de operación se ha acortado en exceso, deje de operar de inmediato. Podría correrse el riesgo de sobrecalentamiento, posibles quemaduras e incluso explosión.
4. En caso de que ingresen electrolitos en sus ojos, enjuáguelos bien con agua limpia y consulte de inmediato a un médico. Esto podría ocasionar pérdida de visión.
5. Evite cortocircuitar el cartucho de batería:
 - (1) No toque las terminales con ningún material conductor.
 - (2) Evite guardar el cartucho de batería en un cajón junto con otros objetos metálicos, tales como clavos, monedas, etc.
 - (3) No exponga el cartucho de batería al agua o la lluvia.Un cortocircuito en la batería puede causar un flujo grande de corriente, sobrecalentamiento, posibles quemaduras e incluso una descompostura.
6. La temperatura de funcionamiento de este cartucho de batería está entre 0 °C y 40 °C (32 °F y 104 °F).
7. No guarde el cartucho de batería en lugares donde la temperatura pueda alcanzar -20 °C (-4 °F) o menos, o 40 °C (104 °F) o más.
8. No guarde ni utilice la herramienta y el cartucho de batería en lugares donde la temperatura pueda alcanzar o exceder los 50 °C (122 °F).
9. Nunca incinere el cartucho de batería incluso en el caso de que esté dañado seriamente o ya no sirva en absoluto. El cartucho de batería puede explotar si se tira al fuego.
10. No clave, corte, aplaste, lance o deje caer el cartucho de batería, ni golpee un objeto sólido contra el cartucho de batería. Dicha acción podría resultar en un incendio, calor excesivo o en una explosión.
11. No use una batería dañada.
12. Las baterías de ión de litio están sujetas a los requisitos reglamentarios en materia de bienes peligrosos.

Para el transporte comercial, por ej., mediante terceros o agentes de transporte, se deben tomar en cuenta los requisitos especiales relativos al empaque y el etiquetado.

Para efectuar los preparativos del artículo que se va a enviar, se requiere consultar a un experto en materiales peligrosos. Si es posible, consulte además otras regulaciones nacionales más detalladas.

Pegue o cubra con cinta adhesiva los contactos abiertos y empaque la batería de manera que ésta no pueda moverse dentro del paquete.

13. Para deshacerse del cartucho de batería, sáquelo de la herramienta y deséchelo en un lugar seguro. Siga las regulaciones locales relacionadas al desecho de las baterías.
14. Utilice las baterías únicamente con los productos especificados por Makita. Instalar las baterías en productos que no cumplan con los requisitos podría ocasionar un incendio, un calentamiento excesivo, una explosión o una fuga de electrolito.
15. Si no se utiliza la herramienta por un período largo, debe extraerse la batería de la herramienta.
16. El cartucho de batería podría absorber calor durante y después de su uso, lo que ocasionaría quemaduras o quemaduras a baja temperatura. Tenga cuidado con la manipulación de los cartuchos de batería que estén calientes.
17. No toque el terminal de la herramienta inmediatamente después de su uso, ya que el mismo podría estar lo suficientemente caliente como para provocar quemaduras.
18. No permita que las rebabas, el polvo o la tierra queden atrapados en los terminales, orificios y ranuras del cartucho de batería. Podría provocar calentamiento, incendio, explosión y mal funcionamiento de la herramienta o del cartucho de batería, lo que resultaría en quemaduras o lesiones personales.
19. No utilice el cartucho de batería cerca de cables eléctricos de alto voltaje, a menos que la herramienta sea compatible con el uso cercano a estos cables eléctricos de alto voltaje. Esto podría ocasionar una avería o descomposición de la herramienta o del cartucho de batería.
20. Mantenga la batería alejada de los niños.

GUARDE ESTAS INSTRUCCIONES.

⚠PRECAUCIÓN: Utilice únicamente baterías originales de Makita. El uso de baterías no originales de Makita, o de baterías alteradas, puede ocasionar que las baterías exploten causando un incendio, lesiones personales y daños. Asimismo, esto invalidará la garantía de Makita para la herramienta y el cargador Makita.

Consejos para alargar al máximo la vida útil de la batería

1. Cargue el cartucho de batería antes de que se descargue completamente. Pare siempre la operación y cargue el cartucho de batería cuando note menos potencia en la herramienta.
2. No cargue nunca un cartucho de batería que esté completamente cargado. La sobrecarga acortará la vida de servicio de la batería.
3. Cargue el cartucho de batería a una temperatura ambiente de 10 °C - 40 °C (50 °F - 104 °F). Si un cartucho de batería está caliente, déjelo enfriar antes de cargarlo.
4. Cuando no utilice el cartucho de batería, sáquelo de la herramienta o del cargador.
5. Cargue el cartucho de batería si no va a utilizarlo durante un período prolongado (más de seis meses).

INTRODUCCIÓN

Información general

Este compresor de aire está equipado con una bomba sin aceite diseñada para brindar durabilidad y sin mantenimiento.

El compresor se puede utilizar para clavadoras y engrapadoras neumáticas con la clasificación adecuada. Se suministra un regulador de presión de aire para estas aplicaciones.

Uso pretendido

Este compresor de aire está diseñado para aplicaciones de clavado y engrapado de acabado profesional.

⚠ADVERTENCIA: Nunca use el compresor para aplicaciones que no sean para operar una clavadora o engrapadora con la clasificación adecuada. El uso del compresor para otras aplicaciones podría resultar en daños a la propiedad y lesiones personales.

Cuando corresponda, deben utilizarse transformadores de aire separados que combinen las funciones de regulación del aire o eliminación de humedad y suciedad.

⚠ADVERTENCIA: Utilice el manómetro solo como referencia. Compruebe la presión de aire mediante un aparato de medida calibrado durante y después de inflar objetos.

Descripción de las piezas

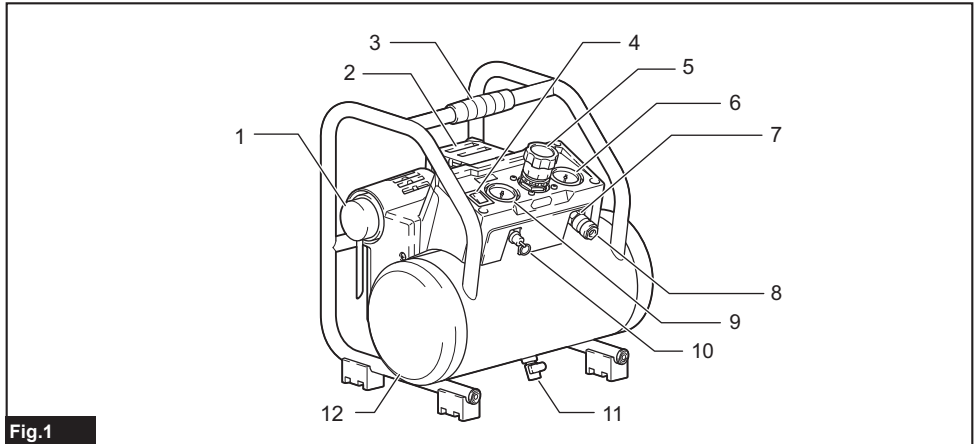


Fig.1

1	Filtro de aire (toma de aire)	2	Cartucho de batería	3	Mango portador	4	Interruptor de encendido / apagado automático
5	Regulador	6	Manómetro de salida	7	Salida de aire (NPT 1/4)	8	Acoplador rápido (específico para el país)
9	Manómetro de tanque	10	Válvula de seguridad	11	Válvula de drenado	12	Tanque de aire

⚠PRECAUCIÓN: Utilice siempre los accesorios y aditamentos recomendados para uso con los productos Makita. El no hacerlo podría ocasionar lesiones personales. Los accesorios y aditamentos deben usarse para su propósito original. Si necesita ayuda, pregunte a su centro de servicio local Makita.

Glosario

SCFM: Pies cúbicos estándar por minuto; una unidad de medida de suministro de aire.

PSIG: Libras por pulgada cuadrada de calibre; una unidad de medida de presión.

MPa (megapascal): Medición métrica de la presión. 1 megapascal equivale a 10 bar.

Presión de conexión: Mientras el motor está apagado, la presión del tanque de aire cae a medida que continúa usando su accesorio o herramienta neumática. Cuando la presión del tanque cae a un cierto nivel, el motor se reiniciará automáticamente; este reinicio se denomina "presión de conexión".

Presión de desconexión: Cuando enciende el compresor de aire, comienza a acumularse, y la presión de aire en el tanque de aire comienza a acumularse. Se acumula a cierta presión antes de que el motor se apague automáticamente, lo que protege su tanque de aire de una presión superior a la nominal de diseño. La presión a la que se apaga el motor se denomina "presión de desconexión".

Inspección a la recepción

DAÑO: Cada equipo de compresor de aire se prueba y verifica cuidadosamente antes del envío. Con un manejo inadecuado, podrían resultar daños durante el tránsito y causar problemas con el funcionamiento del compresor. Inmediatamente después de su llegada, verifique el equipo para buscar daños visibles y ocultos y evitar gastos para corregir dichos problemas. Esto debe hacerse independientemente de cualquier signo visible de daño en el contenedor de envío. Si este producto se le envió directamente a usted, reporte cualquier daño al transportista y haga arreglos para que inspeccionen la mercancía de inmediato.

Procedimientos de instalación y de adaptación

Ubicación del compresor de aire

Coloque el compresor de aire en un área limpia, seca y bien ventilada. El filtro de aire debe mantenerse libre de obstrucciones que podrían reducir el suministro de aire del compresor de aire. El compresor de aire debe ubicarse al menos a 305 mm (12") de distancia de la pared o de otras obstrucciones que interferirán con el flujo de aire. El cabezal y la cubierta del compresor de aire están diseñados para permitir un enfriamiento adecuado.

Si la humedad es alta, se puede instalar un filtro de aire en el adaptador de salida de aire para eliminar la humedad excesiva. Siga las instrucciones que vienen con el filtro de aire para una instalación adecuada.

Coloque el compresor de aire sobre una superficie plana, de modo que descanse de forma segura sobre las patas de goma.

⚠ADVERTENCIA: Riesgo de caída

QUÉ PUEDE PASAR

El compresor de aire puede caerse de una mesa, banco de trabajo o techo, causando daños al compresor y podría resultar en lesiones graves o la muerte del operador.

CÓMO EVITARLO

Siempre opere el compresor en una posición estable y segura para evitar movimientos accidentales del compresor. Nunca opere el compresor en un techo u otra posición elevada. Use una manguera de aire adicional para alcanzar ubicaciones elevadas.

Temperatura de operación

La temperatura de funcionamiento de este compresor está entre 0 °C y 40 °C (32 °F y 104 °F).

⚠PRECAUCIÓN: Nunca opere el compresor a temperaturas inferiores a 0 °C (32 °F) y superiores a 40 °C (104 °F).

Ciclo de funcionamiento

Se recomienda que todos los compresores de aire fabricados por Makita funcionen en un ciclo de trabajo de no más del 50%. Esto significa que un compresor de aire que bombea aire más del 50% en una hora se considera con un mal uso, porque el compresor de aire no tiene el tamaño suficiente para la demanda de aire requerida.

Tuberías

Los tubos de plástico o PVC no están diseñados para usarse con aire comprimido. Independientemente de su clasificación de presión indicada, los tubos de plástico pueden explotar debido a la presión del aire. Utilice únicamente tubos de metal para las líneas de distribución de aire. Si es necesaria una tubería, utilice tubos del mismo tamaño o más grandes que la salida del tanque de aire. La tubería que sea demasiado pequeña restringirá el flujo de aire. Si la tubería es de más de 30,5 m (100 ft) de largo, use el siguiente tamaño más grande. Entierre las líneas subterráneas debajo de la línea de congelación, y evite los espacios donde la condensación puede acumularse y congelarse. Aplique presión antes de cubrir las líneas subterráneas para asegurarse de que todas las juntas de los tubos no tengan fugas.

Sistema de protección de batería

El compresor está equipado con un sistema de protección de la batería. Este sistema corta automáticamente la alimentación al motor para prolongar la vida del compresor y la batería. El compresor se detendrá automáticamente durante la operación si el compresor / batería se someten a una de las siguientes condiciones:

Sobrecarga

El compresor / batería se utilizan de una manera que causa que se consuma una cantidad de corriente inusualmente alta. En este caso, apague el compresor y detenga la aplicación que causó que el compresor se sobrecargara. Luego, encienda el compresor para rearmar.

Si el compresor no arranca, significa que la batería se sobrecalentó. En este caso, espere a que la batería se enfríe antes de volver a encender el compresor.

Bajo voltaje de la batería

La capacidad restante de la batería es demasiado baja y el compresor no funcionará. Si enciende la herramienta, el motor volverá a funcionar pero se detendrá al poco tiempo. En este caso, retire el cartucho de batería y vuelva a cargarlo.

Protección contra otras causas

El sistema de protección también está diseñado para otras causas que podrían dañar el compresor, y permite que la herramienta se detenga automáticamente. Siga todos los pasos a continuación para eliminar las causas cuando el compresor se haya detenido temporalmente o se haya detenido durante el funcionamiento.

1. Apague el compresor, y luego enciéndala nuevamente para reiniciarla.
2. Cargue la batería o reemplácela con una batería recargada.
3. Deje enfriar el compresor y la batería.

Si no hay ninguna mejora al restaurar el sistema de protección, comuníquese con su centro local de servicio Makita.

OPERACIÓN

Instalación o extracción del cartucho de batería

⚠PRECAUCIÓN: Apague siempre la herramienta antes de colocar o quitar el cartucho de batería.

⚠PRECAUCIÓN: Sujete la herramienta y el cartucho de la batería con firmeza al colocar o quitar el cartucho de batería. Si no se sujeta con firmeza la herramienta y el cartucho de batería, puede ocasionar que se resbalen de sus manos causando daños a la herramienta y al cartucho de batería, así como lesiones a la persona.

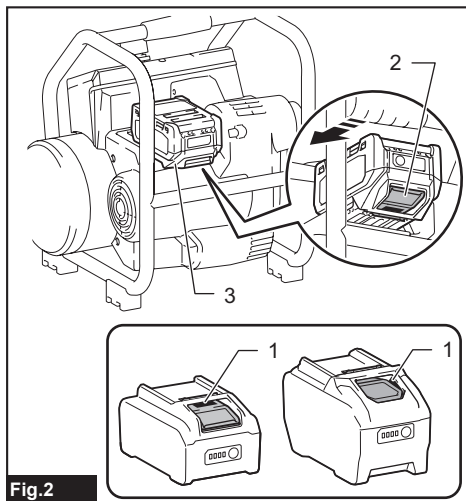


Fig.2

► 1. Indicador rojo 2. Botón 3. Cartucho de batería

Para quitar el cartucho de batería, deslícelo de la herramienta mientras desliza el botón sobre la parte delantera del cartucho.

Para instalar el cartucho de batería, alinee la lengüeta sobre el cartucho de batería con la ranura en la carcasa y deslícela hasta su lugar. Insértelo por completo hasta que se fije en su lugar con un pequeño clic. Si puede ver el indicador rojo como se muestra en la ilustración, este no ha quedado asegurado por completo.

Interruptor de presión:

El interruptor de presión enciende automáticamente el motor cuando la presión del tanque de aire cae a la presión de "conexión" configurada en fábrica. Detiene el motor cuando la presión del tanque de aire alcanza la presión de "desconexión" configurada en fábrica.

Válvula de seguridad:

Si el interruptor de presión no apaga el compresor de aire en su ajuste de presión de "desconexión", la válvula de seguridad lo protegerá contra la alta presión "saltando" a su presión establecida de fábrica, que es ligeramente superior a la del ajuste del interruptor de presión de "desconexión".

Manómetro de salida:

El manómetro de salida indica la presión de aire disponible en el lado de salida del regulador. Esta presión es controlada por el regulador, y siempre es menor o igual a la presión del tanque.

Manómetro de tanque:

El manómetro de tanque indica la presión de aire en el tanque.

Regulador:

La presión de aire proveniente del tanque de aire se controla mediante la perilla del regulador. Gire la perilla en el sentido de las manecillas del reloj para aumentar la presión y en el sentido contrario de las manecillas del reloj para disminuirla. Para evitar reajustes menores después de realizar un cambio en el ajuste de presión, siempre acérquese a la presión deseada desde una presión más baja. Al reducir de un ajuste más alto a uno más bajo, primero reduzca a un poco la presión por debajo de la presión deseada. Dependiendo de los requisitos de aire de cada accesorio en particular, es posible que la presión de aire regulada de salida deba ajustarse mientras está operando el accesorio.

Salida de aire:

Para una herramienta neumática con presión normal, utilice la presión máxima de salida; 0,93 MPa (135 PSIG).

Cuando utilice un acoplador rápido en el mercado, insértelo en la salida de aire usando las dos llaves como se muestra en la figura.

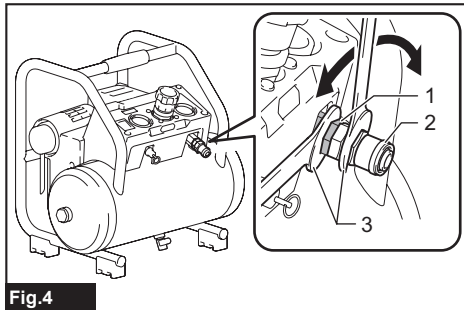


Fig.4

► 1. Salida de aire 2. Acoplador rápido 3. Llave

NOTA: Si el acoplador rápido no tiene ningún método de sellado de aire, recomendamos aplicar una medida adecuada como una cinta de sellado.

Lista de verificación de arranque diario

⚠ADVERTENCIA: No utilice la herramienta eléctrica si el interruptor no la enciende ni apaga. Cualquier herramienta eléctrica que no pueda ser controlada con el interruptor es peligrosa y deberá ser reparada.

Verificación de la válvula de seguridad

Tire del anillo de la válvula de seguridad para asegurarse de que la válvula de seguridad opere libremente. Si la válvula está atascada o no funciona con suavidad, deberá reemplazarse.

⚠ADVERTENCIA: Cuando el tanque esté bajo presión, nunca tire del anillo de la válvula de seguridad.

Conexión de mangueras

⚠ADVERTENCIA: Riesgo de operación insegura

- **Agarre firmemente la manguera con la mano cuando la instale, para evitar que se mueva. La pérdida del control de la manguera podría resultar en lesiones personales y daños a la propiedad.**
- **Siga siempre todas las reglas de seguridad recomendadas por el fabricante de mangueras, conectores, herramientas neumáticas y accesorios, además de todas las reglas de seguridad para el compresor de aire. Seguir esta regla reducirá el riesgo de lesiones personales graves.**

1. Antes de conectar la manguera de aire o los accesorios, asegúrese de que la palanca del interruptor de encendido / apagado automático esté en la posición "Apagado", que se haya extraído la batería y que el regulador de aire o la válvula de cierre estén cerrados.
2. Conecte la manguera y los accesorios. Demasiada presión de aire ocasiona un riesgo peligroso de explosión. Verifique la clasificación nominal de presión máxima del fabricante para herramientas neumáticas y accesorios. La presión de salida del regulador nunca debe exceder la presión nominal máxima.

AVISO: Se recomiendan presiones de aire por encima de 0,7 MPa (100 PSIG). Las mangueras de suministro deben estar provistas de un cordón de seguridad, como un cable metálico.

3. Instale el cartucho de batería y coloque el interruptor de encendido / apagado automático en "Encendido / automático", y deje que se acumule la presión del tanque. El motor se detendrá cuando la presión del tanque alcance la presión de "desconexión".
4. Abra el regulador al girarlo en el sentido de las manecillas del reloj. Ajuste el regulador a la configuración de presión correcta. Su compresor está listo para usarse.

5. Siempre opere el compresor de aire en áreas bien ventiladas, libres de gasolina u otros vapores de solventes. No opere el compresor cerca del área de pulverización.

Cuando termine:

Desconexión de mangueras

⚠ADVERTENCIA: Riesgo de operación insegura

- Agarre firmemente la manguera con la mano cuando la desconecte, para evitar que se mueva. La pérdida del control de la manguera podría resultar en lesiones personales y daños a la propiedad.
- Los tanques de aire contienen aire a alta presión. Mantenga la cara y otras partes del cuerpo alejadas de la salida del drenado. Siempre use gafas de seguridad aprobadas con protectores laterales al drenar, ya que los escombros pueden salir arrojados hacia la cara.

1. Ponga el interruptor de encendido / apagado automático en «Apagado», y retire el cartucho de batería.
2. Gire el regulador en sentido inverso al de las manecillas del reloj para ajustar la presión de salida a cero.
3. Retire la herramienta neumática o el accesorio.
4. Abra la válvula de drenado ubicada en la parte inferior del tanque de aire. La presión del tanque debería estar por debajo de 0,14 MPa (20 PSIG) cuando se drena el tanque de aire.
5. Inclíne el tanque para que la válvula de drenado quede directamente debajo y drene.

⚠ADVERTENCIA: Riesgo de explosión

Inclíne el tanque para drenarlo.

⚠ADVERTENCIA: Para drenar el tanque, abra la válvula de drenado lentamente, e inclíne el compresor para vaciar el agua acumulada. Mantenga la cara y los ojos alejados de la válvula de drenado.

⚠ADVERTENCIA: SE CONDENSARÁ AGUA EN EL TANQUE DE AIRE. SI NO SE DRENA, EL AGUA CORROERÁ Y DEBILITARÁ EL TANQUE DE AIRE, CAUSANDO UN RIESGO DE ROTURA DEL TANQUE DE AIRE.

AVISO: Riesgo de daño a la propiedad
Drene siempre el agua del tanque de aire. El agua podría contener aceite y óxido que pueden provocar manchas.

NOTA: Si la válvula de drenado está enchufada, libere toda la presión de aire. La válvula puede entonces ser retirada, limpiada y ser reinstalada.

NOTA: El aire comprimido genera condensado que se acumula en el tanque, filtro u otras partes. El condensado contiene aceite lubricante o sustancias que pueden estar reguladas. Siga las normativas de su región al desechar el condensado.

6. Una vez que se haya drenado el agua, cierre la válvula de drenado. Ahora se puede almacenar el compresor de aire.

⚠ADVERTENCIA: Drene el tanque de aire adecuadamente. El drenado inadecuado del tanque de aire puede resultar en corrosión y posible explosión del tanque. La explosión del tanque podría provocar lesiones personales y daños a la propiedad.

MANTENIMIENTO

⚠ADVERTENCIA: Nunca use el compresor de aire que esté funcionando anormalmente.

Si el compresor de aire parece estar funcionando de manera inusual, haciendo ruidos o vibraciones extraños, deje de usarlo inmediatamente y haga arreglos para que lo reparen un centro de servicio autorizado de Makita.

⚠ADVERTENCIA: Use piezas de repuesto genuinas de Makita solamente.

Las piezas de repuesto no fabricadas por Makita pueden anular su garantía, y pueden provocar un mal funcionamiento y provocar lesiones. Las piezas originales de Makita están disponibles con un distribuidor autorizado.

⚠ADVERTENCIA: LA UNIDAD CICLA AUTOMÁTICAMENTE CUANDO ESTÁ ENCENDIDA. AL REALIZAR EL MANTENIMIENTO, PUEDE ESTAR EXPUESTO A FUENTES DE TENSIÓN, AIRE COMPRIMIDO O PIEZAS EN MOVIMIENTO. PUEDEN OCURRIR LESIONES PERSONALES. ANTES DE REALIZAR CUALQUIER MANTENIMIENTO O REPARACIÓN, SE APAGA LA HERRAMIENTA Y SE QUITA EL CARTUCHO DE BATERÍA Y SE PURGA TODA LA PRESIÓN DE AIRE.

⚠PRECAUCIÓN: Asegúrese siempre de que la herramienta esté apagada y el cartucho de batería extraído antes de intentar realizar una inspección o mantenimiento.

AVISO: Nunca use gasolina, bencina, diluyente (tíner), alcohol o sustancias similares. Puede que esto ocasione descoloramiento, deformación o grietas.

Para mantener la SEGURIDAD y FIABILIDAD del producto, las reparaciones, y cualquier otra tarea de mantenimiento o ajuste deberán ser realizadas en centros de servicio autorizados o de fábrica Makita, empleando siempre repuestos Makita.

Para asegurar un funcionamiento eficiente y una vida útil más prolongada de la unidad del compresor de aire, se debe preparar y seguir un programa de mantenimiento de rutina. El siguiente procedimiento está diseñado para una unidad en un entorno de trabajo normal que funciona a diario. Si es necesario, el programa debe modificarse para adaptarse a las condiciones en las que se utiliza su compresor. Las modificaciones dependerán de las horas de funcionamiento y del entorno de trabajo. Las unidades de compresor en un ambiente extremadamente sucio u hostil requerirán una mayor frecuencia de todas las revisiones de mantenimiento.

Rutina de mantenimiento

1. Drene el agua del tanque de aire, los separadores de humedad o los reguladores del filtro de aire.
2. Compruebe si hay ruidos o vibraciones inusuales.
3. Tire del anillo de la válvula de seguridad para asegurarse de que la válvula de seguridad opere libremente.

Si la válvula está atascada o no funciona con suavidad, deberá reemplazarse.

⚠ADVERTENCIA: Cuando el tanque esté bajo presión, nunca tire del anillo de la válvula de seguridad.

⚠ADVERTENCIA: Riesgo de explosión
Verifique la válvula de seguridad. Si la válvula de seguridad no funciona correctamente, la sobrepresurización del tanque de aire podría resultar en una ruptura o explosión, causando lesiones personales y daños a la propiedad.

4. Inspeccione el filtro de aire, reemplácelo si es necesario.
5. Inspeccione las líneas de aire y los accesorios en busca de fugas, y corrija según sea necesario. Cada año de funcionamiento o si se sospecha un problema, verifique el estado de la válvula de retención. Reemplácela si está dañada o desgastada.
6. Asegúrese de que todos los tornillos, pernos y cubiertas estén montados firmemente. Verifique las condiciones de los mismos periódicamente.

⚠ADVERTENCIA: Asegúrese de que todos los tornillos, pernos y cubiertas estén apretados apropiadamente. Si los tornillos, las placas o las cubiertas se aflojan, pueden producirse daños personales o materiales.

Intervalo recomendado de inspección y mantenimiento

Inspeccione y mantenga el compresor dentro del período que se describe en la siguiente tabla.

Pieza	Acción	Diario (antes y después del uso)	Semanal	Mensual	Trimestral
General	Inspeccione en búsqueda de ruido y vibración inusuales	✓	-	-	-
	Sacuda la suciedad y polvo con aire seco.	-	✓	-	-
Líneas de aire y acoplamientos	Inspeccione en búsqueda de fugas	✓	-	-	-
Tanque de aire	Extraiga todo el aire y drene la condensación en el tanque de aire (abra la válvula de drenado).	✓	-	-	-
	Inspeccione en búsqueda de arañazos, abolladuras o fugas.	✓	-	-	-
	Inspeccione en búsqueda de óxido, perforaciones u otras imperfecciones que podrían hacer que se vuelva inseguro.	-	-	-	✓
Pernos y tuercas	Inspeccione en búsqueda de hermeticidad.	-	✓	-	-
Mango	Limpie el aceite y la grasa.	-	✓	-	-
Válvula de seguridad	Verifique funcionamiento	-	✓	-	-
Presión de desconexión	Verifique y ajuste.	-	✓	-	-
Filtro de aire	Limpie o reemplace si es necesario.	-	-	✓	-

Lubricación

Este compresor de aire está equipado con una bomba sin aceite diseñada para brindar durabilidad y sin mantenimiento.

Almacenamiento

Antes de almacenar el compresor de aire, asegúrese de hacer lo siguiente:

- Revise las secciones de "MANTENIMIENTO" y "OPERACIÓN", y realice el mantenimiento según sea necesario. Asegúrese de drenar el agua del tanque de aire.
- Proteja la manguera de aire de daños (como pisadas o que sea atropellada).

Guarde el compresor de aire en un lugar limpio y seco.

RESOLUCIÓN DE PROBLEMAS

Antes de solicitar alguna reparación, primero realice una inspección por su cuenta. Si detecta algún problema que no esté explicado en el manual, no intente desensamblar la herramienta.

Estado de la anomalía	Causa probable (avería)	Remedio
El compresor no funciona.	La capacidad restante de la batería es demasiado baja.	Recargue el cartucho de batería.
	Interruptor de presión defectuoso.	Solicite la reparación en el centro de servicio autorizado de su localidad.
	La presión del tanque excede la presión de conexión del interruptor de presión.	El compresor se encenderá cuando la presión del tanque descienda a la presión de conexión.
	El sistema de apagado automático ha funcionado.	Apague el compresor, retire el cartucho de batería. Instale el cartucho de batería después de enfriar el compresor.
	Motor defectuoso.	Solicite la reparación en el centro de servicio autorizado de su localidad.
Liberación de la válvula de seguridad	Presión de desconexión del interruptor de presión demasiado alta.	Solicite la reparación en el centro de servicio autorizado de su localidad.
	Válvula de seguridad defectuosa.	Compruebe manualmente la válvula de seguridad: tire hacia arriba y suelte el anillo. Si persiste la condición, solicite la reparación en el centro de servicio autorizado de su localidad.
El sistema de apagado automático funciona repetidamente.	Ventilación deficiente. La temperatura ambiente es demasiado alta.	Mueva el compresor a un área bien ventilada.
	Sobrecarga eléctrica.	Apague el compresor y deje que se enfríe; retire y vuelva a instalar el cartucho de batería.
	Motor defectuoso.	Solicite la reparación en el centro de servicio autorizado de su localidad.
Hay una fuga de aire continua después de que el compresor se ha detenido.	Líneas de aire y acoplamientos sueltos.	Revise todas las conexiones con una solución de agua y jabón, y apriete.
	Válvula de drenado floja o abierta.	Apriete / cierre la válvula de drenado.
	Fuga de aire de la válvula de retención.	Solicite la reparación en el centro de servicio autorizado de su localidad.
El compresor funciona continuamente	El filtro de aire está sucio.	Limpie el filtro de aire, o reemplace el elemento del filtro.
	Líneas de aire y acoplamientos defectuosos	Verifique todas las conexiones, y apriéte las o reemplácelas.
	Válvula de drenado floja o abierta.	Apriete / cierre la válvula de drenado.
	Interruptor de presión defectuoso.	Solicite la reparación en el centro de servicio autorizado de su localidad.
	Uso de aire excesivo.	Disminuya el uso de aire. Es posible que el compresor no sea lo suficientemente grande para el requisito de la herramienta. Se recomienda que los compresores de aire funcionen con un ciclo de trabajo del 50% o menos.
	Bomba del compresor de aire defectuosa (los anillos del pistón están desgastados o las válvulas de entrada / salida están rotas)	Solicite la reparación en el centro de servicio autorizado de su localidad.

ACCESORIOS OPCIONALES

⚠️ ADVERTENCIA: Estos accesorios o aditamentos Makita están recomendados para utilizarse con su herramienta Makita que se especifica en este manual. El uso de cualquier otro accesorio o aditamento puede ocasionar lesiones personales graves.

⚠️ ADVERTENCIA: Use los accesorios o aditamentos Makita solamente para su propósito designado. El uso inapropiado de un accesorio o aditamento puede causar lesiones personales graves.

Si necesita cualquier ayuda para más detalles en relación con estos accesorios, pregunte a su centro de servicio local Makita.

- Manguera de aire
- Batería y cargador originales de Makita

NOTA: Algunos de los artículos en la lista pueden incluirse en el paquete de la herramienta como accesorios estándar. Éstos pueden variar de país a país.

GARANTÍA LIMITADA DE MAKITA

Ésta Garantía no aplica para México

Consulte la hoja de la garantía anexa para ver los términos más vigentes de la garantía aplicable a este producto. En caso de no disponer de esta hoja de garantía anexa, consulte los detalles sobre la garantía descritos en el sitio web de su país respectivo indicado a continuación.

Estados Unidos de América: www.makitatools.com

Canadá: www.makita.ca

Otros países: www.makita.com

< USA only >

WARNING

Some dust created by power sanding, sawing, grinding, drilling, and other construction activities contains chemicals known to the State of California to cause cancer, birth defects or other reproductive harm. Some examples of these chemicals are:

- lead from lead-based paints,
- crystalline silica from bricks and cement and other masonry products, and
- arsenic and chromium from chemically-treated lumber.

Your risk from these exposures varies, depending on how often you do this type of work. To reduce your exposure to these chemicals: work in a well ventilated area, and work with approved safety equipment, such as those dust masks that are specially designed to filter out microscopic particles.

< Sólo en los Estados Unidos >

ADVERTENCIA

Algunos polvos creados por el lijado, aserrado, esmerilado, taladrado y otras actividades de la construcción contienen sustancias químicas reconocidas por el Estado de California como causantes de cáncer, defectos de nacimiento y otros peligros de reproducción. Algunos ejemplos de estos productos químicos son:

- plomo de pinturas a base de plomo,
- sílice cristalino de ladrillos y cemento y otros productos de albañilería, y
- arsénico y cromo de maderas tratadas químicamente.

El riesgo al que se expone varía, dependiendo de la frecuencia con la que realice este tipo de trabajo. Para reducir la exposición a estos productos químicos: trabaje en un área bien ventilada y póngase el equipo de seguridad indicado, tal como las máscaras contra polvo que están especialmente diseñadas para filtrar partículas microscópicas.

Makita Corporation

3-11-8, Sumiyoshi-cho,
Anjo, Aichi 446-8502 Japan

www.makita.com

AC001G-NA3-2204
AC001G-1
EN, FRCA, ESMX
20220509