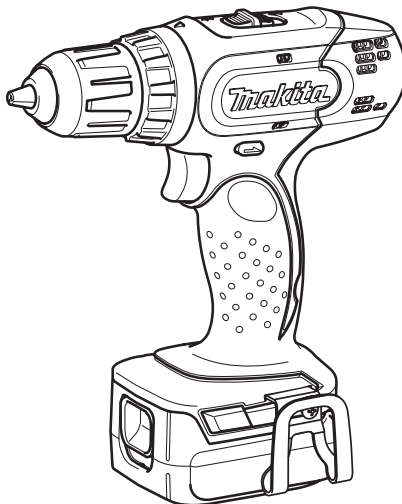
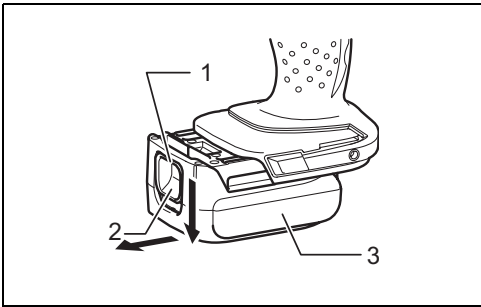




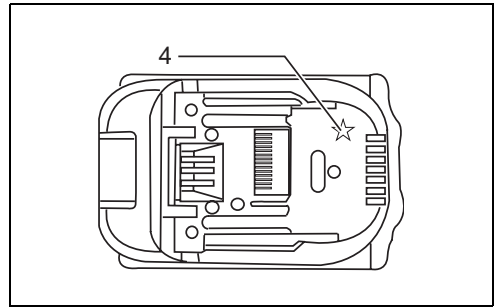
GB	Cordless Driver Drill	Instruction manual
ID	Bor Obeng Tanpa Kabel	Petunjuk penggunaan
VI	Máy khoan & vặn vít chạy pin	Tài liệu hướng dẫn
TH	สว่านไขควงแบบไร้สาย	คู่มือการใช้งาน

BDF343
BDF453

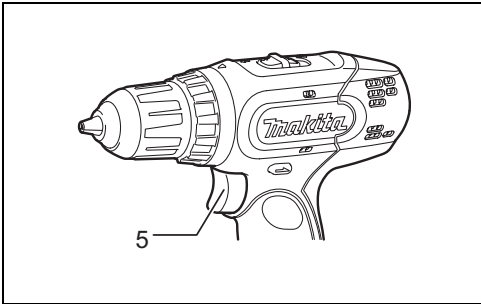




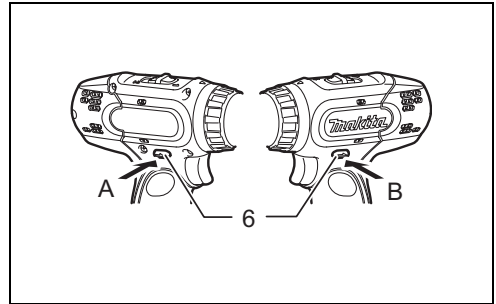
1 012153



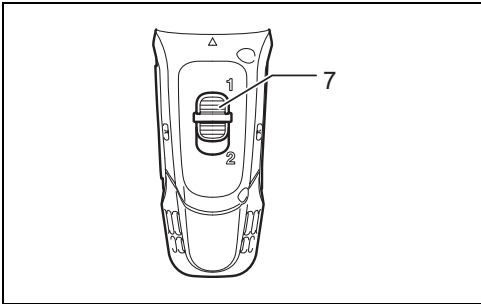
2 012128



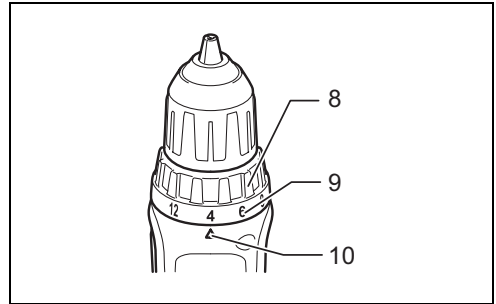
3 009077



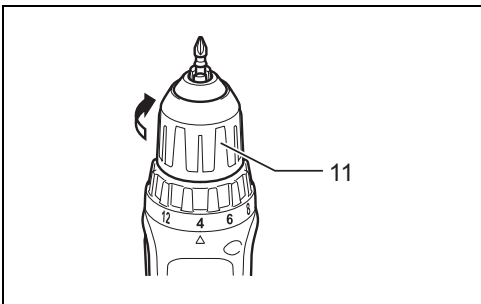
4 009078



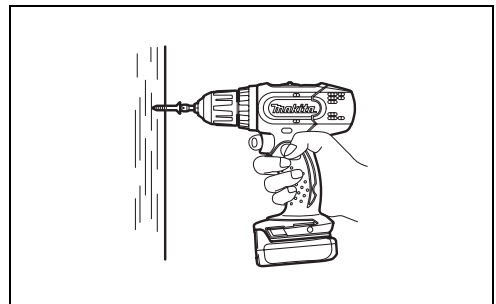
5 009079



6 009080



7 009081



8 009082

Explanation of general view

- | | | |
|----------------------|---------------------------|---------------|
| 1. Red indicator | 5. Switch trigger | 9. Graduation |
| 2. Button | 6. Reversing switch lever | 10. Pointer |
| 3. Battery cartridge | 7. Speed change lever | 11. Sleeve |
| 4. Star marking | 8. Adjusting ring | |

SPECIFICATIONS

Model		BDF343	BDF453
Capacities	Steel	10 mm	13 mm
	Wood	25 mm	36 mm
	Wood screw	5.1 mm x 63 mm	6 mm x 75 mm
	Machine screw	6 mm	
No load speed (min ⁻¹)	High (2)	0 - 1,300	
	Low (1)	0 - 400	
Overall length		192 mm	214 mm
Net weight		1.4 kg	1.6 kg
Rated voltage		D.C. 14.4 V	D.C. 18 V

- Due to our continuing programme of research and development, the specifications herein are subject to change without notice.
- Specifications and battery cartridge may differ from country to country.
- Weight, with battery cartridge, according to EPTA-Procedure 01/2003

Symbols

The following show the symbols used for the equipment. Be sure that you understand their meaning before use.



..... Read instruction manual.

END004-4

flammable liquids, gases or dust. Power tools create sparks which may ignite the dust or fumes.

3. **Keep children and bystanders away while operating a power tool.** Distractions can cause you to lose control.

Intended use

The tool is intended for drilling and screw driving in wood, metal and plastic.

ENE034-1

Electrical safety

4. **Power tool plugs must match the outlet. Never modify the plug in any way. Do not use any adapter plugs with earthed (grounded) power tools.** Unmodified plugs and matching outlets will reduce risk of electric shock.
5. **Avoid body contact with earthed or grounded surfaces such as pipes, radiators, ranges and refrigerators.** There is an increased risk of electric shock if your body is earthed or grounded.
6. **Do not expose power tools to rain or wet conditions.** Water entering a power tool will increase the risk of electric shock.
7. **Do not abuse the cord. Never use the cord for carrying, pulling or unplugging the power tool. Keep cord away from heat, oil, sharp edges or moving parts.** Damaged or entangled cords increase the risk of electric shock.
8. **When operating a power tool outdoors, use an extension cord suitable for outdoor use.** Use of a cord suitable for outdoor use reduces the risk of electric shock.
9. **If operating a power tool in a damp location is unavoidable, use a ground fault circuit interrupter (GFCI) protected supply.** Use of an GFCI reduces the risk of electric shock.

GEA006-2

General Power Tool Safety Warnings

⚠ WARNING! Read all safety warnings and all instructions. Failure to follow the warnings and instructions may result in electric shock, fire and/or serious injury.

Save all warnings and instructions for future reference.

The term "power tool" in the warnings refers to your mains-operated (corded) power tool or battery-operated (cordless) power tool.

Work area safety

1. **Keep work area clean and well lit.** Cluttered or dark areas invite accidents.
2. **Do not operate power tools in explosive atmospheres, such as in the presence of**

Personal safety

10. **Stay alert, watch what you are doing and use common sense when operating a power tool. Do not use a power tool while you are tired or under the influence of drugs, alcohol or medication.** A moment of inattention while operating power tools may result in serious personal injury.
11. **Use personal protective equipment. Always wear eye protection.** Protective equipment such as dust mask, non-skid safety shoes, hard hat, or hearing protection used for appropriate conditions will reduce personal injuries.
12. **Prevent unintentional starting. Ensure the switch is in the off-position before connecting to power source and/or battery pack, picking up or carrying the tool.** Carrying power tools with your finger on the switch or energising power tools that have the switch on invites accidents.
13. **Remove any adjusting key or wrench before turning the power tool on.** A wrench or a key left attached to a rotating part of the power tool may result in personal injury.
14. **Do not overreach. Keep proper footing and balance at all times.** This enables better control of the power tool in unexpected situations.
15. **Dress properly. Do not wear loose clothing or jewellery. Keep your hair, clothing, and gloves away from moving parts.** Loose clothes, jewellery or long hair can be caught in moving parts.
16. **If devices are provided for the connection of dust extraction and collection facilities, ensure these are connected and properly used.** Use of dust collection can reduce dust-related hazards.

Power tool use and care

17. **Do not force the power tool. Use the correct power tool for your application.** The correct power tool will do the job better and safer at the rate for which it was designed.
18. **Do not use the power tool if the switch does not turn it on and off.** Any power tool that cannot be controlled with the switch is dangerous and must be repaired.
19. **Disconnect the plug from the power source and/or the battery pack from the power tool before making any adjustments, changing accessories, or storing power tools.** Such preventive safety measures reduce the risk of starting the power tool accidentally.
20. **Store idle power tools out of the reach of children and do not allow persons unfamiliar with the power tool or these instructions to operate the power tool.** Power tools are dangerous in the hands of untrained users.
21. **Maintain power tools. Check for misalignment or binding of moving parts, breakage of parts and any other condition that may affect the power tool's operation. If damaged, have the power tool repaired before use.** Many accidents are caused by poorly maintained power tools.
22. **Keep cutting tools sharp and clean.** Properly maintained cutting tools with sharp cutting edges are less likely to bind and are easier to control.

23. **Use the power tool, accessories and tool bits etc. in accordance with these instructions, taking into account the working conditions and the work to be performed.** Use of the power tool for operations different from those intended could result in a hazardous situation.

Battery tool use and care

24. **Recharge only with the charger specified by the manufacturer.** A charger that is suitable for one type of battery pack may create a risk of fire when used with another battery pack.
25. **Use power tools only with specifically designated battery packs.** Use of any other battery packs may create a risk of injury and fire.
26. **When battery pack is not in use, keep it away from other metal objects, like paper clips, coins, keys, nails, screws or other small metal objects, that can make a connection from one terminal to another.** Shorting the battery terminals together may cause burns or a fire.
27. **Under abusive conditions, liquid may be ejected from the battery; avoid contact. If contact accidentally occurs, flush with water. If liquid contacts eyes, additionally seek medical help.** Liquid ejected from the battery may cause irritation or burns.

Service

28. **Have your power tool serviced by a qualified repair person using only identical replacement parts.** This will ensure that the safety of the power tool is maintained.
29. **Follow instruction for lubricating and changing accessories.**
30. **Keep handles dry, clean and free from oil and grease.**

GEB088-1

CORDLESS DRIVER DRILL SAFETY WARNINGS

1. **Use auxiliary handle(s), if supplied with the tool.** Loss of control can cause personal injury.
2. **Hold power tool by insulated gripping surfaces, when performing an operation where the cutting accessory may contact hidden wiring.** Cutting accessory contacting a "live" wire may make exposed metal parts of the power tool "live" and could give the operator an electric shock.
3. **Hold power tool by insulated gripping surfaces, when performing an operation where the fastener may contact hidden wiring.** Fasteners contacting a "live" wire may make exposed metal parts of the power tool "live" and could give the operator an electric shock.
4. **Always be sure you have a firm footing. Be sure no one is below when using the tool in high locations.**
5. **Hold the tool firmly.**
6. **Keep hands away from rotating parts.**
7. **Do not leave the tool running. Operate the tool only when hand-held.**

8. Do not touch the drill bit or the workpiece immediately after operation; they may be extremely hot and could burn your skin.
9. Some material contains chemicals which may be toxic. Take caution to prevent dust inhalation and skin contact. Follow material supplier safety data.

SAVE THESE INSTRUCTIONS.

⚠ WARNING:

DO NOT let comfort or familiarity with product (gained from repeated use) replace strict adherence to safety rules for the subject product. MISUSE or failure to follow the safety rules stated in this instruction manual may cause serious personal injury.

ENC007-7

IMPORTANT SAFETY INSTRUCTIONS

FOR BATTERY CARTRIDGE

1. Before using battery cartridge, read all instructions and cautionary markings on (1) battery charger, (2) battery, and (3) product using battery.
2. Do not disassemble battery cartridge.
3. If operating time has become excessively shorter, stop operating immediately. It may result in a risk of overheating, possible burns and even an explosion.
4. If electrolyte gets into your eyes, rinse them out with clear water and seek medical attention right away. It may result in loss of your eyesight.
5. Do not short the battery cartridge:
 - (1) Do not touch the terminals with any conductive material.
 - (2) Avoid storing battery cartridge in a container with other metal objects such as nails, coins, etc.
 - (3) Do not expose battery cartridge to water or rain.

A battery short can cause a large current flow, overheating, possible burns and even a breakdown.
6. Do not store the tool and battery cartridge in locations where the temperature may reach or exceed 50°C (122°F).
7. Do not incinerate the battery cartridge even if it is severely damaged or is completely worn out. The battery cartridge can explode in a fire.
8. Be careful not to drop or strike battery.
9. Do not use a damaged battery.

SAVE THESE INSTRUCTIONS.

Tips for maintaining maximum battery life

1. Charge the battery cartridge before completely discharged.
Always stop tool operation and charge the battery cartridge when you notice less tool power.
2. Never recharge a fully charged battery cartridge. Overcharging shortens the battery service life.

3. Charge the battery cartridge with room temperature at 10°C - 40°C (50°F - 104°F). Let a hot battery cartridge cool down before charging it.
4. Charge the battery cartridge once in every six months if you do not use it for a long period of time.

FUNCTIONAL DESCRIPTION

⚠ CAUTION:

- Always be sure that the tool is switched off and the battery cartridge is removed before adjusting or checking function on the tool.

Installing or removing battery cartridge (Fig. 1)

- Always switch off the tool before installing or removing of the battery cartridge.
- To remove the battery cartridge, slide it from the tool while sliding the button on the front of the cartridge.
- To install the battery cartridge, align the tongue on the battery cartridge with the groove in the housing and slip it into place. Always insert it all the way until it locks in place with a little click. If you can see the red indicator on the upper side of the button, it is not locked completely. Install it fully until the red indicator cannot be seen. If not, it may accidentally fall out of the tool, causing injury to you or someone around you.
- Do not use force when installing the battery cartridge. If the cartridge does not slide in easily, it is not being inserted correctly.

Battery protection system (Lithium-ion battery with star marking) (Fig. 2)

For Model BDF453

Lithium-ion batteries with a star marking are equipped with a protection system. This system automatically cuts off power to the tool to extend battery life. The tool will automatically stop during operation if the tool and/or battery are placed under one of the following conditions:

- Overloaded:
 - The tool is operated in a manner that causes it to draw an abnormally high current.
 - In this situation, release the trigger switch on the tool and stop the application that caused the tool to become overloaded. Then pull the trigger switch again to restart.
 - If the tool does not start, the battery is overheated. In this situation, let the battery cool before pulling the trigger switch again.
- Low battery voltage:
 - The remaining battery capacity is too low and the tool will not operate. In this situation, remove and recharge the battery.

Switch action (Fig. 3)

⚠ CAUTION:

- Before inserting the battery cartridge into the tool, always check to see that the switch trigger actuates properly and returns to the "OFF" position when released.

To start the tool, simply pull the switch trigger. Tool speed is increased by increasing pressure on the switch trigger. Release the switch trigger to stop.

Reversing switch action (Fig. 4)

This tool has a reversing switch to change the direction of rotation. Depress the reversing switch lever from the A side for clockwise rotation or from the B side for counterclockwise rotation.

When the reversing switch lever is in the neutral position, the switch trigger cannot be pulled.

⚠ CAUTION:

- Always check the direction of rotation before operation.
- Use the reversing switch only after the tool comes to a complete stop. Changing the direction of rotation before the tool stops may damage the tool.
- When not operating the tool, always set the reversing switch lever to the neutral position.

Speed change (Fig. 5)

To change the speed, first switch off the tool and then slide the speed change lever to the "2" side for high speed or "1" side for low speed. Be sure that the speed change lever is set to the correct position before operation. Use the right speed for your job.

⚠ CAUTION:

- Always set the speed change lever fully to the correct position. If you operate the tool with the speed change lever positioned halfway between the "1" side and "2" side, the tool may be damaged.
- Do not use the speed change lever while the tool is running. The tool may be damaged.

Adjusting the fastening torque (Fig. 6)

The fastening torque can be adjusted in 17 steps by turning the adjusting ring so that its graduations are aligned with the pointer on the tool body. The fastening torque is minimum when the number 1 is aligned with the pointer, and maximum when the $\frac{3}{4}$ marking is aligned with the pointer.

The clutch will slip at various torque levels when set at the number 1 to 16. The clutch is designed not to slip at the $\frac{3}{4}$ marking.

Before actual operation, drive a trial screw into your material or a piece of duplicate material to determine which torque level is required for a particular application.

ASSEMBLY

⚠ CAUTION:

- Always be sure that the tool is switched off and the battery cartridge is removed before carrying out any work on the tool.

Installing or removing driver bit or drill bit (Fig. 7)

Turn the sleeve counterclockwise to open the chuck jaws. Place the bit in the chuck as far as it will go. Turn the sleeve clockwise to tighten the chuck.

To remove the bit, turn the sleeve counterclockwise.

OPERATION

⚠ CAUTION:

- Always insert the battery cartridge all the way until it locks in place. If you can see the red part on the upper side of the button, it is not locked completely. Insert it fully until the red part cannot be seen. If not, it may accidentally fall out of the tool, causing injury to you or someone around you.

Screwdriving operation (Fig. 8)

⚠ CAUTION:

- Adjust the adjusting ring to the proper torque level for your work.

Place the point of the driver bit in the screw head and apply pressure to the tool. Start the tool slowly and then increase the speed gradually. Release the switch trigger as soon as the clutch cuts in.

⚠ CAUTION:

- Make sure that the driver bit is inserted straight in the screw head, or the screw and/or bit may be damaged.

NOTE:

- When driving wood screws, predrill pilot holes to make driving easier and to prevent splitting of the workpiece. See the chart.

Nominal diameter of wood screw (mm)	Recommended size of pilot hole (mm)
3.1	2.0 - 2.2
3.5	2.2 - 2.5
3.8	2.5 - 2.8
4.5	2.9 - 3.2
4.8	3.1 - 3.4
5.1	3.3 - 3.6
5.5	3.7 - 3.9
5.8	4.0 - 4.2
6.1	4.2 - 4.4

006421

Drilling operation

First, turn the adjusting ring so that the pointer points to the $\frac{3}{4}$ marking. Then proceed as follows.

Drilling in wood

When drilling in wood, the best results are obtained with wood drills equipped with a guide screw. The guide screw makes drilling easier by pulling the bit into the workpiece.

Drilling in metal

To prevent the bit from slipping when starting a hole, make an indentation with a center-punch and hammer at the point to be drilled. Place the point of the bit in the indentation and start drilling.

Use a cutting lubricant when drilling metals. The exceptions are iron and brass which should be drilled dry.

⚠ CAUTION:

- Pressing excessively on the tool will not speed up the drilling. In fact, this excessive pressure will only serve to damage the tip of your bit, decrease the tool performance and shorten the service life of the tool.

- There is a tremendous force exerted on the tool/bit at the time of hole break through. Hold the tool firmly and exert care when the bit begins to break through the workpiece.
- A stuck bit can be removed simply by setting the reversing switch to reverse rotation in order to back out. However, the tool may back out abruptly if you do not hold it firmly.
- Always secure small workpieces in a vise or similar hold-down device.
- If the tool is operated continuously until the battery cartridge has discharged, allow the tool to rest for 15 minutes before proceeding with a fresh battery.

MAINTENANCE

CAUTION:

- Always be sure that the tool is switched off and the battery cartridge is removed before attempting to perform inspection or maintenance.
- Never use gasoline, benzine, thinner, alcohol or the like. Discoloration, deformation or cracks may result.

To maintain product SAFETY and RELIABILITY, repairs, any other maintenance or adjustment should be performed by Makita Authorized Service Centers, always using Makita replacement parts.

OPTIONAL ACCESSORIES

CAUTION:

- These accessories or attachments are recommended for use with your Makita tool specified in this manual. The use of any other accessories or attachments might present a risk of injury to persons. Only use accessory or attachment for its stated purpose.

If you need any assistance for more details regarding these accessories, ask your local Makita Service Center.

- Drill bits
- Screw bits
- Various type of Makita genuine batteries and chargers
- Automatic refreshing adapter
- Plastic carrying case

NOTE:

- Some items in the list may be included in the tool package as standard accessories. They may differ from country to country.

Penjelasan tampilan keseluruhan

- | | | |
|-----------------------------|------------------------------|----------------|
| 1. Indikator berwarna merah | 5. Saklar pemicu | 9. Skala |
| 2. Tombol | 6. Tuas saklar pembalik arah | 10. Penunjuk |
| 3. Baterai | 7. Tuas pengubah kecepatan | 11. Selongsong |
| 4. Tanda bintang | 8. Cincin penyétel | |

SPESIFIKASI

Model		BDF343	BDF453
Kapasitas	Baja	10 mm	13 mm
	Kayu	25 mm	36 mm
	Sekrup kayu	5,1 mm x 63 mm	6 mm x 75 mm
	Sekrup mesin	6 mm	
Kecepatan tanpa beban (min ⁻¹)	Tinggi (2)	0 - 1.300	
	Rendah (1)	0 - 400	
Panjang keseluruhan		192 mm	214 mm
Berat bersih		1,4 kg	1,6 kg
Tegangan terukur		D.C. 14,4 V	D.C. 18 V

- Karena kesinambungan program penelitian dan pengembangan kami, spesifikasi yang disebutkan di sini dapat berubah tanpa pemberitahuan.
- Spesifikasi dan baterai dapat berbeda dari satu negara ke negara lainnya.
- Berat, dengan baterai, menurut Prosedur EPTA 01/2003

Simbol

Berikut ini adalah simbol-simbol yang digunakan pada peralatan ini. Pastikan Anda mengerti makna masing-masing simbol sebelum menggunakan alat.



..... Baca petunjuk penggunaan.

END004-4

Penggunaan

Mesin ini digunakan untuk mengebor dan memasang sekrup pada kayu, logam dan plastik.

ENE034-1

GEA006-2

Peringatan Keselamatan Umum Mesin Listrik

⚠ PERINGATAN! Bacalah semua peringatan keselamatan dan semua petunjuk. Kelalaian mematuhi peringatan dan petunjuk dapat menyebabkan sengatan listrik, kebakaran dan/atau cedera serius.

Simpanlah semua peringatan dan petunjuk untuk acuan di masa depan.

Istilah “mesin listrik” dalam semua peringatan mengacu pada mesin listrik yang dijalankan dengan sumber listrik jala-jala (berkabel) atau baterai (tanpa kabel).

Keselamatan tempat kerja

1. **Jaga tempat kerja selalu bersih dan berpenerangan cukup.** Tempat kerja yang berantakan dan gelap mengundang kecelakaan.

2. **Jangan gunakan mesin listrik dalam lingkungan yang mudah meledak, misalnya jika ada cairan, gas, atau debu yang mudah menyala.** Mesin listrik menimbulkan bunga api yang dapat menyalakan debu atau uap tersebut.
3. **Jauhkan anak-anak dan orang lain saat menggunakan mesin listrik.** Bila perhatian terpecah, anda dapat kehilangan kendali.

Keamanan kelistrikan

4. **Steker mesin listrik harus cocok dengan stopkontak. Jangan sekali-kali mengubah steker dengan cara apa pun. Jangan menggunakan steker adaptor dengan mesin listrik berarde (dibumikan).** Steker yang tidak diubah dan stopkontak yang cocok akan mengurangi risiko sengatan listrik.
5. **Hindari sentuhan tubuh dengan permukaan berarde atau yang dibumikan seperti pipa, radiator, kompor, dan kulkas.** Risiko sengatan listrik bertambah jika tubuh Anda terbumikan atau terarde.
6. **Jangan membiarkan mesin listrik kehujanan atau kebasahan.** Air yang masuk ke dalam mesin listrik akan meningkatkan risiko sengatan listrik.
7. **Jangan menyalahgunakan kabel. Jangan sekali-kali menggunakan kabel untuk membawa, menarik, atau mencabut mesin listrik dari stopkontak. Jauhkan kabel dari panas, minyak, tepian tajam, atau bagian yang bergerak.** Kabel yang rusak atau kusut memperbesar risiko sengatan listrik.
8. **Bila menggunakan mesin listrik di luar ruangan, gunakan kabel ekstensi yang sesuai untuk penggunaan di luar ruangan.** Penggunaan kabel

yang sesuai untuk penggunaan luar ruangan mengurangi risiko sengatan listrik.

9. **Jika mengoperasikan mesin listrik di lokasi lembap tidak dihindarkan, gunakan pasokan daya yang dilindungi pemutus rangkaian salah arde (ground fault circuit interrupter - GFCI).** Penggunaan GFCI mengurangi risiko sengatan listrik.

Keselamatan diri

10. **Jaga kewaspadaan, perhatikan pekerjaan Anda dan gunakan akal sehat bila menggunakan mesin listrik. Jangan menggunakan mesin listrik saat Anda lelah atau di bawah pengaruh obat bius, alkohol, atau obat.** Sekejap saja lalai saat menggunakan mesin listrik dapat menyebabkan cedera diri yang serius.
11. **Gunakan alat pelindung diri. Selalu gunakan pelindung mata.** Peralatan pelindung seperti masker debu, sepatu pengaman anti-selip, helm pengaman, atau pelindung telinga yang digunakan untuk kondisi yang sesuai akan mengurangi risiko cedera diri.
12. **Cegah penyalan yang tidak disengaja. Pastikan bahwa sakelar berada dalam posisi mati (off) sebelum menghubungkan mesin ke sumber daya dan/atau baterai, mengangkat atau membawanya.** Membawa mesin listrik dengan jari Anda pada sakelarnya atau mengalirkan listrik pada mesin listrik yang sakelarnya hidup (on) akan mengundang kecelakaan.
13. **Lepaskan kunci-kunci penyetel sebelum menghidupkan mesin listrik.** Kunci-kunci yang masih terpasang pada bagian mesin listrik yang berputar dapat menyebabkan cedera.
14. **Jangan meraih terlalu jauh. Jagalah pijakan dan keseimbangan sepanjang waktu.** Hal ini memungkinkan kendali yang lebih baik atas mesin listrik dalam situasi yang tidak diharapkan.
15. **Kenakan pakaian dengan baik. Jangan memakai pakaian yang kedodoran atau perhiasan. Jaga jarak antara rambut, pakaian, dan sarung tangan Anda dengan bagian mesin yang bergerak.** Pakaian kedodoran, perhiasan, atau rambut panjang dapat tersangkut pada bagian yang bergerak.
16. **Jika tersedia fasilitas untuk menghisap dan mengumpulkan debu, pastikan fasilitas tersebut terhubung listrik dan digunakan dengan baik.** Penggunaan pembersih debu dapat mengurangi bahaya yang terkait dengan debu.

Penggunaan dan pemeliharaan mesin listrik

17. **Jangan memaksa mesin listrik. Gunakan mesin listrik yang tepat untuk keperluan Anda.** Mesin listrik yang tepat akan menuntaskan pekerjaan dengan lebih baik dan aman pada kecepatan sesuai rancangannya.
18. **Jangan gunakan mesin listrik jika sakelar tidak dapat menyala dan mematikannya.** Mesin listrik yang tidak dapat dikendalikan dengan sakelarnya adalah berbahaya dan harus diperbaiki.
19. **Cabut steker dari sumber listrik dan/atau baterai dari mesin listrik sebelum melakukan penyetelan, penggantian aksesoris, atau menyimpan mesin listrik.** Langkah keselamatan preventif tersebut mengurangi risiko hidupnya mesin secara tak sengaja.

20. **Simpan mesin listrik jauh dari jangkauan anak-anak dan jangan biarkan orang yang tidak paham mengenai mesin listrik tersebut atau petunjuk ini menggunakan mesin listrik.** Mesin listrik sangat berbahaya di tangan pengguna yang tak terlatih.
21. **Rawatlah mesin listrik. Periksa apakah ada bagian bergerak yang tidak lurus atau macet, bagian yang pecah dan kondisi lain yang dapat mempengaruhi penggunaan mesin listrik. Jika rusak, perbaiki dahulu mesin listrik sebelum digunakan.** Banyak kecelakaan disebabkan oleh kurangnya pemeliharaan mesin listrik.
22. **Jaga agar mesin pemotong tetap tajam dan bersih.** Mesin pemotong yang terawat baik dengan mata pemotong yang tajam tidak mudah macet dan lebih mudah dikendalikan.
23. **Gunakan mesin listrik, aksesoris, dan mata mesin, dll. sesuai dengan petunjuk ini, dengan memperhitungkan kondisi kerja dan jenis pekerjaan yang dilakukan.** Penggunaan mesin listrik untuk penggunaan yang lain dari peruntukan dapat menimbulkan situasi berbahaya.

Penggunaan dan pemeliharaan mesin bertenaga baterai

24. **Isi ulang baterai hanya dengan pengisi daya yang ditentukan oleh pabrikan.** Pengisi daya yang cocok untuk satu jenis baterai dapat menimbulkan risiko kebakaran ketika digunakan untuk paket baterai yang lain.
25. **Gunakan mesin listrik hanya dengan baterai yang telah ditentukan secara khusus.** Penggunaan baterai lain dapat menimbulkan risiko cedera dan kebakaran.
26. **Ketika baterai tidak digunakan, jauhkan dari benda logam lain, seperti penjepit kertas, uang logam, kunci, paku, sekrup atau benda logam kecil lainnya, yang dapat menghubungkan satu terminal ke terminal lain.** Hubungan singkat terminal baterai dapat menyebabkan luka bakar atau kebakaran.
27. **Pemakaian yang salah, dapat menyebabkan keluarnya cairan dari baterai; hindari kontak. Jika terjadi kontak secara tidak sengaja, bilas dengan air. Jika cairan mengenai mata, cari bantuan medis.** Cairan yang keluar dari baterai bisa menyebabkan iritasi atau luka bakar.

Servis

28. **Berikan mesin listrik untuk diperbaiki hanya kepada ahli teknisi yang berkualifikasi dengan menggunakan hanya suku cadang pengganti yang serupa.** Hal ini akan menjamin terjaganya keamanan mesin listrik.
29. **Patuhi petunjuk pelumasan dan penggantian aksesoris.**
30. **Jagalah agar gagang kering, bersih, dan bebas dari minyak dan gemuk.**

PERINGATAN KESELAMATAN BOR OBENG TANPA KABEL

- Gunakan gagang tambahan, jika disertakan bersama mesin ini. Kehilangan kendali dapat menyebabkan cedera.
- Pegang mesin listrik pada permukaan genggam yang terisolasi saat melakukan pekerjaan bila aksesoris pemotong mungkin bersentuhan dengan kawat tersembunyi. Pengencang yang menyentuh kawat "hidup" dapat menyebabkan bagian logam pada mesin teraliri arus listrik dan menyengat pengguna.
- Pegang mesin listrik pada permukaan genggam yang terisolasi saat melakukan pekerjaan bila pengencang mungkin bersentuhan dengan kawat tersembunyi. Pengencang yang menyentuh kawat "hidup" dapat menyebabkan bagian logam pada mesin teraliri arus listrik dan menyengat pengguna.
- Selalu pastikan Anda berada di atas alas yang kuat.
Pastikan tidak ada orang di bawahnya bila Anda menggunakan mesin di tempat yang tinggi.
- Pegang mesin kuat-kuat.
- Jauhkan tangan dari bagian yang berputar.
- Jangan tinggalkan mesin dalam keadaan hidup. Jalankan mesin hanya ketika digenggam tangan.
- Jangan menyentuh mata bor atau benda kerja segera setelah pengoperasian; suhunya mungkin masih sangat panas dan dapat membakar kulit Anda.
- Bahan tertentu mengandung zat kimia yang mungkin beracun. Hindari menghirup debu dan persentuhan dengan kulit. Ikuti data keselamatan bahan dari pemasok.

SIMPAN PETUNJUK INI.

⚠ PERINGATAN:
JANGAN biarkan kenyamanan atau terbiasanya Anda dengan produk (karena penggunaan berulang) menggantikan kepatuhan yang ketat terhadap aturan keselamatan untuk produk yang terkait.
PENYALAHGUNAAN atau kelalaian mematuhi kaidah keselamatan yang tertera dalam petunjuk ini dapat menyebabkan cedera badan serius.

ENC007-7

PETUNJUK KESELAMATAN PENTING

UNTUK BATERAI

- Sebelum menggunakan baterai, bacalah semua petunjuk dan pernyataan pada (1) pengisi daya baterai, (2) baterai, dan (3) produk yang menggunakan baterai.
- Jangan membongkar baterai.
- Jika waktu beroperasinya menjadi sangat singkat, segera hentikan penggunaan. Hal tersebut dapat menimbulkan risiko panas berlebih, kemungkinan mengalami luka bakar atau bahkan terjadi ledakan.

- Jika elektrolit mengenai mata Anda, basuh dengan air bersih dan segera cari pertolongan medis. Hal tersebut dapat mengakibatkan hilangnya kemampuan penglihatan Anda.
- Jangan menghubungkan terminal baterai:
 - Jangan menyentuhkan terminal dengan bahan penghantar listrik apapun.
 - Hindari menyimpan baterai pada wadah yang berisi benda logam lain seperti paku, uang logam, dsb.
 - Jangan membiarkan baterai terkena air atau kehujanan.
Hubungan singkat baterai dapat menyebabkan aliran arus listrik yang besar, panas berlebih, kemungkinan mengalami luka bakar dan bahkan kerusakan pada baterai.
- Jangan menyimpan mesin dan baterai pada lokasi dengan suhu yang bisa mencapai atau melebihi 50°C.
- Jangan membuang baterai di tempat pembakaran sampah walaupun benar-benar rusak atau tidak bisa digunakan sama sekali. Baterai bisa meledak jika terbakar.
- Hati-hati jangan sampai baterai jatuh atau terbentur.
- Jangan menggunakan baterai yang rusak.

SIMPAN PETUNJUK INI.

Tip untuk menjaga agar umur pemakaian baterai maksimum

- Ganti baterai sebelum habis sama sekali. Selalu hentikan penggunaan mesin dan ganti baterai jika Anda melihat bahwa mesin kurang tenaga.
- Jangan pernah mengisi ulang baterai yang sudah diisi penuh.
Pengisian ulang yang berlebih memperpendek umur pemakaian baterai.
- Isi ulang baterai pada suhu ruangan 10°C - 40°C. Biarkan baterai yang panas menjadi dingin terlebih dahulu sebelum diisi ulang.
- Isi ulang baterai sekali dalam enam bulan jika Anda tidak menggunakannya dalam jangka waktu yang lama.

DESKRIPSI FUNGSI

⚠ PERHATIAN:

- Selalu pastikan bahwa mesin dimatikan dan baterai dilepas sebelum menyetel atau memeriksa kerja mesin.

Memasang atau melepas baterai (Gb. 1)

- Selalu matikan mesin sebelum memasang atau melepas baterai.
- Untuk melepas baterai, geser dari mesin sambil menggeser tombol pada bagian depan baterai.
- Untuk memasang baterai, sejajarkan lidah baterai dengan alur pada rumah dan masukkan ke dalam tempatnya. Selalu masukkan seluruhnya sampai terkunci pada tempatnya dan terdengar bunyi klik kecil. Jika Anda bisa melihat indikator berwarna merah pada

sisi atas tombol, berarti tidak terkunci sepenuhnya. Pasang sepenuhnya sampai indikator berwarna merah tidak terlihat. Jika tidak, bisa terlepas dari mesin secara tidak sengaja, menyebabkan luka pada Anda atau orang di sekitar Anda.

- Jangan dipaksakan ketika memasang baterai. Jika baterai tidak bergeser dengan mudah, berarti tidak dimasukkan dengan benar.

Sistem perlindungan baterai (Baterai Litium-ion dengan tanda bintang) (Gb. 2)

Untuk model BDF453

Baterai Litium-ion dengan tanda bintang yang dilengkapi dengan sistem perlindungan. Sistem ini memutus daya ke mesin secara otomatis untuk memperpanjang umur pemakaian baterai.

Mesin akan berhenti saat penggunaan saat mesin dan/atau baterai berada dalam salah satu kondisi berikut ini:

- Kelebihan beban:
 - Mesin dijalankan dengan cara yang menyebabkannya menarik arus tinggi yang tidak normal.
 - Untuk situasi ini, lepas picu saklar pada mesin dan hentikan penggunaan yang menyebabkan mesin mengalami kelebihan beban. Kemudian tarik lagi picu saklarnya untuk mengoperasikannya kembali.
 - Jika mesin tidak menyala, baterai mengalami kelebihan panas. Untuk situasi ini, biarkan baterai menjadi dingin sebelum menarik picu saklarnya lagi.
- Tegangan baterai rendah:
 - Kapasitas baterai yang tersisa terlalu rendah dan mesin tidak akan beroperasi. Untuk situasi ini, lepas dan isi ulang baterai.

KERJA saklar (Gb. 3)

⚠ PERHATIAN:

- Sebelum memasukkan baterai pada mesin, pastikan picu saklar berfungsi dengan baik dan kembali ke posisi "OFF" saat dilepas.

Untuk menjalankan mesin, cukup tarik picu saklarnya. Kecepatan mesin akan meningkat dengan menambah tekanan pada picu saklar. Lepaskan picu saklar untuk berhenti.

KERJA saklar pembalik arah (Gb. 4)

Mesin ini memiliki saklar pembalik arah untuk mengubah arah putaran. Tekan tuas saklar pembalik arah dari sisi A untuk putaran searah jarum jam atau dari sisi B untuk putaran berlawanan arah jarum jam.

Ketika tuas saklar pembalik arah pada posisi netral, picu saklar tidak bisa ditarik.

⚠ PERHATIAN:

- Selalu periksa arah putaran sebelum penggunaan.
- Gunakan saklar pembalik arah hanya setelah mesin benar-benar berhenti. Mengubah arah putaran sebelum mesin berhenti dapat merusak mesin.
- Saat mesin tidak digunakan, selalu posisikan tuas saklar pembalik arah pada posisi netral.

Perubahan kecepatan (Gb. 5)

Untuk mengubah kecepatan, pertama-tama matikan mesin dan kemudian geser tuas pengubah kecepatan ke sisi "2" untuk kecepatan tinggi atau "1" untuk kecepatan

rendah. Pastikan bahwa tuas pengubah kecepatan diposisikan pada posisi yang tepat sebelum penggunaan. Gunakan kecepatan yang tepat untuk pekerjaan Anda.

⚠ PERHATIAN:

- Selalu posisikan tuas pengubah kecepatan sepenuhnya pada posisi yang tepat. Jika Anda menggunakan mesin dengan tuas pengubah kecepatan berada di posisi tengah antara sisi "1" dan sisi "2", mesin bisa rusak.
- Jangan menggunakan tuas pengubah kecepatan ketika mesin sedang bekerja. Mesin bisa rusak.

Menyetel torsi pengencangan (Gb. 6)

Torsi pengencangan bisa disetel dalam 17 tahap dengan memutar cincin penyetel sehingga skalanya disejajarkan dengan penunjuk pada badan mesin. Torsi pengencangannya minimum ketika angka 1 disejajarkan dengan penunjuk, dan maksimum ketika tanda ∞ disejajarkan dengan penunjuk.

Kopeling akan bergeser pada tingkat torsi yang berbeda-beda ketika disetel pada angka 1 sampai 16. Kopeling dirancang untuk tidak bergeser pada tanda ∞. Sebelum penggunaan yang sebenarnya, pasang sekrup percobaan pada bahan atau potongan bahan lain untuk menentukan tingkat torsi yang dibutuhkan untuk keperluan tertentu.

PERAKITAN

⚠ PERHATIAN:

- Selalu pastikan bahwa mesin dimatikan dan baterai dilepas sebelum melakukan pekerjaan apapun pada mesin.

Memasang atau melepas mata obeng atau mata bor (Gb. 7)

Putar selongsong berlawanan arah jarum jam untuk membuka rahang cekam. Masukkan mata bor ke dalam cekam sejauh mungkin. Putar selongsong searah jarum jam untuk mengencangkan cekam. Untuk melepas mata mesin, putar selongsong berlawanan arah jarum jam.

PENGGUNAAN

⚠ PERHATIAN:

- Selalu masukkan baterai seluruhnya sampai terkunci pada tempatnya dan terdengar bunyi klik kecil. Jika Anda bisa melihat bagian berwarna merah pada sisi atas tombol, berarti tidak terkunci sepenuhnya. Masukkan sepenuhnya sampai bagian berwarna merah tidak terlihat. Jika tidak, bisa terlepas dari mesin secara tidak sengaja, menyebabkan luka pada Anda atau orang di sekitar Anda.

Pekerjaan pemasangan sekrup (Gb. 8)

⚠ PERHATIAN:

- Setel cincin penyetel pada tingkat torsi yang tepat untuk pekerjaan Anda.

Posisikan ujung mata obeng pada kepala sekrup dan beri tekanan pada mesin. Jalankan mesin dengan perlahan dan kemudian tingkatkan kecepatan secara bertahap. Lepas picu saklar segera setelah kopeling memotong.

⚠ PERHATIAN:

- Pastikan bahwa mata obeng dimasukkan lurus terhadap kepala sekrup, atau sekrup dan/atau mata bor bisa rusak.


CATATAN:

- Ketika memasang sekrup kayu, lakukan pengeboran awal untuk membuat lubang pengarah agar mempermudah pemasangan sekrup dan untuk mencegah pecahnya benda kerja. Lihat tabel.

Diameter nominal sekrup kayu (mm)	Ukuran lubang pengarah yang dianjurkan (mm)
3,1	2,0 - 2,2
3,5	2,2 - 2,5
3,8	2,5 - 2,8
4,5	2,9 - 3,2
4,8	3,1 - 3,4
5,1	3,3 - 3,6
5,5	3,7 - 3,9
5,8	4,0 - 4,2
6,1	4,2 - 4,4

006421

Pekerjaan pengeboran

Pertama-tama, putar cincin penyetel sehingga penunjuk mengarah pada tanda . Kemudian lakukan sebagaimana berikut.

Mengebor kayu

Bila mengebor kayu, hasil terbaik didapat dengan mata bor kayu yang dilengkapi sekrup pemandu. Sekrup pemandu mempermudah pengeboran dengan menarik mata bor ke dalam benda kerja.

Mengebor logam

Untuk mencegah mata bor selip ketika mulai membuat lubang, buatlah takik dengan penitik lalu palu pada titik yang akan dilubangi. Letakkan ujung mata bor pada takik dan mulailah membor.

Gunakan cairan pendingin saat mengebor logam.

Pengecualian untuk besi dan kuningan yang harus dibor kering.

⚠ PERHATIAN:

- Menekan mesin secara berlebihan tidak akan mempercepat pengeboran. Bahkan, tekanan yang berlebihan hanya akan merusak mata bor Anda, mengurangi kinerja mesin dan memperpendek usia mesin.
- Akan timbul gaya yang sangat kuat pada mesin/mata bor saat menembus lubang. Pegang mesin dengan kuat dan berhati-hatilah saat mata bor menembus benda kerja.
- Mata bor yang macet dapat dicabut dengan menyetel saklar pembalik arah agar mesin berputar berlawanan arah untuk mundur. Tetapi, mesin bisa saja mundur mendadak jika Anda tidak memegangnya dengan kuat.
- Tahan benda kerja berukuran kecil dengan penjepit atau alat penahan lain.
- Jika mesin terus-menerus digunakan sampai baterai habis, istirahatkan mesin selama 15 menit sebelum melakukannya lagi dengan baterai yang penuh.

PERAWATAN

⚠ PERHATIAN:

- Selalu pastikan bahwa mesin dimatikan dan baterai dilepas sebelum melakukan pemeriksaan atau perawatan.
- Jangan sekali-kali menggunakan bensin, tiner, alkohol, atau bahan sejenisnya. Penggunaan bahan demikian dapat menyebabkan perubahan warna, perubahan bentuk atau timbulnya retakan.

Untuk menjaga KEAMANAN dan KEANDALAN mesin, perbaikan, perawatan atau penyetelan lain harus dilakukan oleh Pusat Layanan Resmi Makita dan selalu gunakan suku cadang pengganti buatan Makita.

PILIHAN AKSESORI

⚠ PERHATIAN:

- Dianjurkan untuk menggunakan aksesoris atau perangkat tambahan ini dengan mesin Makita Anda yang ditentukan dalam petunjuk ini. Penggunaan aksesoris atau perangkat tambahan lain bisa menyebabkan risiko cedera pada manusia. Hanya gunakan aksesoris atau perangkat tambahan sesuai dengan peruntukannya.

Jika Anda memerlukan bantuan lebih rinci berkenaan dengan aksesoris ini, tanyakan pada Pusat Layanan Makita terdekat.

- Mata bor
- Mata sekrup
- Macam-macam jenis baterai dan pengisi daya asli buatan Makita.
- Adapter pengisi otomatis
- Tas jinjing plastik

CATATAN:

- Beberapa item dalam daftar tersebut mungkin sudah termasuk dalam paket mesin sebagai aksesoris standar. Hal tersebut dapat berbeda dari satu negara ke negara lainnya.

TIẾNG VIỆT

Giải thích về hình vẽ tổng thể

1. Chỉ báo màu đỏ
2. Nút
3. Hộp pin
4. Dấu sao
5. Cần khởi động công tắc
6. Cần công tắc đảo chiều
7. Cần thay đổi tốc độ
8. Vòng điều chỉnh
9. Vòng chia độ
10. Vạch chuẩn
11. Trụ ngoài

THÔNG SỐ KỸ THUẬT

Kiểu		BDF343	BDF453
Công suất	Thép	10 mm	13 mm
	Gỗ	25 mm	36 mm
	Vít bắt gỗ	5,1 mm x 63 mm	6 mm x 75 mm
	Vít máy	6 mm	
Tốc độ không tải (phút ⁻¹)	Cao (2)	0 - 1.300	
	Thấp (1)	0 - 400	
Chiều dài tổng thể		192 mm	214 mm
Trọng lượng tịnh		1,4 kg	1,6 kg
Hiệu điện thế định mức		D.C. 14,4 V	D.C. 18 V

- Do chương trình nghiên cứu và phát triển liên tục của chúng tôi nên các thông số kỹ thuật trong đây có thể thay đổi mà không cần thông báo trước.
- Các thông số kỹ thuật và hộp pin có thể thay đổi tùy theo từng quốc gia.
- Trọng lượng có hộp pin tùy theo Quy trình EPTA tháng 01/2003

Ký hiệu

Phần dưới đây cho biết các ký hiệu được dùng cho thiết bị. Đảm bảo rằng bạn hiểu rõ ý nghĩa của các ký hiệu này trước khi sử dụng.



..... Đọc tài liệu hướng dẫn.

END004-4

2. **Không vận hành dụng cụ máy trong môi trường cháy nổ, ví dụ như môi trường có sự hiện diện của các chất lỏng, khí hoặc bụi dễ cháy.** Các dụng cụ máy tạo tia lửa điện có thể làm bụi hoặc khí bốc cháy.
3. **Giữ trẻ em và người ngoài tránh xa nơi làm việc khi đang vận hành dụng cụ máy.** Sự xao lãng có thể khiến bạn mất khả năng kiểm soát.

Mục đích sử dụng

Dụng cụ này được dùng để khoan và bắt vít vào gỗ, kim loại và nhựa.

ENE034-1

An toàn về điện

4. **Phích cắm của dụng cụ máy phải khớp với ổ cắm. Không bao giờ được sửa đổi phích cắm theo bất kỳ cách nào. Không sử dụng bất kỳ phích chuyên đổi nào với các dụng cụ máy được nối đất (tiếp đất).** Các phích cắm còn nguyên vẹn và ổ cắm phù hợp sẽ giảm nguy cơ điện giật.
5. **Tránh để cơ thể tiếp xúc với các bề mặt nối đất hoặc tiếp đất như đường ống, bộ tản nhiệt, bếp ga và tủ lạnh.** Nguy cơ bị điện giật sẽ tăng lên nếu cơ thể bạn được nối đất hoặc tiếp đất.
6. **Không để dụng cụ máy tiếp xúc với mưa hoặc trong điều kiện ẩm ướt.** Nước lọt vào dụng cụ máy sẽ làm tăng nguy cơ điện giật.
7. **Không lạm dụng dây.** Không bao giờ sử dụng dây để mang, kéo hoặc tháo phích cắm dụng cụ máy. **Giữ dây tránh xa nguồn nhiệt, dầu, các mép sắc hoặc các bộ phận chuyển động.** Dây bị hỏng hoặc bị rối sẽ làm tăng nguy cơ điện giật.
8. **Khi vận hành dụng cụ máy ngoài trời, hãy sử dụng dây kéo dài phù hợp cho việc sử dụng ngoài trời.** Việc dùng dây phù hợp cho việc sử dụng ngoài trời sẽ giảm nguy cơ điện giật.

Cảnh báo An toàn Chung dành cho Dụng cụ Máy

⚠ CẢNH BÁO! Đọc tất cả các cảnh báo an toàn và hướng dẫn. Việc không tuân theo các cảnh báo và hướng dẫn có thể dẫn đến điện giật, hỏa hoạn và/hoặc thương tích nghiêm trọng.

GEA006-2

Lưu giữ tất cả cảnh báo và hướng dẫn để tham khảo sau này.

Thuật ngữ “dụng cụ máy” trong các cảnh báo đề cập đến dụng cụ máy (có dây) được vận hành bằng nguồn điện chính hoặc dụng cụ máy (không dây) được vận hành bằng pin của bạn.

An toàn tại nơi làm việc

1. **Giữ nơi làm việc sạch sẽ và có đủ ánh sáng.** Nơi làm việc bừa bộn hoặc tối thường dễ gây ra tai nạn.

9. **Nếu bắt buộc phải vận hành dụng cụ máy ở nơi ẩm ướt, hãy sử dụng nguồn điện có bộ ngắt mạch nổi đất khi rò điện (GFCI).** Việc sử dụng GFCI sẽ giảm nguy cơ điện giật.

An toàn cá nhân

10. **Luôn tinh táo, quan sát những việc bạn đang làm và sử dụng những phán đoán theo kinh nghiệm khi vận hành dụng cụ máy. Không sử dụng dụng cụ máy khi bạn đang mệt mỏi hoặc chịu ảnh hưởng của ma túy, rượu hay thuốc.** Chỉ một khoảnh khắc không tập trung khi đang vận hành dụng cụ máy cũng có thể dẫn đến thương tích cá nhân nghiêm trọng.
11. **Sử dụng thiết bị bảo hộ cá nhân. Luôn đeo thiết bị bảo vệ mắt.** Các thiết bị bảo hộ như mặt nạ chống bụi, giày an toàn chống trượt, mũ bảo hộ hay thiết bị bảo vệ thính giác được sử dụng trong các điều kiện thích hợp sẽ giúp giảm thương tích cá nhân.
12. **Tránh vô tình khởi động dụng cụ máy. Đảm bảo công tắc ở vị trí off (tắt) trước khi nối nguồn điện và/hoặc bộ pin, cầm hoặc mang dụng cụ máy.** Việc mang dụng cụ máy khi đang đặt ngón tay ở vị trí công tắc hoặc cấp điện cho dụng cụ máy đang bật thường dễ gây ra tai nạn.
13. **Tháo mọi khóa hoặc chia vận điều chỉnh trước khi bật dụng cụ máy.** Việc chia vận hoặc khóa vẫn còn gắn vào bộ phận quay của dụng cụ máy có thể dẫn đến thương tích cá nhân.
14. **Không vội quá cao. Luôn giữ thăng bằng tốt và có chỗ để chân phù hợp.** Điều này cho phép điều khiển dụng cụ máy tốt hơn trong những tình huống bất ngờ.
15. **Án mặc phù hợp. Không mặc quần áo rộng hay đeo đồ trang sức. Giữ tóc, quần áo và găng tay tránh xa các bộ phận chuyển động.** Quần áo rộng, đồ trang sức hay tóc dài có thể mắc vào các bộ phận chuyển động.
16. **Nếu các thiết bị bị được cung cấp để kết nối các thiết bị thu gom và hút bụi, hãy đảm bảo chúng được kết nối và sử dụng hợp lý.** Việc sử dụng thiết bị thu gom bụi có thể làm giảm những mối nguy hiểm liên quan đến bụi.

Sử dụng và bảo quản dụng cụ máy

17. **Không dùng lực đối với dụng cụ máy. Sử dụng đúng dụng cụ máy cho công việc của bạn.** Sử dụng đúng dụng cụ máy sẽ giúp thực hiện công việc tốt hơn và an toàn hơn theo giá trị định mức được thiết kế của dụng cụ máy đó.
18. **Không sử dụng dụng cụ máy nếu công tắc không bật và tắt được dụng cụ máy đó.** Mọi dụng cụ máy không thể điều khiển được bằng công tắc đều rất nguy hiểm và cần được sửa chữa.
19. **Rút phích cắm ra khỏi nguồn điện và/hoặc ngắt kết nối bộ pin khỏi dụng cụ máy trước khi thực hiện bất kỳ công việc điều chỉnh, thay đổi phụ tùng hay cất giữ dụng cụ máy nào.** Những biện pháp an toàn phòng ngừa này sẽ giảm nguy cơ vô tình khởi động dụng cụ máy.
20. **Cất giữ các dụng cụ máy không sử dụng ngoài tầm với của trẻ em và không cho bất kỳ người nào không có hiểu biết về dụng cụ máy hoặc các hướng dẫn này vận hành dụng cụ máy.** Dụng cụ máy sẽ rất nguy hiểm nếu được sử dụng bởi những người dùng chưa qua đào tạo.

21. **Bảo quản dụng cụ máy. Kiểm tra tình trạng lịch trực hoặc bộ kẹp của các bộ phận chuyển động, hiện tượng nứt vỡ của các bộ phận và mọi tình trạng khác mà có thể ảnh hưởng đến hoạt động của dụng cụ máy. Nếu có hỏng hóc, hãy sửa chữa dụng cụ máy trước khi sử dụng.** Nhiều tai nạn xảy ra là do không bảo quản tốt dụng cụ máy.
22. **Luôn giữ cho dụng cụ cắt được sắc bén và sạch sẽ.** Những dụng cụ cắt được bảo quản tốt có mép cắt sắc sẽ ít bị kẹt hơn và dễ điều khiển hơn.
23. **Sử dụng dụng cụ máy, phụ tùng và đầu dụng cụ cắt, v.v... theo các hướng dẫn này, có tính đến điều kiện làm việc và công việc thực hiện.** Việc sử dụng dụng cụ máy cho các công việc khác với công việc dự định có thể gây nguy hiểm.

Sử dụng và bảo quản dụng cụ dùng pin

24. **Chỉ sạc pin lại với bộ sạc do nhà sản xuất quy định.** Bộ sạc phù hợp với một loại bộ pin này có thể gây ra nguy cơ hỏa hoạn khi được dùng cho một bộ pin khác.
25. **Chỉ sử dụng các dụng cụ máy với các bộ pin được quy định cụ thể.** Việc sử dụng bất cứ bộ pin nào khác có thể gây ra thương tích và hỏa hoạn.
26. **Khi không sử dụng bộ pin, hãy giữ tránh xa các đồ vật khác bằng kim loại, chẳng hạn như kẹp giấy, tiền xu, chìa khóa, đinh, ốc vít hoặc các vật nhỏ bằng kim loại mà có thể làm nối tắt các đầu cực pin.** Các đầu cực pin bị đoản mạch có thể gây cháy hoặc hỏa hoạn.
27. **Trong điều kiện sử dụng quá mức, pin có thể bị chảy nước; hãy tránh tiếp xúc. Nếu vô tình tiếp xúc với pin bị chảy nước, hãy rửa sạch bằng nước. Nếu dung dịch từ pin tiếp xúc với mắt, cần đi khám bác sĩ thêm.** Dung dịch chảy ra từ pin có thể gây rát da hoặc bỏng.

Bảo dưỡng

28. **Đề nhân viên sửa chữa đủ trình độ bảo dưỡng dụng cụ máy của bạn và chỉ sử dụng các bộ phận thay thế đồng nhất.** Việc này sẽ đảm bảo duy trì được độ an toàn của dụng cụ máy.
29. **Tuân theo hướng dẫn dành cho việc bôi trơn và thay phụ tùng.**
30. **Giữ tay cầm khô, sạch, không dính dầu và mỡ.**

GEB088-1

CẢNH BÁO AN TOÀN ĐỐI VỚI MÁY KHOAN BẮT VÍT DÙNG PIN

1. **Sử dụng các tay cầm phụ nếu được cung cấp kèm theo dụng cụ.** Không điều khiển được dụng cụ sẽ gây ra thương tích cho con người.
2. **Cầm dụng cụ máy bằng bề mặt kẹp cách điện khi thực hiện một thao tác trong đó phụ kiện cắt có thể tiếp xúc với dây dẫn kim.** Bộ phận cắt tiếp xúc với dây dẫn "có điện" có thể khiến các bộ phận kim loại bị hở của dụng cụ máy "có điện" và làm cho người vận hành bị điện giật.
3. **Cầm dụng cụ máy bằng bề mặt kẹp cách điện khi thực hiện một thao tác trong đó bộ phận kẹp có thể tiếp xúc với dây dẫn điện kín bên dưới.** Bộ phận kẹp tiếp xúc với dây dẫn "có điện" có thể khiến các bộ phận kim loại bị hở của dụng cụ máy "có điện" và làm cho người vận hành bị điện giật.

4. Luôn chắc chắn rằng bạn có chỗ tựa chân vững chắc.
Đảm bảo rằng không có ai ở dưới khi dùng dụng cụ ở những vị trí trên cao.
5. Cầm chắc dụng cụ.
6. Giữ tay tránh xa các bộ phận quay.
7. Không để mặc dụng cụ hoạt động. Chỉ vận hành dụng cụ khi cầm trên tay.
8. Không chạm vào đầu mũi khoan hay vật gia công ngay sau khi vận hành; chúng có thể rất nóng và có thể gây bỏng da.
9. Một số vật liệu có chứa các hóa chất có thể rất độc hại. Phải cẩn trọng tránh hít phải bụi và để tiếp xúc với da. Tuân theo các thông tin về an toàn của nhà cung cấp đối với mỗi loại vật liệu.

LƯU GIỮ CÁC HƯỚNG DẪN NÀY.

⚠ CẢNH BÁO:
KHÔNG được để sự thoải mái hay quen thuộc với sản phẩm (có được do sử dụng nhiều lần) thay thế việc tuân thủ nghiêm ngặt các quy định về an toàn dành cho sản phẩm này. VIỆC DÙNG SAI hoặc không tuân theo các quy định về an toàn được nêu trong tài liệu hướng dẫn này có thể dẫn đến thương tích cá nhân nghiêm trọng.

ENC007-7

CÁC HƯỚNG DẪN AN TOÀN QUAN TRỌNG

ĐỐI VỚI HỘP PIN

1. Trước khi sử dụng hộp pin, hãy đọc kỹ tất cả các hướng dẫn và dấu hiệu cảnh báo trên (1) bộ sạc pin, (2) pin và (3) sản phẩm sử dụng pin.
2. Không tháo rời hộp pin.
3. Nếu thời gian vận hành ngắn hơn nhiều, dừng việc vận hành ngay lập tức. Điều này có thể gây nguy cơ quá nhiệt, gây cháy hoặc thậm chí gây nổ.
4. Nếu chất điện phân dính vào mắt bạn, hãy rửa sạch bằng nước sạch và đi khám bác sĩ ngay lập tức. Việc này có thể làm giảm thị lực của mắt bạn.
5. Không được đoàn mạch hộp pin:
 - (1) Không được chạm vào các đầu cực bằng vật liệu dẫn điện.
 - (2) Tránh cất giữ hộp pin trong chỗ chứa có các vật kim loại khác như đinh, tiền xu, v.v...
 - (3) Không được để hộp pin tiếp xúc với nước hoặc mưa.
Pin bị đoản mạch có thể gây ra dòng điện lớn, gây quá nhiệt, cháy và thậm chí gây phóng điện.
6. Không được cất giữ dụng cụ và hộp pin ở những nơi nhiệt độ có thể vượt quá 50°C.
7. Không được tiêu hủy hộp pin ngay cả khi nó đã bị hư hỏng nghiêm trọng hoặc hoàn toàn không sử dụng được. Hộp pin có thể nổ khi bị đốt cháy.
8. Cẩn thận không được làm rơi hoặc va đập mạnh vào pin.
9. Không sử dụng pin đã hư hỏng.

LƯU GIỮ CÁC HƯỚNG DẪN NÀY.

Lời khuyên để duy trì tối đa tuổi thọ pin

1. Sạc hộp pin trước khi pin được xả điện hoàn toàn. Luôn dừng việc vận hành dụng cụ và sạc pin khi bạn nhận thấy công suất dụng cụ bị giảm.
2. Không bao giờ sạc lại một hộp pin đã được sạc đầy.
Việc sạc điện thêm nữa sẽ làm giảm tuổi thọ pin.
3. Sạc pin ở nhiệt độ phòng từ 10°C - 40°C. Để pin đang nóng nguội lại dần trước khi sạc pin.
4. Sạc hộp pin một lần mỗi sáu tháng nếu bạn không sử dụng nó trong một thời gian dài.

MÔ TẢ CHỨC NĂNG

⚠ CẢNH BÁO:

- Luôn đảm bảo rằng đã tắt dụng cụ và tháo hộp pin ra trước khi thực hiện việc điều chỉnh hoặc kiểm tra chức năng trên dụng cụ.

Lắp hoặc tháo gỡ hộp pin (Hình 1)

- Luôn tắt dụng cụ trước khi lắp hoặc tháo hộp pin.
- Để tháo hộp pin, hãy trượt nó ra từ dụng cụ trong lúc trượt nút ở phía trước hộp pin.
- Để lắp hộp pin vào, hãy canh chỉnh phần chốt của hộp pin vào phần rãnh nằm trên vỏ và trượt chốt vào vị trí. Luôn trượt hết mức đến khi nào chốt khóa đứng vào vị trí với một tiếng click nhẹ. Nếu bạn vẫn còn nhìn thấy chỉ thị màu đỏ phía trên nút bấm, chốt vẫn chưa được khóa hoàn toàn. Lắp chốt hoàn toàn vào vị trí cho đến khi không thể nhìn thấy chỉ thị màu đỏ. Nếu không, chốt có thể vô tình rơi ra khỏi dụng cụ, gây thương tích cho bạn hoặc người khác xung quanh.
- Không được ấn mạnh khi lắp hộp pin. Nếu hộp pin không nhẹ nhàng trượt vào vị trí, có nghĩa là pin vẫn chưa được lắp đúng.

Hệ thống bảo vệ pin (Hộp pin Lithium-ion có dấu sao) (Hình 2)

ĐỐI VỚI MÔ HÌNH BDF453

Các pin Lithium-ion có dấu sao được trang bị hệ thống bảo vệ. Hệ thống này sẽ tự động ngắt nguồn điện đến dụng cụ để kéo dài tuổi thọ pin.

Dụng cụ sẽ tự động dừng vận hành khi dụng cụ và/hoặc pin ở một trong những tình huống sau đây.

- Bị quá tải:
Dụng cụ được vận hành theo cách gây ra một dòng điện cao bất thường.
Trong trường hợp này, hãy nhả cần khởi động công tắc và ngừng thao tác làm cho dụng cụ bị quá tải. Sau đó kéo cần khởi động công tắc một lần nữa để khởi động lại dụng cụ.
Nếu dụng cụ không khởi động, pin đang bị quá nhiệt. Trong trường hợp này, hãy để pin nguội lại trước khi kéo cần khởi động công tắc một lần nữa.
- Điện thế pin thấp:
Dung lượng pin còn lại quá thấp và dụng cụ sẽ không hoạt động. Trong trường hợp này, hãy tháo pin và sạc lại pin.

Hoạt động công tắc (Hình 3)

⚠ CẢN TRỌNG:

- Trước khi lắp hộp pin vào dụng cụ, luôn luôn kiểm tra xem cần khởi động công tắc có hoạt động bình thường hay không và trả về vị trí "OFF" (TẮT) khi nhả ra. Để khởi động dụng cụ, chỉ cần kéo cần khởi động công tắc. Tốc độ dụng cụ được giảm xuống bằng cách tăng lực ép lên cần khởi động công tắc. Nhả cần khởi động công tắc ra để dừng.

Hoạt động công tắc đảo chiều (Hình 4)

Dụng cụ này có một công tắc đảo chiều để thay đổi chiều xoay. Nhấn nút công tắc đảo chiều từ mặt A để xoay theo chiều kim đồng hồ hoặc từ mặt B để xoay ngược chiều kim đồng hồ.

Khi nút công tắc đảo chiều ở vị trí chính giữa, không thể kéo cần khởi động công tắc được.

⚠ CẢN TRỌNG:

- Luôn luôn kiểm tra hướng xoay trước khi vận hành.
- Chỉ sử dụng công tắc đảo chiều sau khi dụng cụ đã dừng hoàn toàn. Việc thay đổi hướng xoay trước khi dụng cụ dừng có thể làm hỏng dụng cụ.
- Khi vận hành dụng cụ, luôn đặt nút công tắc đảo chiều ở vị trí chính giữa.

Thay đổi tốc độ (Hình 5)

Để thay đổi tốc độ, đầu tiên hãy tắt dụng cụ và trượt cần thay đổi tốc độ sang vị trí "2" để có tốc độ cao hoặc vị trí "1" để có tốc độ thấp. Đảm bảo rằng cần thay đổi tốc độ được đặt ở đúng vị trí trước khi vận hành. Sử dụng đúng tốc độ cho công việc của bạn.

⚠ CẢN TRỌNG:

- Luôn để cần thay đổi tốc độ vào thật đúng vị trí. Nếu bạn vận hành dụng cụ với cần thay đổi tốc độ đặt ở một nửa giữa vị trí "1" và "2", dụng cụ có thể bị hư hỏng.
- Không được sử dụng cần thay đổi tốc độ trong lúc dụng cụ đang chạy. Dụng cụ có thể bị hư hỏng.

Điều chỉnh lực vặn xiết (Hình 6)

Lực vặn xiết có thể được điều chỉnh theo 17 bậc bằng cách xoay vòng điều chỉnh để canh chỉnh các độ chia vào vạch chuẩn trên thân dụng cụ. Lực vặn xiết đạt tối thiểu khi số 1 được căn chỉnh vào vạch chuẩn và đạt tối đa khi dấu hiệu 8 được căn chỉnh vào vạch chuẩn.

Bộ ly hợp sẽ trượt ở các mức lực xoắn khác nhau khi được cài từ số 1 đến số 16. Bộ ly hợp này không được thiết kế để trượt đến dấu hiệu 8.

Trước khi vận hành thực tế, hãy bắt thử một ốc vít vào vật liệu hoặc mẫu vật liệu tương tự để xác định mức lực xoắn nào cần cho ứng dụng cụ thể đó.

LẮP RÁP

⚠ CẢN TRỌNG:

- Luôn đảm bảo rằng đã tắt dụng cụ và tháo hộp pin ra trước khi thực hiện bất cứ thao tác nào trên dụng cụ.

Lắp đặt hoặc tháo mũi vặn hoặc mũi khoan (Hình 7)

Xoay trụ ngoài ngược chiều kim đồng hồ để mở các ngăn kẹp. Đặt đầu mũi vào trong ngăn kẹp hết mức có thể.

Xoay trụ ngoài theo chiều kim đồng hồ để vận chặt ngăn kẹp.

Để tháo đầu mũi, xoay trụ ngoài ngược chiều kim đồng hồ.

VẬN HÀNH

⚠ CẢN TRỌNG:

- Luôn luôn lắp hộp pin vào hết mức cho đến khi nó khóa đúng vào vị trí. Nếu bạn vẫn còn nhìn thấy phần màu đỏ phía trên nút bấm, chốt vẫn chưa được khóa hoàn toàn. Lắp chốt hoàn toàn vào vị trí cho đến khi không thể nhìn thấy phần màu đỏ. Nếu không, chốt có thể vô tình rơi ra khỏi dụng cụ, gây thương tích cho bạn hoặc người khác xung quanh.

Thao tác bắt vít (Hình 8)

⚠ CẢN TRỌNG:

- Chỉnh nút điều chỉnh đến cấp độ lực vặn phù hợp với công việc của bạn.

Đặt đỉnh mũi vặn vào trong đầu vít và nhấn dụng cụ. Khởi động dụng cụ từ từ, sau đó tăng tốc độ dần dần. Nhả cần khởi động công tắc ngay khi bộ ly hợp vừa ngắt.

⚠ CẢN TRỌNG:

- Đảm bảo rằng mũi vặn được lắp thẳng đứng vào đầu vít, nếu không vít và/hoặc mũi vặn có thể bị hư hỏng.

LƯU Ý:

- Khi vặn các vít bắt gỗ, hãy khoan trước các lỗ định hướng để giúp bắt vít dễ dàng hơn và ngăn vật gia công bị chia tách. Xem sơ đồ.

Đường kính danh định của vít bắt gỗ (mm)	Kích thước khuyến cáo của lỗ khoan dẫn (mm)
3,1	2,0 - 2,2
3,5	2,2 - 2,5
3,8	2,5 - 2,8
4,5	2,9 - 3,2
4,8	3,1 - 3,4
5,1	3,3 - 3,6
5,5	3,7 - 3,9
5,8	4,0 - 4,2
6,1	4,2 - 4,4

006421

Thao tác khoan

Đầu tiên, xoay nút điều chỉnh sao cho vạch chuẩn chỉ vào dấu 8. Sau đó tiến hành như sau.

Khoan vào gỗ

Khi khoan vào gỗ, để có kết quả tốt nhất cần sử dụng các mũi khoan dùng để khoan gỗ và vít dẫn. Vít dẫn giúp khoan dễ dàng hơn bằng cách kéo đầu mũi vào trong vật gia công.

Khoan vào kim loại

Để phòng ngừa đầu mũi bị trượt ra lúc bắt đầu khoan lỗ, hãy tạo một vết lõm bằng cách dùng dùi đục tâm và đóng vào điểm cần khoan. Đặt đầu mũi khoan vào chỗ lõm này và bắt đầu khoan.

Sử dụng dầu nhờn để cắt khi khoan kim loại. Trừ các trường hợp dùng sắt và đồng thau cần phải được khoan khô.

⚠ CẢN TRỌNG:

- Nhấn dụng cụ quá mức sẽ không tăng tốc độ khoan lên được. Trên thực tế, việc nhấn mạnh thêm này sẽ chỉ làm gây hỏng đầu mũi của bạn, giảm hiệu năng và tuổi thọ hoạt động của dụng cụ.
- Sẽ có lực quán tính rất lớn trên dụng cụ/mũi khoan lúc lỗ khoan được xuyên thủng. Giữ chặt dụng cụ và chuẩn bị ghìm lực quán tính lại khi mũi khoan xuyên thủng vật gia công.
- Mũi khoan bị kẹt có thể được tháo ra đơn giản bằng cách đặt công tắc đảo chiều sang chế độ xoay ngược lại để rút mũi khoan ra. Tuy nhiên, dụng cụ có thể quay ngược ra bất ngờ nếu bạn không giữ chặt.
- Luôn luôn giữ chặt các vật gia công có kích thước nhỏ bằng kim hoặc dụng cụ kẹp tương tự.
- Nếu dụng cụ được vận hành liên tục cho đến khi hộp pin đã bị xả kiệt, hãy để dụng cụ nghỉ 15 phút trước khi thực hiện tiếp bằng pin mới.

BẢO TRÌ

⚠ CẢN TRỌNG:

- Hãy luôn chắc chắn rằng dụng cụ đã được tắt và hộp pin đã được tháo ra trước khi cố gắng thực hiện việc kiểm tra hay bảo dưỡng.
- Không bao giờ dùng xăng, ét xăng, dung môi, cồn hoặc hóa chất tương tự. Có thể xảy ra hiện tượng mất màu, biến dạng hoặc nứt vỡ.

Để đảm bảo AN TOÀN và TIN CẬY của sản phẩm, việc sửa chữa hoặc bất cứ thao tác bảo trì, điều chỉnh nào đều phải được thực hiện bởi các Trung tâm Dịch vụ Được Ủy quyền của Makita (Makita Authorized Service Center), luôn sử dụng các phụ tùng thiết bị thay thế của Makita.

PHỤ KIỆN TÙY CHỌN

⚠ CẢN TRỌNG:

- Các phụ kiện hoặc phụ tùng gắn thêm này được khuyến cáo sử dụng với dụng cụ Makita của bạn theo như quy định trong hướng dẫn này. Việc sử dụng bất cứ phụ kiện hoặc phụ tùng gắn thêm nào khác đều có thể gây ra rủi ro thương tích cho người. Chỉ sử dụng phụ kiện hoặc phụ tùng gắn thêm cho mục đích đã quy định sẵn của chúng.

Nếu bạn cần hỗ trợ để biết thêm chi tiết về những phụ kiện này, hãy liên hệ với Trung tâm Dịch vụ của Makita tại địa phương của bạn.

- Các mũi khoan
- Các đầu mũi vít
- Các loại pin và bộ sạc chính hãng của Makita
- Bộ chuyển đổi sạc pin tự động làm tươi
- Hộp nhựa chứa dụng cụ

LƯU Ý:

- Một vài mục trong danh sách có thể được bao gồm trong gói dụng cụ làm phụ kiện tiêu chuẩn. Các thông số kỹ thuật có thể thay đổi tùy theo từng quốc gia.

คำอธิบายของมุมมองทั่วไป

- | | | |
|---------------------|----------------------------|----------------|
| 1. ไฟแสดงสถานะสีแดง | 5. สวิตช์สั่งงาน | 9. เลขบอกระดับ |
| 2. ปุ่ม | 6. ก้านสวิตช์เปลี่ยนทิศทาง | 10. ลูกศรชี้ |
| 3. ตลับแบตเตอรี่ | 7. ก้านเปลี่ยนความเร็ว | 11. ปลอก |
| 4. เครื่องหมายดาว | 8. แนวนปรับ | |

ข้อมูลจำเพาะ

รุ่น		BDF343	BDF453
ความสามารถในการเจาะ	โลหะ	10 มม.	13 มม.
	ไม้	25 มม.	36 มม.
	สกรูยึดไม้	5.1 มม. x 63 มม.	6 มม. x 75 มม.
	สกรูยึดโลหะ	6 มม.	
ความเร็วขณะหมุนเปล่า (รอบต่อนาที)	สูง (2)	0 - 1,300	
	ต่ำ (1)	0 - 400	
ความยาวโดยรวม		192 มม.	214 มม.
น้ำหนักสุทธิ		1.4 กก.	1.6 กก.
แรงดันไฟฟ้า		กระแสตรง 14.4 โวลต์	กระแสตรง 18 โวลต์

- เนื่องจากการค้นคว้าวิจัยและพัฒนาอย่างต่อเนื่อง ข้อมูลจำเพาะในเอกสารฉบับนี้อาจเปลี่ยนแปลงได้โดยไม่ต้องแจ้งให้ทราบล่วงหน้า
- ข้อมูลจำเพาะและตลับแบตเตอรี่อาจแตกต่างกันไปในแต่ละประเทศ
- น้ำหนักรวมตลับแบตเตอรี่ตามข้อบังคับของ EPTA 01/2003

END004-4

สัญลักษณ์

ต่อไปนี้เป็นสัญลักษณ์ที่ใช้สำหรับอุปกรณ์ โปรดศึกษาความหมายของสัญลักษณ์ให้เข้าใจก่อนการใช้งาน



..... อ่านคู่มือการใช้งาน

ENE034-1

จุดประสงค์ของเครื่องมือ

เครื่องมือนี้ใช้สำหรับเจาะและขันสกรูลงในไม้ โลหะ และพลาสติก

GEA006-2

คำเตือนด้านความปลอดภัยของเครื่องมือไฟฟ้าทั่วไป

⚠ คำเตือน! อ่านคำเตือนด้านความปลอดภัยและคำแนะนำทั้งหมด การไม่ปฏิบัติตามคำเตือนและคำแนะนำดังกล่าวอาจส่งผลให้เกิดไฟฟ้าช็อต ไฟไหม้ และ/หรือได้รับบาดเจ็บอย่างร้ายแรง

เก็บรักษาคำเตือนและคำแนะนำทั้งหมดไว้เป็นข้อมูลอ้างอิงในอนาคต

คำว่า "เครื่องมือไฟฟ้า" ในคำเตือนนี้หมายถึงเครื่องมือไฟฟ้า (มีสาย) ที่ทำงานโดยใช้กระแสไฟฟ้าหรือเครื่องมือไฟฟ้า (ไร้สาย) ที่ทำงานโดยใช้แบตเตอรี่

ความปลอดภัยของพื้นที่ทำงาน

1. ดูแลพื้นที่ทำงานให้มีความสะอาดและมีแสงไฟสว่าง พื้นที่รกกระเถอะหรือมืดทึบอาจนำไปสู่การเกิดอุบัติเหตุได้
2. อย่าใช้งานเครื่องมือไฟฟ้าในสภาพที่อาจเกิดการระเบิด เช่น ในสถานที่ที่มีของเหลว ก๊าซ หรือฝุ่นผงที่มีคุณสมบัติไวไฟ เครื่องมือไฟฟ้าจะสร้างประกายไฟเพื่อจุดชนวนฝุ่นผงหรือก๊าซดังกล่าว
3. ดูแลไม่ให้มีเด็ก ๆ หรือบุคคลอื่นอยู่ในบริเวณที่กำลังใช้เครื่องมือไฟฟ้า การมีสิ่งรบกวนสมาธิอาจทำให้คุณสูญเสียการควบคุม

ความปลอดภัยด้านไฟฟ้า

- ปลั๊กของเครื่องมือไฟฟ้าต้องพอดีกับตัวรับ อย่าดัดแปลงปลั๊กไม่ว่ากรณีใดๆ อย่าใช้ปลั๊กอะแดปเตอร์กับเครื่องมือไฟฟ้าที่ต่อสายดิน ปลั๊กที่ไม่ถูกดัดแปลงและตัวรับไฟที่เข้ากันพอดีจะช่วยลดความเสี่ยงของการเกิดไฟฟ้าช็อต
- ระวังอย่าให้ร่างกายสัมผัสกับพื้นผิวที่ต่อสายดิน เช่น ท่อเครื่องนำความร้อน เตาหุงต้ม และตู้เย็น มีความเสี่ยงที่จะเกิดไฟฟ้าช็อตสูงขึ้น หากร่างกายของคุณสัมผัสกับพื้น
- อย่าให้เครื่องมือไฟฟ้าถูกน้ำหรืออยู่ในสภาพเปียกชื้น น้ำที่ไหลเข้าไปในเครื่องมือไฟฟ้าจะเพิ่มความเสี่ยงของการเกิดไฟฟ้าช็อต
- อย่าใช้สายไฟอย่างไม่เหมาะสม อย่าใช้สายไฟเพื่อยก ดึงหรือถอดปลั๊กเครื่องมือไฟฟ้า เก็บสายไฟให้ห่างจากความร้อน น้ำมัน ขอนมีคม หรือชิ้นส่วนที่เคลื่อนที่ สายที่ชำรุดหรือพันกันจะเพิ่มความเสี่ยงของการเกิดไฟฟ้าช็อต
- ขณะที่ทำงานเครื่องมือไฟฟ้านอกอาคาร ควรใช้สายต่อพ่วงที่เหมาะสมกับงานภายนอกอาคาร การใช้สายที่เหมาะสมกับงานภายนอกอาคารจะลดความเสี่ยงของการเกิดไฟฟ้าช็อต
- หากต้องใช้งานเครื่องมือไฟฟ้าในสถานที่เปียกชื้น ให้ใช้อุปกรณ์ตัดวงจรเมื่อมีกระแสไฟฟ้ารั่วลงดิน (GFCI) การใช้ GFCI จะลดความเสี่ยงของการเกิดไฟฟ้าช็อต

ความปลอดภัยส่วนบุคคล

- ให้ระมัดระวังและสังเกตเสมอว่าคนกำลังทำสิ่งใดอยู่ และใช้สามัญสำนึกในขณะที่ใช้งานเครื่องมือไฟฟ้า อย่าใช้งานเครื่องมือไฟฟ้าในขณะที่คุณกำลังเหนื่อย หรือในสภาพที่มีเมฆมาจายาเสฟติด เครื่องดื่ม แอลกอฮอล์ หรือการിച്ചยา ช่วงเวลาที่ขาดความระมัดระวังเมื่อกำลังใช้งานเครื่องมือไฟฟ้าอาจทำให้คุณได้รับบาดเจ็บอย่างรุนแรง
- ใช้อุปกรณ์ป้องกันส่วนบุคคล สวมแว่นตาป้องกันเสมอ อุปกรณ์ป้องกัน เช่น หน้ากากกันฝุ่น รองเท้านิรภัยกันลื่น หมวกนิรภัย หรือเครื่องป้องกันการได้ยินที่ใช้ในสภาพที่เหมาะสมจะช่วยลดการบาดเจ็บ
- ป้องกันไม่ให้เปิดใช้งานโดยไม่ตั้งใจ ตรวจสอบว่าสวิตช์อยู่ในตำแหน่งปิดก่อนเชื่อมต่อกับแหล่งจ่ายไฟ และ/หรือชุดแบตเตอรี่ หรือก่อนการยกหรือถือเครื่องมือ การสอดนิ้วมือบริเวณสวิตช์เพื่อถือเครื่องมือไฟฟ้า หรือการชาร์จไฟเครื่องมือไฟฟ้าในขณะที่เปิดสวิตช์อยู่อาจนำไปสู่การเกิดอุบัติเหตุ
- นำอุปกรณ์ปรับแต่งหรือประแจออกก่อนที่จะเปิดเครื่องมือไฟฟ้า ประแจหรือกุญแจที่เสียบค้างอยู่ในชิ้นส่วนที่หมุนได้ของเครื่องมือไฟฟ้าอาจทำให้คุณได้รับบาดเจ็บ
- อย่าทำงานในระยะที่มืดเอี่ยม จัดท่าการยืนและการทรงตัวให้เหมาะสมตลอดเวลา เพราะจะทำให้ควบคุมเครื่องมือไฟฟ้าได้ดีขึ้นในสถานการณ์ที่ไม่คาดคิด

- แต่งกายให้เหมาะสม อย่าสวมเครื่องแต่งกายที่หลวมเกินไป หรือสวมเครื่องประดับ ดูแลไม่ให้เส้นผม เสื้อผ้า และถุงมืออยู่ใกล้ชิ้นส่วนที่เคลื่อนที่ เสื้อผ้ารุ่มร่าม เครื่องประดับหรือผมที่มีความยาวอาจเข้าไปติดในชิ้นส่วนที่เคลื่อนที่
- หากมีการจัดอุปกรณ์สำหรับคุณและจัดเก็บฝุ่นไว้ในสถานที่ ให้ตรวจสอบว่าได้เชื่อมต่อและใช้งานอุปกรณ์นั้นอย่างเหมาะสม การใช้เครื่องดูดและจัดเก็บฝุ่นจะช่วยลดอันตรายที่เกิดจากฝุ่นผงได้

การใช้และดูแลเครื่องมือไฟฟ้า

- อย่าฝืนใช้เครื่องมือไฟฟ้า ใช้เครื่องมือไฟฟ้าที่เหมาะสมกับการใช้งานของคุณ เครื่องมือไฟฟ้าที่เหมาะสมจะทำงานให้ได้ดีงานที่มีประสิทธิภาพและปลอดภัยกว่าตามขีดความสามารถของเครื่องที่ได้รับการออกแบบมา
- อย่าใช้เครื่องมือไฟฟ้า หากสวิตช์ไม่สามารถเปิดปิดได้ เครื่องมือไฟฟ้าที่ควบคุมด้วยสวิตช์ไม่ได้เป็นอันตรายและต้องได้รับการซ่อมแซม
- ถอดปลั๊กจากแหล่งจ่ายไฟ และ/หรือชุดแบตเตอรี่ออกจากเครื่องมือไฟฟ้าก่อนทำการปรับแต่ง เปลี่ยนอุปกรณ์เสริม หรือจัดเก็บเครื่องมือไฟฟ้า วิธีการป้องกันด้านความปลอดภัยดังกล่าวจะช่วยลดความเสี่ยงของการเปิดใช้งานเครื่องมือไฟฟ้าโดยไม่ตั้งใจ
- จัดเก็บเครื่องมือไฟฟ้าที่ไม่ได้ใช้งานให้ห่างจากมือเด็ก และอย่าอนุญาตให้บุคคลที่ไม่คุ้นเคยกับเครื่องมือไฟฟ้า หรือคำแนะนำเหล่านี้ใช้งานเครื่องมือไฟฟ้า เครื่องมือไฟฟ้าจะเป็นอันตรายเมื่ออยู่ในมือของผู้ที่ไม่ได้รับการฝึกอบรม
- การดูแลรักษาเครื่องมือไฟฟ้า ตรวจสอบการประกอบที่ไม่ถูกต้องหรือการเชื่อมต่อของชิ้นส่วนที่เคลื่อนที่ การแตกหักของชิ้นส่วน หรือสภาพอื่นๆ ที่อาจส่งผลกระทบต่อการทำงานของเครื่องมือไฟฟ้า หากมีความเสียหายให้นำเครื่องมือไฟฟ้าไปซ่อมแซมก่อนการใช้งาน อุบัติเหตุจำนวนมากเกิดจากการดูแลรักษาเครื่องมือไฟฟ้าอย่างไม่ถูกต้อง
- ล้างความคมและทำความสะอาดเครื่องมือการตัดอยู่เสมอ เครื่องมือการตัดที่มีการดูแลอย่างถูกต้องและมีขอบการตัดคมมักจะมีปัญหาตัดน้อยและควบคุมได้ง่ายกว่า
- ใช้เครื่องมือไฟฟ้า อุปกรณ์เสริม และวัสดุสิ้นเปลือง ฯลฯ ตามคำแนะนำดังกล่าว พิจารณาสภาพการทำงานและงานที่จะลงมือทำ การใช้เครื่องมือไฟฟ้าเพื่อทำงานอื่นนอกเหนือจากที่กำหนดไว้อาจทำให้เกิดอันตราย

การใช้และดูแลเครื่องมือแบตเตอรี่

- ชาร์จไฟใหม่ด้วยเครื่องชาร์จที่ระบุโดยผู้ผลิตเท่านั้น เครื่องชาร์จที่เหมาะสมสำหรับชุดแบตเตอรี่ประเภทหนึ่งอาจมีความเสี่ยงที่จะเกิดไฟไหม้เมื่อนำไปใช้กับชุดแบตเตอรี่อีกประเภทหนึ่ง

25. ใช้เครื่องมือไฟฟ้ากับชุดแบตเตอรี่ที่กำหนดมาโดยเฉพาะเท่านั้น การใช้ชุดแบตเตอรี่ประเภทอื่นอาจมีความเสี่ยงที่จะได้รับบาดเจ็บและไฟไหม้
26. เมื่อไม่ใช้งานชุดแบตเตอรี่ ให้เก็บห่างจากวัตถุที่เป็นโลหะอื่น ๆ เช่น คลิปหนีบกระดาษ เหรียญ กุญแจ กรรไกรตัดเล็บ สกรู หรือวัตถุที่เป็นโลหะขนาดเล็กอื่น ๆ ที่สามารถเชื่อมต่อขั้วหนึ่งกับอีกขั้วหนึ่งได้ การลัดวงจรขั้วแบตเตอรี่อาจทำให้ร้อนจัดหรือเกิดไฟไหม้
27. ในกรณีที่ใช้งานไม่ถูกต้อง อาจมีของเหลวไหลออกจากแบตเตอรี่ ให้หลีกเลี่ยงการสัมผัส หากสัมผัสโดนของเหลวโดยไม่ได้ตั้งใจ ให้ล้างออกด้วยน้ำ หากของเหลวกระเด็นเข้าตา ให้รีบไปพบแพทย์ ของเหลวที่ไหลออกจากแบตเตอรี่อาจทำให้ผิวหนังระคายเคืองหรือไหม้

การบริการ

28. นำเครื่องมือไฟฟ้าเข้ารับบริการจากช่างซ่อมที่ผ่านการรับรองโดยช่างอะไหล่แบบเดียวกันเท่านั้น เพราะจะทำให้การใช้เครื่องมือไฟฟ้ามีความปลอดภัย
29. ปฏิบัติตามคำแนะนำในการหล่อลื่นและการเปลี่ยนอุปกรณ์เสริม
30. ดูแลมือจับให้แห้ง สะอาด และไม่มีน้ำมันและจาระบีเปื้อน

GE088-1

คำเตือนด้านความปลอดภัยของ ไขควงไฟฟ้าแบบไร้สาย

1. ใช้มือจับเสริม ถ้ามีมากับเครื่อง การสูญเสียความควบคุมอาจทำให้เกิดการบาดเจ็บ
2. ถือเครื่องมือไฟฟ้าบริเวณมือจับที่เป็นฉนวนขณะทำงานที่เครื่องมือตัดอาจสัมผัสกับสายไฟที่ซ่อนอยู่ เครื่องมือตัดที่สัมผัสกับสายไฟที่ "มีกระแสไฟฟ้าไหลผ่าน" อาจทำให้ส่วนที่เป็นโลหะของเครื่องมือไฟฟ้าที่ไม่มีฉนวนหุ้ม "มีกระแสไฟฟ้าไหลผ่าน" และทำให้ผู้ปฏิบัติงานถูกไฟฟ้าช็อตได้
3. ถือเครื่องมือไฟฟ้าบริเวณมือจับที่เป็นฉนวนขณะทำงานที่สายรัดอาจสัมผัสกับสายไฟที่ซ่อนอยู่ สายรัดที่สัมผัสกับสายไฟที่ "มีกระแสไฟฟ้าไหลผ่าน" อาจทำให้ส่วนที่เป็นโลหะของเครื่องมือไฟฟ้าที่ไม่มีฉนวนหุ้ม "มีกระแสไฟฟ้าไหลผ่าน" และทำให้ผู้ปฏิบัติงานถูกไฟฟ้าช็อตได้
4. ตรวจสอบบริเวณที่ยืนให้มีความมั่นคงเสมอหากใช้งานเครื่องมือในพื้นที่สูง ระวังอย่าให้มีคนอยู่ด้านล่าง
5. จับเครื่องมือให้แน่น
6. ระวังอย่าให้มือสัมผัสกับชิ้นส่วนที่หมุนได้
7. อย่าปล่อยให้เครื่องมือทำงานค้างไว้ ใช้งานเครื่องมือในขณะที่ยังถืออยู่เท่านั้น
8. ห้ามสัมผัสกับดอกสว่านหรือชิ้นงานทันทีที่ทำงานเสร็จ เนื่องจากดอกสว่านหรือชิ้นงานอาจมีความร้อนสูงและลวกผิวหนังของคุณได้

9. วัสดุบางอย่างอาจมีสารเคมีที่เป็นพิษ ระวังอย่าสูดดมฝุ่นหรือให้สารเหล่านั้นสัมผัสกับร่างกาย ปฏิบัติตามข้อมูลด้านความปลอดภัยของผู้ผลิตวัสดุ

บันทึกคำแนะนำเหล่านี้

⚠ คำเตือน:

อย่าให้ความไม่ระมัดระวังหรือความคุ้นเคยกับผลิตภัณฑ์ (จากการใช้งานซ้ำหลายครั้ง) อยู่เหนือการปฏิบัติตามกฎเกณฑ์ด้านความปลอดภัยในการใช้งานผลิตภัณฑ์อย่างเคร่งครัด การใช้งานอย่างไม่เหมาะสมหรือการไม่ปฏิบัติตามกฎเกณฑ์ด้านความปลอดภัยในคู่มือใช้งานนี้อาจก่อให้เกิดการบาดเจ็บอย่างรุนแรง

ENC007-7

คำแนะนำด้านความปลอดภัยที่สำคัญ

สำหรับดัลล์แบตเตอรี่

1. ก่อนใช้งานดัลล์แบตเตอรี่ ให้อ่านคำแนะนำและเครื่องหมายเตือนทั้งหมดบน (1) เครื่องชาร์จแบตเตอรี่ (2) แบตเตอรี่และ (3) ตัวผลิตภัณฑ์ที่ใช้แบตเตอรี่
2. ห้ามถอดแยกส่วนดัลล์แบตเตอรี่
3. หากระยะเวลาในการใช้งานสั้นเกินไป ให้หยุดใช้งานทันที เนื่องจากอาจมีความเสี่ยงที่จะร้อนจัด ไหม้หรือระเบิดได้
4. หากสารละลายอิเล็กโทรไลต์กระเด็นเข้าตา ให้ล้างออกด้วยน้ำเปล่าและรีบไปพบแพทย์ทันที เนื่องจากอาจทำให้ตาบอด
5. ห้ามลัดวงจรดัลล์แบตเตอรี่:
 - (1) ห้ามแตะขั้วกับวัตถุที่เป็นสื่อไฟฟ้าใด ๆ
 - (2) หลีกเลี่ยงการเก็บดัลล์แบตเตอรี่ไว้ในภาชนะร่วมกับวัตถุที่เป็นโลหะ เช่น กรรไกรตัดเล็บ เหรียญ ฯลฯ
 - (3) อย่าให้ดัลล์แบตเตอรี่ถูกน้ำหรือฝน
 แบตเตอรี่ลัดวงจรอาจทำให้เกิดการไหลของกระแสไฟฟ้า ร้อนจัด ไหม้หรือเสียหายได้
6. ห้ามเก็บเครื่องมือและดัลล์แบตเตอรี่ไว้ในสถานที่ที่มีอุณหภูมิสูงถึงหรือเกิน 50°C
7. ห้ามเผาทั้งดัลล์แบตเตอรี่ แม้ว่าแบตเตอรี่จะหมดหรือเสียหายจนใช้การไม่ได้ก็ ตลบลแบตเตอรี่อาจจะเปิดในกองไฟ
8. ระวังอย่าทำแบตเตอรี่ตกหล่นหรือกระทบกระแทก
9. ห้ามใช้แบตเตอรี่ที่เสียหาย

บันทึกคำแนะนำเหล่านี้

เคล็ดลับในการรักษาอายุการใช้งานของแบตเตอรี่ให้ยาวนานที่สุด

1. ชาร์จไฟดับแบตเตอรี่ก่อนที่ไฟจะหมดอายุการใช้งานของเครื่องมือและชาร์จไฟดับแบตเตอรี่เมื่อเครื่องมือมีกำลังไฟอ่อน
2. ห้ามชาร์จไฟดับแบตเตอรี่ที่ชาร์จไฟเต็มแล้วซ้ำอีกการชาร์จไฟมากเกินไปจะลดอายุการใช้งานของแบตเตอรี่
3. ชาร์จไฟดับแบตเตอรี่ในห้องที่มีอุณหภูมิ 10°C - 40°C ปล่อยให้ดับแบตเตอรี่เย็นลงก่อนที่จะชาร์จไฟ
4. ชาร์จแบตเตอรี่หนึ่งครั้งในทุก ๆ เดือนหากคุณไม่ได้ใช้งานเครื่องมือนี้เป็นเวลานาน

คำอธิบายการทำงาน

⚠ ข้อควรระวัง:

- ตรวจสอบให้แน่ใจว่าสวิตช์เครื่องมืออยู่ในตำแหน่งปิดเครื่องและถอดด้ามแบตเตอรี่ออกก่อนปรับตั้งหรือตรวจสอบการทำงานของงานของเครื่องมือ

การติดตั้งหรือถอดด้ามแบตเตอรี่ (ภาพที่ 1)

- ปิดสวิตช์เครื่องมือก่อนทำการใส่หรือถอดด้ามแบตเตอรี่ทุกครั้ง
- เมื่อต้องการถอดด้ามแบตเตอรี่ ให้เลื่อนปุ่มที่ด้านหน้าของด้ามแล้วดึงออกจากเครื่องมือ
- เมื่อต้องการใส่ด้ามแบตเตอรี่ ให้จัดแนวสันบนด้ามแบตเตอรี่ให้ตรงกับร่องบนตัวเครื่องมือ แล้วเลื่อนด้ามแบตเตอรี่เข้าที่ ให้แน่ใจว่าใส่ด้ามแบตเตอรี่เข้าจนสุดจนกระทั่งได้ยินเสียงคลิก ล็อคเข้าที่ หากคุณยังเห็นส่วนสีแดงที่ด้านบนของปุ่ม แสดงว่าด้ามแบตเตอรี่ยังไม่ล็อคเข้าที่ ให้ดันด้ามแบตเตอรี่เข้าจนสุดจนไม่เห็นส่วนสีแดงอีก ไม่เช่นนั้น ด้ามแบตเตอรี่อาจหลุดออกจากเครื่องมือทำให้คุณหรือคนรอบข้างได้รับบาดเจ็บ
- อย่าใช้แรงมากเกินไปเมื่อใส่ด้ามแบตเตอรี่ หากด้ามแบตเตอรี่ไม่เลื่อนเข้าไปโดยง่าย แสดงว่าใส่ไม่ถูกต้อง

ระบบป้องกันของแบตเตอรี่ (แบตเตอรี่ลิเทียมไอออนที่มีเครื่องหมายดาว) (ภาพที่ 2)

สำหรับรุ่น BDF453

แบตเตอรี่ลิเทียมไอออนที่มีเครื่องหมายดาวจะมีระบบป้องกันระบบนี้จะทำการตัดพลังงานของเครื่องมือโดยอัตโนมัติเพื่อยืดอายุแบตเตอรี่

เครื่องมือจะหยุดทำงานระหว่างการใช้งานโดยอัตโนมัติเมื่อเครื่องมือและ/หรือแบตเตอรี่อยู่ภายใต้สถานการณ์ต่อไปนี้:

- ทำงานหนักเกินไป:
เครื่องมือทำงานในลักษณะที่ต้องใช้พลังงานไฟฟ้าสูงผิดปกติ

ในสถานการณ์นี้ ให้ปล่อยสวิตช์สั่งงานของเครื่องมือและหยุดการใช้งานในรูปแบบที่อาจจะทำให้เครื่องมือทำงานหนักเกินไปได้ แล้วค่อยดึงสวิตช์สั่งงานอีกครั้งเพื่อเริ่มทำงานต่อ หากเครื่องมือไม่เริ่มต้นทำงานแสดงว่าแบตเตอรี่ร้อนเกินไป ในสถานการณ์นี้ ให้ปล่อยแบตเตอรี่ให้เย็นลงก่อนที่จะดึงสวิตช์สั่งงานอีกครั้ง

- พลังงานในแบตเตอรี่ต่ำ:

พลังงานในแบตเตอรี่เหลือน้อยเกินไปและเครื่องมือจะไม่ทำงาน ในสถานการณ์นี้ ให้ถอดแบตเตอรี่ออกแล้วชาร์จแบตเตอรี่ใหม่

การทำงานของสวิตช์ (ภาพที่ 3)

⚠ ข้อควรระวัง:

- ก่อนใส่ด้ามแบตเตอรี่ลงในเครื่องมือ ให้ตรวจสอบว่าสวิตช์สั่งงานสามารถทำงานได้อย่างถูกต้อง และกลับไปยังตำแหน่ง "OFF" เมื่อปล่อย

เปิดใช้เครื่องมือโดยดึงสวิตช์สั่งงาน ความเร็วเครื่องมือจะเพิ่มขึ้นเมื่อออกแรงกดที่สวิตช์สั่งงาน ปล่อยสวิตช์สั่งงานเพื่อหยุดทำงาน

การทำงานของสวิตช์เปลี่ยนทิศทาง (ภาพที่ 4)

เครื่องมือนี้มีสวิตช์เปลี่ยนทิศทาง เพื่อใช้เปลี่ยนทิศทางการหมุน ด้านก้านสวิตช์เปลี่ยนทิศทางจากด้าน A เพื่อให้หมุนตามเข็มนาฬิกา หรือจากด้าน B เพื่อให้หมุนทวนเข็มนาฬิกา เมื่อก้านสวิตช์เปลี่ยนทิศทางอยู่ในตำแหน่งปกติ สวิตช์สั่งงานจะไม่สามารถดึงได้

⚠ ข้อควรระวัง:

- ตรวจสอบทิศทางการหมุนก่อนการใช้งานเสมอ
- ใช้สวิตช์เปลี่ยนทิศทางหลังเครื่องมือหยุดสนิทเท่านั้น การเปลี่ยนทิศทางก่อนเครื่องมือหยุดสนิทอาจทำให้เครื่องมือเสียหายได้
- เมื่อไม่ได้ใช้งานเครื่องมือ ตรวจสอบให้แน่ใจว่าก้านสวิตช์เปลี่ยนทิศทางอยู่ในตำแหน่งปกติ

การเปลี่ยนระดับความเร็ว (ภาพที่ 5)

เมื่อต้องการเปลี่ยนระดับความเร็ว ให้ปิดสวิตช์เครื่องมือก่อนแล้วจึงเลื่อนก้านเปลี่ยนระดับความเร็วไปที่ "2" สำหรับความเร็วสูง หรือ "1" สำหรับความเร็วต่ำ ตรวจสอบให้แน่ใจว่าก้านเปลี่ยนระดับความเร็วอยู่ในตำแหน่งที่ถูกต้องก่อนการใช้งาน ใช้ความเร็วที่เหมาะสมกับงานของคุณ

⚠ ข้อควรระวัง:

- ตรวจสอบก้านเปลี่ยนระดับความเร็วให้อยู่ในตำแหน่งที่ถูกต้องเสมอ หากคุณใช้งานเครื่องมือโดยที่ก้านเปลี่ยนระดับความเร็ว อยู่กึ่งกลางระหว่าง "1" และ "2" เครื่องมืออาจเสียหายได้
- ห้ามใช้ก้านเปลี่ยนระดับความเร็วในขณะที่เครื่องมือกำลังทำงานอยู่ เครื่องมืออาจเสียหายได้

การปรับตั้งแรงบิดขันแน่น (ภาพที่ 6)

แรงบิดขันแน่นสามารถปรับตั้งได้ 17 ระดับโดยการหมุนแหวนปรับ จุลลูกศรชี้ตรงกับเลขบอกระดับบนตัวเครื่องมือ แรงบิดขันแน่นมี น้อยที่สุดเมื่อหมุนหมายเลข 1 มาไว้ที่ลูกศร และสูงสุดเมื่อเครื่อง หมาย ๑ อยู่ตรงกับลูกศร

คลัตช์จะเลื่อนเข้าทำงานในระดับแรงบิดที่แตกต่างกันไป เมื่อตั้ง ระดับไว้ที่หมายเลข 1 ถึง 16 โดยคลัตช์นั้นได้รับการออกแบบมาเพื่อ ไม่ให้เลื่อนบนเครื่องมือ ๑

ก่อนที่จะทำงานจริง ให้ลองทดสอบขันสลกรูลงในวัสดุหรือชิ้นวัสดุที่ เหมือนกันเพื่อกำหนดว่าระดับแรงบิดเท่าใดที่ต้องการสำหรับการใช้ งานนั้นๆ

การประกอบ

⚠ ข้อควรระวัง:

- ตรวจสอบให้แน่ใจว่าสวิตช์เครื่องมืออยู่ในตำแหน่งปิดเครื่อง และถอดสลับแบตเตอรี่ออกก่อนดำเนินการใดๆ กับเครื่องมือ

การติดตั้งและถอดดอกสว่านหรือหัวบีอกซ์

(ภาพที่ 7)

หมุนปลอกทวนเข็มนาฬิกาเพื่อเปิดปากหัวจับ ใส่ดอกสว่านลงไป ในหัวจับจนสุด หมุนปลอกตามเข็มนาฬิกาเพื่อขันหัวจับให้แน่น เพื่อถอดดอกสว่านออก ให้หมุนปลอกทวนเข็มนาฬิกา

การใช้งาน

⚠ ข้อควรระวัง:

- ให้แน่ใจว่าใส่สลับแบตเตอรี่เข้าจนสุดจนกระทั่งได้ยินเสียงล็อก เข้าที่ หากคูลังเห็นส่วนสีแดงที่ด้านบนของปุ่ม แสดงว่าสลับ แบตเตอรี่ยังไม่ล็อกเข้าที่ ให้ดันสลับแบตเตอรี่เข้าจนสุดจน ไม่เห็นส่วนสีแดงอีก ไม่เช่นนั้น สลับแบตเตอรี่อาจหลุดออกจาก เครื่องมือทำให้คุณหรือคนรอบข้างได้รับบาดเจ็บ

การขันแน่นสลกรู (ภาพที่ 8)

⚠ ข้อควรระวัง:

- หมุนแหวนปรับไปยังระดับแรงบิดที่เหมาะสมกับงานของคุณ วางปลายดอกไขควงที่หัวสลกรูและออกแรงดันเครื่องมือ เริ่มใช้งาน เครื่องมือด้วยความเร็วต่ำ แล้วค่อยๆ เพิ่มความเร็ว ปล่อยสวิตช์สั่งงาน ทันทีที่คลัตช์ทำงาน

⚠ ข้อควรระวัง:

- ตรวจสอบให้แน่ใจว่าวางดอกไขควงตรงกับหัวสลกรู ไม่เช่นนั้น สลกรูและ/หรือดอกไขควงอาจเสียหายได้

หมายเหตุ:

- เมื่อขันสลกรูยึดไม้ ให้เจาะรูนำไว้ก่อนเพื่อให้ขันได้ง่ายขึ้นและเพื่อ ป้องกันไม่ให้ชิ้นงานแยกออกจากกัน โปรดดูที่ตาราง

เส้นผ่านศูนย์กลางปรากฏ ของสลกรูยึดไม้ (มม.)	ขนาดรูนำที่แนะนำ (มม.)
3.1	2.0 - 2.2
3.5	2.2 - 2.5
3.8	2.5 - 2.8
4.5	2.9 - 3.2
4.8	3.1 - 3.4
5.1	3.3 - 3.6
5.5	3.7 - 3.9
5.8	4.0 - 4.2
6.1	4.2 - 4.4

006421

การเจาะ

ขั้นแรกให้หมุนแหวนปรับจุลลูกศรชี้ไปที่เครื่องหมาย ๑ จากนั้นทำ ตามขั้นตอนต่อไปนี้

การเจาะไม้

เพื่อให้ได้ผลดีในการเจาะไม้ ควรใช้สว่านเจาะไม้ควบคู่กับสลกรูนำ สลกรูนำจะช่วยให้การเจาะง่ายขึ้น โดยการดึงดอกสว่านลงในชิ้นงาน

การเจาะโลหะ

เพื่อป้องกันดอกสว่านเลื่อนเมื่อเริ่มเจาะรู ให้ทำรอยตัดด้วยเหล็ก เจาะนำศูนย์กลางและค้อนในจุดที่จะเจาะ วางปลายดอกสว่านที่รอยตัด และเริ่มเจาะ

ใช้สารหล่อลื่นสำหรับการตัดเมื่อเจาะโลหะ ยกเว้นการเจาะเหล็ก และทองเหลือง ซึ่งควรเจาะแบบแห้ง

⚠ ข้อควรระวัง:

- การออกแรงกดบนเครื่องมือไม่ช่วยให้การเจาะเร็วขึ้น ตาม ข้อเท็จจริงแล้ว แรงกดที่มากเกินไปจะทำให้ปลายดอกสว่านเสียหาย ลดประสิทธิภาพและอายุการใช้งานของเครื่องมือ
- จะมีแรงกดบนเครื่องมือ/ดอกสว่านอย่างมากขณะเจาะรู จับ เครื่องมือให้แน่น และระมัดระวังเมื่อดอกสว่านเริ่มเจาะทะลุชิ้น งาน
- ดอกสว่านที่ติดอยู่ที่ชิ้นงานสามารถนำออกมาได้ง่ายโดยการใช้ งานสวิตช์เปลี่ยนทิศทางเพื่อเปลี่ยนทิศทางการหมุนของดอก สว่านให้ถอยออกจากชิ้นงาน อย่างไรก็ตาม เครื่องมืออาจจะ ถอยออกทันทีโดยที่คุณไม่ทันตั้งตัว คุณจึงควรจับเครื่องมือไว้ให้ แน่น
- ยึดชิ้นงานขนาดเล็กด้วยปากกาจับงาน หรืออุปกรณ์จับยึดที่ คล้ายคลึงกันเสมอ
- หากใช้งานเครื่องมืออย่างต่อเนื่องจนกระทั่งสลับแบตเตอรี่หมด ไฟ ให้พักเครื่องมือไว้ประมาณ 15 นาทีก่อนใส่แบตเตอรี่ที่ชาร์จ ไฟใหม่

การบำรุงรักษา

⚠ ข้อควรระวัง:

- ตรวจสอบให้แน่ใจว่าสวิตช์เครื่องมืออยู่ในตำแหน่งปิดเครื่อง และถอดปลั๊กแบตเตอรี่ออกก่อนทำการตรวจสอบหรือบำรุงรักษา
- อย่าใช้น้ำมันเชื้อเพลิง เบนซิน ทินเนอร์ แอลกอฮอล์ หรือวัสดุประเภทเดียวกัน เพราะอาจทำให้เครื่องมือมีสีที่ชัดเจน ผิดรูปทรง หรือแตกหักได้

เพื่อความปลอดภัยและความน่าเชื่อถือของผลิตภัณฑ์ ควรให้ศูนย์บริการที่ผ่านการรับรองจาก Makita เป็นผู้ดำเนินการซ่อมแซมบำรุงรักษา และทำการปรับตั้งอื่นๆ นอกจากนี้ให้ใช้อะไหล่ของแท้จาก Makita เสมอ

อุปกรณ์เสริม

⚠ ข้อควรระวัง:

- ขอแนะนำให้ใช้เฉพาะอุปกรณ์เสริมหรืออุปกรณ์ต่อพ่วงเหล่านี้กับเครื่องมือ Makita ที่ระบุในคู่มือ การใช้อุปกรณ์เสริมหรืออุปกรณ์ต่อพ่วงอื่นๆ อาจมีความเสี่ยงที่จะได้รับบาดเจ็บ ใช้ อุปกรณ์เสริมหรืออุปกรณ์ต่อพ่วงตามวัตถุประสงค์ที่ระบุไว้เท่านั้น

หากคุณต้องการทราบรายละเอียดเกี่ยวกับอุปกรณ์เสริมเหล่านี้ โปรดสอบถามศูนย์บริการ Makita ใกล้บ้านคุณ

- ดอกสว่าน
- ดอกไขควง
- แบตเตอรี่และเครื่องชาร์จของแท้แบบต่างๆ ของ Makita
- อะแดปเตอร์พื้นสภาพแบตเตอรี่อัดในมิติ
- กระเป๋าถือพลาสติก

หมายเหตุ:

- อุปกรณ์บางรายการอาจรวมอยู่ในชุดอุปกรณ์พื้นฐานของผลิตภัณฑ์ ซึ่งอาจแตกต่างกันไปในแต่ละประเทศ

Makita Corporation

Anjo, Aichi, Japan

www.makita.com

884821-373

TRD