



CW001G



EN	Cordless Cooler & Warmer Box	INSTRUCTION MANUAL	5
FR	Glacière & réchaud sans fil	MANUEL D'INSTRUCTION	14
DE	Akku-Kühl- und Warmhaltebox	GEBRAUCHSANLEITUNG	23
IT	Frigorifero e Scaldavivande portatile	MANUALE D'USO	32
NL	Draadloze Koeler en Warmerbox	GEBRUIKSAANWIJZING	41
ES	Caja Enfriadora & Térmica Inalámbrica	MANUAL DE INSTRUCCIONES	50
PT	Refrigerador e aquecedor a Bateria	MANUAL DE INSTRUÇÕES	59
DA	Ledningsfri køle- og opvarmningsboks	INSTRUKTIONSVEJLEDNING	68
EL	Ασύρματος Ψύκτης & Θερμαντήρας	ΕΓΧΕΙΡΙΔΙΟ ΟΔΗΓΙΩΝ	77
TR	Kablosuz Soğutma ve Isıtma Kutusu	TALİMAT KILAVUZU	86
SV	Sladdlös kylar- och värmarbox	BRUKSANVISNING	95
NO	Batteridrevet kjøle- og varmeboks	BRUKSANVISNING	104
FI	Kannettava kylmä- ja kuumalaukku	OHJEKIRJA	113
LV	Ar akumulatoru darbināms ledusskapis un sildītājs	INSTRUKCIJU ROKASGRĀMATA	122
LT	Belaidis kilnojamasis maisto šaldytuvas-šildytuvas	NAUDOJIMO INSTRUKCIJA	131
ET	Juhtmevaba jahutus- ja soojenduskast	KASUTUSJUHEND	140
PL	Akumulatorowa Chłodziarka/Podgrzewacz	INSTRUKCJA OBSŁUGI	149
HU	Vezeték nélküli hűtő-fűtő láda	HASZNÁLATI ÚTMUTATÓ	158
SK	Bezdrôtový chladiaci a ohrievací box	NÁVOD K POUŽITÍ	167
CS	Bezdrátový chladicí a ohřivací box	NÁVOD K POUŽITÍ	176
SL	Brezžični hladilna in grelna torba	NAVODILA ZA UPORABO	185
SQ	Kuti ngrohëse/fthohëse me bateri	MANUALI I UDHËZIMEVE	194
BG	Хладилна кутия с батерия и режим затопляне	ИНСТРУКЦИЯ ЗА УПОТРЕБА	203
HR	Bežični hladnjak i kutija za zagrijavanje	UPUTE ZA UPORABU	212
MK	Сандак за ладење / греење на батерии	ПРИРАЧНИК	221
SR	Бежична кутија за хлађење и загревање	ПРИРУЧНИК СА УПУТСТВИМА	230
RO	Ladă frigorifică portabilă cu funcție de răcire și încălzire	MANUAL CU INSTRUCȚIUNI	239
UK	Акумуляторний холодильник-нагрівач	ІНСТРУКЦІЯ З КОРИСТУВАННЯ	248
RU	Аккумуляторный холодильник с системой обогрева	РУКОВОДСТВО ПОЛЬЗОВАТЕЛЯ	257
KK	Сымсыз тоназыткыш/жылы бокс	ПАЙДАЛАНУ НҮСҚАУЛЫҒЫ	266
ZHTW	充電式攜帶型保溫保冷箱	使用說明書	275

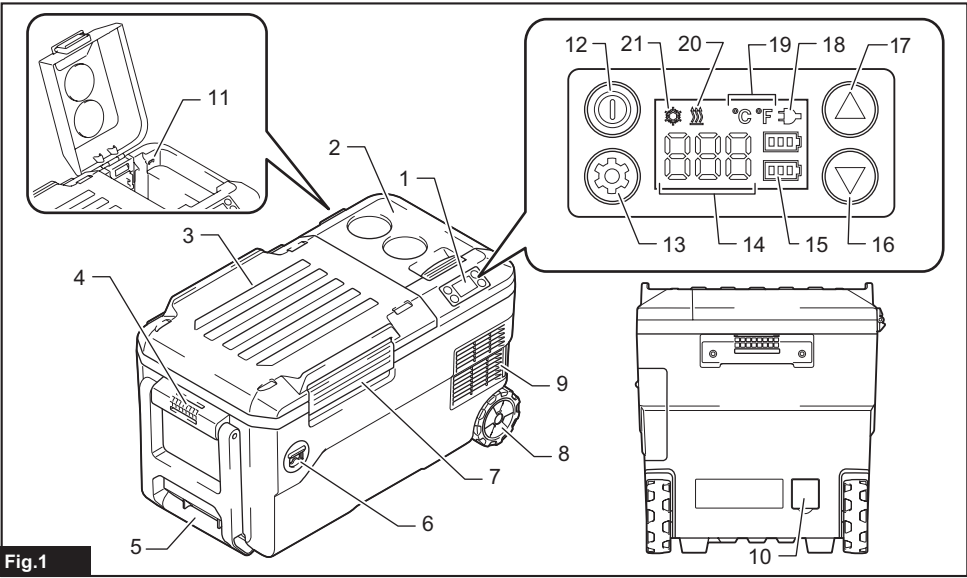


Fig.1

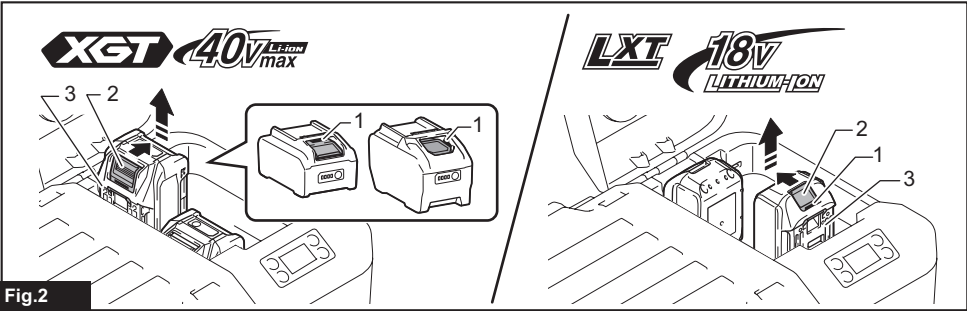


Fig.2

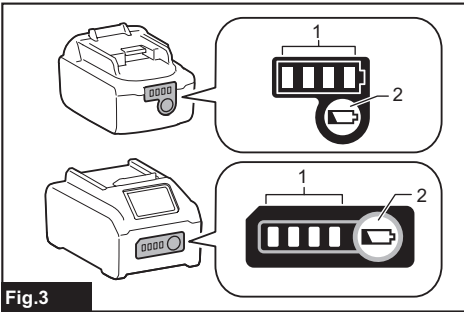
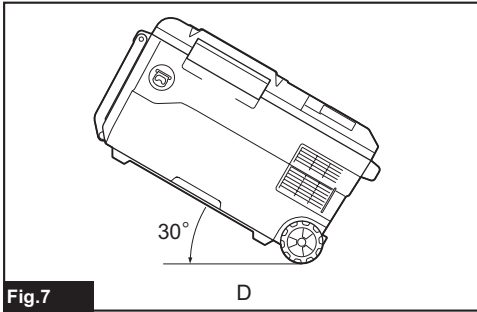
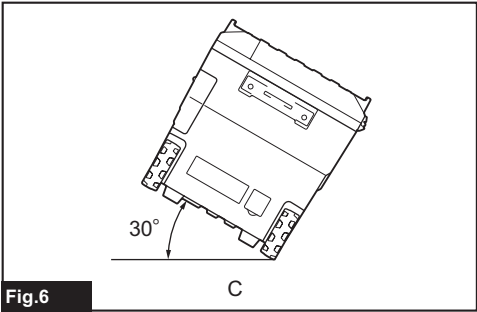
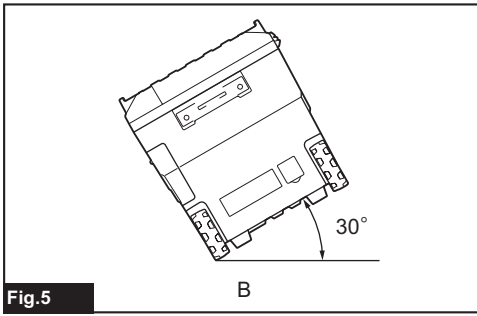
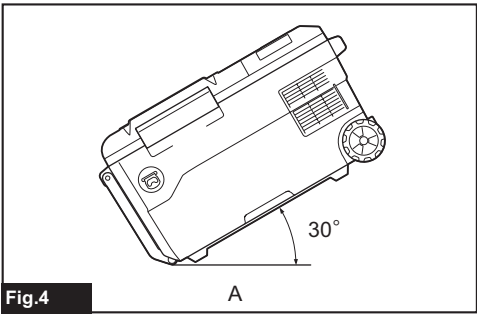
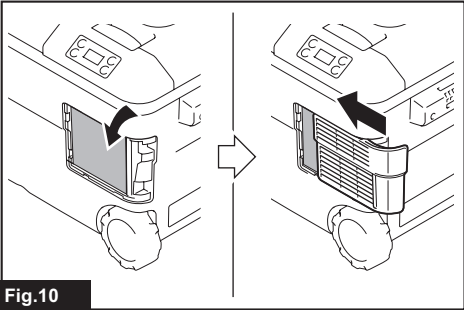
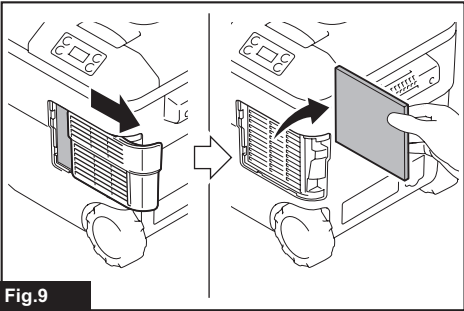
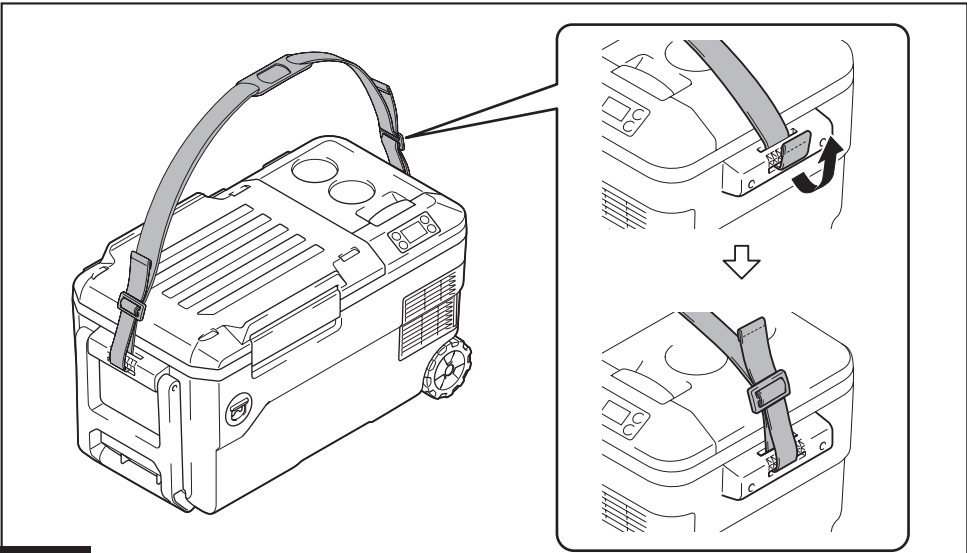


Fig.3





WARNING

This appliance can be used by children aged from 8 years and above and persons with reduced physical, sensory or mental capabilities or lack of experience and knowledge if they have been given supervision or instruction concerning use of the appliance in a safe way and understand the hazards involved. Children shall not play with the appliance. Cleaning and user maintenance shall not be made by children without supervision.

SPECIFICATIONS

Model:		CW001G
Capacity		20L
Input	Battery cartridge	D.C. 18V / D.C. 36V
	AC adaptor (Optional accessory)	Refer the indication on the AC adaptor. (Input voltage varies depending on the country.)
	Cigarette lighter adaptor	D.C. 12V / D.C. 24V
Anti-shock protection class		III
Climate type		SN / N / ST / T
Insulation material / Foaming material		Polyurethane foam / Cyclopentane (C ₅ H ₁₀)
Refrigerant		R-1234yf (26g)
Operating power		cooling power 90W, heating power 42W
Dimensions (L × W × H)	External dimensions	663mm × 341mm × 372mm
	Inside of the chamber	323mm × 240mm × 261mm
Net weight		16.1kg (with BL4050F×2) / 13.5kg (without battery)
Protection degree		IPX4 (only powered by battery pack)
Selectable control temperature	Cooling mode	-18°C, -15°C, -10°C, -5°C, 0°C, 5°C, 10°C (0°F, 5°F, 15°F, 25°F, 30°F, 40°F, 50°F)
	Heating mode	30°C, 35°C, 40°C, 45°C, 50°C, 55°C, 60°C (85°F, 95°F, 105°F, 115°F, 120°F, 130°F, 140°F)
USB power supply port		Type A / Output voltage D.C. 5V / Output current D.C. 2.4A

- Due to our continuing program of research and development, the specifications herein are subject to change without notice.
- Specifications may differ from country to country.

Applicable battery cartridge and charger

D.C.18 V Model	Battery cartridge	BL1815N / BL1820B / BL1830B / BL1840B / BL1850B / BL1860B
	Charger	DC18RC / DC18RD / DC18RE / DC18SD / DC18SE / DC18SF / DC18SH
D.C.36 V Model	Battery cartridge	BL4020 / BL4025 / BL4040 / BL4050F
	Charger	DC40RA / DC40RB / DC40RC

- Some of the battery cartridges and chargers listed above may not be available depending on your region of residence.

⚠WARNING: Only use the battery cartridges and chargers listed above. Use of any other battery cartridges and chargers may cause injury and/or fire.

Makita Europe N.V. Jan-Baptist Vinkstraat 2,
3070 Kortenberg, Belgium

Makita Corporation 3-11-8, Sumiyoshi-cho,
Anjo, Aichi 446-8502 Japan