

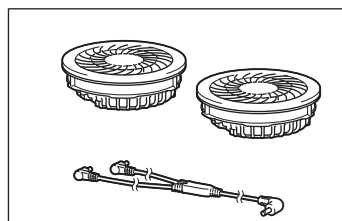
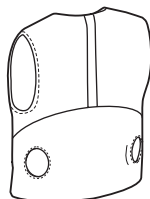
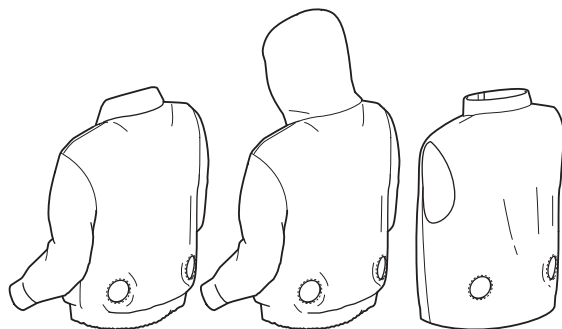


Cordless Fan Jacket

**DFJ212A / DFJ213A / DFJ214A /
DFJ216A / DFJ312A / DFJ416A**

Cordless Fan Vest

DFV210A / DFV214A



Read before use.

SPECIFICATIONS

Specifications of the jacket / vest

Type		Jacket						Vest	
Model		DFJ212A	DFJ213A	DFJ214A	DFJ216A	DFJ312A	DFJ416A	DFV210A	DFV214A
Material	Outer	Polyester 100%				Cotton 100%	Polyester 100%		
	Lining	Polyester 100%			-	Cotton 100%	Polyester 100%		
	Pocket	Polyester 100%				Cotton 100%	Polyester 100%		
	Shoulder pad	-					Nylon 100%	-	
Feature	Battery pocket	✓	✓	✓	✓	✓	✓	✓	-
	Hole for direct access to the pocket (under the lining)	-	-	-	-	-	-	-	✓
	Mesh pocket for ice pack	-	-	-	✓	-	-	-	-
	Hood	✓	-	-	-	-	-	-	-
	Shoulder pad	-	-	-	-	-	✓	-	-
	Detachable sleeve	-	-	-	-	✓	✓	-	-
	Light reflector	-	-	✓	-	-	-	-	-
Front buckle	-	-	-	-	-	-	-	✓	

Specifications of the battery holder (optional accessory)

Model	Battery holder for LXT battery cartridge	Battery holder for CXT battery cartridge
Rated voltage	D.C. 14.4 V D.C. 18 V	D.C. 10.8 V - 12 V max
Battery cartridge	BL1415N / BL1430B / BL1440 / BL1460B BL1815N / BL1820B / BL1830B / BL1840B / BL1850B / BL1860B	BL1016 / BL1021B / BL1041B
USB power supply port	D.C. 5 V, 2.4 A, Type A	

Specifications of the Battery BL1055B (optional accessory)

Rated voltage	D.C. 10.8 V
USB power supply port	D.C. 5 V, 1.5 A, Type C

- Due to our continuing program of research and development, the specifications herein are subject to change without notice.
- Specifications and battery cartridge may differ from country to country.
- Some of the battery cartridges listed above may not be available depending on your region of residence.

⚠ WARNING: Only use the battery cartridges listed above. Use of any other battery cartridges may cause injury and/or fire.

Operating time

















Unit: Hour

Air speed	Battery			
	BL1055B	BL1041B	BL1430B	BL1860B
4	6.0	4.0	4.5	10.0
3	9.5	6.5	7.0	16.0
2	18.0	12.0	13.5	29.5
1	40.0	27.5	31.0	68.0

- The operating times in the above table are a rough guideline. They may differ from actual operating times.
- Operating times may differ depending on battery type, charging status, and usage condition.

Symbols

Some of the following symbols which may be used for the equipment. Be sure that you understand their meaning before use.

	Read the instruction manual.
	Machine wash at below 30°C on the gentle cycle.
 	Machine wash at below 40°C on the gentle cycle.
	Machine wash in domestic or commercial machines on the gentle cycle.
 	Do not bleach.
  	Line dry in the shade.
	Do not wiring.
	Iron at low temperatures (not exceeding 110°C).
	Iron at medium temperatures (not exceeding 150°C).
	Do not iron.
	Do not dry clean.
	Do not tumble dry.



Ni-MH
Li-ion

Only for EU countries
Due to the presence of hazardous components in the equipment, waste electrical and electronic equipment, accumulators and batteries may have a negative impact on the environment and human health. Do not dispose of electrical and electronic appliances or batteries with household waste!

In accordance with the European Directive on waste electrical and electronic equipment and on accumulators and batteries and waste accumulators and batteries, as well as their adaptation to national law, waste electrical equipment, batteries and accumulators should be stored separately and delivered to a separate collection point for municipal waste, operating in accordance with the regulations on environmental protection.

This is indicated by the symbol of the crossed-out wheeled bin placed on the equipment.

Intended use

The fan jacket/vest is intended for cooling your body temperature.

SAFETY WARNINGS

⚠ WARNING: Read all safety warnings and all instructions. Failure to follow the warnings and instructions may result in electric shock, fire and/or serious injury.

Save all warnings and instructions for future reference.

1. **Never use the fan jacket when temperature reach more than 50°C (122°F). Also avoid use in high humidity.** Doing so may cause burns.
2. **Do not wear the jacket over bare skin.**
3. **Do not use the jacket while you are under the influence of drugs, alcohol or medication.**
4. **Do not sleep while wearing the fan jacket.** A steep decline of body temperature may harm your health.
5. **Children, handicapped persons, or anyone who is insensitive to temperature, for example, someone with poor blood circulation, should refrain from using the jacket.**

6. **This appliance is not intended for medical use in hospitals.**
7. **Do not use the jacket other than for its intended purpose.**
8. **If you sense anything unusual, switch off the jacket and remove the battery holder immediately.**
9. **If any abnormality is found, contact your local service center for repair.**
10. **Do not stamp on, throw or otherwise abuse the fan jacket.**
11. **Do not put your finger or a foreign object into the fan unit.**
12. **Do not blow compressed air toward the fan. Do not put small sticks into the fan unit.** Doing so may damage the fan and motor.
13. **Do not turn on the fan jacket unless you are wearing it.**
14. **Do not use the fan jacket in places where a fire or spark could be generated.** The fan unit may catch fire or spark and cause a fire or burns.
15. **Choose the appropriate fan speed in accordance with the usage environment for continuous use.**
16. **Do not wear any clothing over the fan jacket.**
17. **Keep the nameplate on the fan unit.** If it becomes unreadable or goes missing, contact your local service center for repair.
18. **Before washing, detach the fan unit and battery holder, remove the battery cartridge.** Wash the jacket part only.
19. **Do not leave the fan jacket in a place subject to high heat, such as a car sitting in the sun.** Doing so may cause plastic parts to melt and become damaged.
20. **For long time storage, remove the battery holder and battery cartridge from the jacket, and remove the battery cartridge from the battery holder.**
21. **When storing, keep the fan jacket, fan units, battery holder, and battery cartridge out of reach of children.**
22. **Do not use the fan jacket when performing welding operation or operations using a grinder.** Spark entering the fan unit may cause fire.
23. **Keep your hair and clothing away from the fan unit.** They can be caught in moving parts of the fan unit.
5. **Do not leave any cord disconnected while the battery power is supplied.** Small children may put the live plug in their mouth and cause injury.
6. **Do not use the supplied cord with appliances other than the fan unit.**
7. **Do not insert nails, wires, or other items into the USB power supply port.** Doing so may cause short circuit, which can cause smoke or a fire.
8. **Do not connect the power source to the USB port.** The USB port is only intended for charging lower voltage devices. **Always place the cover over the USB port when not charging a lower voltage device.** Otherwise there is risk of fire.
9. **Prevent unintentional starting.** Ensure the switch is in the off-position before connecting to battery cartridge, picking up or carrying the appliance. Carrying the appliance with your finger on the switch or energizing appliance that have the switch on invites accidents.
10. **Disconnect battery cartridge from the appliance or place the switch in the locked or off position before making any adjustments, changing accessories, or storing the appliance.** Such preventive safety measures reduce the risk of starting the appliance accidentally.
11. **Recharge only with the charger specified by the manufacturer.** A charger that is suitable for one type of battery pack may create a risk of fire when used with another battery pack.
12. **Only use with specifically designated batteries.** Use of any other battery may create a risk of injury and fire.
13. **When battery pack is not in use, keep it away from other metal objects, like paper clips, coins, keys, nails, screws or other small metal objects, that can make a connection from one terminal to another.** Shorting the battery terminals together may cause burns or a fire.
14. **Under abusive conditions, liquid may be ejected from the battery; avoid contact.** If contact accidentally occurs, flush with water. If liquid contacts eyes, additionally seek medical help. Liquid ejected from the battery may cause irritation or burns.
15. **Do not use a battery pack or the fan unit that is damaged or modified.** Damaged or modified batteries may exhibit unpredictable behaviour resulting in fire, explosion or risk of injury.
16. **Do not expose a battery pack or the fan unit to fire or excessive temperature.** Exposure to fire or temperature above 130 °C may cause explosion.

Electrical safety

1. **Do not expose the jacket to rain or wet conditions. Keep water away from electrical parts.** Water entering the jacket may increase the risk of an electric shock.
2. **Do not handle the cord and battery with wet or greasy hands.**
3. **Do not use the fan jacket when the cord or plug is damaged.**
4. **Do not abuse the cord. Do not use the cord for carrying, pulling or unplugging the jacket.** Keep the cord away from heat, oil, and sharp edges.
17. **Follow all charging instructions and do not charge the battery pack or the fan unit outside the temperature range specified in the instructions.** Charging improperly or at temperatures outside the specified range may damage the battery and increase the risk of fire.
18. **Have servicing performed by a qualified repair person using only identical replacement parts.** This will ensure that the safety of the product is maintained.
19. **Do not modify or attempt to repair the appliance or the battery pack except as indicated in the instructions for use and care.**

Important safety instructions for battery cartridge

1. Before using battery cartridge, read all instructions and cautionary markings on (1) battery charger, (2) battery, and (3) product using battery.
2. Do not disassemble or tamper with the battery cartridge. It may result in a fire, excessive heat, or explosion.
3. If operating time has become excessively shorter, stop operating immediately. It may result in a risk of overheating, possible burns and even an explosion.
4. If electrolyte gets into your eyes, rinse them out with clear water and seek medical attention right away. It may result in loss of your eyesight.
5. Do not short the battery cartridge:
 - (1) Do not touch the terminals with any conductive material.
 - (2) Avoid storing battery cartridge in a container with other metal objects such as nails, coins, etc.
 - (3) Do not expose battery cartridge to water or rain.

A battery short can cause a large current flow, overheating, possible burns and even a breakdown.

6. Do not store and use the tool and battery cartridge in locations where the temperature may reach or exceed 50 °C (122 °F).
7. Do not incinerate the battery cartridge even if it is severely damaged or is completely worn out. The battery cartridge can explode in a fire.
8. Do not nail, cut, crush, throw, drop the battery cartridge, or hit against a hard object to the battery cartridge. Such conduct may result in a fire, excessive heat, or explosion.
9. Do not use a damaged battery.
10. The contained lithium-ion batteries are subject to the Dangerous Goods Legislation requirements.

For commercial transports e.g. by third parties, forwarding agents, special requirement on packaging and labeling must be observed.
For preparation of the item being shipped, consulting an expert for hazardous material is required. Please also observe possibly more detailed national regulations.
Tape or mask off open contacts and pack up the battery in such a manner that it cannot move around in the packaging.
11. When disposing the battery cartridge, remove it from the tool and dispose of it in a safe place. Follow your local regulations relating to disposal of battery.
12. Use the batteries only with the products specified by Makita. Installing the batteries to non-compliant products may result in a fire, excessive heat, explosion, or leak of electrolyte.
13. If the tool is not used for a long period of time, the battery must be removed from the tool.

14. During and after use, the battery cartridge may take on heat which can cause burns or low temperature burns. Pay attention to the handling of hot battery cartridges.
15. Do not touch the terminal of the tool immediately after use as it may get hot enough to cause burns.
16. Do not allow chips, dust, or soil stuck into the terminals, holes, and grooves of the battery cartridge. It may cause heating, catching fire, burst and malfunction of the tool or battery cartridge, resulting in burns or personal injury.
17. Unless the tool supports the use near high-voltage electrical power lines, do not use the battery cartridge near high-voltage electrical power lines. It may result in a malfunction or breakdown of the tool or battery cartridge.
18. Keep the battery away from children.

SAVE THESE INSTRUCTIONS.

CAUTION: Only use genuine Makita batteries. Use of non-genuine Makita batteries, or batteries that have been altered, may result in the battery bursting causing fires, personal injury and damage. It will also void the Makita warranty for the Makita tool and charger.

Tips for maintaining maximum battery life

1. Charge the battery cartridge before completely discharged. Always stop tool operation and charge the battery cartridge when you notice less tool power.
2. Never recharge a fully charged battery cartridge. Overcharging shortens the battery service life.
3. Charge the battery cartridge with room temperature at 10 °C - 40 °C (50 °F - 104 °F). Let a hot battery cartridge cool down before charging it.
4. When not using the battery cartridge, remove it from the tool or the charger.
5. Charge the battery cartridge if you do not use it for a long period (more than six months).

PARTS DESCRIPTION

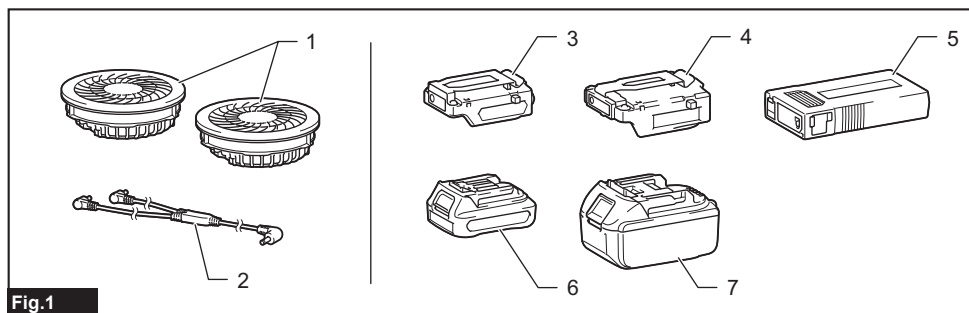


Fig. 1

1	Fan unit	2	Power cable	3	Battery holder for CXT battery cartridge *	4	Battery holder for LXT battery cartridge *
5	Battery BL1055B * (Country specific)	6	CXT battery cartridge * (10.8 V - 12 V max)	7	LXT battery cartridge * (14.4 V / 18 V max)	-	-

* Optional accessory

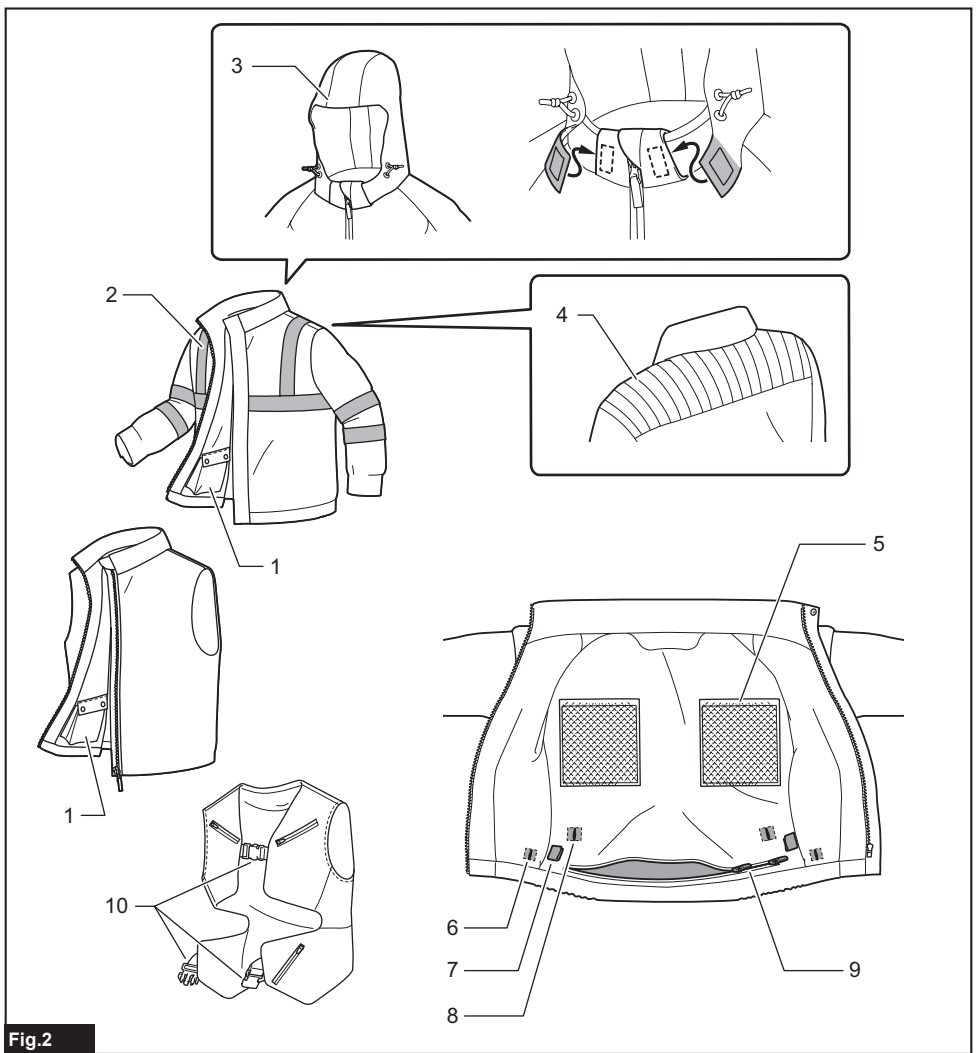


Fig.2

1	Battery pocket	2	Light reflector	3	Hood	4	Shoulder pad
5	Mesh pocket for ice pack	6	Cable hole in the pocket (under the lining)	7	Cable holder	8	Cable hole in the lining
9	Zip fastener (for fan unit access)	10	Front buckle	-	-	-	-

NOTE: The features of the jacket/vest vary depending on the model. Refer to the section for the specifications for the features of your jacket/vest.

INSTALLATION

Charging the battery

Battery cartridges used with battery holder

Refer to the instruction manual of the charger for how to charge the battery.

Battery BL1055B

Open the cover on the USB port. Connect the battery and AC Power Adapter ADP07 (not included) or other general USB charger using the USB cable supplied with the battery. The recommended output spec for general USB charger is 5 V / 2.4 A or lower. After that, plug the AC Power Adapter ADP07 to the mains. When the charging is finished, all battery capacity indicator will light up and then turns off after a certain period. Unplug the AC Power Adapter and disconnect the USB cable, and then close the cover.

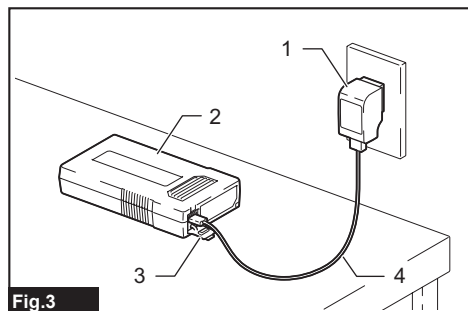


Fig.3

- ▶ 1. AC Power Adapter ADP07 2. Battery BL1055B
- 3. Cover 4. USB cable

Meaning of the indicator lamp

Indicator lamps			Remaining capacity
Lighted	Off	Blinking	
■	□	▧	100% (The charging is finished)
■ ■ ■	□ □ □		
(The lamps go off after a certain period.)			
■ ■ ■	■ ■ ▧		50% to 100%
■ ■ ▧	■ ▧ □		25% to 50%
■ ▧ □	□ □ □		0% to 25%

Installing or removing the battery cartridge

Only when using the battery cartridge used with battery holder

CAUTION: Always switch off the device before installing or removing the battery cartridge.

CAUTION: Hold the battery holder and the battery cartridge firmly when installing or removing the battery cartridge. Failure to hold the battery holder and the battery cartridge firmly may cause them to slip out of your hands and result in damage to the battery holder and battery cartridge and/or a personal injury.

To install the battery cartridge, align the tongue on the battery cartridge with the groove in the housing and slip it into place. Insert it all the way until it locks in place with a little click. If you can see the red indicator as shown in the figure, it is not locked completely.

To remove the battery cartridge, slide it from the battery holder while pressing the button on the front of the cartridge.

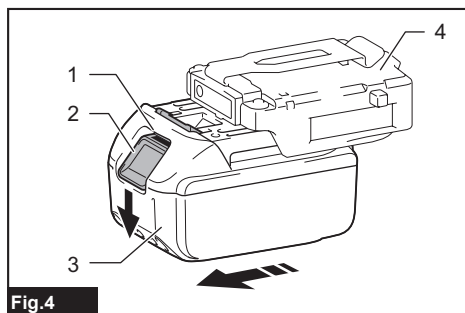


Fig.4

- ▶ 1. Red indicator 2. Button 3. Battery cartridge
- 4. Battery holder

CAUTION: Always install the battery cartridge fully until the red indicator cannot be seen. Otherwise the battery cartridge may accidentally fall out of the battery holder, causing injury to you or someone around you.

CAUTION: Do not forcibly install the battery cartridge. If the battery cartridge does not slide in easily, it is not being inserted correctly.

Attaching the battery holder

Only when using the battery cartridge used with battery holder

You can hang the battery holder on your waist belt. To prevent the battery holder from dropping accidentally, attach a strap using the strap hole and secure it.

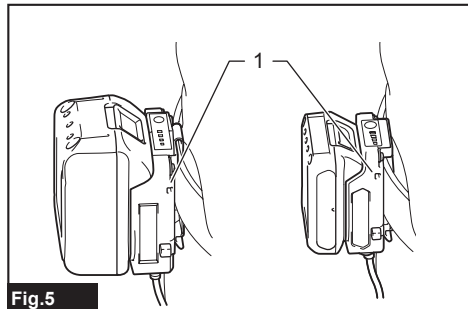


Fig.5

▶ 1. Strap hole

The battery holder has an anti-drop function. When removing the battery holder from the belt, pull up the battery holder while pressing the unlock button.

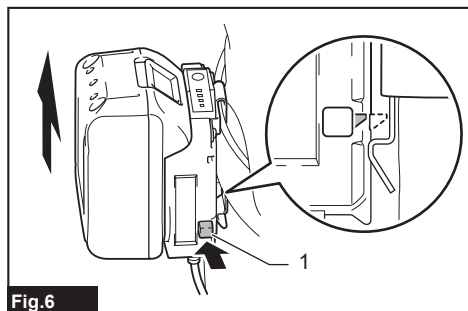


Fig.6

▶ 1. Unlock button

Installing or removing the fan unit

1. Open the zip fastener inside the jacket. (Skip this step if your jacket/vest does not have the lining)

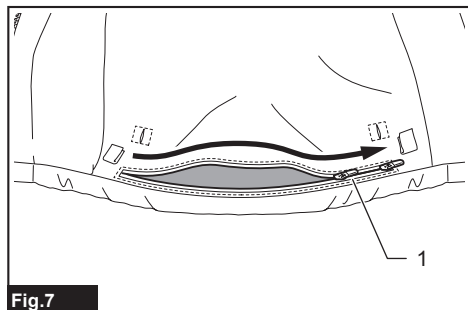


Fig.7

▶ 1. Zip fastener

2. Turn the ring counterclockwise and remove it from the fan unit.

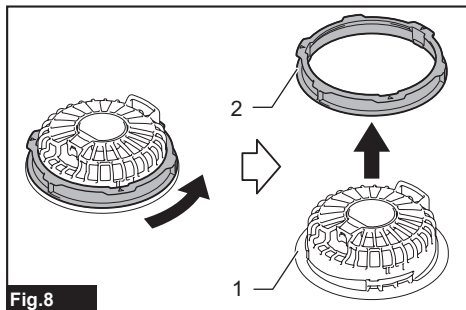


Fig.8

▶ 1. Fan unit 2. Ring

3. From the outside of the jacket/vest, insert the head of the fan unit into the hole in the jacket/vest.

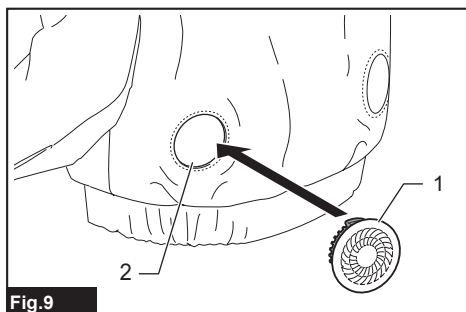


Fig.9

▶ 1. Fan unit 2. Hole

4. From the inside of the jacket/vest, place the fan unit so that the loop on the fan unit comes closest to the strip on the jacket/vest.

(Do not fasten the snap button on the strip at this step.)

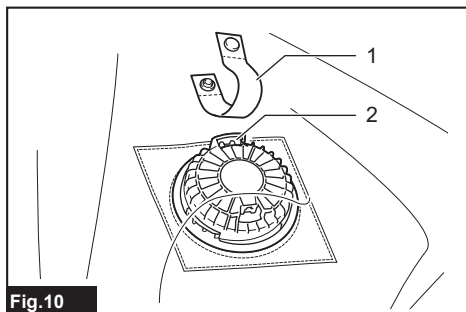


Fig.10

▶ 1. Strip 2. Loop

5. From the inside of the jacket/vest, place the ring onto the fan unit and turn it clockwise until the triangle marking is aligned with "II" marking.

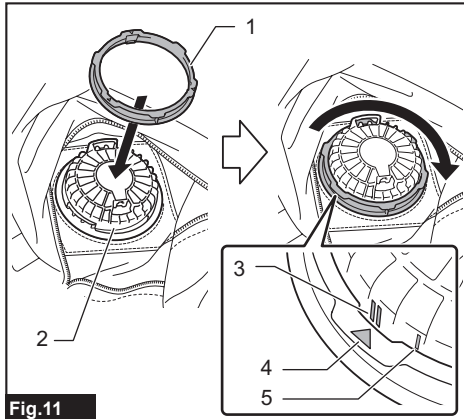


Fig.11

► 1. Ring 2. Fan unit 3. "II" marking 4. Triangle marking 5. "I" marking

NOTE: When turning the ring, be careful not to move the fan unit position. Keep the position of the loop on the fan unit closest to the strip.

NOTE: Put the ring parallel to the fan unit. If not, you may not be able to turn the ring smoothly.

NOTE: When you use filter set (optional accessory), turn the ring until the triangle marking is aligned with "I" marking. (the ring cannot be turned up to "II" marking)

6. Pass the strip through the loop on the fan unit and fasten the snap button.

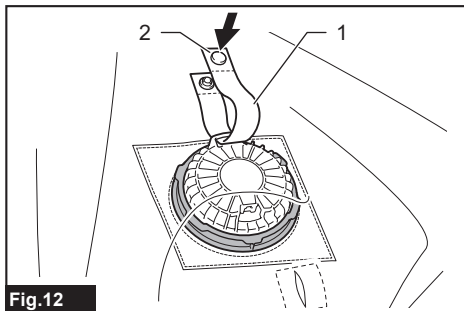


Fig.12

► 1. Strip 2. Snap button

CAUTION: Always use the strip and snap button to secure the fan unit to the jacket/vest. If the fan unit falls, it may cause an injury, or damage to the fan unit.

7. Attach the other fan unit to the jacket/vest in the same way.

8. Connect the power cable to the fan units.

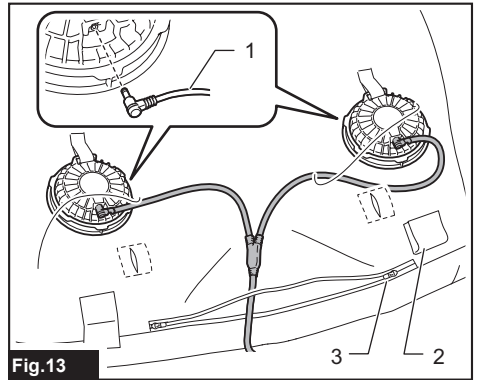


Fig.13

► 1. Power cable 2. Cable holder 3. Zip fastener

NOTE: The zip fastener is not provided with the jacket/vest without lining.

NOTICE: Always connect the power cable to both of the fan units. The fan does not operate if the power cable is connected to one fan unit only.

9. Follow either instructions below depending on how to store the battery when using the fan jacket/vest:

When storing the battery in the battery pocket or on your belt

Pass the end of the power cable out through the hole in the jacket's/vest's lining as shown in the figure (skip this step if your jacket/vest does not have the lining). Support the cable using the cable holder.

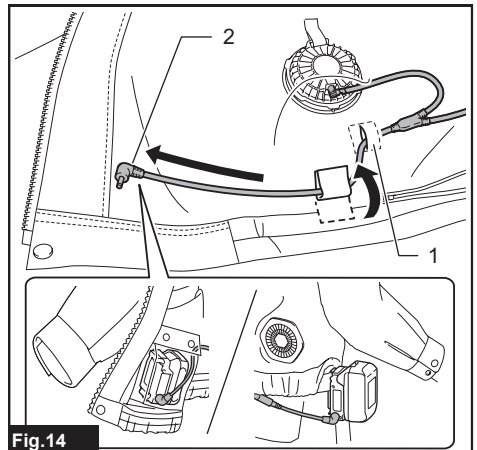


Fig.14

► 1. Hole in the lining 2. Power cable

When storing the battery in the jacket's/vest's pocket

(Only for the jackets/vests with the hole for direct access to the pocket)

From the inside of the jacket/vest, pass the end of the power cable out through the hole in the jacket's/vest's pocket as shown in the figure.

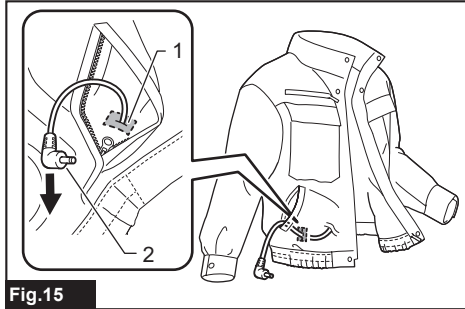


Fig.15

► 1. Hole in the pocket 2. Power cable

10. Connect the power cable to the battery holder / Battery BL1055B.

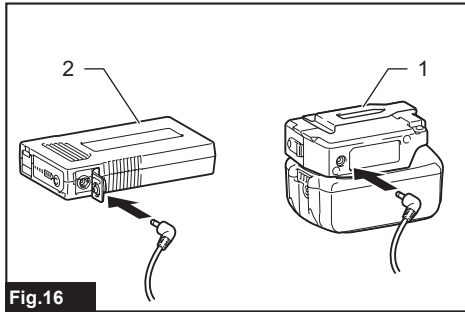


Fig.16

► 1. Battery holder 2. Battery BL1055B

11. Close the zip fastener.

(Skip this step if your jacket/vest does not have the lining)

CAUTION: When using the fan jacket/vest, securely store the battery in the pocket or hook it on your belt to prevent it from falling.

Follow the installation procedure in reverse when removing it.

Attaching the filter set

Optional accessory

The filter set protects the fan unit from dust and powder. We recommend that you use the filter set in a dusty or powdery work place.

Install the filter attachment between the fan unit and the ring. Turn the ring clockwise until the triangle marking is aligned with " I " marking. After that, attach the filter onto the filter attachment.

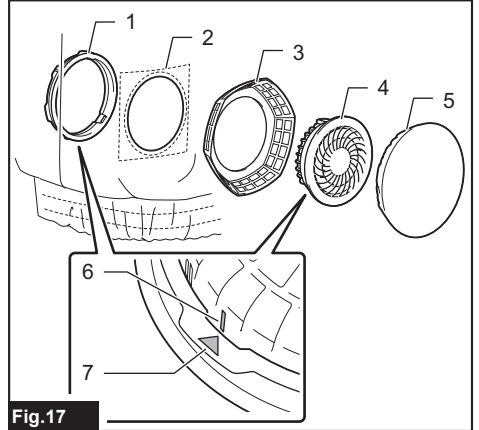


Fig.17

► 1. Ring 2. Hole in the jacket/vest 3. Filter attachment 4. Fan unit 5. Filter 6. " I " marking 7. Triangle marking

NOTICE: Make sure that the filter fully covers the filter attachment. For better protection against dust and powder, tuck the skirt of the filter between the jacket/vest and filter attachment.

FUNCTIONAL DESCRIPTION

NOTICE: The fan jacket/vest is effective when the humidity and temperature of intake air are lower than those of the body surface. The fan jacket/vest may not be effective if the air temperature and/or humidity are higher than those inside the jacket/vest.

Power level indicator

Current power level is displayed in the power level indicator.

Battery holder

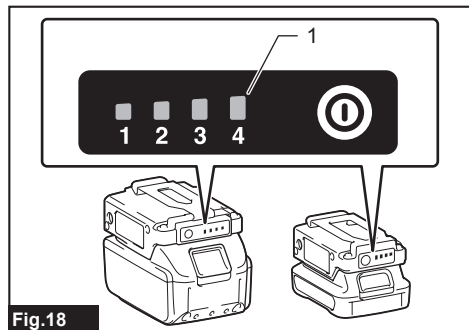


Fig.18

► 1. Power level indicator

Battery BL1055B

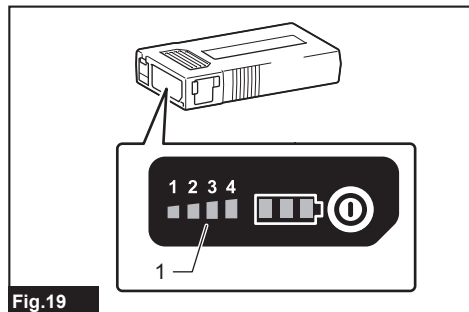


Fig.19

► 1. Power level indicator

NOTICE: For Battery BL1055B, the lamp No.1 and No.4 will blink alternately if there is abnormality in the connection between the battery and fan unit.

Indicating the remaining battery capacity

NOTE: Depending on the conditions of use and the ambient temperature, the indication may differ slightly from the actual capacity.

Only when using the battery cartridge (with the indicator) used with battery holder

Press the check button. The indicator lamps light up for a few seconds.

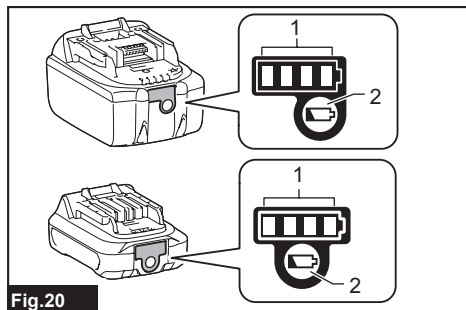


Fig.20

► 1. Indicator lamp 2. Check button

Meaning of the indicator lamp

Indicator lamps			Remaining capacity
Lighted	Off	Blinking	
■ ■ ■ ■			75% to 100%
■ ■ ■ □			50% to 75%
■ ■ □ □			25% to 50%
■ □ □ □			Less than 25%
▣ □ □ □			Charge the battery.
(For LXT batteries only)			
■ ■ □ □			The battery may have malfunctioned.
□ □ ■ ■			
(For LXT batteries only)			

NOTE: For LXT batteries only:

The first (far left) indicator lamp will blink when the battery protection system works.

Battery BL1055B

While the battery BL1055B is unplugged, press the power button. The battery capacity indicator light up for a few seconds.

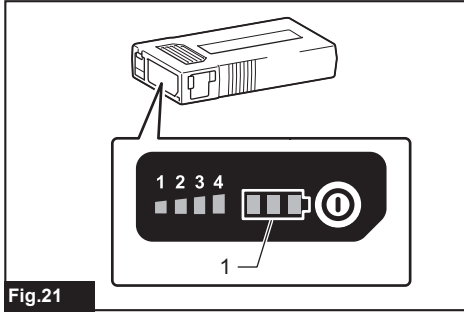


Fig.21

► 1. Battery capacity indicator

Meaning of the indicator lamp

Indicator lamps			Remaining capacity
Lighted	Off	Blinking	
■ ■ ■	□ □ □	□ □ □	50% to 100%
■ ■ □	□ □ □	□ □ □	25% to 50%
■ □ □	□ □ □	□ □ □	10% to 25%
■ □ □	□ □ □	□ □ □	Less than 10%
■ □ □	□ □ □	■ □ □	Battery abnormality

Battery protection system

The device is equipped with a battery protection system. This system automatically cuts off power to the motor to extend battery life.

If the remaining battery capacity is too low, the device will not operate. When you turn the device on, the motor will run again, but stops soon. In this situation, remove and recharge the battery cartridge.

Air flow

Air flow inside the jacket is shown below.

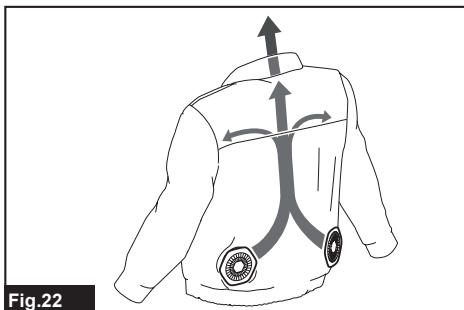


Fig.22

For the jacket with the hood, wear the hood over your helmet. The air from the fan goes through the helmet and cools your head.

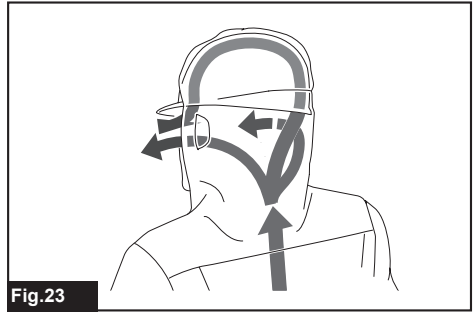


Fig.23

Battery pocket

NOTE: Some jacket/vest does not have the battery pocket. Refer to the section for the specifications for the features of your jacket/vest.

Use the battery pocket for storing the battery or the holder (with battery) inside the jacket/vest.

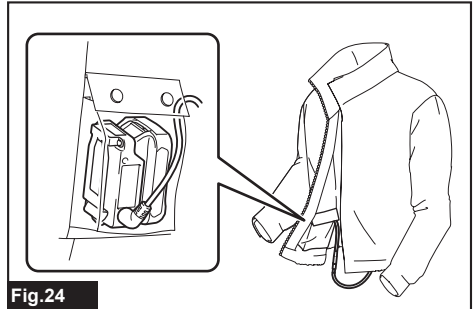


Fig.24

CAUTION: Always fasten the snap buttons when the battery is stored in the pocket.

Mesh pocket

NOTE: Some jacket/vest does not have the mesh pocket. Refer to the section for the specifications for the features of your jacket/vest.

Use mesh pockets on the back of the jacket/vest for storing ice packs.

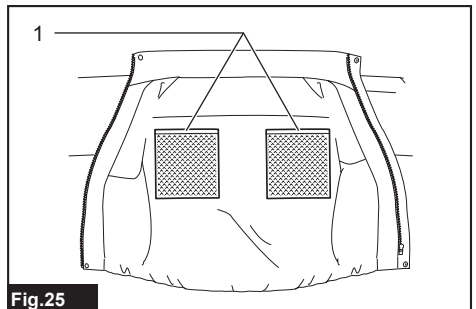


Fig.25

► 1. Mesh pocket

Front buckle

NOTE: Some jacket/vest does not have the front buckle. Refer to the section for the specifications for the features of your jacket/vest.

Adjust the belt length according to your size. If the belt droops down, pass it through the belt loop(s) as shown in the figure.

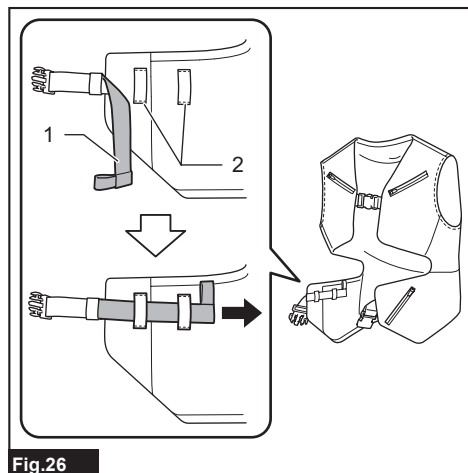


Fig.26

► 1. Belt 2. Belt loop

Connecting USB devices

CAUTION: Connect only devices that are compatible with the USB power supply port. Not doing so may cause a malfunction of the battery holder.

NOTICE: Before connecting a USB device, always back up the data on the USB device. Not doing so may cause a loss of your data.

NOTICE: The battery holder and Battery BL1055B may not supply power to some USB devices.

NOTICE: When not using or after charging, remove the USB cable and close the cover.

NOTE: The actual output current varies depending on the USB device to be connected.

NOTE: Battery power is consumed while the power button is turned on. Always turn off the switch when not in use.

NOTE: When charging multiple USB devices in succession, wait about 10 seconds after charging of the previous device has completed before beginning to charge the next device.

The battery holder (with the battery) and Battery BL1055B can work as an external power supply for USB devices.

1. Open the cover and connect a USB cable (not included) to the USB port. Then connect the other end of the cable to the device.
2. Start charging:
 - When using battery holder (with the battery), press and hold the power button until the power level indicator lights up. The battery supplies DC 5 V, 2.4 A.

Battery holder (with battery)

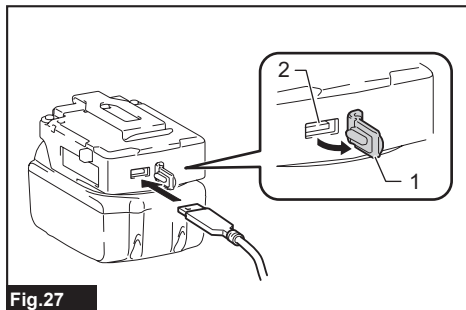


Fig.27

► 1. Cover 2. USB port

- When using Battery BL1055B, press the power button. The battery supplies DC 5 V, 1.5 A.

Battery BL1055B

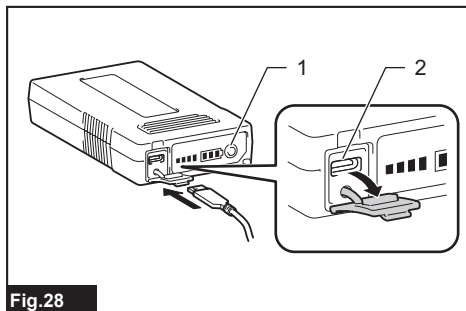


Fig.28

► 1. Power button 2. USB port

OPERATION

To turn on the fan, press and hold the power button. The fan starts at the maximum power level 4. Each time you press the power button, the power level changes from 4 to 1, and returns to 4. The power level indicator shows the current setting. To turn off, press and hold the power button again.

Battery holder

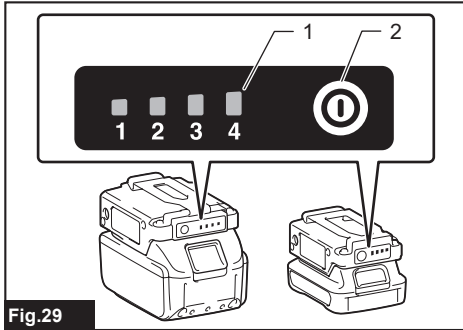


Fig.29

- 1. Power level indicator 2. Power button

Battery BL1055B

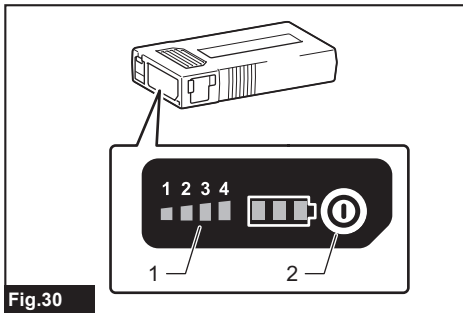


Fig.30

- 1. Power level indicator 2. Power button

MAINTENANCE

CAUTION: Always be sure that the jacket is switched off and the battery cartridge or battery BL1055B is removed before attempting to perform inspections or maintenance.

CAUTION: If the jacket/vest does not switch on or any fault is found with a fully charged battery cartridge, clean the terminals of the battery holder and the battery cartridge. If the jacket still does not work properly, stop using the jacket/vest and contact our authorized service center.

NOTICE: Never use gasoline, benzine, thinner, alcohol or the like. Discoloration, deformation or cracks may result.

To maintain product SAFETY and RELIABILITY, repairs, any other maintenance or adjustment should be performed by Makita Authorized or Factory Service Centers, always using Makita replacement parts.

Cleaning the fan unit

Wipe off dirt, dust, oil, grease .etc, with clean dry cloth. To clean the fan blade, remove the ring and unhook the housing from the cover using slotted screwdriver or similar. There are three hooks on the housing. Unhook them little by little in rotation so as not to break the hooks.

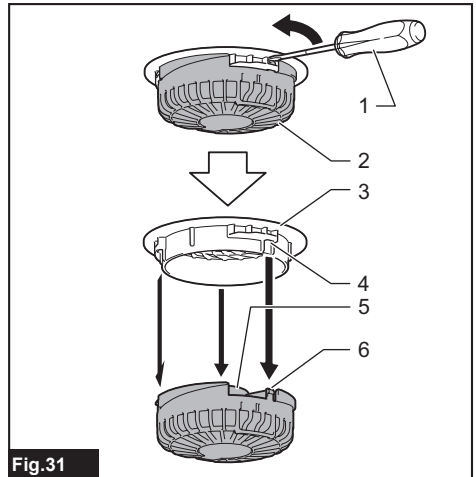


Fig.31

- 1. Slotted screwdriver 2. Housing 3. Cover 4. Hole 5. Fan blade 6. Hook

NOTICE: Do not remove the fan blade from the housing.

NOTICE: Do not wash the fan unit with water.

Be sure to attach the cover after cleaning the fan blade. Place the cover onto the housing as shown in the figure (note the direction of the logo on the cover and the loop on the housing). Align the hooks with the holes and then snap it on.

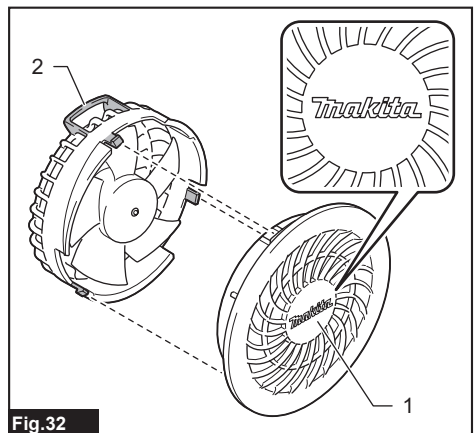


Fig.32

- 1. Logo on the cover 2. Loop on the housing

Cleaning the jacket/vest

- Detach the fan unit(s) and battery or battery holder from the jacket/vest before washing.
- Follow the instructions on the tag.
- Cotton products may shrink when washed.
- Do not wash the jacket/vest with other clothes. Doing so may cause color fading or color transfer.
- Use a laundry net when using a washing machine.
- Do not use the fabric softener.
- Use only neutral detergent.
- After washing, take out the jacket/vest from washing machine at once.
- Be sure to close the zip fastener before washing.

For the jacket with light reflector

- The performance of light reflector parts may be weakened by washing.
- Machine wash in gentle cycle (The number of times for washing is up to 5 times.)
- The number of times for washing is not the only factor to decide the lifetime of the jacket.
- The life of the jacket changes by how to use, how to care and store state.
- If the light reflector parts or clothes have been deteriorated, replace to a new jacket.

NOTE: The features of the jacket/vest vary depending on the model. Refer to the section for the specifications for the features of your jacket/vest.

OPTIONAL ACCESSORIES

CAUTION: These accessories or attachments are recommended for use with your Makita tool specified in this manual. The use of any other accessories or attachments might present a risk of injury to persons. Only use accessory or attachment for its stated purpose.

If you need any assistance for more details regarding these accessories, ask your local Makita Service Center.

- Filter set
- Battery BL1055B
- Battery holder
- Adapter cable for fan jacket/vest
- Adapter cable for heated jacket/vest/blanket
- Makita genuine battery and charger

NOTE: Some items in the list may be included in the tool package as standard accessories. They may differ from country to country.

Makita Europe N.V. Jan-Baptist Vinkstraat 2,
3070 Kortenberg, Belgium

Makita Corporation 3-11-8, Sumiyoshi-cho,
Anjo, Aichi 446-8502 Japan

www.makita.com

885877A228
EN
20220408