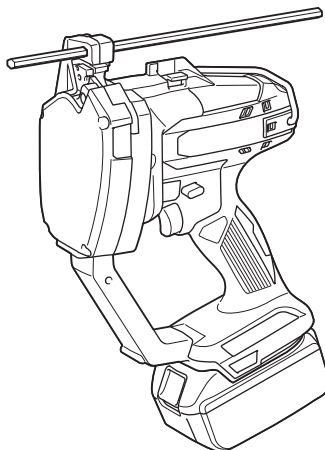


INSTRUCTION MANUAL



# Cordless Threaded Rod Cutter

## DSC102



Read before use.

# SPECIFICATIONS

Model:		DSC102
Cutting capacities	Mild steel	W3/8, W5/16, W1/4, 3/8-16UNC, 5/16-18UNC, 1/4-20UNC, M10, M8, M6
	Stainless steel	W3/8, 5/16-18UNC, M8, M6
Overall length		199 mm
Rated voltage		D.C. 18 V D.C. 14.4 V
Net weight		2.8 - 3.2 kg

- Due to our continuing program of research and development, the specifications herein are subject to change without notice.
- Specifications may differ from country to country.
- The weight may differ depending on the attachment(s), including the battery cartridge. The lightest and heaviest combination, according to EPTA-Procedure 01/2014, are shown in the table.

## Applicable battery cartridge and charger

Battery cartridge	D.C. 14.4 V Model	BL1415N / BL1430 / BL1430B / BL1440 / BL1450 / BL1460B
	D.C. 18 V Model	BL1815N / BL1820 / BL1820B / BL1830 / BL1830B / BL1840 / BL1840B / BL1850 / BL1850B / BL1860B
Charger		DC18RC / DC18RD / DC18RE / DC18SD / DC18SE / DC18SF

- Some of the battery cartridges and chargers listed above may not be available depending on your region of residence.

**⚠ WARNING: Only use the battery cartridges and chargers listed above.** Use of any other battery cartridges and chargers may cause injury and/or fire.

## Symbols

The following shows the symbols used for the equipment. Be sure that you understand their meaning before use.



Read instruction manual.



Wear safety glasses.



Do not touch the cutting dice during operation.



Pay attention to a cut threaded rod.



Do not close your face to the tool during operation.



Only for EU countries  
Do not dispose of electric equipment or battery pack together with household waste material!  
In observance of the European Directives, on Waste Electric and Electronic Equipment and Batteries and Accumulators and Waste Batteries and Accumulators and their implementation in accordance with national laws, electric equipment and batteries and battery pack(s) that have reached the end of their life must be collected separately and returned to an environmentally compatible recycling facility.

## Intended use

The tool is intended for cutting threaded rods.

## Noise

The typical A-weighted noise level determined according to EN62841-2-8:

Sound pressure level ( $L_{pA}$ ): 71 dB(A)

Uncertainty (K): 3 dB(A)

The noise level under working may exceed 80 dB (A).

**NOTE:** The declared noise emission value(s) has been measured in accordance with a standard test method and may be used for comparing one tool with another.

**NOTE:** The declared noise emission value(s) may also be used in a preliminary assessment of exposure.

**⚠ WARNING: Wear ear protection.**

**⚠ WARNING: The noise emission during actual use of the power tool can differ from the declared value(s) depending on the ways in which the tool is used especially what kind of workpiece is processed.**

**⚠ WARNING: Be sure to identify safety measures to protect the operator that are based on an estimation of exposure in the actual conditions of use (taking account of all parts of the operating cycle such as the times when the tool is switched off and when it is running idle in addition to the trigger time).**

## Vibration

The vibration total value (tri-axial vector sum) determined according to EN62841-2-8:

Work mode: cutting threaded stainless steel rod (rod size W3/8)

Vibration emission ( $a_v$ ): 2.5 m/s<sup>2</sup> or less

Uncertainty (K): 1.5 m/s<sup>2</sup>

**NOTE:** The declared vibration total value(s) has been measured in accordance with a standard test method and may be used for comparing one tool with another.

**NOTE:** The declared vibration total value(s) may also be used in a preliminary assessment of exposure.

**⚠WARNING:** The vibration emission during actual use of the power tool can differ from the declared value(s) depending on the ways in which the tool is used especially what kind of workpiece is processed.

**⚠WARNING:** Be sure to identify safety measures to protect the operator that are based on an estimation of exposure in the actual conditions of use (taking account of all parts of the operating cycle such as the times when the tool is switched off and when it is running idle in addition to the trigger time).

## EC Declaration of Conformity

### For European countries only

The EC declaration of conformity is included as Annex A to this instruction manual.

## SAFETY WARNINGS

### General power tool safety warnings

**⚠WARNING:** Read all safety warnings, instructions, illustrations and specifications provided with this power tool. Failure to follow all instructions listed below may result in electric shock, fire and/or serious injury.

### Save all warnings and instructions for future reference.

The term "power tool" in the warnings refers to your mains-operated (corded) power tool or battery-operated (cordless) power tool.

#### Work area safety

1. **Keep work area clean and well lit.** Cluttered or dark areas invite accidents.
2. **Do not operate power tools in explosive atmospheres, such as in the presence of flammable liquids, gases or dust.** Power tools create sparks which may ignite the dust or fumes.
3. **Keep children and bystanders away while operating a power tool.** Distractions can cause you to lose control.

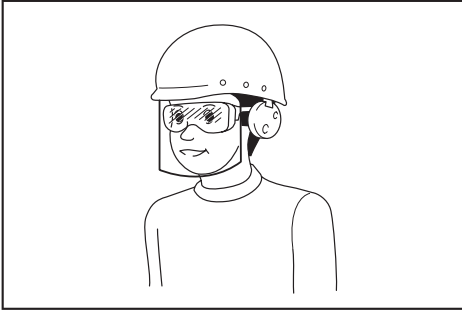
#### Electrical safety

1. **Power tool plugs must match the outlet. Never modify the plug in any way. Do not use any adapter plugs with earthed (grounded) power tools.** Unmodified plugs and matching outlets will reduce risk of electric shock.
2. **Avoid body contact with earthed or grounded surfaces, such as pipes, radiators, ranges and refrigerators.** There is an increased risk of electric shock if your body is earthed or grounded.
3. **Do not expose power tools to rain or wet conditions.** Water entering a power tool will increase the risk of electric shock.
4. **Do not abuse the cord. Never use the cord for carrying, pulling or unplugging the power tool. Keep cord away from heat, oil, sharp edges or moving parts.** Damaged or entangled cords increase the risk of electric shock.
5. **When operating a power tool outdoors, use an extension cord suitable for outdoor use.** Use of a cord suitable for outdoor use reduces the risk of electric shock.
6. **If operating a power tool in a damp location is unavoidable, use a residual current device (RCD) protected supply.** Use of an RCD reduces the risk of electric shock.
7. **Power tools can produce electromagnetic fields (EMF) that are not harmful to the user.** However, users of pacemakers and other similar medical devices should contact the maker of their device and/or doctor for advice before operating this power tool.

#### Personal safety

1. **Stay alert, watch what you are doing and use common sense when operating a power tool. Do not use a power tool while you are tired or under the influence of drugs, alcohol or medication.** A moment of inattention while operating power tools may result in serious personal injury.
2. **Use personal protective equipment. Always wear eye protection.** Protective equipment such as a dust mask, non-skid safety shoes, hard hat or hearing protection used for appropriate conditions will reduce personal injuries.
3. **Prevent unintentional starting. Ensure the switch is in the off-position before connecting to power source and/or battery pack, picking up or carrying the tool.** Carrying power tools with your finger on the switch or energising power tools that have the switch on invites accidents.
4. **Remove any adjusting key or wrench before turning the power tool on.** A wrench or a key left attached to a rotating part of the power tool may result in personal injury.
5. **Do not overreach. Keep proper footing and balance at all times.** This enables better control of the power tool in unexpected situations.
6. **Dress properly. Do not wear loose clothing or jewellery. Keep your hair and clothing away from moving parts.** Loose clothes, jewellery or long hair can be caught in moving parts.
7. **If devices are provided for the connection of dust extraction and collection facilities, ensure these are connected and properly used.** Use of dust collection can reduce dust-related hazards.

8. **Do not let familiarity gained from frequent use of tools allow you to become complacent and ignore tool safety principles.** A careless action can cause severe injury within a fraction of a second.
9. **Always wear protective goggles to protect your eyes from injury when using power tools.** The goggles must comply with ANSI Z87.1 in the USA, EN 166 in Europe, or AS/NZS 1336 in Australia/New Zealand. In Australia/New Zealand, it is legally required to wear a face shield to protect your face, too.



It is an employer's responsibility to enforce the use of appropriate safety protective equipments by the tool operators and by other persons in the immediate working area.

#### Power tool use and care

1. **Do not force the power tool. Use the correct power tool for your application.** The correct power tool will do the job better and safer at the rate for which it was designed.
  2. **Do not use the power tool if the switch does not turn it on and off.** Any power tool that cannot be controlled with the switch is dangerous and must be repaired.
  3. **Disconnect the plug from the power source and/or remove the battery pack, if detachable, from the power tool before making any adjustments, changing accessories, or storing power tools.** Such preventive safety measures reduce the risk of starting the power tool accidentally.
  4. **Store idle power tools out of the reach of children and do not allow persons unfamiliar with the power tool or these instructions to operate the power tool.** Power tools are dangerous in the hands of untrained users.
  5. **Maintain power tools and accessories. Check for misalignment or binding of moving parts, breakage of parts and any other condition that may affect the power tool's operation. If damaged, have the power tool repaired before use.** Many accidents are caused by poorly maintained power tools.
  6. **Keep cutting tools sharp and clean.** Properly maintained cutting tools with sharp cutting edges are less likely to bind and are easier to control.
  7. **Use the power tool, accessories and tool bits etc. in accordance with these instructions, taking into account the working conditions and the work to be performed.** Use of the power tool for operations different from those intended could result in a hazardous situation.
8. **Keep handles and grasping surfaces dry, clean and free from oil and grease.** Slippery handles and grasping surfaces do not allow for safe handling and control of the tool in unexpected situations.
  9. **When using the tool, do not wear cloth work gloves which may be entangled.** The entanglement of cloth work gloves in the moving parts may result in personal injury.

#### Battery tool use and care

1. **Recharge only with the charger specified by the manufacturer.** A charger that is suitable for one type of battery pack may create a risk of fire when used with another battery pack.
2. **Use power tools only with specifically designed battery packs.** Use of any other battery packs may create a risk of injury and fire.
3. **When battery pack is not in use, keep it away from other metal objects, like paper clips, coins, keys, nails, screws or other small metal objects, that can make a connection from one terminal to another.** Shorting the battery terminals together may cause burns or a fire.
4. **Under abusive conditions, liquid may be ejected from the battery; avoid contact. If contact accidentally occurs, flush with water. If liquid contacts eyes, additionally seek medical help.** Liquid ejected from the battery may cause irritation or burns.
5. **Do not use a battery pack or tool that is damaged or modified.** Damaged or modified batteries may exhibit unpredictable behaviour resulting in fire, explosion or risk of injury.
6. **Do not expose a battery pack or tool to fire or excessive temperature.** Exposure to fire or temperature above 130 °C may cause explosion.
7. **Follow all charging instructions and do not charge the battery pack or tool outside the temperature range specified in the instructions.** Charging improperly or at temperatures outside the specified range may damage the battery and increase the risk of fire.

#### Service

1. **Have your power tool serviced by a qualified repair person using only identical replacement parts.** This will ensure that the safety of the power tool is maintained.
2. **Never service damaged battery packs.** Service of battery packs should only be performed by the manufacturer or authorized service providers.
3. **Follow instruction for lubricating and changing accessories.**

### Cordless threaded rod cutter safety warnings

1. **Hold the tool firmly.**
2. **Secure the workpiece firmly.**
3. **Keep your face and hands away from moving parts.** During cutting, the fraction of the threaded rod may fly off.
4. **Always wear gloves when handling threaded rods.** Edges and chips of the workpiece are sharp.
5. **Do not put the tool on the chips of the workpiece. Otherwise it can cause damage and trouble on the tool.**

6. Always be sure you have a firm footing. Be sure no one is below when using the tool in high locations.
7. Do not touch the cutting edge or the workpiece immediately after operation; they may be extremely hot and could burn your skin.
8. Avoid cutting electrical wires. It can cause serious accident by electric shock.
9. Always hold the threaded rod during and after cutting to prevent the cut threaded rod from falling off. A cut threaded rod may cause serious personal injury if fallen off from a high location.
10. Keep a safe distance between your body and the moving parts. Do not operate the tool if the working area is too narrow to keep a safe distance.
11. Never leave the tool on a high location or a potentially unstable surface.
10. The contained lithium-ion batteries are subject to the Dangerous Goods Legislation requirements.  
For commercial transports e.g. by third parties, forwarding agents, special requirement on packaging and labeling must be observed.  
For preparation of the item being shipped, consulting an expert for hazardous material is required. Please also observe possibly more detailed national regulations.  
Tape or mask off open contacts and pack up the battery in such a manner that it cannot move around in the packaging.
11. When disposing the battery cartridge, remove it from the tool and dispose of it in a safe place. Follow your local regulations relating to disposal of battery.
12. Use the batteries only with the products specified by Makita. Installing the batteries to non-compliant products may result in a fire, excessive heat, explosion, or leak of electrolyte.
13. If the tool is not used for a long period of time, the battery must be removed from the tool.

## SAVE THESE INSTRUCTIONS.

**⚠WARNING:** DO NOT let comfort or familiarity with product (gained from repeated use) replace strict adherence to safety rules for the subject product.

MISUSE or failure to follow the safety rules stated in this instruction manual may cause serious personal injury.

### Important safety instructions for battery cartridge

1. Before using battery cartridge, read all instructions and cautionary markings on (1) battery charger, (2) battery, and (3) product using battery.
2. Do not disassemble battery cartridge.
3. If operating time has become excessively shorter, stop operating immediately. It may result in a risk of overheating, possible burns and even an explosion.
4. If electrolyte gets into your eyes, rinse them out with clear water and seek medical attention right away. It may result in loss of your eyesight.
5. Do not short the battery cartridge:
  - (1) Do not touch the terminals with any conductive material.
  - (2) Avoid storing battery cartridge in a container with other metal objects such as nails, coins, etc.
  - (3) Do not expose battery cartridge to water or rain.

A battery short can cause a large current flow, overheating, possible burns and even a breakdown.
6. Do not store the tool and battery cartridge in locations where the temperature may reach or exceed 50 °C (122 °F).
7. Do not incinerate the battery cartridge even if it is severely damaged or is completely worn out. The battery cartridge can explode in a fire.
8. Be careful not to drop or strike battery.
9. Do not use a damaged battery.

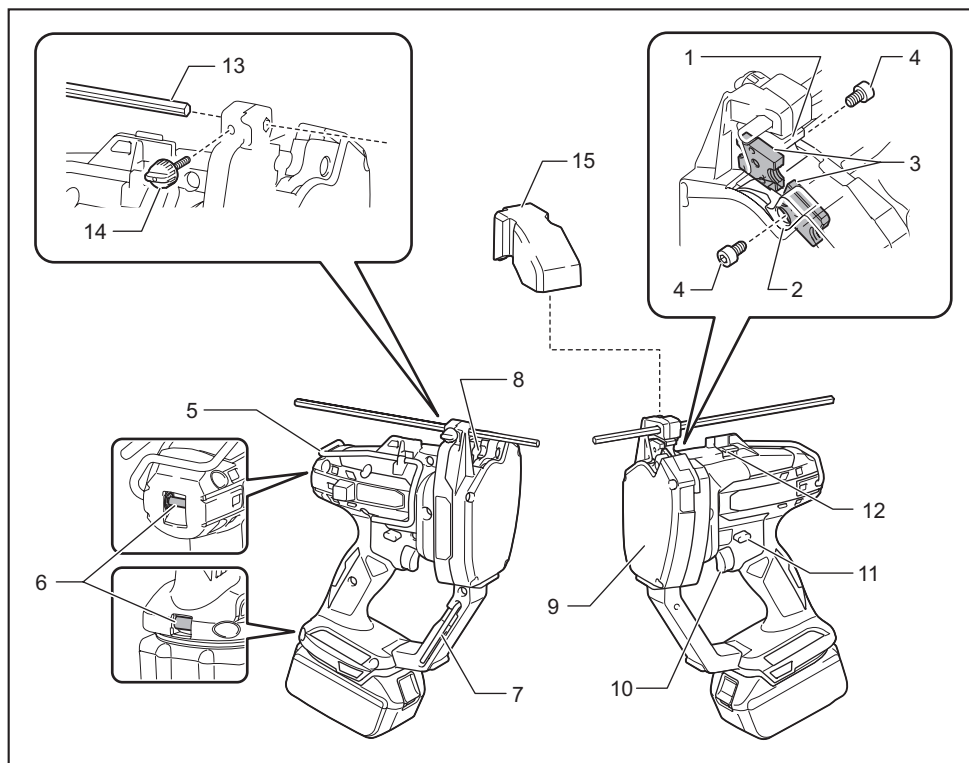
## SAVE THESE INSTRUCTIONS.

**⚠CAUTION:** Only use genuine Makita batteries. Use of non-genuine Makita batteries, or batteries that have been altered, may result in the battery bursting causing fires, personal injury and damage. It will also void the Makita warranty for the Makita tool and charger.

### Tips for maintaining maximum battery life

1. Charge the battery cartridge before completely discharged. Always stop tool operation and charge the battery cartridge when you notice less tool power.
2. Never recharge a fully charged battery cartridge. Overcharging shortens the battery service life.
3. Charge the battery cartridge with room temperature at 10 °C - 40 °C (50 °F - 104 °F). Let a hot battery cartridge cool down before charging it.
4. Charge the battery cartridge if you do not use it for a long period (more than six months).

# PARTS DESCRIPTION



1	Stationary mount	2	Movable mount	3	Cutting die	4	Bolt
5	Hook	6	Shoulder strap base (for optional accessory)	7	Hex Wrench	8	Lamp (inside)
9	Front face	10	Switch trigger	11	Reversing switch lever	12	Rod guide
13	Guide scale	14	Clamping screw	15	Cover	-	-

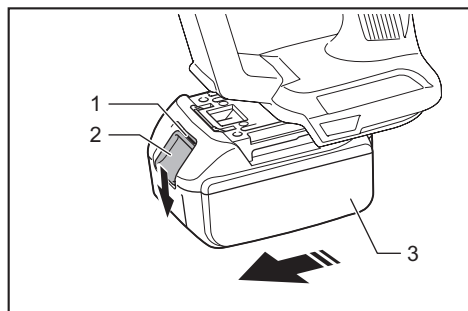
## FUNCTIONAL DESCRIPTION

**CAUTION:** Always be sure that the tool is switched off and the battery cartridge is removed before adjusting or checking function on the tool.

### Installing or removing battery cartridge

**CAUTION:** Always switch off the tool before installing or removing of the battery cartridge.

**CAUTION:** Hold the tool and the battery cartridge firmly when installing or removing battery cartridge. Failure to hold the tool and the battery cartridge firmly may cause them to slip off your hands and result in damage to the tool and battery cartridge and a personal injury.



► 1. Red indicator 2. Button 3. Battery cartridge

To remove the battery cartridge, slide it from the tool while sliding the button on the front of the cartridge.

To install the battery cartridge, align the tongue on the battery cartridge with the groove in the housing and slip it into place. Insert it all the way until it locks in place with a little click. If you can see the red indicator on the upper side of the button, it is not locked completely.

**CAUTION:** Always install the battery cartridge fully until the red indicator cannot be seen. If not, it may accidentally fall out of the tool, causing injury to you or someone around you.

**CAUTION:** Do not install the battery cartridge forcibly. If the cartridge does not slide in easily, it is not being inserted correctly.

### Tool / battery protection system

The tool is equipped with a tool/battery protection system. This system automatically cuts off power to the motor to extend tool and battery life. The tool will automatically stop during operation if the tool or battery is placed under one of the following conditions.

#### Overload protection

When the tool is operated in a manner that causes it to draw an abnormally high current, the tool automatically stops without any indication. In this situation, turn the tool off and stop the application that caused the tool to become overloaded. Then turn the tool on to restart.

**NOTE:** Overload protection activates when you try to cut the following kinds of threaded rods.

- A threaded rod which is larger than the cutting dice size.
- A threaded rod which is harder than the cutting capacity of the cutting dice.

#### Overheat protection

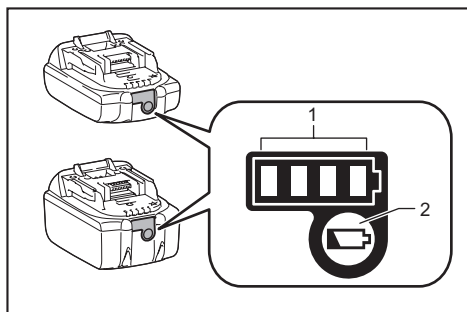
When the tool is overheated, the tool automatically stops and the LED light will blink. Let the tool cool down before turning the tool on again.

#### Overdischarge protection

When the battery capacity becomes low, the tool stops automatically. If the product does not operate even when the switches are operated, remove the batteries from the tool and charge the batteries.

### Indicating the remaining battery capacity

Only for battery cartridges with the indicator



► 1. Indicator lamps 2. Check button

Press the check button on the battery cartridge to indicate the remaining battery capacity. The indicator lamps light up for a few seconds.

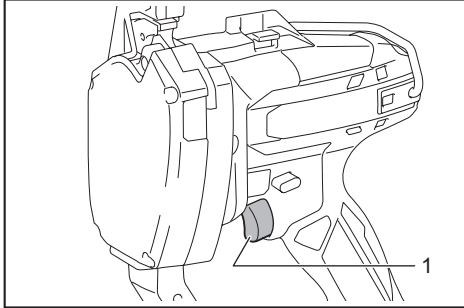
Indicator lamps			Remaining capacity
Lighted	Off	Blinking	
■ ■ ■ ■			75% to 100%
■ ■ ■ □			50% to 75%
■ ■ □ □			25% to 50%
■ □ □ □			0% to 25%
▬ □ □ □			Charge the battery.
■ ■ □ □			The battery may have malfunctioned.
□ □ ■ ■			

**NOTE:** Depending on the conditions of use and the ambient temperature, the indication may differ slightly from the actual capacity.

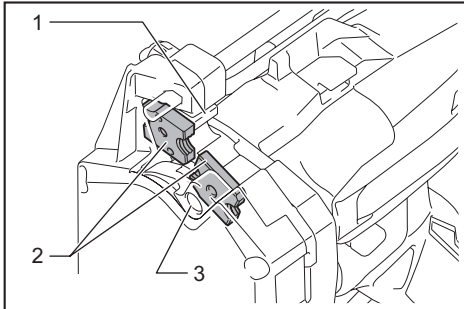
## Switch action

**⚠ CAUTION:** Before installing the battery cartridge into the tool, always check to see that the switch trigger actuates properly and returns to the "OFF" position when released.

To start the cutting operation, continue to pull the switch trigger. The cutting die on the movable mount will overlap with the die on the stationary mount and then returns. If you release the switch trigger before completing the cut, the cutting dice will stop.



► 1. Switch trigger



► 1. Stationary mount 2. Cutting die 3. Movable mount

**NOTICE:** Do not operate the tool at no-load unnecessarily.

## Auto-stop function

When you continue to pull the switch trigger, the jaw of the dice once closes and returns to fully opened position then stops. Release the trigger and pull it again to begin the next cutting sequence.

## Reversing switch lever

**⚠ WARNING:** When not operating the tool, always set the reversing switch lever to the lock position.

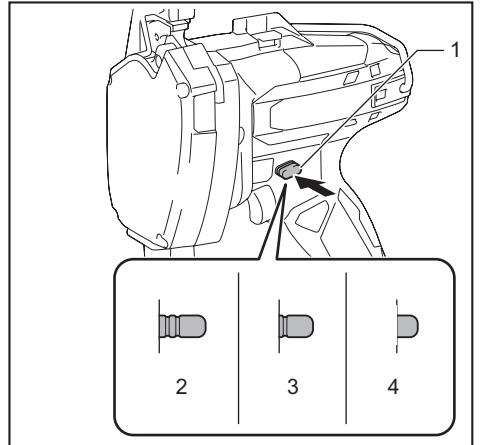
**⚠ CAUTION:** Always make sure the position of the reversing switch lever before operating.

**NOTICE:** Do not move the reversing switch lever when the switch trigger is being pulled. This may cause a damage to the tool.

To start the cutting operation, set the reversing switch lever to cutting position.

To reverse the cutting sequence, set the reversing switch lever to the reversing position. When you continue to pull the switch trigger, the jaw of the cutting dice opens and stops at fully opened position.

To lock the switch trigger, set the reversing switch lever to the lock position. The switch trigger cannot be pulled in this position.



► 1. Reversing switch lever 2. Cutting position 3. Lock position 4. Reversing position

**NOTICE:** When the reversing switch lever is in the reversing position, run the tool only as needed. To prevent the damage to the tool, the tool will automatically stops when it is run in the reversing position continuously.

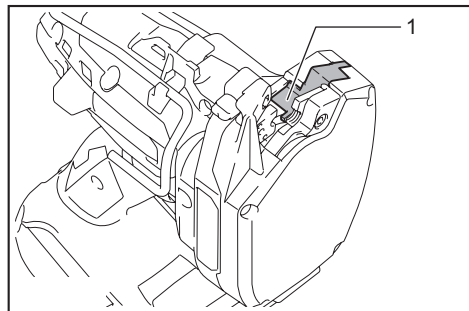
**NOTE:** After cutting, if you release the switch trigger while the jaw of the cutting dice is opening and then set the reversing switch lever to the reversing position, the jaw will once close and then open when you pull the switch trigger again.



## LED light

**CAUTION:** Do not look in the light or see the source of light directly.

Pull the switch trigger to light up the lamp. The lamp keeps on lighting while the switch trigger is being pulled. The lamp goes out approximately 15 seconds after releasing the switch trigger.



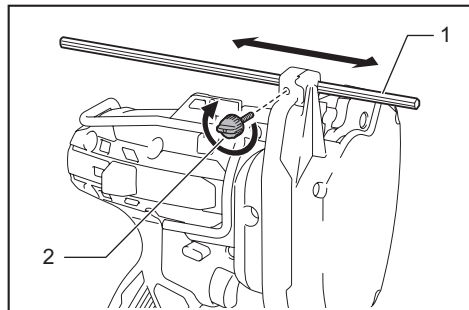
► 1. Lamp (inside)

**NOTE:** Use a dry cloth to wipe the dirt off the lens of the lamp. Be careful not to scratch the lens of lamp, or it may lower the illumination.

**NOTE:** When the tool is overheated, the lamp will blink. Let the tool cool down in this case.

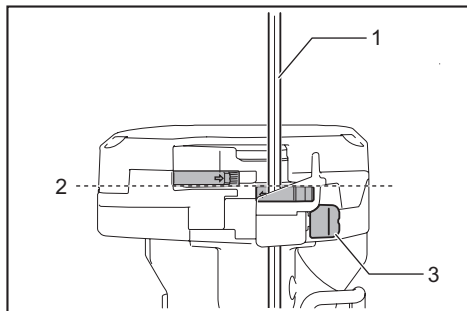
## Guide scale

Use the guide scale if you wish to cut threaded rods in the same length. Insert the guide scale into the hole as shown in the figure.



► 1. Guide scale 2. Clamping screw

Align the value of your desired length on the guide scale with the cutting line. Then tighten the clamping screw.

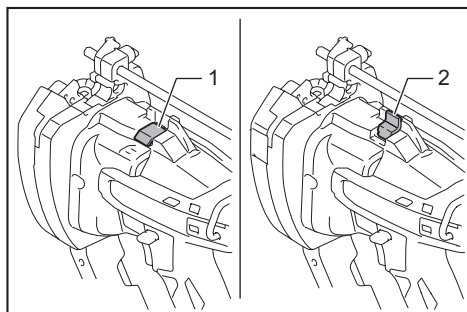


► 1. Guide scale 2. Cutting line 3. Clamping screw

**CAUTION:** Do not hold the guide scale to carry or handle the tool. The tool may fall off and cause personal injury and/or damage to the tool.

## Rod guide

For a precise cutting, set the rod guide in position depending on the diameter of the threaded rod to be cut.



► 1. Rod guide (Position 1) 2. Rod guide (Position 2)

There are two rod guide positions.

Position	Size of threaded rod
1	W3/8, 3/8-16UNC, M10
2	W5/16, W1/4, 5/16-18UNC, 1/4-20UNC, M8, M6

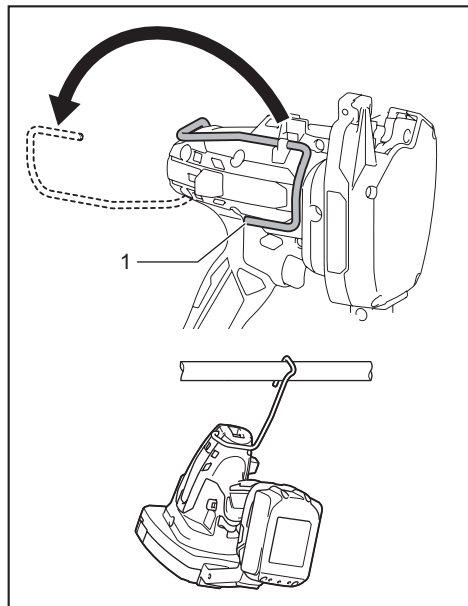
## Hook

**CAUTION:** Never hook the tool on a windy location or a potentially unstable surface.

**CAUTION:** Do not use the hook when it is deformed or damaged.

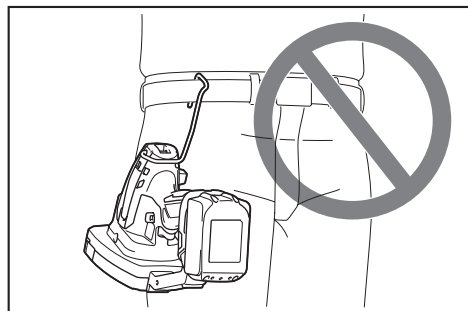
**CAUTION:** When not operating the tool, always fold the hook.

The hook is convenient for hanging the tool temporarily.



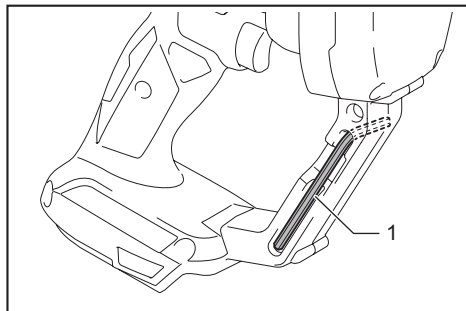
► 1. Hook

**CAUTION:** Do not hang the hook from the waist belt. It may result in personal injuries and/or damage to the tool if dropped.



## Hex wrench storage

When not in use, store the hex wrench as shown in the figure to keep it from being lost.

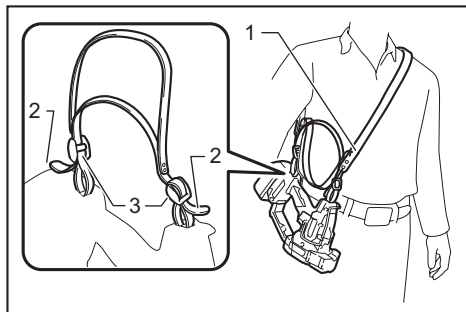


► 1. Hex wrench

## Shoulder strap

### Optional accessory

Shoulder strap is useful for carrying the tool.



► 1. Shoulder strap 2. Belt end 3. Buckle

**CAUTION:** Always wear the shoulder strap crossed over your body and adjusted in proper length.

**CAUTION:** Do not use the shoulder strap if it is damaged.

**CAUTION:** Leave an sufficient length between the buckle and belt end to prevent the belt end from slipping through the buckle.

## ASSEMBLY

**CAUTION:** Always be sure that the tool is switched off and the battery cartridge is removed before carrying out any work on the tool.

## Installing the cutting dice

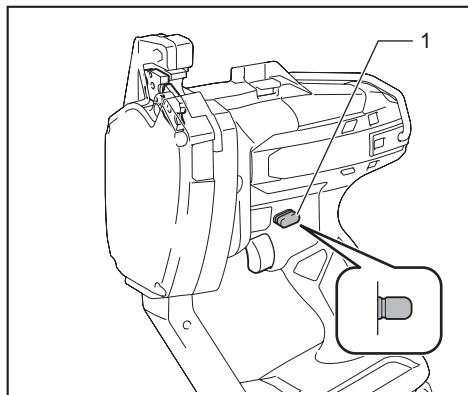
**CAUTION:** Always install the cutting dice in the correct directions and secured firmly. Incorrect or loose attachment may cause breakage of the cutting dice, resulting personal injury by flown off fractions.

**NOTICE:** Remove the burr on the cutting dice using a file if any.

1. Check if the jaw of the cutting dice is fully opened. If not, install the battery and pull the switch trigger until the jaw is fully opened.

**CAUTION:** Be sure to remove the battery cartridge if you installed.

2. Set the reversing switch lever to the lock position.

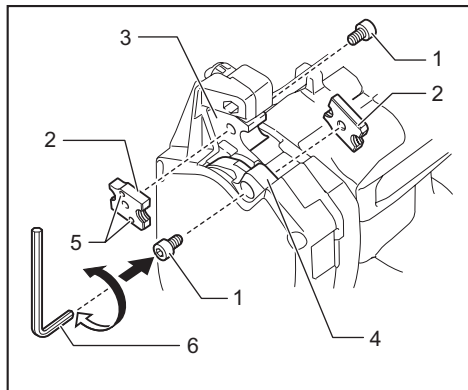


- 1. Reversing switch lever

3. Unscrew the bolts with the supplied hex wrench.

**CAUTION:** Use only the Makita wrench provided with the tool. Using other wrenches may result in overtightening or insufficient tightening which causes personal injury.

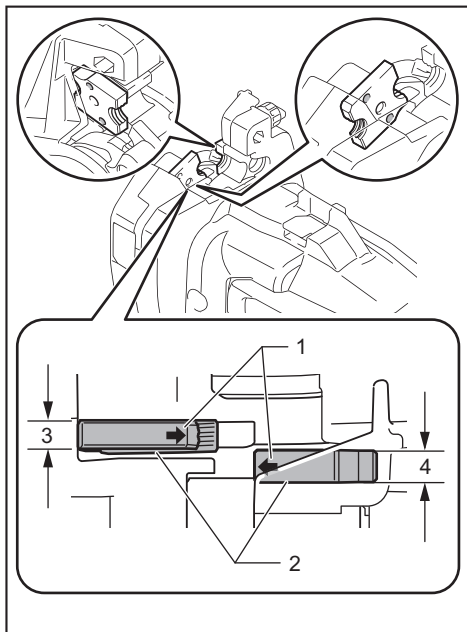
4. Set the cutting dice onto the mounts so that the two colored markings can be seen.



- 1. Bolt 2. Cutting die 3. Stationary mount 4. Movable mount 5. Colored marking 6. Hex wrench

5. Secure the cutting dice with the bolts firmly.

The cutting dice are correctly installed if the arrows on them point each other. The dimensions of the cutting dice are the same but their thickness look different when seen from above.



- 1. Arrow 2. Cutting die 3. Thin side 4. Thick side

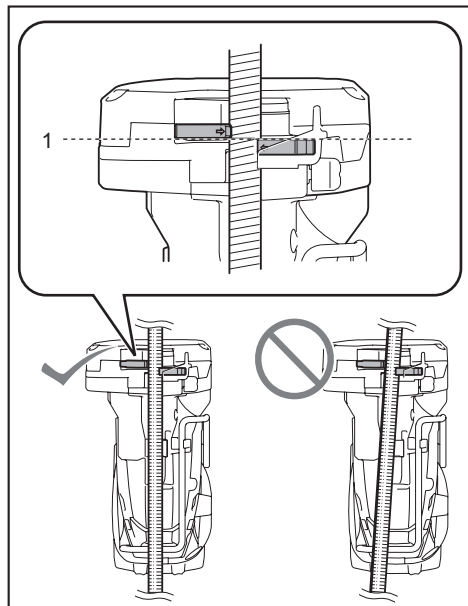
## OPERATION

**CAUTION:** Make sure that the correct size of the cutting dice are installed to the tool. Check the cutting capacity written on the the cutting dice before cutting.

**CAUTION:** Before pulling the switch trigger, be sure to set the threaded rod so that its thread fits with those of cutting dice. Incorrect alignment of the threads may break the cutting dice and cause personal injury by flown off fractions.

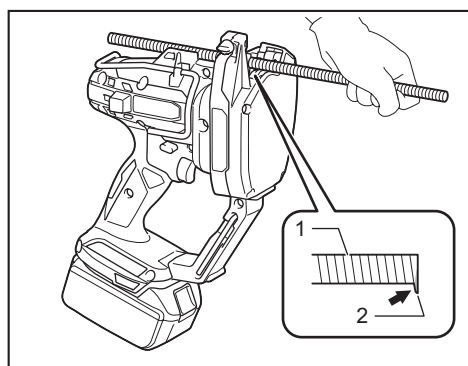
**CAUTION:** Replace the cutting dice if the cutting edge is chipped or deformed.

When cutting, place the threaded rod perpendicular to the cutting line as shown in the figure.



► 1. Cutting line

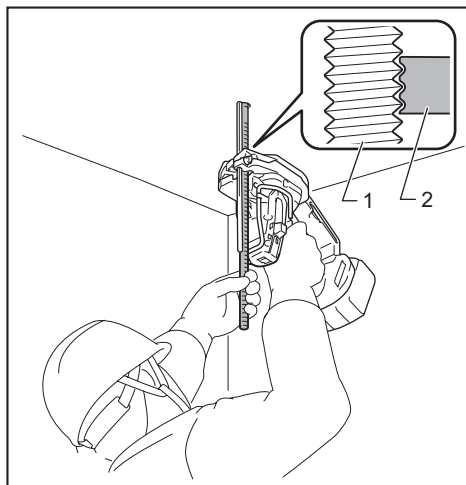
**NOTE:** When cutting a threaded rod made of ductile metal such as stainless steel, burrs may be generated on the cut end. Remove burrs with a file in this case.



► 1. Threaded rod 2. Burr

## Cutting secured threaded rods

When cutting a threaded rod which is secured to the building structure such as the ceiling, wall, floor, etc., follow the procedure below :



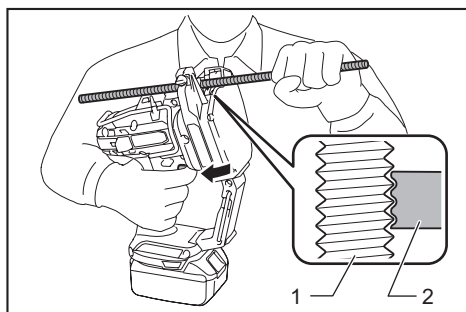
► 1. Threaded rod 2. Cutting die on the stationary mount

1. Bring the tool so that the threaded rod is positioned between the cutting dice.
2. While the threaded rod contacting with the rod guide, fit the thread of the rod with that of the cutting die on the stationary mount.
3. Pull and hold the switch trigger until the cutting is finished and the jaw of the cutting dice comes to fully opened position.

**NOTICE:** Clean the front face of the tool and the tip of the guide scale before operation. They may dirty the contacting surface.

## Cutting loose threaded rods

When cutting a loose threaded rod on the floor or a work table, follow the procedure below :

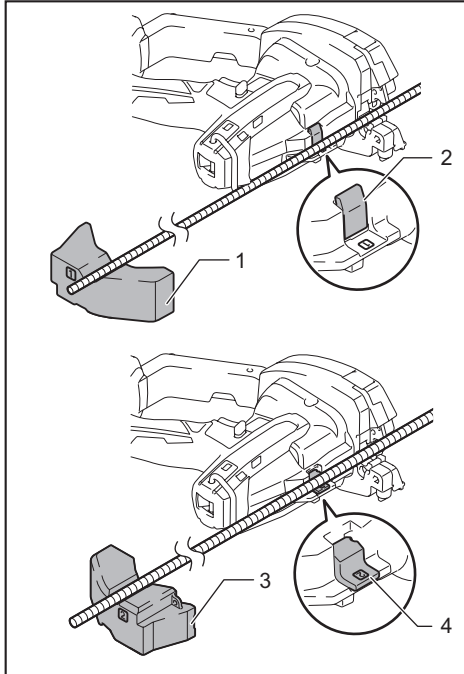


► 1. Threaded rod 2. Cutting die on the stationary mount

1. Position a threaded rod between the cutting dice.
2. While the threaded rod contacting with the rod guide, fit the thread of the rod with that of the cutting die on the stationary mount.

3. Pull and hold the switch trigger until the cutting is finished and the jaw of the cutting dice comes to fully opened position.

When cutting a long threaded rod which is hard to hold by hand, place the tool as illustrated. The tool can be placed flat. The cover also can be used for supporting the end of the threaded rod.



- 1. Cover (Position 1) 2. Rod guide (Position 1)  
3. Cover (Position 2) 4. Rod guide (Position 2)

The cover has markings to indicate its position. Depending on the size of the threaded rod, put the cover in the position as shown in the table as well as the rod guide.

Position	Size of threaded rod
1	W3/8, 3/8-16UNC, M10
2	W5/16, W1/4, 5/16-18UNC, 1/4-20UNC, M8, M6

### Quitting the cutting in the middle

**CAUTION:** Never try to pull out the tool forcibly from the threaded rod. It may cause unexpected start up which cause personal injury or damage to the cutting dice and tool.

When quitting the cutting in the middle, set the reversing switch lever to the reversing position and pull the switch trigger until the threaded rod is completely released from the cutting dice.

## MAINTENANCE

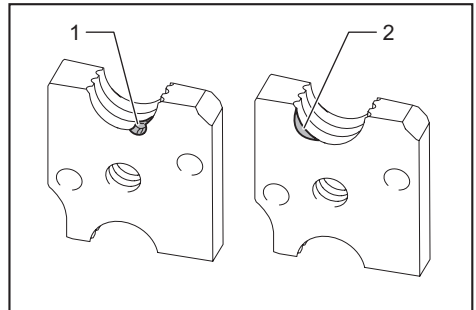
**CAUTION:** Always be sure that the tool is switched off and the battery cartridge is removed before attempting to perform inspection or maintenance.

**NOTICE:** Never use gasoline, benzine, thinner, alcohol or the like. Discoloration, deformation or cracks may result.

### Replacing the cutting dice

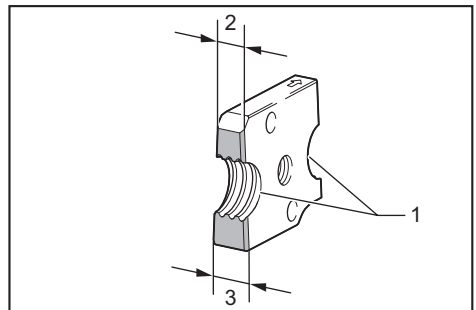
**NOTICE:** Replace the both cutting dice at the same time. Replacing the one side of the cutting dice may generate burr on the threaded rod.

Replace the cutting dice when it is chipped, deformed, or the cutting gets dull. To replace, follow the instructions in "Installing the cutting dice".



- 1. Chipping 2. Deformation

One cutting die has two cutting edges and thick side and thin side. Switch the installation positions of the cutting dice if you have not used the other sides of the cutting edges.

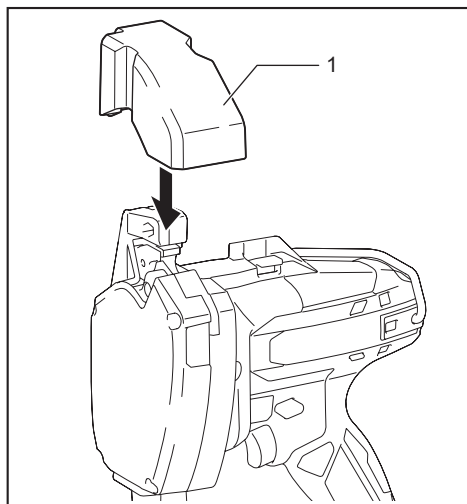


- 1. Cutting edge 2. Thin side 3. Thick side

## Carrying/storing the tool

**⚠ CAUTION:** When the tool is not used, always attach the supplied cover to the cutting portion.

Attach the cover when carrying the tool.  
When storing the tool, remove the battery cartridge and the guide scale from the tool. Clean dust on the cutting dice and the moving part. After that, attach the cover.



► 1. Cover

To maintain product SAFETY and RELIABILITY, repairs, any other maintenance or adjustment should be performed by Makita Authorized or Factory Service Centers, always using Makita replacement parts.

## OPTIONAL ACCESSORIES

**⚠ CAUTION:** These accessories or attachments are recommended for use with your Makita tool specified in this manual. The use of any other accessories or attachments might present a risk of injury to persons. Only use accessory or attachment for its stated purpose.

If you need any assistance for more details regarding these accessories, ask your local Makita Service Center.

- Cutting dice
- Shoulder strap
- Makita genuine battery and charger

**NOTE:** Some items in the list may be included in the tool package as standard accessories. They may differ from country to country.



**Makita Europe N.V.** Jan-Baptist Vinkstraat 2,  
3070 Kortenberg, Belgium

**Makita Corporation** 3-11-8, Sumiyoshi-cho,  
Anjo, Aichi 446-8502 Japan

[www.makita.com](http://www.makita.com)

885631B220 EN 20190410
------------------------------