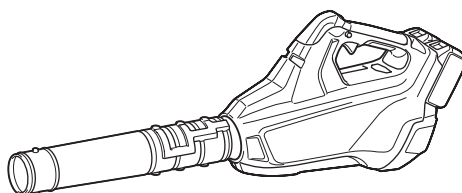


INSTRUCTION MANUAL



Cordless Blower

DUB362



Read before use.

SPECIFICATIONS

Model	DUB362	
Capacities	Air volume (max.)	0 - 13.4 m ³ /min
	Air speed (average)	0 - 54.0 m/s
	Air speed (max.)	0 - 65.0 m/s
Overall length	(without long nozzle)	585 mm
	(with long nozzle)	830, 880, 930 mm
Net weight	3.5 - 4.2 kg	
Rated voltage	D.C. 36 V	

- Due to our continuing program of research and development, the specifications herein are subject to change without notice.
- Specifications and battery cartridge may differ from country to country.
- The weight may differ depending on the attachment(s), including the battery cartridge. The lightest and heaviest combinations, according to EPTA-Procedure 01/2014, are shown in the table.

Applicable battery cartridge and charger

Battery cartridge	BL1815N / BL1820B / BL1830B / BL1840B / BL1850B / BL1860B
Charger	DC18RC / DC18RD / DC18RE / DC18SD / DC18SE / DC18SF / DC18SH / DC18WC

- Some of the battery cartridges and chargers listed above may not be available depending on your region of residence.

⚠ WARNING: Only use the battery cartridges and chargers listed above. Use of any other battery cartridges and chargers may cause injury and/or fire.








Recommended cord connected power source



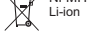
Battery adapter	BAP182
Cord connected battery pack	BL36120A
Portable power pack	PDC01 / PDC1200

- The cord connected power source(s) listed above may not be available depending on your region of residence.
- Before using the cord connected power source, read instruction and cautionary markings on them.

Symbols

The following show the symbols used for the equipment. Be sure that you understand their meaning before use.

	Take particular care and attention.
	Read instruction manual.
	Keep hands away from rotating parts.
	Long hair may cause entanglement accident.
	Keep bystanders away.
	Wear eye and ear protection.
	Do not expose to moisture.

	Guaranteed sound power level according to EU Outdoor Noise Directive.
	Sound power level according to Australia NSW Noise Control Regulation.
	<p>Only for EU countries</p> <p>Due to the presence of hazardous components in the equipment, waste electrical and electronic equipment, accumulators and batteries may have a negative impact on the environment and human health. Do not dispose of electrical and electronic appliances or batteries with household waste! In accordance with the European Directive on waste electrical and electronic equipment and on accumulators and batteries and waste accumulators and batteries, as well as their adaptation to national law, waste electrical equipment, batteries and accumulators should be stored separately and delivered to a separate collection point for municipal waste, operating in accordance with the regulations on environmental protection.</p> <p>This is indicated by the symbol of the crossed-out wheeled bin placed on the equipment.</p>

Intended use

The tool is intended for blowing dust.

Noise

The typical A-weighted noise level determined according to EN50636:

Sound pressure level (L_{pA}): 79.1 dB (A)

Uncertainty (K): 1.8 dB (A)

Sound power level (L_{WA}): 93.5 dB (A)

Uncertainty (K): 2.3 dB (A)

Wear ear protection

Vibration

The vibration total value (tri-axial vector sum) determined according to EN50636:

Work mode : operation without load

Vibration emission (a_{hV}): 2.5 m/s² or less

Uncertainty (K): 1.5 m/s²

NOTE: The declared vibration emission value has been measured in accordance with the standard test method and may be used for comparing one tool with another.

NOTE: The declared vibration emission value may also be used in a preliminary assessment of exposure.

⚠WARNING: The vibration emission during actual use of the power tool can differ from the declared emission value depending on the ways in which the tool is used.

⚠WARNING: Be sure to identify safety measures to protect the operator that are based on an estimation of exposure in the actual conditions of use (taking account of all parts of the operating cycle such as the times when the tool is switched off and when it is running idle in addition to the trigger time).

EC Declaration of Conformity

For European countries only

The EC declaration of conformity is included as Annex A to this instruction manual.

CORDLESS BLOWER SAFETY WARNINGS

Training

1. Read the instructions carefully. Be familiar with the controls and the correct use of the blower.
2. Never allow children, persons with reduced physical, sensory or mental capabilities or lack of experience and knowledge or people unfamiliar with these instructions to use the blower. Local regulations may restrict the age of the operator.
3. Electric shock could occur if used on wet surfaces. Do not expose to rain. Store indoors.
4. Keep in mind, that the operator or user is responsible for accidents or hazards occurring to other people or their property.

Preparation

5. Obtain ear protection and safety glasses. Wear them at all times while operating the blower.
6. Always wear substantial footwear and long trousers while operating the blower.

7. Do not wear loose clothing or jewellery that can be drawn into the air inlet. Keep long hair away from the air inlets.
8. To prevent dust irritation the wearing of a face mask is recommended.

Operation

9. Operate the blower in a recommended position and only on a firm, level surface.
 10. Never point the nozzle at anyone in the vicinity when using the blower.
 11. Never block suction inlet and/or blower outlet.
 - Do not block suction inlet or blower outlet to clean up in dusty areas.
 - Do not use the blower with a tapered nozzle smaller than the original one, such as a new nozzle obtained by attaching an extra diameter-reduced hose or smaller hose to the nozzle top end.
 - Do not use the blower to inflate balls, rubber boat or the similar.
- Increased motor revolution may cause dangerous fan breakage and result in serious personal injury. Heated motor and control circuit may cause a fire.
12. Do not overreach and keep proper balance and footing at all times. Always be sure of the footing on slopes and to walk, never run.
 13. Do not operate the blower on a paved or gravel surface where ejected material could cause injury.
 14. Never operate the blower while people, especially children, or pets are nearby.
 15. Do not operate the blower near open window, etc.
 16. Operating the blower only at reasonable hours is recommended - not early in the morning or late at night when people might be disturbed.
 17. Using rakes and brooms to loosen debris before blowing is recommended.
 18. It is recommended to slightly dampen surfaces in dusty conditions or use mister attachment available on the market.
 19. It is recommended to use the long nozzle so the air stream can work close to the ground.
 20. If the blower strikes any foreign objects or should start making any unusual noise or vibration, immediately switch off the blower to stop it. Remove the battery cartridge from the blower and take the following steps before restarting and operating the blower:
 - inspect for damage,
 - when the blower is damaged, have it repaired by Makita Authorized Service Centers.
 21. Switch off the blower and remove the battery cartridge and make sure that all moving parts have come to a complete stop
 - whenever you leave the blower,
 - before clearing blockages or unclogging chute,
 - before checking, cleaning or working on the blower,
 - if the blower starts to vibrate abnormally, for immediately check, or
 - after striking a foreign object to inspect the blower for damage.
 22. Do not insert fingers or other objects into suction inlet or blower outlet.

23. Prevent unintentional starting. Ensure the switch is in the off-position before inserting battery pack, picking up or carrying the blower. Carrying the blower with your finger on the switch or energising the blower that has the switch on invites accidents.

Maintenance and storage

24. When the blower is stopped for servicing, inspection, or storage, or to change an accessory, shut off the power source, remove the battery cartridge from the blower and make sure that all moving parts come to a complete stop. Cool down the blower before making any inspections, adjustments, etc. Maintain the blower with care and keep it clean.
25. Store the blower in a dry place out of the reach of children.
26. Always cool down the blower before storing.
27. Keep all nuts, bolts and screws tight to be sure the blower is in safe working condition.

Battery tool use and care

28. Recharge only with the charger specified by the manufacturer. A charger that is suitable for one type of battery pack may create a risk of fire when used with another battery pack.
29. Use the blower only with specifically designated battery packs. Use of any other battery packs may create a risk of injury and fire.

SAVE THESE INSTRUCTIONS.

⚠WARNING: DO NOT let comfort or familiarity with product (gained from repeated use) replace strict adherence to safety rules for the subject product. MISUSE or failure to follow the safety rules stated in this instruction manual may cause serious personal injury.

Important safety instructions for battery cartridge

1. Before using battery cartridge, read all instructions and cautionary markings on (1) battery charger, (2) battery, and (3) product using battery.
2. Do not disassemble or tamper with the battery cartridge. It may result in a fire, excessive heat, or explosion.
3. If operating time has become excessively shorter, stop operating immediately. It may result in a risk of overheating, possible burns and even an explosion.
4. If electrolyte gets into your eyes, rinse them out with clear water and seek medical attention right away. It may result in loss of your eyesight.
5. Do not short the battery cartridge:
 - (1) Do not touch the terminals with any conductive material.
 - (2) Avoid storing battery cartridge in a container with other metal objects such as nails, coins, etc.
 - (3) Do not expose battery cartridge to water or rain.

A battery short can cause a large current flow, overheating, possible burns and even a breakdown.

6. Do not store and use the tool and battery cartridge in locations where the temperature may reach or exceed 50 °C (122 °F).
7. Do not incinerate the battery cartridge even if it is severely damaged or is completely worn out. The battery cartridge can explode in a fire.
8. Do not nail, cut, crush, throw, drop the battery cartridge, or hit against a hard object to the battery cartridge. Such conduct may result in a fire, excessive heat, or explosion.
9. Do not use a damaged battery.
10. The contained lithium-ion batteries are subject to the Dangerous Goods Legislation requirements. For commercial transports e.g. by third parties, forwarding agents, special requirement on packaging and labeling must be observed. For preparation of the item being shipped, consulting an expert for hazardous material is required. Please also observe possibly more detailed national regulations. Tape or mask off open contacts and pack up the battery in such a manner that it cannot move around in the packaging.
11. When disposing the battery cartridge, remove it from the tool and dispose of it in a safe place. Follow your local regulations relating to disposal of battery.
12. Use the batteries only with the products specified by Makita. Installing the batteries to non-compliant products may result in a fire, excessive heat, explosion, or leak of electrolyte.
13. If the tool is not used for a long period of time, the battery must be removed from the tool.
14. During and after use, the battery cartridge may take on heat which can cause burns or low temperature burns. Pay attention to the handling of hot battery cartridges.
15. Do not touch the terminal of the tool immediately after use as it may get hot enough to cause burns.
16. Do not allow chips, dust, or soil stuck into the terminals, holes, and grooves of the battery cartridge. It may cause heating, catching fire, burst and malfunction of the tool or battery cartridge, resulting in burns or personal injury.
17. Unless the tool supports the use near high-voltage electrical power lines, do not use the battery cartridge near high-voltage electrical power lines. It may result in a malfunction or breakdown of the tool or battery cartridge.
18. Keep the battery away from children.

SAVE THESE INSTRUCTIONS.

⚠CAUTION: Only use genuine Makita batteries. Use of non-genuine Makita batteries, or batteries that have been altered, may result in the battery bursting causing fires, personal injury and damage. It will also void the Makita warranty for the Makita tool and charger.

Tips for maintaining maximum battery life

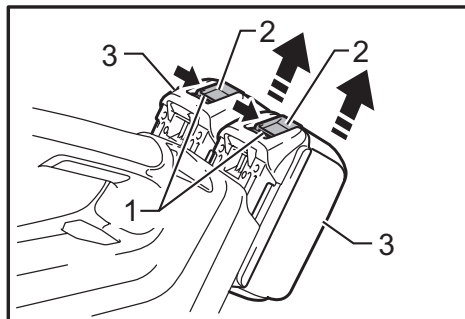
1. Charge the battery cartridge before completely discharged. Always stop tool operation and charge the battery cartridge when you notice less tool power.
2. Never recharge a fully charged battery cartridge. Overcharging shortens the battery service life.
3. Charge the battery cartridge with room temperature at 10 °C - 40 °C (50 °F - 104 °F). Let a hot battery cartridge cool down before charging it.
4. When not using the battery cartridge, remove it from the tool or the charger.
5. Charge the battery cartridge if you do not use it for a long period (more than six months).

FUNCTIONAL DESCRIPTION

CAUTION:

- Always be sure that the tool is switched off and the battery cartridge is removed before adjusting or checking function on the tool.

Installing or removing battery cartridge



- 1. Red indicator 2. Button 3. Battery cartridge

CAUTION:

- Always switch off the tool before installing or removing the battery cartridge.
- **Hold the tool and the battery cartridge firmly when installing or removing battery cartridge.** Failure to hold the tool and the battery cartridge firmly may cause them to slip off your hands and result in damage to the tool and battery cartridge and a personal injury.

To remove the battery cartridge, slide it from the tool while sliding the button on the front of the cartridge. To install the battery cartridge, align the tongue on the battery cartridge with the groove in the housing and slip it into place. Insert it all the way until it locks in place with a little click. If you can see the red indicator on the upper side of the button, it is not locked completely.

CAUTION:

- Always install the battery cartridge fully until the red indicator cannot be seen. If not, it may accidentally fall out of the tool, causing injury to you or someone around you.
- Do not install the battery cartridge forcibly. If the cartridge does not slide in easily, it is not being inserted correctly.

NOTE:

- The tool does not work with only one battery cartridge.

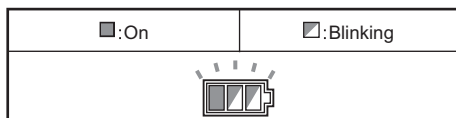
Tool / battery protection system

The tool is equipped with a tool/battery protection system. This system automatically cuts off power to the motor to extend tool and battery life. The tool will automatically stop during operation if the tool or battery is placed under one of the following conditions. In some conditions, the indicators light up.

Overload protection

When the tool is operated in a manner that causes it to draw an abnormally high current, the tool automatically stops without any indication. In this situation, turn the tool off and stop the application that caused the tool to become overloaded. Then turn the tool on to restart.

Overheat protection for tool



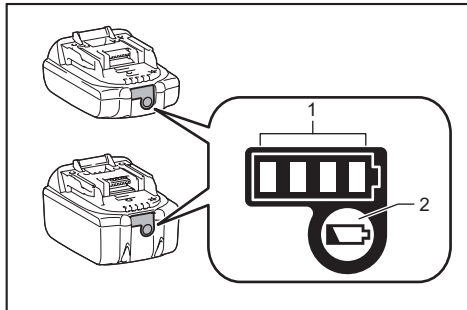
When the tool is overheated, the tool stops automatically, the battery indicator blink about 60 seconds. In this situation, let the tool cool down before turning the tool on again.

Overdischarge protection

When the battery capacity becomes low, the tool stops automatically. If the product does not operate even when the switches are operated, remove the batteries from the tool and charge the batteries.

Indicating the remaining battery capacity

Only for battery cartridges with the indicator



► 1. Indicator lamps 2. Check button

Press the check button on the battery cartridge to indicate the remaining battery capacity. The indicator lamps light up for a few seconds.

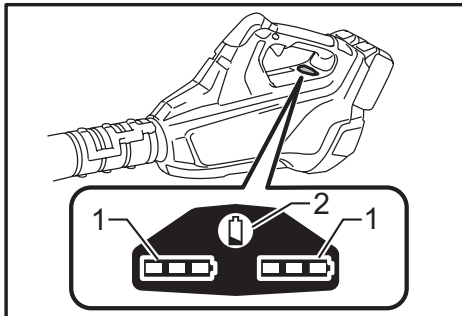
Indicator lamps			Remaining capacity
Lighted	Off	Blinking	
■ ■ ■ ■			75% to 100%
■ ■ ■ □			50% to 75%
■ ■ □ □			25% to 50%
■ □ □ □			0% to 25%
▣ □ □ □			Charge the battery.
■ ■ □ □	↑ ↓	■ ■	The battery may have malfunctioned.

NOTE: Depending on the conditions of use and the ambient temperature, the indication may differ slightly from the actual capacity.

NOTE: The first (far left) indicator lamp will blink when the battery protection system works.

Remaining battery capacity indication

(Country specific)



► 1. Battery indicator 2. CHECK button

Press the check button to make the battery indicators show the remaining battery capacities. The battery indicators correspond to each battery.

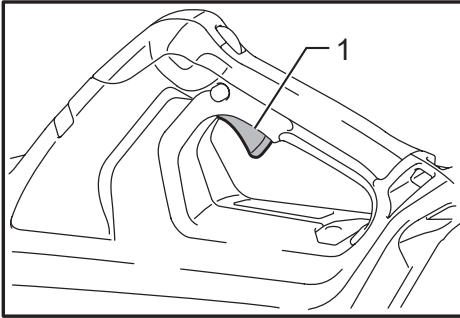
Remaining battery capacity indication

Battery indicator status	Remaining battery capacity
■:On □:Off ▣:Blinking	
	50% - 100%
	20% - 50%
	0% - 20%
	Charge the battery

Switch action

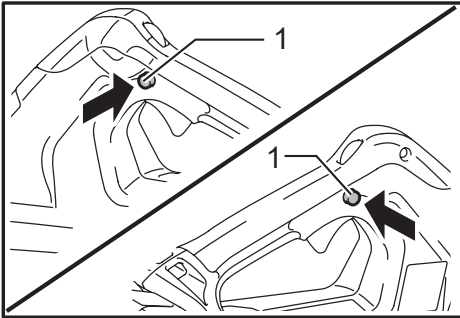
⚠ CAUTION:

- Before inserting the battery cartridge into the tool, always check to see that the switch trigger actuates properly and returns to the "OFF" position when released.



► 1. Switch trigger

To start the tool, simply pull the switch trigger. Tool speed is increased by increasing pressure on the switch trigger. Release the switch trigger to stop.

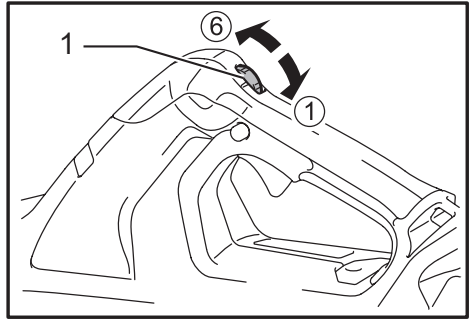


► 1. Lock button

For continuous operation, pull the switch trigger, push in the lock button and then release the switch trigger.

To stop the tool from the locked position, pull the switch trigger fully, then release it.

Speed change



► 1. Adjusting dial

The maximum air volume can be adjusted just by turning the adjusting dial. This can be done even while the tool is running. The dial is marked 1 (lowest) to 6 (highest).

NOTICE:

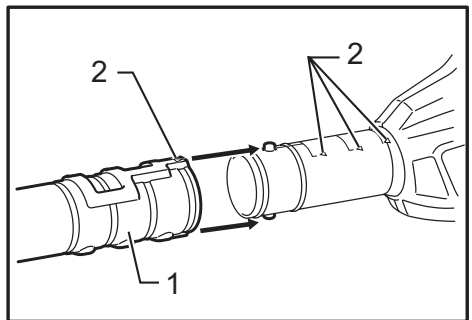
The speed adjusting dial can be turned only as far as 6 and back to 1. Do not force it past 6 or 1, or the speed adjusting function may no longer work. When working in a high temperature circumstance, the tool may be stopped because of the overheat protection system. In that case let the tool cool down. Avoid setting to speed 6 (highest) in high temperature circumstances.

ASSEMBLY

⚠ CAUTION:

- Always be sure that the tool is switched off and the battery cartridge is removed before carrying out any work on the tool.

Installing the long nozzle

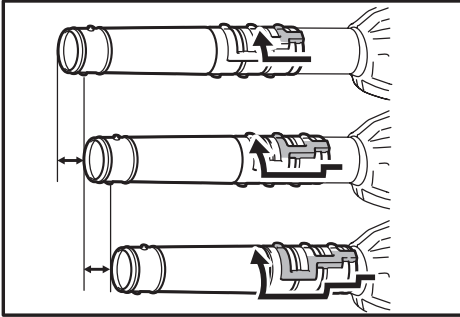


► 1. Long nozzle 2. Triangle marking

To install the long nozzle:

1. Align the small projection of the housing with the groove of the long nozzle.

- Slide in the long nozzle, and turn it clockwise until the triangle markings on the long nozzle and the housing meet each other.



The length of the nozzle can be adjusted by changing the locking position.

Installing the flat nozzle or extension nozzle

Optional accessory

The extension nozzle / flat nozzle can be installed on the tip of the long nozzle in the same way as above.

Installing the gutter nozzle

Optional accessory

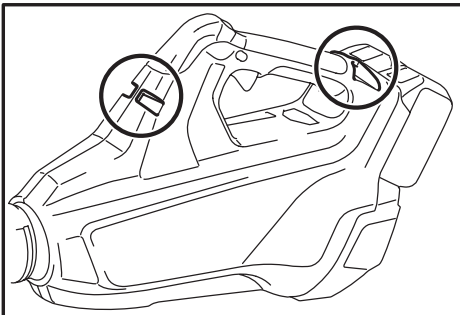
The gutter nozzle can be installed on the blower. The adapter pipe designed exclusively for this model is required to install the gutter nozzle. For more details, refer to the instruction manual provided with the gutter nozzle.

Attaching the shoulder strap

Optional accessory

CAUTION: When you use the tool in combination of the backpack-type power supply such as portable power pack, do not use the shoulder strap included in the tool package.

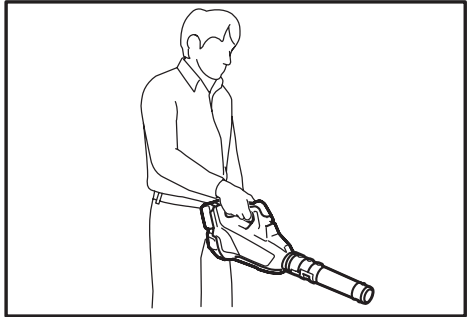
If you put on the shoulder strap included in the tool package and the shoulder harness of the backpack-type power supply at the same time, removing the tool or backpack-type power supply is difficult in case of an emergency, and it may cause an accident or injury.



Hook the shoulder strap onto the hanger of the tool. Before use, adjust the length of strap so that it is easy to work with it.

OPERATION

Blowing



CAUTION:

- Do not place the blower on the ground while it is switched on. Sand or dust may enter from suction inlet, and they may result in personal injury.

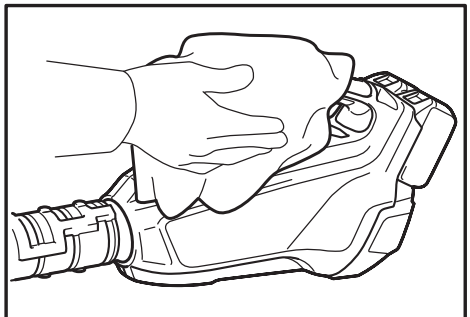
Hold the blower firmly with a hand and perform the blowing operation by moving it around slowly. When blowing around a building, a big stone or a vehicle, direct the nozzle away from them. When performing an operation in corner, start from the corner and then move to wide area.

MAINTENANCE

CAUTION:

- Always be sure that the tool is switched off and the battery cartridge is removed before attempting to perform inspection or maintenance.
- Never use gasoline, benzene, thinner, alcohol or the like. Discoloration, deformation or cracks may result.

Cleaning



From time to time, wipe off the outside of the tool using a cloth dampened in soapy water.

To maintain product SAFETY and RELIABILITY, repairs, any other maintenance or adjustment should be performed by Makita Authorized Service Centers, always using Makita replacement parts.

OPTIONAL ACCESSORIES

⚠ CAUTION:

- These accessories or attachments are recommended for use with your Makita tool specified in this manual. The use of any other accessories or attachments might present a risk of injury to persons. Only use accessory or attachment for its stated purpose.

If you need any assistance for more details regarding these accessories, ask your local Makita Service Center.

- Makita genuine battery and charger
- Shoulder strap
- Extension nozzle
- Flat nozzle
- Gutter nozzle
- Adapter pipe

NOTE:

- Some items in the list may be included in the tool package as standard accessories. They may differ from country to country.

Makita Europe N.V. Jan-Baptist Vinkstraat 2,
3070 Kortenberg, Belgium

Makita Corporation 3-11-8, Sumiyoshi-cho,
Anjo, Aichi 446-8502 Japan

www.makita.com

8854011227 EN 20220114
