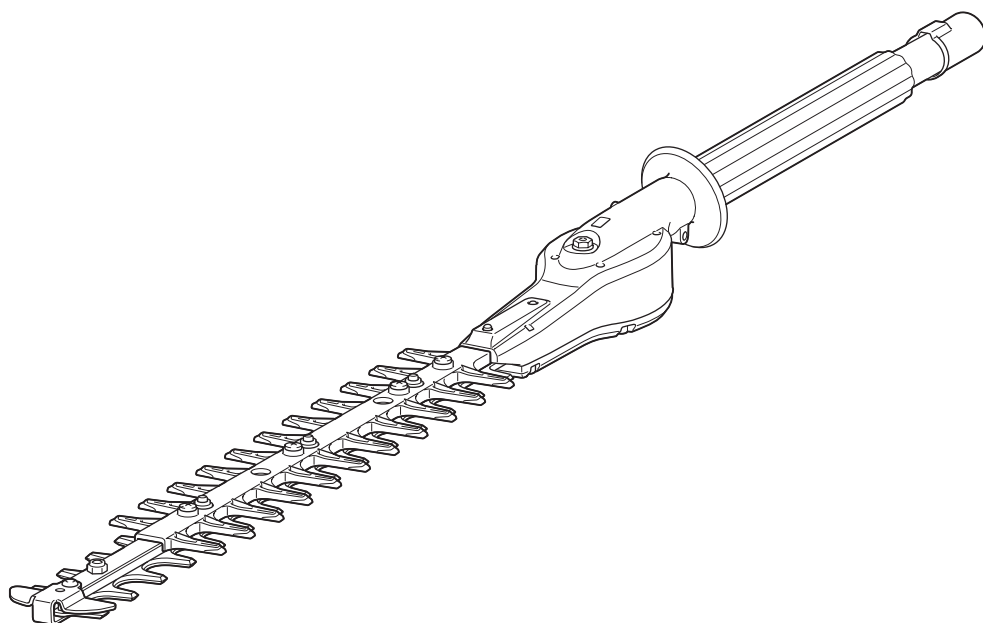




EN	Hedge Trimmer Attachment	INSTRUCTION MANUAL	4
FR	Tête Taille-Haie à Perche	MANUEL D'INSTRUCTIONS	9
DE	Heckenscheren-Aufsatz	BETRIEBSANLEITUNG	14
IT	Accessorio tagliasiepi	ISTRUZIONI PER L'USO	19
NL	Heggenschaarhulpstuk	GEBRUIKSAANWIJZING	24
ES	Accesorio para Cortasetos	MANUAL DE INSTRUCCIONES	29
PT	Implemento Aparador de Cerca Viva	MANUAL DE INSTRUÇÕES	34
DA	Tilbehør til hækkeklipper	BRUGSANVISNING	39
EL	Προσάρτημα κλαδευτηριού	ΕΓΧΕΙΡΙΔΙΟ ΟΔΗΓΙΩΝ	44
TR	Çit Budama Ek Parçası	KULLANMA KILAVUZU	49

EN410MP



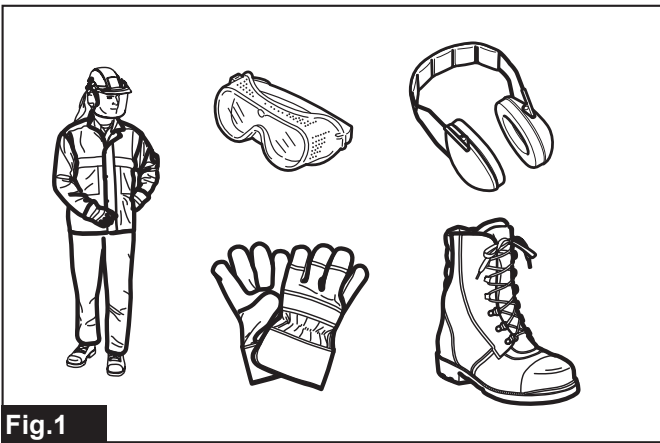


Fig.1

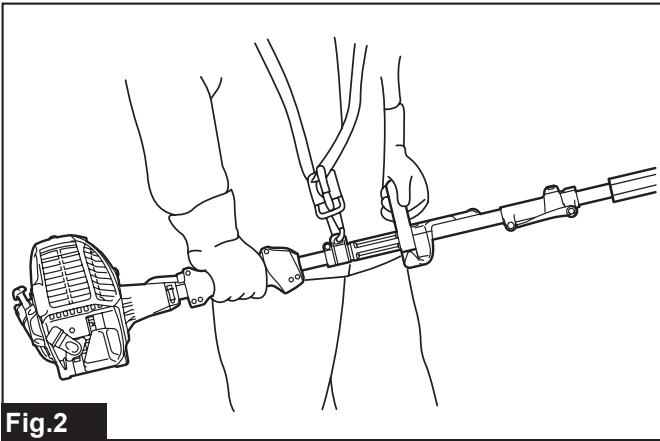


Fig.2

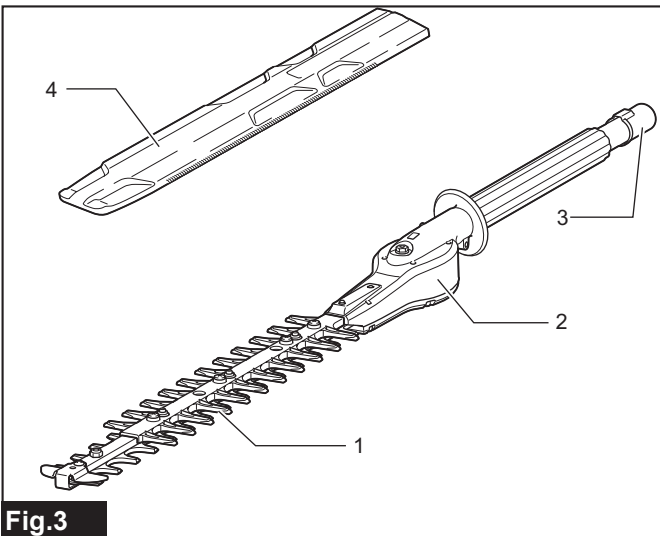


Fig.3

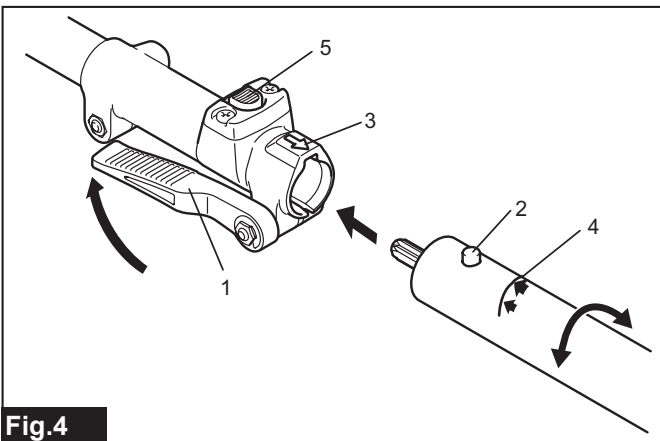


Fig.4

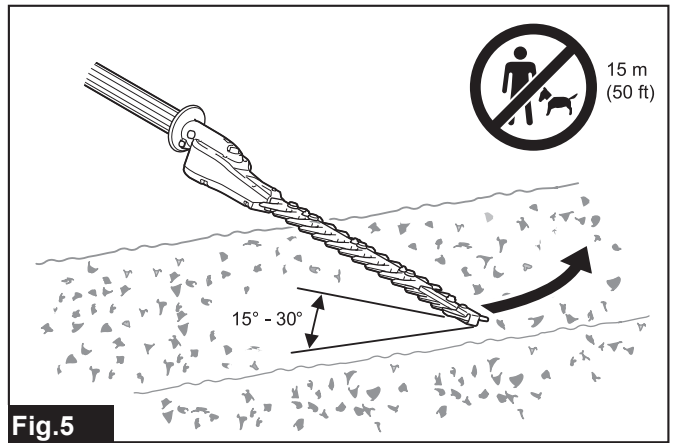


Fig.5

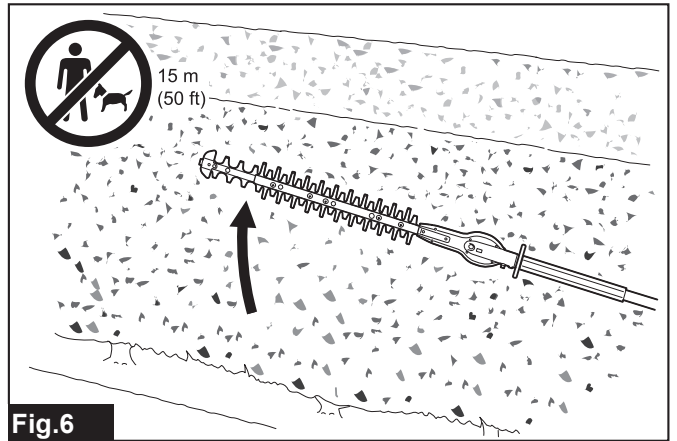


Fig.6

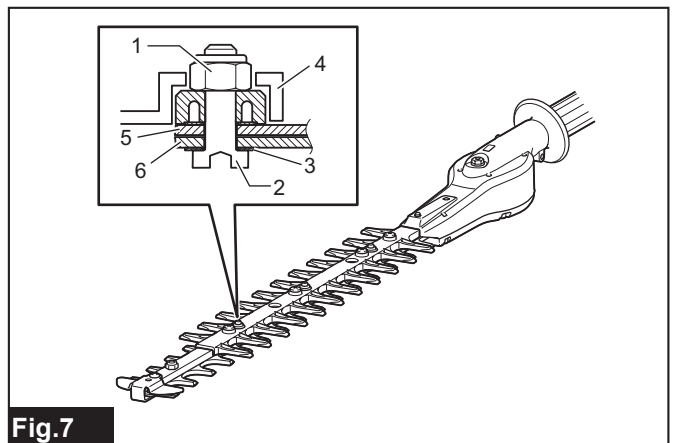


Fig.7

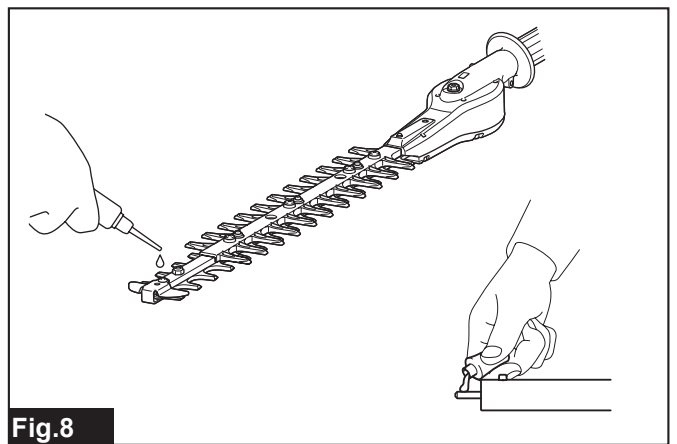


Fig.8

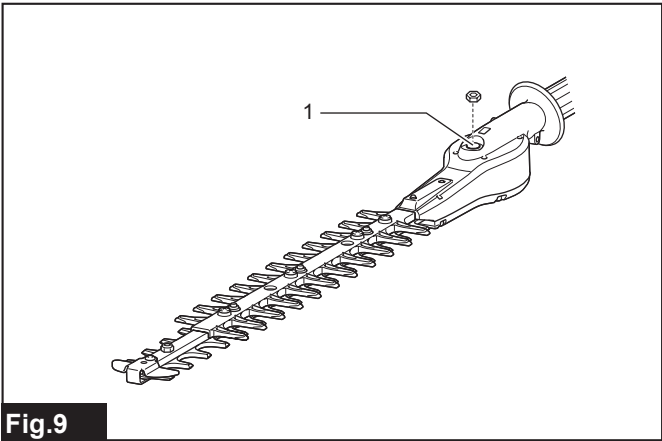
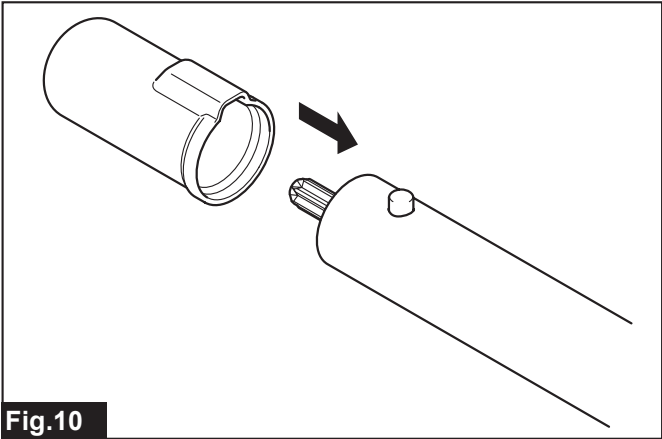


Fig.9



SPECIFICATIONS

Model:	EN410MP
Dimensions (L x W x H)	1,104 mm x 85 mm x 61 mm (43-1/2" x 3-3/8" x 2-3/8")
Net weight	2.0 kg (4.5 lbs)
Effective cutting length	490 mm (19-1/4")
Gear ratio	1 : 4.7

- Due to our continuing program of research and development, the specifications herein are subject to change without notice.
- Specifications may differ from country to country.

Approved power unit

⚠WARNING: Never use the attachment with non-approved power unit. Non-approved combination may cause serious injury.

This attachment is approved to use only with the following power unit(s):

- (Multi Function Power Head)
EX2650LH
- (Cordless Multi Function Power Head)
BUX360, BUX361, BUX362, UX360D, UX361D, UX362D,
DUX60, XUX01, DUX18, XUX02, UX01G, GUX01

Approved attachment










⚠WARNING: Never use a non-approved attachment. Non-approved combination may cause serious injury.




This attachment is approved to use only with the following attachment(s):

- (Shaft extension attachment)
LE400MP

Symbols

The followings show the symbols which may be used for the equipment. Be sure that you understand their meaning before use.

	Read and follow the instruction manual.
	Take particular care and attention!
	Forbidden!
	Beware of electrical lines. Risk of electrical shock.
	DANGER - Keep hands away from blade.
	Wear protective gloves.
	Wear protective helmet, eye and ear protection.
	Wear sturdy boots with non-slip soles.
	Keep bystanders and animals at least 15 m (50 ft) away from the power tool.
	Keep the area of operation clear of all persons and pets.
	Hot surfaces - Burns to fingers or hands.

	First aid
	Guaranteed sound power level according to EU Outdoor Noise Directive.
	Sound power level according to Australia NSW Noise Control Regulation.

Intended use

This attachment is designed for only the purpose of trimming shrubs and hedges in conjunction with an approved power unit. Never use the attachment for the other purpose. Abusing the attachment may cause serious injury.

EC Declaration of Conformity

For European countries only

We as the manufacturers: **Makita Europe N.V.**, Business address: **Jan-Baptist Vinkstraat 2 3070 Kortenberg BELGIUM**. Authorize **Hiroshi Tsujimura** for the compilation of the technical file and declare under our sole responsibility that the product(s); Designation: **Hedge Trimmer Attachment**. Designation of Type(s): **EN410MP**.

Fulfills all the relevant provisions of **2006/42/EC** and also fulfills all the relevant provisions of the following EC/EU Directives: **2000/14/EC** and are manufactured in accordance with the following Harmonised Standards: **EN ISO 10517:2019, EN 62841-4-2:2019**.

Place and date of declaration: **Kortenberg, Belgium. 1. 5. 2022**
Responsible person: **Hiroshi Tsujimura, Director - Makita Europe N.V.**



Declaration of Conformity (For UK)

For UK only

We as the manufacturers: **Makita Europe N.V.**, Business address: **Jan-Baptist Vinkstraat 2 3070 Kortenberg BELGIUM**. Authorize **Hiroshi Tsujimura** for the compilation of the technical file and declare under our sole responsibility that the product(s); Designation: **Hedge Trimmer Attachment**. Designation of Type(s): **EN410MP**.

Fulfills all the relevant provisions of **S.I. 2008/1597 (as amended)** and also fulfills all the relevant provisions of the following UK Regulations: **S.I. 2001/1701 (as amended)** and are manufactured in accordance with the following Designated Standards: **EN ISO 10517:2019, EN 62841-4-2:2019**.

Place and date of declaration: **Kortenberg, Belgium. 1. 5. 2022**
Responsible person: **Hiroshi Tsujimura, Director - Makita Europe N.V.**

Importer: Makita (UK) Limited, Michigan Drive, Tongwell, Milton Keynes, Buckinghamshire, MK15 8JD, UK



SAFETY WARNINGS

Hedge trimmer safety warnings

1. **Keep all parts of the body away from the blade. Do not remove cut material or hold material to be cut when blades are moving.** Blades continue to move after the switch is turned off. A moment of inattention while operating the hedge trimmer may result in serious personal injury.
2. **Carry the hedge trimmer by the handle with the blade stopped and taking care not to operate any power switch.** Proper carrying of the hedge trimmer will decrease the risk of inadvertent starting and resultant personal injury from the blades.
3. **When transporting or storing the hedge trimmer, always fit the blade cover.** Proper handling of the hedge trimmer will decrease the risk of personal injury from the blades.
4. **When clearing jammed material or servicing the unit, make sure all power switches are off and the battery pack is removed or disconnected.** Unexpected actuation of the hedge trimmer while clearing jammed material or servicing may result in serious personal injury.
5. **Hold the hedge trimmer by insulated gripping surfaces only, because the blade may contact hidden wiring.** Blades contacting a "live" wire may make exposed metal parts of the hedge trimmer "live" and could give the operator an electric shock.
6. **Keep all power cords and cables away from cutting area.** Power cords or cables may be hidden in hedges or bushes and can be accidentally cut by the blade.
7. **Do not use the hedge trimmer in bad weather conditions, especially when there is a risk of lightning.** This decreases the risk of being struck by lightning.

Extended-reach hedge trimmer safety warnings

1. **To reduce the risk of electrocution, never use the extended-reach hedge trimmer near any electrical power lines.** Contact with or use near power lines may cause serious injury or electric shock resulting in death.
2. **Always use two hands when operating the extended-reach hedge trimmer.** Hold the extended-reach hedge trimmer with both hands to avoid loss of control.
3. **Always use head protection when operating the extended-reach hedge trimmer overhead.** Falling debris can result in serious personal injury.

IMPORTANT SAFETY INSTRUCTIONS

⚠ WARNING: Read all safety warnings and all instructions in this booklet and the instruction manual of the power unit. Failure to follow the warnings and instructions may result in electric shock, fire and/or serious injury.

⚠ WARNING: Save all warnings and instructions for future reference.

The term "hedge trimmer" and "equipment" in the warnings and precautions refer to the combination of the attachment and the power unit.

The term "motor" in the warnings and precautions refers to the engine or electric motor of the power unit.

General precautions

1. Before starting the hedge trimmer, read this booklet and the instruction manual of the power unit to become familiar with the handling of the hedge trimmer.
2. Do not lend the attachment to a person with insufficient experience or knowledge regarding handling of hedge trimmers.
3. When lending the attachment, always attach this instruction manual.
4. Do not allow children or young persons under 18 years old to use the hedge trimmer. Keep them away from the hedge trimmer.
5. Handle the hedge trimmer with the utmost care and attention.
6. Never use the hedge trimmer after consuming alcohol or drugs, or if feeling tired or ill.
7. Never attempt to modify the attachment.
8. Follow the regulations about handling of hedge trimmers in your country.

Personal protective equipment

► Fig.1

1. Wear safety helmet, protective goggles and protective gloves to protect yourself from flying debris or falling objects.

2. Wear ear protection such as ear muffs to prevent hearing loss.
3. Wear proper clothing and shoes for safe operation, such as a work overall and sturdy, non-slip shoes. Do not wear loose clothing or jewelry. Loose clothes, jewelry or long hair can be caught in moving parts.
4. When touching blades or adjusting the blade angle, wear protective gloves. Blades can cut bare hands severely.

Work area safety

⚠ WARNING: Keep the hedge trimmer away from electric lines and communication cables. Touching or approaching high-voltage lines with hedge trimmer can result in death or serious injury. Watch power lines and electrical fences around the work area before starting operation.

⚠ WARNING: Use of this product can create dust containing chemicals which may cause respiratory or other illnesses. Some examples of these chemicals are compounds found in pesticides, insecticides, fertilizers and herbicides. Your risk from these exposures varies, depending on how often you do this type of work. To reduce your exposure to these chemicals: work in a well ventilated area, and work with approved safety equipment, such as those dust masks that are specially designed to filter out microscopic particles.

1. Operate the hedge trimmer under good visibility and daylight conditions only. Do not operate the hedge trimmer in darkness or fog.
2. Start and operate the engine only outdoors in a well ventilated area. Operation in a confined or poorly ventilated area can result in death due to suffocation or carbon monoxide poisoning.
3. During operation, never stand on an unstable or slippery surface or a steep slope. During the cold season, beware of ice and snow and always ensure secure footing.
4. During operation, keep bystanders or animals at least 15 m away from the hedge trimmer. Stop the motor as soon as someone approaches.
5. Before operation, examine the work area for wire fences, stones, or other solid objects. They can damage the blades.

Putting into operation

1. Before assembling or adjusting the equipment, switch off the motor and remove the spark plug cap or the battery cartridge.
2. Before assembling the blades or adjusting the cutting angle, wear protective gloves.
3. Before starting the motor, inspect the equipment for damages, loose screws/nuts or improper assembly. Replace if the blades are cracked, bent, or damaged. Check all control levers and switches for easy action. Clean and dry the handles.
4. Never attempt to start the motor if the equipment is damaged or not fully assembled. Otherwise serious injury may result.
5. Adjust the shoulder harness and hand grip to suit the operator's body size.

Operation

1. In the event of an emergency, switch off the motor immediately.
2. If you feel any unusual condition (e.g. noise, vibration) during operation, switch off the motor. Do not use the hedge trimmer until the cause is recognized and solved.
3. The blades continue to move for a short period after releasing the throttle trigger or switch off the motor. Don't rush to contact the blades.
4. With the engine running only at idle, attach the shoulder harness.
5. During operation, use the shoulder harness. Keep the hedge trimmer on your right side firmly.

► Fig.2

6. Hold the front handle with the left hand and the rear grip with the right hand, no matter you are right-hander or left-hander. Wrap your fingers and thumbs around the handles.
7. Never attempt to operate the equipment with one hand. Loss of control may result in serious or fatal injury. To reduce the risk of cut injuries, keep your hands and feet away from the blades.
8. Do not overreach. Keep proper footing and balance at all times. Watch for hidden obstacles such as tree stumps, roots and ditches to avoid stumbling. Clear fallen branches and other objects away.
9. Never work on a ladder or tree to avoid loss of control.
10. Do not hold the machine above shoulder height.
11. During operation, never hit the blades against hard obstacles such stones and metals. Take particular care when cutting hedges next to or against wire fences. When working close to the ground, make sure that no sand, grit or stones get between the blades.

12. If the blades come into contact with stones or other solid objects, stop the motor immediately and check the blades for damage after removing the spark plug or the battery cartridge. Replace the blades if damaged.
13. If thick branches get jammed in the blades, immediately switch off the motor, put the hedge trimmer down and then remove the obstruction after removing the spark plug or the battery cartridge. Check the blades for damage before using the equipment again.
14. Never touch or approach the blades while they are moving. Blades can cut your finger easily. When handling the blades or adjusting the blade angle, stop the motor and remove the spark plug cap or the battery cartridge.
15. Accelerating the motor with the blades blocked increases the load and will damage the motor and/or clutch.
16. Check the cutting blades frequently during operation for cracks or blunt edges. Before the inspection, switch off the motor and wait until the blades stop completely. Replace damaged or dull blades immediately, even if they have only superficial cracks.
17. If the equipment gets heavy impact or fall, check the condition before continuing work. Check the fuel system for fuel leakage and the controls and safety devices for malfunction. If there is any damage or doubt, ask our authorized service center for the inspection and repair.
18. Do not touch the gear case. The gear case becomes hot during operation.
19. Take a rest to prevent loss of control caused by fatigue. We recommend to take a 10 to 20-minute rest every hour.
20. When you leave the equipment, even if it is a short time, always switch off the engine or remove the battery cartridge. The equipment unattended with the engine running may be used by unauthorized person and cause serious accident.
21. Before cutting, pull the throttle lever fully to achieve the maximum speed.
22. Follow the instruction manual of the power unit for proper use of the control lever and switch.
23. During or after operation, do not put the hot equipment onto dry grass or combustible materials.

Transport

1. Before transporting the equipment, switch off the motor and remove the spark plug cap or battery cartridge. Always fit the blade cover during transportation.
2. When carrying the equipment, carry it in a horizontal position by holding the shaft. Keep the hot muffler away from your body.
3. When transporting the equipment in a vehicle, properly secure it to avoid turnover. Otherwise fuel spillage and damage to the equipment and other baggage may result.

Maintenance

1. Before doing any maintenance or repair work or cleaning the equipment, always switch off the motor and remove the spark plug cap or the battery cartridge. Wait until the motor gets cold.
2. To reduce the risk of fire, never service the equipment in the vicinity of fire.
3. Always wear protective gloves when handling the blades.
4. Always clean dust and dirt off the equipment. Never use gasoline, benzene, thinner, alcohol or the like for the purpose. Discoloration, deformation or cracks of the plastic components may result.
5. After each use, tighten all screws and nuts, except for the carburetor adjustment screws.
6. Keep the cutting tool sharp. If the cutting blades have become blunt and cutting performance is poor, ask our authorized service center to sharpen the blades.
7. Never repair bent or broken blades by straightening or welding. It may cause parts of the blades to come off and result in serious injury. Contact our authorized service center for Makita genuine blades to replace them.
8. Do not attempt any maintenance or repair not described in this booklet or the instruction manual of the power unit. Ask our authorized service center for such work.
9. Always use Makita genuine spare parts and accessories only. Using parts or accessories supplied by a third party may result in the equipment breakdown, property damage and/or serious injury.
10. Request our authorized service center to inspect and maintain the hedge trimmer at regular interval.

Storage

1. Before storing the equipment, perform full cleaning and maintenance. Fit the blade cover.
2. Store the equipment in a dry and high or locked location out of reach of children.

3. Do not prop the equipment against something, such as a wall. Otherwise the hedge trimmer may fall suddenly and cause an injury.

First aid

1. Always have a first-aid kit close by. Immediately replace any item taken from the first aid kit.
2. **When asking for help, give the following information:**
 - **Place of the accident**
 - **What happened**
 - **Number of injured persons**
 - **Nature of the injury**
 - **Your name**

PARTS DESCRIPTION

► Fig.3

1	Blades	2	Gear case	3	Cap	4	Blade cover
---	--------	---	-----------	---	-----	---	-------------

ASSEMBLY

⚠ WARNING: Before assembling or adjusting the equipment, switch off the motor and remove the spark plug cap or the battery cartridge. Otherwise blades or other parts may move and result in serious injury.

⚠ WARNING: Before handling or working around blades, wear protective gloves and put the blade cover onto blades. Otherwise the blades can cut bare hands severely.

⚠ WARNING: When assembling or adjusting the equipment, always put it down. Assembling or adjusting the equipment in an upright position may result in serious injury.

⚠ WARNING: Follow the warnings and precautions in the chapter "Safety precautions" and the instruction manual of the power unit.

⚠ WARNING: Before operating the equipment, make sure that the lock lever is tightened.

Mounting the attachment to a power unit

To mount the attachment to a power unit, follow the steps below.

1. Make sure that the lock lever is not tightened.
2. Align the pin with the arrow mark.
3. Insert the shaft into the drive shaft of the power unit until the position line and the release button pops up.
4. Tighten the lock lever firmly as shown.

To remove the attachment, loosen the lock lever by turning the lock lever opposite direction, and press the lock button and withdraw the shaft.

► **Fig.4:** 1. Lock lever 2. Pin 3. Arrow mark 4. Position line 5. Release button

NOTICE: Do not tighten the lock lever without the shaft of the attachment inserted. Otherwise the lock lever may tighten the entrance of the drive shaft too much and damage it.

OPERATION

⚠ WARNING: If the blades move at idle, adjust the idle speed of the engine down. Otherwise you cannot stop the blades with throttle off and it may cause serious injury.

⚠ WARNING: Follow the warnings and precautions in the chapter "IMPORTANT SAFETY INSTRUCTIONS" and the instruction manual of the power unit.

Horizontal cut

When trimming hedges horizontally, follow the steps below.

1. Pull the throttle lever fully.
2. Apply the blades to the hedge with an angle of 15° to 30°.
3. Trim the hedge with a right to left swinging movement.

► **Fig.5**

Vertical cut

When trimming hedges vertically, follow the steps below.

1. Pull the throttle lever fully.
 2. Apply the blades to the hedge parallel to each other.
 3. Trim the hedge from the bottom upwards with a swinging movement.
- Fig.6

MAINTENANCE

⚠WARNING: Before inspecting or maintaining the equipment, switch off the motor and remove the spark plug cap or the battery cartridge. Otherwise blades or other parts may move and result in serious injury.

⚠WARNING: Before handling or working around blades, wear protective gloves and put the blade cover onto blades. During the assembly or adjustment, your fingers may contact with blades and it may cause serious injury.

⚠WARNING: When inspecting or maintaining the equipment, always put the equipment down. Assembling or adjusting the equipment in an upright position may result in serious injury.

⚠WARNING: Follow the warnings and precautions in the chapter "IMPORTANT SAFETY INSTRUCTIONS" and the instruction manual of the power unit.

Inspecting blades

Check the blades daily for damage, crack and dull edge. Ask our authorized service center to replace damaged blades or sharpen dull blades.

Adjusting the blade clearance

The upper/lower blades wear out gradually after operations. If you cannot get a clean cut though the blades are sharp enough, adjust the clearance as follows.

The tightness of the hex bolt decides the clearance of the blades. The nut holds the hex bolt with certain tightness. Too loose clearance causes blunt cut, but too tight clearance causes unnecessary heat and sooner worn-out of the blades.

1. Loosen the nuts with a wrench.
2. Tighten the hex bolts lightly till they stop. And then, screw them back a quarter to half turn each to gain necessary clearance.
3. Hold the hex bolts and tighten the nuts.

4. Apply light oil on the friction surface of the blades.
 5. Start the motor and operate the throttle on and off for a minute.
 6. Measure the time necessary for the blades to stop after releasing the throttle. If it is two seconds or longer, switch off the motor and repeat the step 1 to 6.
 7. Switch off the motor and touch the blade surface. If they are not too hot to touch, you have made a proper adjustment. If they are too hot to touch, turn the hex bolts back a little and repeat the step 5 to 7.
- Fig.7: 1. Nut 2. Hex bolt 3. Plate 4. Blade guard 5. Upper blade 6. Lower blade

Lubricating moving parts

NOTICE: Follow the instruction of the frequency and amount of grease supplied. Otherwise insufficient lubrication may damage moving parts.

► Fig.8

Gear case:

Apply grease every 25 working hours.

1. The grease hole locates under the bolt. Remove the bolt to lubricate.
2. Add approx. 5 g (7 cc) of grease to the grease hole.
3. Return the bolt after lubrication.

► Fig.9: 1. Grease hole

NOTE: After filling correct amount of grease, grease will come out a bit from the base of the blade during the first operation.

Drive axle:

Apply grease every 25 working hours.

Overall inspection

- Tighten loose bolts, nuts and screws.
- Check for damaged parts and blades. Ask our authorized service center to replace them if necessary.

Storage

⚠WARNING: Follow the warnings and precautions in the chapter "IMPORTANT SAFETY INSTRUCTIONS" and the instruction manual of the power unit.

When storing the hedge trimmer attachment separated from the power unit, put the cap onto the end of the shaft.

► Fig.10

MAINTENANCE INTERVAL

		Before operation	Daily (10h)	25 h	If required
Whole unit	Visually inspect for damaged parts	○	-	-	-
All fixing screws and nuts	Tighten	○	-	-	-
Blades	Inspect for damage, crack and dull edge	-	○	-	-
	Adjust the clearance	-	-	-	○
Gear case	Supply grease	-	-	○	-
Drive axle	Supply grease	-	-	○	-
Power unit	Refer to the instruction manual of the power unit				

TROUBLESHOOTING

State of abnormality	Probable cause (malfunction)	Remedy
The motor does not start.	Refer to the instruction manual of the power unit.	Refer to the instruction manual of the power unit.
The motor stops soon after its start.	Refer to the instruction manual of the power unit.	Refer to the instruction manual of the power unit.
The maximum speed is limited.	Refer to the instruction manual of the power unit.	Refer to the instruction manual of the power unit.
The blades do not move. ⇒ Stop the motor immediately!	Inappropriate angle of cutter unit.	Make sure the angle lock engages properly.
The blades do not move. ⇒ Stop the motor immediately!	A twig is caught by the blades.	Remove the foreign matter.
The blades do not move. ⇒ Stop the motor immediately!	The drive system does not work properly.	Ask our authorized service center to inspect and repair it.
The unit vibrates abnormally. ⇒ Stop the motor immediately!	The drive system does not work properly.	Ask our authorized service center to inspect and repair it.
The blades do not stop. ⇒ Stop the motor immediately!	The power unit does not work properly.	Refer to the instruction manual of the power unit.

OPTIONAL ACCESSORIES

⚠ CAUTION: These accessories or attachments are recommended for use with your Makita tool specified in this manual. The use of any other accessories or attachments might present a risk of injury to persons. Only use accessory or attachment for its stated purpose.

If you need any assistance for more details regarding these accessories, ask your local Makita Service Center.

- Blade set

NOTE: Some items in the list may be included in the tool package as standard accessories. They may differ from country to country.

SPÉCIFICATIONS

Modèle :	EN410MP
Dimensions (L x l x H)	1 104 mm x 85 mm x 61 mm (43-1/2" x 3-3/8" x 2-3/8")
Poids net	2,0 kg (4,5 lbs)
Longueur de coupe réelle	490 mm (19-1/4")
Rapport d'engrenage	1 : 4,7

- Étant donné l'évolution constante de notre programme de recherche et de développement, les spécifications contenues dans ce manuel sont sujettes à modification sans préavis.
- Les spécifications peuvent varier suivant les pays.

Outil motorisé approuvé

AVERTISSEMENT : N'utilisez jamais l'accessoire avec un outil motorisé non approuvé. Une association non approuvée pourrait provoquer de graves blessures.

Cet accessoire ne peut être utilisé qu'avec les outils motorisés suivants :

- (Outil motorisé multi-fonctions)
EX2650LH
- (Outil motorisé multi-fonctions sans fil)
BUX360, BUX361, BUX362, UX360D, UX361D, UX362D, DUX60, XUX01, DUX18, XUX02, UX01G, GUX01

Accessoire approuvé

AVERTISSEMENT : N'utilisez jamais un accessoire non approuvé. Une association non approuvée pourrait provoquer de graves blessures.

Cet accessoire est approuvé pour être utilisé avec les accessoires suivants :

- (Rallonge d'Arbre)
LE400MP

Symboles

Vous trouverez ci-dessous les symboles susceptibles d'être utilisés pour l'appareil. Veillez à comprendre leur signification avant toute utilisation.

	Lire et respecter ce mode d'emploi.
	Redoubler de précaution et d'attention !
	Interdit !
	Attention aux lignes électriques. Risque d'électrocution.
	DANGER - Gardez vos mains à l'écart de la lame.
	Porter des gants de protection.
	Porter un casque de sécurité, des lunettes de protection et un serre-tête antibruit.
	Porter des bottes robustes à semelles antidérapantes.
	Éloigner les badauds et les animaux d'au moins 15 m de l'outil électrique.
	Éloigner les personnes et les animaux de l'aire de fonctionnement.



Surfaces chaudes - Risque de brûlures des doigts ou des mains.



Premiers secours



Niveau de puissance sonore garanti selon la directive européenne sur le bruit dans l'environnement.



Niveau de puissance sonore selon la réglementation australienne NSW sur le contrôle du bruit

Utilisations

Cet accessoire est conçu uniquement pour couper les arbrisseaux et les haies en association avec un outil motorisé approuvé. N'utilisez jamais l'accessoire à toute autre fin. Une utilisation inadéquate de l'accessoire pourrait provoquer de graves blessures.

Déclaration de conformité CE

Pour les pays européens uniquement

Nous, fabricants : **Makita Europe N.V.**, adresse commerciale : **Jan-Baptist Vinkstraat 2 3070 Kortenberg BELGIQUE**. Autorisons **Hiroshi Tsujimura** pour la compilation du fichier technique et déclarations sous notre seule responsabilité que le ou les produits ; Désignation : **Tête Taille-Haie à Perche**. Désignation du ou des types : **EN410MP**.

satisfait toutes les dispositions pertinentes de **2006/42/CE** et satisfait également toutes les dispositions pertinentes des directives CE/UE suivantes : **2000/14/CE** et est fabriqué conformément aux normes standardisées suivantes : **EN ISO 10517:2019, EN 62841-4-2:2019**. Lieu et date de déclaration : **Kortenberg, Belgique. 1. 5. 2022**
Personne responsable : **Hiroshi Tsujimura, Directeur - Makita Europe N.V.**

CONSIGNES DE SÉCURITÉ

Consignes de sécurité pour taille-haie

1. **Prenez soin de n'approcher aucune partie du corps de la lame. Ne retirez pas le matériau coupé, ni ne tenez le matériau à couper lorsque les lames sont en mouvement.** Les lames continuent de bouger même après que l'interrupteur est en position d'arrêt. Un moment d'inattention en cours d'utilisation du taille-haie peut entraîner des blessures graves.
2. **Transportez le taille-haie par la poignée avec la lame arrêtée et en prenant soin de ne pas actionner l'interrupteur d'alimentation.** En transportant correctement le taille-haie, vous diminuez le risque d'un démarrage intempestif et le risque de blessure présenté par les lames.
3. **Lors du transport ou du rangement du taille-haie, mettez toujours en place le couvre-lame.** Une manipulation correcte du taille-haie réduira le risque de blessure présenté par les lames.
4. **Lorsque vous dégagez un matériau bloqué ou dépannez l'outil, assurez-vous que tous les interrupteurs d'alimentation sont en position d'arrêt et que la batterie est retirée ou débranchée.** Le déclenchement inopiné du taille-haie pendant que vous dégagez un matériau bloqué ou dépannez l'outil peut provoquer de graves blessures corporelles.

5. **Tenez le taille-haie uniquement par ses surfaces de prise isolées, car la lame pourrait entrer en contact avec le câblage caché.** Le contact des lames avec un fil sous tension peut transmettre du courant dans les pièces métalliques exposées du taille-haie et électrocuter l'opérateur.
6. **Éloignez les cordons d'alimentation et les câbles de la zone de coupe.** Les cordons d'alimentation ou les câbles peuvent être cachés derrière les haies ou les buissons et peuvent être coupés accidentellement par la lame.
7. **N'utilisez pas le taille-haie par mauvais temps, particulièrement en cas d'orage.** Vous éviterez ainsi d'être frappé par la foudre.

Consignes de sécurité pour taille-haie télescopique

1. **Pour réduire le risque d'électrocution, n'utilisez jamais le taille-haie télescopique près d'une ligne électrique.** Le contact avec des lignes électriques ou l'utilisation près de lignes électriques présente un risque de blessures graves ou d'électrocution pouvant entraîner la mort.
2. **Servez-vous toujours de vos deux mains lorsque vous utilisez le taille-haie télescopique.** Tenez le taille-haie télescopique des deux mains pour éviter toute perte de contrôle.
3. **Portez toujours un casque de sécurité lorsque vous utilisez le taille-haie télescopique au-dessus de votre tête.** La chute de débris peut provoquer de graves blessures corporelles.

CONSIGNES DE SÉCURITÉ IMPORTANTES

⚠️ AVERTISSEMENT : Lisez toutes les consignes de sécurité et toutes les instructions de ce livret et du mode d'emploi de l'outil motorisé. Il y a risque d'électrocution, d'incendie et/ou de graves blessures si les mises en garde et les instructions ne sont pas respectées.

⚠️ AVERTISSEMENT : Conservez toutes les mises en garde et instructions pour référence ultérieure.

Les termes « taille-haie » et « appareil » mentionnés dans les mises en garde et les précautions se rapportent à l'association de l'accessoire et de l'outil motorisé.

Le terme « moteur » mentionné dans les mises en garde et les précautions se rapporte au moteur à essence ou au moteur électrique de l'outil motorisé.

Précautions générales

1. Avant de mettre en marche le taille-haie, lisez ce livret et le mode d'emploi de l'outil motorisé pour vous familiariser avec le maniement du taille-haie.
2. Ne prêtez pas l'accessoire à une personne ayant une expérience ou une expertise insuffisante en matière de maniement de taille-haies.
3. Lorsque vous prêtez l'accessoire, joignez toujours ce mode d'emploi.
4. Ne laissez pas les enfants ou les mineurs utiliser le taille-haie. Tenez-les à l'écart du taille-haie.
5. Soyez toujours très prudent et attentif lorsque vous manipulez le taille-haie.
6. N'utilisez jamais le taille-haie sous l'emprise de l'alcool, de drogues ou de médicaments, ou si vous êtes fatigué ou malade.
7. N'essayez jamais de modifier l'accessoire.
8. Respectez la réglementation applicable au maniement des taille-haies dans votre pays.

Équipement de protection individuel

► Fig.1

1. Portez un casque de sécurité, des lunettes à coques et des gants de protection pour vous protéger des projections de débris ou des chutes d'objets.
2. Portez des protections auditives comme des coquilles anti-bruit afin d'éviter une perte d'audition.
3. Portez des vêtements et des chaussures permettant une utilisation sécuritaire, comme une combinaison de travail et des chaussures robustes anti-dérapantes. Ne portez pas de vêtements amples ni de bijoux. Les pièces en mouvement peuvent happer les vêtements amples, les bijoux ou les cheveux longs.
4. Lorsque vous touchez les lames ou ajustez l'angle des lames, portez des gants de protection. Les lames peuvent gravement couper les mains nues.

Sécurité de l'aire de travail

⚠️ AVERTISSEMENT : Tenez le taille-haie à l'écart des lignes électriques et des câbles de communication. Le contact du taille-haie ou la proximité avec des lignes haute tension peut provoquer des blessures graves, voire mortelles. Surveillez les lignes haute tension et les clôtures électriques autour de l'aire de travail avant de mettre en marche l'outil.

⚠️ AVERTISSEMENT : L'utilisation de ce produit peut créer de la poussière contenant des produits chimiques susceptibles de provoquer des maladies respiratoires ou autres. Parmi ces produits chimiques, on trouve des composés présents dans les pesticides, insecticides, fertilisants et herbicides. Le risque présenté par l'exposition à ces produits varie en fonction de la fréquence de ce type de travail. Pour réduire votre degré d'exposition à ces produits chimiques : travaillez dans une aire de travail bien aérée et en utilisant des dispositifs de sécurité approuvés, comme des masques anti-poussière spécialement conçus pour filtrer les particules microscopiques.

1. Utilisez uniquement le taille-haie si vous avez une bonne visibilité et à la lumière du jour. N'utilisez pas le taille-haie dans l'obscurité ou le brouillard.
2. Ne démarrez et ne faites tourner le moteur qu'à l'extérieur dans un endroit bien aéré. Faire fonctionner l'outil dans un endroit confiné ou mal aéré peut entraîner la mort par asphyxie ou empoisonnement au monoxyde de carbone.
3. Pendant le fonctionnement, ne vous tenez jamais sur une surface instable ou glissante ou sur une pente abrupte. En hiver, faites attention au verglas et à la neige et assurez-vous toujours d'avoir une bonne assise.
4. Pendant le fonctionnement, éloignez les badauds ou les animaux d'au moins 15 m du taille-haie. Coupez le moteur aussitôt que quelqu'un s'approche.
5. Avant toute utilisation, examinez l'aire de travail pour vous assurer qu'elle ne présente pas de fils barbelés, pierres ou d'autres objets durs. Ils peuvent endommager les lames.

Mise en service

1. Avant d'assembler ou de régler l'appareil, coupez le moteur et retirez le capuchon de la bougie d'allumage ou la batterie.
2. Avant d'assembler les lames ou de régler l'angle de coupe, portez des gants de protection.
3. Avant de démarrer le moteur, inspectez l'appareil pour vous assurer qu'il n'est pas endommagé, mal assemblé ou que les vis/écrous sont desserrés. Remplacez les lames si elles sont fissurées, tordues ou abîmées. Vérifiez que tous les leviers de commande et les interrupteurs fonctionnent sans problème. Nettoyez et séchez les poignées.
4. N'essayez jamais de démarrer le moteur si l'appareil est endommagé ou pas entièrement assemblé. Vous risqueriez autrement de gravement vous blesser.
5. Réglez la bandoulière et la poignée selon la corpulence de l'utilisateur.

Fonctionnement

1. En cas d'urgence, coupez immédiatement le moteur.
2. Si vous détectez une anomalie (par exemple, bruit ou vibration) en cours de fonctionnement, coupez le moteur. N'utilisez pas le taille-haie tant que la cause n'est pas connue et résolue.
3. Les lames continuent de bouger pendant un bref instant après avoir relâché la commande des gaz ou coupé le moteur. Ne vous précipitez pas pour toucher les lames.
4. Ne fixez la bandoulière qu'avec le moteur tournant au ralenti.
5. Pendant le fonctionnement, utilisez la bandoulière. Maintenez fermement le taille-haie contre vous du côté droit.

► Fig.2

6. Tenez la poignée avant de la main gauche et la poignée arrière de la main droite que vous soyez droitier ou gaucher. Enveloppez les poignées avec vos doigts et vos pouces.
7. N'essayez jamais de faire fonctionner l'appareil d'une main. Une perte de maîtrise peut entraîner des blessures graves, voire mortelles. Afin de réduire le risque de coupures, tenez vos mains et vos pieds à l'écart des lames.
8. Ne vous penchez pas trop loin. Maintenez constamment une bonne assise et un bon équilibre. Soyez attentif aux obstacles cachés comme les souches d'arbre, racines ou fossés pour éviter de trébucher. Débarrassez-vous des branches tombées et autres objets.
9. Ne travaillez jamais depuis une échelle ou un arbre pour éviter de perdre le contrôle.
10. Ne tenez pas la machine au-dessus du niveau de votre épaule.

11. En cours de fonctionnement, ne cognez pas les lames contre des obstacles durs comme des pierres ou des métaux. Redoublez de précaution lorsque vous coupez des haies proches ou contre du fil barbelé. Lorsque vous travaillez près du sol, veillez à ce que du sable, des gravillons ou des pierres ne s'immiscent pas entre les lames.
12. Si les lames entrent en contact avec des pierres ou d'autres objets durs, coupez immédiatement le moteur et vérifiez que les lames ne sont pas abîmées après avoir retiré la bougie d'allumage ou la batterie. Si les lames sont abîmées, remplacez-les.
13. Si des branches épaisses se prennent dans les lames, coupez immédiatement le moteur, posez le taille-haie par terre, puis enlevez ce qui cause l'obstruction après avoir retiré la bougie d'allumage ou la batterie. Vérifiez que les lames ne sont pas abîmées avant de réutiliser l'appareil.
14. Ne touchez ni n'approchez jamais des lames en mouvement. Les lames peuvent facilement vous couper un doigt. Lorsque vous manipulez les lames ou réglez l'angle des lames, coupez le moteur et retirez le capuchon de la bougie d'allumage ou la batterie.
15. Si vous poussez le moteur avec les lames bloquées, la charge augmente, ce qui risque d'endommager le moteur et/ou l'embrayage.
16. Vérifiez fréquemment au cours du fonctionnement que les lames de coupe ne présentent pas de fissures ou d'arêtes émoussées. Avant l'inspection, coupez le moteur et attendez l'arrêt complet des lames. Remplacez immédiatement les lames si elles sont abîmées ou émoussées, même si elles ne présentent que des fissures superficielles.
17. Si l'appareil subit un choc violent ou tombe, vérifiez son état avant de poursuivre la tâche. Vérifiez que le système de carburant ne fuit pas et que les commandes et les dispositifs de sécurité fonctionnent correctement. En cas de dommage ou de doute, confiez l'inspection et la réparation à notre service après-vente agréé.
18. Ne touchez pas le boîtier d'engrenage. Le boîtier d'engrenage chauffe pendant l'utilisation.
19. Reposez-vous régulièrement pour empêcher la perte du contrôle due à la fatigue. Nous recommandons de faire une pause de 10 à 20 minutes toutes les heures.
20. Lorsque vous abandonnez l'appareil, même pendant un court instant, coupez toujours le moteur ou retirez la batterie. Un appareil sans surveillance dont le moteur tourne peut être utilisé par une personne non autorisée et provoquer de graves accidents.
21. Avant la coupe, tirez à fond sur la commande des gaz pour obtenir la vitesse maximale.
22. Respectez le mode d'emploi de l'outil motorisé pour une utilisation correcte du levier de commande et de l'interrupteur.
23. En cours de fonctionnement et après, ne posez pas l'appareil encore chaud sur de l'herbe sèche ou un matériau combustible.

Transport

1. Avant de transporter l'appareil, coupez le moteur et retirez le capuchon de la bougie d'allumage ou la batterie. Fixez toujours le couvre-lame pendant le transport.
2. Transportez l'appareil à l'horizontale en le tenant par l'arbre. Éloignez le silencieux chaud de votre corps.
3. Lors du transport de l'appareil dans un véhicule, fixez-le correctement pour éviter qu'il ne se retourne. Autrement, il pourrait en résulter un renversement du carburant, des dégâts à l'appareil et autres dommages.

Entretien

1. Avant de réaliser une tâche d'entretien ou de réparation ou le nettoyage de l'appareil, coupez toujours le moteur et retirez le capuchon de la bougie d'allumage ou la batterie. Patientez jusqu'à ce que le moteur devienne froid.
2. Pour réduire le risque d'incendie, ne dépannez pas l'appareil près d'un feu.
3. Portez toujours des gants de protection pour manipuler les lames.
4. Retirez toujours la poussière et la saleté de l'appareil. N'utilisez jamais d'essence, benzine, diluant, alcool ou autre produit similaire à cet effet. Ils présentent un risque de décoloration, de déformation ou de fissuration des pièces en plastique.
5. Après chaque utilisation, serrez toutes les vis et tous les écrous, sauf les vis de réglage du carburateur.
6. Maintenez bien aiguisé l'outil de coupe. Si les lames de coupe sont émoussées et la performance de coupe médiocre, demandez à notre service après-vente agréé d'affûter les lames.
7. Ne réparez jamais les lames tordues ou cassées en les redressant ou en les soudant. Les pièces des lames risqueraient de se détacher provoquant par là de graves blessures. Prenez contact avec notre service après-vente agréé pour remplacer les lames par des lames de marque Makita.

8. N'essayez pas de réaliser des procédures d'entretien ou de réparation non décrites dans ce livret ou le mode d'emploi de l'outil motorisé. Ces tâches doivent être effectuées par notre service après-vente agréé.
9. Utilisez toujours des pièces de rechange et accessoires de marque Makita uniquement. L'utilisation de pièces ou accessoires fournis par un tiers peut entraîner la panne de l'appareil, des dommages matériels et/ou corporels graves.
10. Confiez régulièrement l'inspection et l'entretien du taille-haie à notre service après-vente agréé.

Rangement

1. Avant de ranger l'appareil, procédez à un nettoyage et un entretien complets. Fixez le couvre-lame.
2. Rangez l'appareil dans un endroit sec en hauteur ou verrouillé hors de la portée des enfants.
3. N'appuyez pas l'appareil contre un mur, par exemple. Le taille-haie risquerait de tomber brusquement et de provoquer des blessures.

Premiers secours

1. Ayez toujours une trousse de premiers soins à portée de main. Faites en sorte que la trousse soit toujours complète.
2. **Lorsque vous appelez les secours, fournissez les informations suivantes :**
 - Le lieu de l'accident
 - Les circonstances de l'accident
 - Le nombre de personnes blessées
 - La nature de la blessure
 - Votre nom

DESCRIPTION DES PIÈCES

► Fig.3

1	Lames	2	Boîtier d'engrenage	3	Capuchon	4	Couvre-lame
---	-------	---	---------------------	---	----------	---	-------------

ASSEMBLAGE

⚠ AVERTISSEMENT : Avant d'assembler ou de régler l'appareil, coupez le moteur et retirez le capuchon de la bougie d'allumage ou la batterie. Les lames ou d'autres pièces pourraient autrement bouger et provoquer de graves blessures.

⚠ AVERTISSEMENT : Avant de manipuler ou de travailler sur les lames, portez des gants de protection et posez le couvre-lame sur les lames. Autrement, les lames peuvent gravement couper les mains nues.

⚠ AVERTISSEMENT : Lorsque vous assemblez ou réglez l'appareil, posez-le toujours par terre. Si vous assemblez ou réglez l'appareil en le tenant debout, vous risqueriez de vous blesser.

⚠ AVERTISSEMENT : Suivez les mises en garde et les précautions du chapitre « Consignes de sécurité » et le mode d'emploi de l'outil motorisé.

⚠ AVERTISSEMENT : Avant d'utiliser l'équipement, assurez-vous que le levier de verrouillage est serré.

Fixation de l'accessoire à un outil motorisé

Pour fixer l'accessoire à un outil motorisé, suivez les étapes ci-dessous.

1. Assurez-vous que le levier de verrouillage n'est pas serré.
2. Alignez la goupille sur le repère fléché.
3. Insérez l'arbre dans l'arbre d'entraînement de l'outil motorisé jusqu'à la ligne de position, et le bouton de dégagement se soulève.
4. Serrez fermement le levier de verrouillage comme illustré.

Pour retirer l'accessoire, desserrez le levier de verrouillage en le tournant dans le sens inverse, puis appuyez sur le bouton de verrouillage et retirez l'arbre.

► Fig.4: 1. Levier de verrouillage 2. Goupille 3. Repère fléché 4. Ligne de position 5. Bouton de dégagement

REMARQUE : Ne serrez pas le levier de verrouillage sans avoir inséré l'arbre de l'accessoire. Le levier de verrouillage pourrait autrement trop serrer l'entrée de l'arbre d'entraînement et l'endommager.

UTILISATION

⚠AVERTISSEMENT : Si les lames bougent au ralenti, baissez la vitesse de ralenti du moteur. Autrement, vous pourriez ne pas être en mesure d'arrêter les lames avec la commande des gaz relâchée et vous risqueriez de gravement vous blesser.

⚠AVERTISSEMENT : Suivez les mises en garde et les précautions du chapitre « CONSIGNES DE SÉCURITÉ IMPORTANTES » et le mode d'emploi de l'outil motorisé.

Coupe horizontale

Pour couper des haies à l'horizontale, suivez les étapes ci-dessous.

1. Tirez à fond sur la commande des gaz.
 2. Placez les lames contre la haie dans un angle de 15° à 30°.
 3. Coupez la haie dans un mouvement oscillant de droite à gauche.
- Fig.5

Coupe verticale

Pour couper des haies à la verticale, suivez les étapes ci-dessous.

1. Tirez à fond sur la commande des gaz.
 2. Placez les lames parallèles à la haie.
 3. Coupez la haie dans un mouvement oscillant de bas en haut.
- Fig.6

ENTRETIEN

⚠AVERTISSEMENT : Avant l'inspection ou l'entretien de l'appareil, coupez le moteur et retirez le capuchon de la bougie d'allumage ou la batterie. Les lames ou d'autres pièces pourraient autrement bouger et provoquer de graves blessures.

⚠AVERTISSEMENT : Avant de manipuler ou de travailler sur les lames, portez des gants de protection et posez le couvre-lame sur les lames. Pendant l'assemblage ou le réglage, vos doigts pourraient entrer en contact avec les lames et vous risqueriez de gravement vous blesser.

⚠AVERTISSEMENT : Lors de l'inspection ou l'entretien de l'appareil, posez toujours l'appareil par terre. Si vous assemblez ou réglez l'appareil en le tenant debout, vous risqueriez de vous blesser.

⚠AVERTISSEMENT : Suivez les mises en garde et les précautions du chapitre « CONSIGNES DE SÉCURITÉ IMPORTANTES » et le mode d'emploi de l'outil motorisé.

Inspection des lames

Vérifiez quotidiennement que les lames ne sont pas abîmées, fissurées ou émoussées. Confiez le remplacement des lames abîmées ou l'affûtage des lames émoussées à notre service après-vente agréé.

Réglage du jeu entre les lames

Les lames supérieures/inférieures s'usent progressivement avec l'usage. Si vous n'obtenez pas une coupe nette alors que les lames sont suffisamment tranchantes, réglez le jeu comme suit. Le jeu entre les lames dépend du serrage du boulon hexagonal. L'écrou retient le boulon hexagonal de manière plus ou moins serrée. Un jeu trop important provoque une coupe impropre, tandis qu'un jeu trop faible entraîne une chaleur inutile et une usure précoce des lames.

1. Desserrez les écrous avec une clé.
 2. Serrez légèrement les boulons hexagonaux jusqu'à ce qu'ils s'arrêtent. Puis resserrez-les d'un quart à un demi-tour chacun pour obtenir le jeu nécessaire.
 3. Tenez les boulons hexagonaux et serrez les écrous.
 4. Appliquez une huile légère sur la surface de friction des lames.
 5. Démarrez le moteur, puis poussez et relâchez la commande des gaz pendant une minute.
 6. Mesurez le temps nécessaire à l'arrêt des lames après avoir relâché la commande des gaz. S'il faut plus de deux secondes, coupez le moteur et répétez les étapes 1 à 6.
 7. Coupez le moteur et touchez la surface des lames. Si elles ne sont pas trop chaudes au toucher, le réglage est correct. Si elles sont trop chaudes, desserrez un peu les boulons hexagonaux et répétez les étapes 5 à 7.
- Fig.7: 1. Écrou 2. Boulon hexagonal 3. Plaque 4. Protecteur de lame 5. Lame supérieure 6. Lame inférieure

Lubrification des pièces mobiles

REMARQUE : Suivez les instructions sur la fréquence et la quantité de graisse fournie. Autrement une lubrification insuffisante pourrait endommager les pièces mobiles.

► Fig.8

Boîtier d'engrenage :

Appliquez de la graisse toutes les 25 heures de fonctionnement.

1. L'orifice de graissage se situe sous le boulon. Enlevez le boulon pour procéder à la lubrification.
2. Ajoutez environ 5 g (7 cc) de graisse dans l'orifice de graissage.
3. Remettez le boulon en place après la lubrification.

► Fig.9: 1. Orifice de graissage

NOTE : Après avoir rempli la quantité correcte de graisse, celle-ci coulera un peu de la base de la lame lors de la première utilisation.

Axe d'entraînement :

Appliquez de la graisse toutes les 25 heures de fonctionnement.

Inspection générale

- Serrez les boulons, écrous et vis desserrés.
- Vérifiez que les pièces et les lames ne sont pas abîmées. Au besoin, confiez leur remplacement à notre service après-vente agréé.

Rangement

⚠AVERTISSEMENT : Suivez les mises en garde et les précautions du chapitre « CONSIGNES DE SÉCURITÉ IMPORTANTES » et le mode d'emploi de l'outil motorisé.

Lorsque vous rangez la tête taille-haie à perche séparément de l'outil motorisé, placez le capuchon sur l'extrémité de l'arbre.

► Fig.10

INTERVALLE D'ENTRETIEN

		Avant le fonctionnement	Quotidien (10 h)	25 h	Si nécessaire
Ensemble de l'appareil	Vérifiez visuellement si les pièces ne sont pas abîmées	○	-	-	-
Tous les écrous et vis de fixation	Serrer	○	-	-	-
Lames	Vérifiez si les lames ne sont pas abîmées, fissurées ou émoussées	-	○	-	-
	Réglez le jeu	-	-	-	○
Boîtier d'engrenage	Appliquez de la graisse	-	-	○	-
Axe d'entraînement	Appliquez de la graisse	-	-	○	-
Outil motorisé	Consultez le mode d'emploi de l'outil motorisé				

GUIDE DE DÉPANNAGE

État d'anomalie	Cause probable (dysfonctionnement)	Solution
Le moteur ne démarre pas.	Consultez le mode d'emploi de l'outil motorisé.	Consultez le mode d'emploi de l'outil motorisé.
Le moteur s'arrête aussitôt après avoir démarré.	Consultez le mode d'emploi de l'outil motorisé.	Consultez le mode d'emploi de l'outil motorisé.
La vitesse maximale est limitée.	Consultez le mode d'emploi de l'outil motorisé.	Consultez le mode d'emploi de l'outil motorisé.
Les lames ne bougent pas. ⇒ Coupez immédiatement le moteur !	Angle inapproprié de l'outil de coupe.	Assurez-vous que le blocage de l'angle s'enclenche correctement.
Les lames ne bougent pas. ⇒ Coupez immédiatement le moteur !	Une petite branche est prise dans les lames.	Enlevez le corps étranger.
Les lames ne bougent pas. ⇒ Coupez immédiatement le moteur !	Le mécanisme d'entraînement ne fonctionne pas correctement.	Confiez son inspection et sa réparation à notre service après-vente agréé.
L'unité vibre anormalement. ⇒ Coupez immédiatement le moteur !	Le mécanisme d'entraînement ne fonctionne pas correctement.	Confiez son inspection et sa réparation à notre service après-vente agréé.
Les lames ne s'arrêtent pas. ⇒ Coupez immédiatement le moteur !	L'outil motorisé ne fonctionne pas correctement.	Consultez le mode d'emploi de l'outil motorisé.

ACCESSOIRES EN OPTION

ATTENTION : Ces accessoires ou pièces complémentaires sont recommandés pour l'utilisation avec l'outil Makita spécifié dans ce mode d'emploi. L'utilisation de tout autre accessoire ou pièce complémentaire peut comporter un risque de blessure. N'utilisez les accessoires ou pièces complémentaires qu'aux fins auxquelles ils ont été conçus.

Pour obtenir plus de détails sur ces accessoires, contactez votre centre d'entretien local Makita.

- Jeu de lames

NOTE : Il se peut que certains éléments de la liste soient compris dans l'emballage de l'outil en tant qu'accessoires standard. Ils peuvent varier d'un pays à l'autre.

TECHNISCHE DATEN

Modell:	EN410MP
Abmessungen (L x B x H)	1.104 mm x 85 mm x 61 mm (43-1/2" x 3-3/8" x 2-3/8")
Nettogewicht	2,0 kg (4,5 lbs)
Effektive Schnittlänge	490 mm (19-1/4")
Übersetzungsverhältnis	1: 4,7

- Wir behalten uns vor, Änderungen der technischen Daten im Zuge der Entwicklung und des technischen Fortschritts ohne vorherige Ankündigung vorzunehmen.
- Die technischen Daten können von Land zu Land unterschiedlich sein.

Zugelassenes Antriebsaggregat

!WARNUNG: Benutzen Sie den Aufsatz niemals mit einem nicht zugelassenen Antriebsaggregat. Eine nicht zugelassene Kombination kann schwere Verletzungen verursachen.

Dieser Aufsatz ist nur für den Einsatz mit dem (den) folgenden Antriebsaggregat(en) zugelassen:

- (Multifunktions-Antriebskopf)
EX2650LH
- (Schnurloser Multifunktions-Antriebskopf)
BUX360, BUX361, BUX362, UX360D, UX361D, UX362D, DUX60, XUX01, DUX18, XUX02, UX01G, GUX01

Zugelassene Aufsätze

!WARNUNG: Verwenden Sie keinesfalls einen nicht zugelassenen Aufsatz. Eine nicht zugelassene Kombination kann schwere Verletzungen verursachen.

Dieser Aufsatz ist nur für den Einsatz mit dem (den) folgenden Aufsatz (Aufsätzen) zugelassen:

- (Schaftverlängerung)
LE400MP

Symbole

Nachfolgend werden Symbole beschrieben, die für das Gerät verwendet werden können. Machen Sie sich unbedingt vor der Benutzung mit ihrer Bedeutung vertraut.

	Lesen und befolgen Sie die Gebrauchsanleitung.
	Besondere Umsicht und Aufmerksamkeit erforderlich!
	Verboten!
	Vorsicht vor elektrischen Leitungen. Stromschlaggefahr.
	GEFAHR- Halten Sie Ihre Hände vom Messer fern.
	Schutzhandschuhe tragen.
	Schutzhelm, Schutzbrille und Gehörschutz tragen.
	Feste Schuhe mit rutschfesten Sohlen tragen.
	Umstehende und Tiere mindestens 15 m vom kraftbetriebenen Werkzeug entfernt halten.
	Den Arbeitsbereich von Personen und Tieren frei halten.

	Heiße Oberflächen - Verbrennungen von Fingern oder Händen.
	Erste Hilfe
	Garantierter Schalleistungspegel gemäß der EU-Richtlinie über Außenlärm.
	Schalleistungspegel gemäß der australischen NSW-Lärmschutzverordnung

Verwendungszweck

Dieser Aufsatz ist ausschließlich zum Beschneiden von Buschwerk und Hecken in Verbindung mit einem zugelassenen Antriebsaggregat vorgesehen. Benutzen Sie den Aufsatz niemals für andere Zwecke. Missbrauch des Aufsatzes kann schwere Verletzungen verursachen.

EG-Konformitätserklärung

Nur für europäische Länder

Wir als die Hersteller: **Makita Europe N.V.**, Geschäftsadresse: **Jan-Baptist Vinkstraat 2 3070 Kortenberg BELGIEN**. Beauftragen **Hiroshi Tsujimura** mit der Zusammenstellung der technischen Dokumentation und erklären unter unserer alleinigen Verantwortung, dass das (die) Produkt(e); Bezeichnung: **Heckenscheren-Aufsatz** Bezeichnung des (der) Typs (Typen): **EN410MP**

Erfüllt alle relevanten Vorschriften von **2006/42/EG** sowie alle relevanten Vorschriften der folgenden EG/EU-Richtlinien: **2000/14/EC** und sind gemäß den folgenden harmonisierten Normen gefertigt: **EN ISO 10517:2019, EN 62841-4-2:2019**.

Ort und Datum der Erklärung: **Kortenberg, Belgien. 1. 5. 2022**
Verantwortliche Person: **Hiroshi Tsujimura, Direktor - Makita Europe N.V.**

SICHERHEITSWARNUNGEN

Sicherheitswarnungen für Heckenschere

- Halten Sie alle Körperteile vom Messer fern. Versuchen Sie nicht, abgeschnittenes Material zu entfernen oder zu schneiden. Das Material zu halten, während die Messer sich bewegen.** Die Messer bewegen sich nach dem Ausschalten des Schalters noch weiter. Ein Augenblick der Unachtsamkeit während der Benutzung der Heckenschere kann zu schweren Personenschäden führen.
- Tragen Sie die Heckenschere bei still stehendem Messer am Handgriff, und achten Sie darauf, keinen Ein-Aus-Schalter zu betätigen.** Sachgemäßes Tragen der Heckenschere verringert die Gefahr von versehentlichem Starten und daraus resultierenden Personenschäden durch die Messer.
- Bringen Sie beim Transportieren oder Lagern der Heckenschere immer die Messerabdeckung an.** Sachgemäße Handhabung der Heckenschere verringert die Gefahr von Personenschäden durch die Messer.
- Vergewissern Sie sich vor dem Beseitigen von eingeklemmtem Material oder dem Warten des Gerätes, dass alle Ein-Aus-Schalter ausgeschaltet sind und der Akku abgenommen oder abgetrennt ist.** Unerwartete Betätigung der Heckenschere beim Beseitigen von eingeklemmtem Material oder Warten kann zu schweren Personenschäden führen.

5. **Halten Sie die Heckenschere nur an den isolierten Griffflächen, wenn die Gefahr besteht, dass das Messer verborgene Kabel kontaktiert.** Bei Kontakt der Messer mit einem Strom führenden Kabel können die freiliegenden Metallteile der Heckenschere ebenfalls Strom führend werden, so dass der Benutzer einen elektrischen Schlag erleiden kann.
6. **Halten Sie alle Netzkabel und Kabel vom Schneidbereich fern.** Netzkabel oder Kabel können in Hecken oder Büschen verborgen sein und versehentlich durch das Messer abgeschnitten werden.
7. **Benutzen Sie die Heckenschere nicht bei schlechten Witterungsverhältnissen, besonders bei Blitzschlaggefahr.** Dadurch wird die Blitzschlaggefahr verringert.

Sicherheitswarnungen für Heckenschneider mit verlängerter Reichweite

1. **Um die Stromschlaggefahr zu verringern, benutzen Sie die Heckenschere mit verlängerter Reichweite niemals in der Nähe von Starkstromleitungen.** Bei Kontakt mit oder Benutzung in der Nähe von Starkstromleitungen besteht die Gefahr einer schweren Verletzung oder eines elektrischen Schlags, die zum Tod führen können.
2. **Halten Sie den Heckenschneider mit verlängerter Reichweite während des Betriebs immer mit zwei Händen.** Halten Sie den Heckenschneider mit verlängerter Reichweite mit beiden Händen, um Verlust der Kontrolle zu vermeiden.
3. **Tragen Sie stets einen Kopfschutz, wenn Sie den Heckenschneider mit verlängerter Reichweite über Kopf betreiben.** Herunterfallende Fremdkörper können zu schweren Personenschäden führen.

WICHTIGE SICHERHEITSVORSCHRIFTEN

⚠️ WARNUNG: Lesen Sie alle Sicherheitswarnungen und Anweisungen in dieser Broschüre und in der Gebrauchsanleitung des Antriebsaggregats durch. Eine Missachtung der Warnungen und Anweisungen kann zu einem elektrischen Schlag, Brand und/oder schweren Verletzungen führen.

⚠️ WARNUNG: Bewahren Sie alle Warnungen und Anweisungen für spätere Bezugnahme auf.

Der Ausdruck „Heckenschere“ und „Gerät“ in den Warn- und Vorsichtshinweisen bezieht sich auf die Kombination von Aufsatz und Antriebsaggregat.

Der Ausdruck „Motor“ in den Warn- und Vorsichtshinweisen bezieht sich auf den Verbrennungsmotor bzw. Elektromotor des Antriebsaggregats.

Allgemeine Vorsichtsmaßnahmen

1. Bevor Sie die Heckenschere in Betrieb nehmen, sollten Sie diese Broschüre und die Gebrauchsanleitung des Antriebsaggregats durchlesen, um sich mit der Handhabung der Heckenschere vertraut zu machen.
2. Leihen Sie den Aufsatz keiner Person mit ungenügender Erfahrung oder Kenntnissen bezüglich der Handhabung von Heckenscheren.
3. Wenn Sie den Aufsatz verleihen, fügen Sie stets diese Gebrauchsanleitung bei.
4. Lassen Sie nicht zu, dass Kinder oder Jugendliche unter 18 Jahren die Heckenschere benutzen. Halten Sie solche Personen von der Heckenschere fern.
5. Behandeln Sie die Heckenschere mit äußerster Sorgfalt und Aufmerksamkeit.
6. Benutzen Sie die Heckenschere niemals nach der Einnahme von Alkohol oder Medikamenten, oder wenn Sie sich müde oder krank fühlen.
7. Versuchen Sie niemals, den Aufsatz zu modifizieren.
8. Befolgen Sie die Vorschriften über die Handhabung von Heckenscheren in Ihrem Land.

Persönliche Schutzausrüstung

► Abb.1

1. Tragen Sie einen Schutzhelm, eine Schutzbrille und Schutzhandschuhe, um sich vor zersplitterndem Unrat oder fallenden Gegenständen zu schützen.
2. Tragen Sie einen Gehörschutz, wie z. B. Ohrenschützer, um eine Gehörschädigung zu verhindern.
3. Tragen Sie sachgerechte Kleidung und Schuhe für sicheren Betrieb, wie z. B. einen Arbeitsoverall und robustes, rutschfestes Schuhwerk. Tragen Sie keine lose Kleidung oder Schmuck. Lose Kleidung, Schmuck oder langes Haar kann sich in beweglichen Teilen verfangen.

4. Tragen Sie Schutzhandschuhe, wenn Sie die Messer berühren oder den Messerwinkel einstellen müssen. Die Messer können schwere Verletzungen an bloßen Händen verursachen.

Sicherheit im Arbeitsbereich

⚠️ WARNUNG: Halten Sie die Heckenschere von elektrischen Leitungen und Kommunikationskabeln fern. Eine Berührung von oder Annäherung an Hochspannungsleitungen mit der Heckenschere kann zum Tod oder schweren Verletzungen führen. Achten Sie auf Starkstromleitungen und elektrische Zäune im Umfeld des Arbeitsbereichs, bevor Sie mit der Arbeit beginnen.

⚠️ WARNUNG: Durch die Benutzung dieses Produkts kann Staub aufgewirbelt werden, der Chemikalien enthält, die Erkrankungen der Atemwege oder andere Krankheiten verursachen können. Beispiele solcher Chemikalien sind Stoffe, die in Pestiziden, Insektiziden, Düngemitteln und Herbiziden anzutreffen sind. Ihre Gefährdung durch den Umgang mit solchen Chemikalien hängt davon ab, wie oft Sie diese Arbeiten verrichten. Um Ihre Gefährdung durch diese Chemikalien zu reduzieren: Arbeiten Sie in gut belüfteter Umgebung, und verwenden Sie geprüfte Sicherheitsvorrichtungen, wie z. B. Staubmasken, die mikroskopische Teilchen herausfiltern.

1. Betreiben Sie die Heckenschere nur unter guten Sichtverhältnissen und bei Tageslicht. Betreiben Sie die Heckenschere nicht bei Dunkelheit oder Nebel.
2. Starten und betreiben Sie den Motor nur im Freien in gut belüfteter Umgebung. Der Betrieb in einem geschlossenen oder schlecht belüfteten Raum kann zum Tod durch Ersticken oder Kohlenmonoxidvergiftung führen.
3. Stellen Sie sich während der Arbeit niemals auf eine instabile oder schlüpfrige Fläche oder einen steilen Hang. Nehmen Sie sich während der kalten Jahreszeit vor Eis und Schnee in Acht, und achten Sie stets auf sicheren Stand.
4. Halten Sie Umstehende oder Tiere während der Arbeit mindestens 15 m von der Heckenschere entfernt. Stellen Sie den Motor ab, sobald jemand sich nähert.
5. Untersuchen Sie den Arbeitsbereich vor Arbeitsbeginn auf Drahtzäune, Steine oder andere feste Objekte. Diese können eine Beschädigung der Messer verursachen.

Inbetriebnahme

1. Bevor Sie das Gerät zusammenbauen oder einstellen, stellen Sie den Motor ab, und entfernen Sie den Zündkerzenstecker bzw. den Akku.
2. Tragen Sie Schutzhandschuhe, bevor Sie die Messer zusammenbauen oder den Schnittwinkel einstellen.
3. Überprüfen Sie das Gerät auf Beschädigung, lose Schrauben/Muttern oder falschen Zusammenbau, bevor Sie den Motor starten. Tauschen Sie die Messer aus, falls sie gerissen, verbogen oder beschädigt sind. Überprüfen Sie alle Bedienungshebel und Schalter auf Leichtgängigkeit. Säubern und trocknen Sie die Handgriffe.
4. Versuchen Sie niemals, den Motor zu starten, wenn das Gerät beschädigt oder nicht vollständig zusammengesetzt ist. Anderenfalls kann es zu ernsthaften Verletzungen kommen.
5. Stellen Sie den Schultergurt und den Handgriff auf die Körpergröße des Bedieners ein.

Betrieb

1. Schalten Sie den Motor im Notfall unverzüglich aus.
2. Falls Sie während des Betriebs einen ungewöhnlichen Zustand (z. B. Geräusche, Vibrationen) feststellen, schalten Sie den Motor aus. Benutzen Sie die Heckenschere erst wieder, nachdem die Ursache festgestellt und behoben worden ist.
3. Die Messer bewegen sich noch kurzzeitig weiter, nachdem der Gasabzug losgelassen oder der Motor ausgeschaltet worden ist. Berühren Sie daher die Messer nicht voreilig.
4. Legen Sie den Schultergurt an, während der Motor nur im Leerlauf läuft.
5. Benutzen Sie den Schultergurt während des Betriebs. Halten Sie die Heckenschere sicher auf Ihrer rechten Seite.

► Abb.2

6. Halten Sie dabei den vorderen Griff mit der linken Hand und den hinteren Griff mit der rechten Hand, egal ob Sie Rechts- oder Linkshänder sind. Umschließen Sie die Griffe mit Ihren Fingern und Daumen.
7. Versuchen Sie niemals, das Gerät mit nur einer Hand zu bedienen. Ein Verlust der Kontrolle kann zu schweren oder tödlichen Verletzungen führen. Um die Gefahr von Schnittverletzungen zu verringern, halten Sie Ihre Hände und Füße von den Messern fern.

8. Übernehmen Sie sich nicht. Achten Sie stets auf sicheren Stand und gute Balance. Achten Sie auf verborgene Hindernisse, wie z. B. Baumstümpfe, Wurzeln und Gräben, um Stolpern zu vermeiden. Räumen Sie heruntergefallene Äste und andere Objekte aus dem Weg.
 9. Arbeiten Sie niemals auf einer Leiter oder einem Baum, um Verlust der Kontrolle zu vermeiden.
 10. Halten Sie die Maschine nicht über der Schulterhöhe.
 11. Stoßen Sie die Messer während des Betriebs niemals gegen harte Hindernisse, wie z. B. Steine und Metallgegenstände. Lassen Sie beim Heckenschneiden neben oder vor Drahtzäunen besondere Vorsicht walten. Wenn Sie in Bodennähe arbeiten, achten Sie darauf, dass kein Sand, Kies und auch keine Steine zwischen die Messer gelangen.
 12. Falls die Messer mit Steinen oder anderen festen Objekten in Kontakt kommen, stellen Sie sofort den Motor ab, und überprüfen Sie die Messer auf Beschädigung, nachdem Sie die Zündkerze bzw. den Akku entfernt haben. Tauschen Sie die Messer aus, falls sie beschädigt sind.
 13. Falls dicke Äste sich zwischen den Messern verklemmen, stellen Sie sofort den Motor ab, legen Sie die Heckenschere ab, und beseitigen Sie dann das Hindernis, nachdem Sie die Zündkerze bzw. den Akku entfernt haben. Überprüfen Sie die Messer auf Beschädigung, bevor Sie das Gerät wieder benutzen.
 14. Unterlassen Sie jegliche Berührung oder Annäherung an die sich bewegenden Messer. Die Messer können Ihren Finger leicht abschneiden. Bevor Sie die Messer anfassen oder den Messerwinkel einstellen, stellen Sie den Motor ab, und entfernen Sie den Zündkerzenstecker bzw. den Akku.
 15. Unterlassen Sie eine Erhöhung der Motordrehzahl bei blockierten Messern, weil dadurch die Last erhöht wird und der Motor und/oder die Kupplung beschädigt werden.
 16. Überprüfen Sie die Schneidmesser während des Betriebs öfter auf Risse oder stumpfe Schneiden. Stellen Sie vor jeder Inspektion den Motor ab, und warten Sie, bis die Messer zum vollständigen Stillstand gekommen sind. Wechseln Sie beschädigte oder stumpfe Messer unverzüglich aus, selbst wenn sie nur oberflächliche Risse aufweisen.
 17. Falls das Gerät einen schweren Aufprall oder Sturz erleidet, überprüfen Sie seinen Zustand, bevor Sie die Arbeit fortsetzen. Überprüfen Sie das Kraftstoffsystem auf Leckagen und die Bedienelemente und Sicherheitsvorrichtungen auf Fehlfunktionen. Wenn Sie einen Schaden feststellen oder Zweifel haben, wenden Sie sich zur Inspektion und Reparatur an unser autorisiertes Kundendienstzentrum.
 18. Berühren Sie nicht das Antriebsgehäuse. Das Antriebsgehäuse wird während des Betriebs heiß.
 19. Machen Sie eine Pause, um durch Müdigkeit verursachten Verlust der Kontrolle zu verhüten. Wir empfehlen, jede Stunde eine Pause von 10 bis 20 Minuten einzulegen.
 20. Wenn Sie das Gerät unbeaufsichtigt lassen, auch nur für kurze Zeit, stellen Sie stets den Motor ab bzw. entfernen Sie den Akku. Wenn Sie den Motor des unbeaufsichtigten Gerätes laufen lassen, kann das Gerät von einer unbefugten Person benutzt werden und einen schweren Unfall verursachen.
 21. Ziehen Sie den Gashebel vor dem Schneidbetrieb vollständig an, um die Maximaldrehzahl zu erreichen.
 22. Befolgen Sie die Gebrauchsanleitung des Antriebsaggregats, um ordnungsgemäße Benutzung des Steuerhebels und Steuerschalters zu gewährleisten.
 23. Legen Sie das heiße Gerät während oder nach dem Betrieb nicht auf trockenes Gras oder brennbare Materialien.
3. Tragen Sie stets Schutzhandschuhe bei der Handhabung der Messer.
 4. Säubern Sie das Gerät immer von Staub und Schmutz. Verwenden Sie auf keinen Fall Benzin, Waschbenzin, Verdünner, Alkohol oder dergleichen zu diesem Zweck. Es kann sonst zu Verfärbung, Verformung oder Rissbildung der Kunststoffteile kommen.
 5. Ziehen Sie nach jedem Gebrauch alle Schrauben und Muttern mit Ausnahme der Vergaser-Einstellschrauben fest.
 6. Halten Sie das Schneidwerkzeug scharf. Wenn die Schneidmesser stumpf und die Schnittleistung schlecht geworden sind, wenden Sie sich an unser autorisiertes Kundendienstzentrum, um die Messer schärfen zu lassen.
 7. Versuchen Sie niemals, verbogene oder gerissene Messer durch Geradebiegen oder Schweißen zu reparieren. Dadurch können sich Teile der Messer lösen und schwere Verletzungen verursachen. Wenden Sie sich an unser autorisiertes Kundendienstzentrum, um die Messer gegen Original-Makita-Messer austauschen zu lassen.
 8. Versuchen Sie nicht, Wartungs- oder Reparaturarbeiten durchzuführen, die nicht in dieser Broschüre oder in der Gebrauchsanleitung des Antriebsaggregats beschrieben sind. Überlassen Sie solche Arbeiten unserem autorisierten Kundendienstzentrum.
 9. Verwenden Sie immer nur Original-Makita-Ersatz- und Zubehörteile. Die Verwendung von Ersatz- oder Zubehörteilen von Drittherstellern kann zu einem Ausfall des Geräts, Sachschäden und/oder schweren Verletzungen führen.
 10. Lassen Sie die Heckenschere von unserem autorisierten Kundendienstzentrum in regelmäßigen Abständen überprüfen und warten.

Lagerung

1. Bevor Sie das Gerät lagern, führen Sie eine vollständige Reinigung und Wartung durch. Bringen Sie die Messerabdeckung an.
2. Lagern Sie das Gerät an einem trockenen und hohen oder abschließbaren Ort außer Reichweite von Kindern.
3. Lehnen Sie das Gerät nicht gegen eine Wand oder dergleichen. Anderenfalls kann die Heckenschere plötzlich umkippen und Verletzungen verursachen.

Erste Hilfe

1. Halten Sie stets einen Erste-Hilfe-Kasten in der Nähe. Dem Erste-Hilfe-Kasten entnommenes Material ist sofort wieder aufzufüllen.
2. **Wenn Sie Hilfe anfordern, machen Sie bitte folgende Angaben:**
 - Ort des Unfalls
 - Art des Unfalls
 - Zahl der Verletzten
 - Art der Verletzungen
 - Ihr Name

BEZEICHNUNG DER TEILE

► Abb.3

1	Messer	2	Antriebsgehäuse	3	Kappe	4	Messerabdeckung
---	--------	---	-----------------	---	-------	---	-----------------

Transport

1. Bevor Sie das Gerät transportieren, stellen Sie den Motor ab, und entfernen Sie den Zündkerzenstecker bzw. den Akku. Bringen Sie während des Transports immer die Messerabdeckung an.
2. Wenn Sie das Gerät transportieren, tragen Sie es in waagerechter Stellung, indem Sie den Welle halten. Halten Sie den heißen Schalldämpfer von Ihrem Körper fern.
3. Wenn Sie das Gerät in einem Fahrzeug transportieren, sichern Sie es ordnungsgemäß, um Überschlagen zu verhindern. Anderenfalls kann es zu Verschütten von Kraftstoff und Beschädigung des Gerätes und anderem Gepäck kommen.

Wartung

1. Bevor Sie Wartungs- oder Reparaturarbeiten durchführen oder das Gerät reinigen, stellen Sie stets den Motor ab, und entfernen Sie den Zündkerzenstecker bzw. den Akku. Warten Sie, bis der Motor abgekühlt ist.
2. Um Brandgefahr zu verringern, warten Sie das Gerät niemals in der Nähe von Feuer.

MONTAGE

⚠️ WARNUNG: Bevor Sie das Gerät zusammenbauen oder einstellen, stellen Sie den Motor ab, und entfernen Sie den Zündkerzenstecker bzw. den Akku. Anderenfalls können sich die Messer oder andere Teile bewegen und schwere Verletzungen verursachen.

⚠️ WARNUNG: Bevor Sie die Messer anfassen oder Arbeiten in ihrer Nähe ausführen, ziehen Sie Schutzhandschuhe an, und bringen Sie die Messerabdeckung an den Messern an. Anderenfalls können die Messer schwere Verletzungen an bloßen Händen verursachen.

⚠️ WARNUNG: Legen Sie das Gerät zum Zusammenbauen oder Einstellen immer hin. Wird das Gerät in aufrechter Stellung zusammengebaut oder eingestellt, kann es zu schweren Verletzungen kommen.

⚠️ WARNUNG: Befolgen Sie die Warnungen und Vorsichtsmaßnahmen im Kapitel „Sicherheitshinweise“ und in der Gebrauchsanleitung des Antriebsaggregats.

⚠️ WARNUNG: Vergewissern Sie sich vor dem Betreiben der Ausrüstung, dass der Verriegelungshebel festgezogen ist.

Montieren des Aufsatzes an einem Antriebsaggregat

Um den Aufsatz an einem Antriebsaggregat zu montieren, folgen Sie den nachstehenden Schritten.

1. Vergewissern Sie sich, dass der Verriegelungshebel gelöst ist.
2. Richten Sie den Stift auf die Pfeilmarkierung aus.
3. Führen Sie die Welle in die Antriebswelle des Antriebsaggregats ein, bis die Positionslinie und der Entriegelungsknopf herauspringen.
4. Ziehen Sie dann den Verriegelungshebel fest, wie gezeigt.

Um den Aufsatz abzunehmen, lösen Sie den Verriegelungshebel, indem Sie ihn in die entgegengesetzte Richtung drehen, und drücken Sie den Arretierknopf, um die Welle herauszuziehen.

- **Abb.4:** 1. Verriegelungshebel 2. Stift 3. Pfeilmarkierung
4. Positionslinie 5. Entriegelungsknopf

ANMERKUNG: Ziehen Sie den Verriegelungshebel nicht an, ohne dass die Welle des Aufsatzes eingeführt ist. Anderenfalls kann der Verriegelungshebel den Eingang der Antriebswelle zu sehr verengen und ihn beschädigen.

BETRIEB

⚠️ WARNUNG: Falls sich die Messer bei Leerlaufdrehzahl bewegen, verringern Sie die Leerlaufdrehzahl des Motors. Anderenfalls können die Messer bei Standgas nicht angehalten werden, was zu schweren Verletzungen führen kann.

⚠️ WARNUNG: Befolgen Sie die Warnungen und Vorsichtsmaßnahmen im Kapitel „WICHTIGE SICHERHEITSANWEISUNGEN“ und in der Gebrauchsanleitung des Antriebsaggregats.

Horizontalschnitt

Um Hecken horizontal zu schneiden, folgen Sie den nachstehenden Schritten.

1. Betätigen Sie den Gashebel vollständig.
2. Setzen Sie die Messer in einem Winkel von 15° bis 30° an die Hecke an.
3. Schneiden Sie die Hecke mit einer Schwenkbewegung von rechts nach links.

► **Abb.5**

Vertikalschnitt

Um Hecken vertikal zu schneiden, folgen Sie den nachstehenden Schritten.

1. Betätigen Sie den Gashebel vollständig.
2. Setzen Sie die Messer parallel zueinander an die Hecke an.
3. Schneiden Sie die Hecke mit einer Schwenkbewegung von unten nach oben.

► **Abb.6**

WARTUNG

⚠️ WARNUNG: Bevor Sie das Gerät überprüfen oder warten, stellen Sie den Motor ab, und entfernen Sie den Zündkerzenstecker bzw. den Akku. Anderenfalls können sich die Messer oder andere Teile bewegen und schwere Verletzungen verursachen.

⚠️ WARNUNG: Bevor Sie die Messer anfassen oder Arbeiten in ihrer Nähe ausführen, ziehen Sie Schutzhandschuhe an, und bringen Sie die Messerabdeckung an den Messern an. Während des Zusammenbaus oder der Einstellung können Ihre Finger mit den Messern in Berührung kommen, was zu schweren Verletzungen führen kann.

⚠️ WARNUNG: Legen Sie das Gerät immer ab, wenn Sie das Gerät überprüfen oder warten. Wird das Gerät in aufrechter Stellung zusammengebaut oder eingestellt, kann es zu schweren Verletzungen kommen.

⚠️ WARNUNG: Befolgen Sie die Warnungen und Vorsichtsmaßnahmen im Kapitel „WICHTIGE SICHERHEITSANWEISUNGEN“ und in der Gebrauchsanleitung des Antriebsaggregats.

Überprüfen der Messer

Überprüfen Sie die Messer täglich auf Beschädigung, Risse und stumpfe Schneiden. Wenden Sie sich an unser autorisiertes Kundendienstzentrum, um beschädigte Messer auszutauschen oder stumpfe Messer zu schärfen.

Einstellen des Messerspiels

Die oberen/unteren Messer nutzen bei Schneidarbeiten allmählich ab. Wenn Sie keinen sauberen Schnitt erhalten, obwohl die Messer scharf genug sind, stellen Sie das Spiel wie folgt ein. Die Festigkeit der Innensechskantschraube bestimmt das Spiel der Messer. Die Mutter hält die Innensechskantschraube mit einer bestimmten Festigkeit. Ein zu großes Spiel verursacht einen stumpfen Schnitt, während ein zu kleines Spiel unnötige Wärme und schnellere Abnutzung der Messer verursacht.

1. Lösen Sie die Muttern mit einem Schraubenschlüssel.
 2. Ziehen Sie die Innensechskantschrauben leicht an, bis sie aufsitzen. Drehen Sie sie dann jeweils um eine Viertel- bis halbe Umdrehung heraus, um das notwendige Spiel zu erhalten.
 3. Halten Sie die Innensechskantschrauben, während Sie die Muttern festziehen.
 4. Tragen Sie Leichtöl auf die Reibfläche der Messer auf.
 5. Starten Sie den Motor, und erhöhen und verringern Sie die Drehzahl mit dem Gashebel für eine Minute.
 6. Messen Sie die Zeit bis zum Anhalten der Messer nach dem Loslassen des Gashebels. Beträgt die Zeit zwei Sekunden oder länger, stellen Sie den Motor ab, und wiederholen Sie die Schritte 1 bis 6.
 7. Stellen Sie den Motor ab, und berühren Sie die Messeroberfläche. Wenn sie sich nicht zu heiß anfühlt, ist die Einstellung korrekt. Fühlen sich die Messer zu heiß an, drehen Sie die Innensechskantschrauben ein wenig heraus, und wiederholen Sie die Schritte 5 bis 7.
- **Abb.7:** 1. Mutter 2. Innensechskantschraube 3. Platte
4. Messerschutzhaube 5. Obermesser 6. Untermesser

Schmieren der beweglichen Teile

ANMERKUNG: Befolgen Sie die Anweisung zu Häufigkeit der Schmierung und der zugeführten Schmierfettmenge. Anderenfalls kann unzureichende Schmierung zu einer Beschädigung der beweglichen Teile führen.

► **Abb.8**

Antriebsgehäuse:

Tragen Sie Schmierfett alle 25 Betriebsstunden auf.

1. Die Schmieröffnung befindet sich unter der Schraube. Entfernen Sie die Schraube zur Schmierung.
 2. Füllen Sie ca. 5 g (7 cc) Schmierfett in die Schmieröffnung ein.
 3. Drehen Sie die Schraube nach der Schmierung wieder ein.
- **Abb.9:** 1. Schmieröffnung

HINWEIS: Nachdem Sie die korrekte Menge Schmierfett eingefüllt haben, kommt während des anfänglichen Betriebs ein wenig Schmierfett am Fuß des Messers heraus.

Antriebsachse:

Tragen Sie Schmierfett alle 25 Betriebsstunden auf.

Gesamtinspektion

- Ziehen Sie alle Bolzen, Muttern und Schrauben fest.
- Prüfen Sie, ob beschädigte Teile und Messer vorliegen. Wenden Sie sich an unser autorisiertes Kundendienstzentrum, um Teile bei Bedarf austauschen zu lassen.

Lagerung

⚠️ WARNUNG: Befolgen Sie die Warnungen und Vorsichtsmaßnahmen im Kapitel „WICHTIGE SICHERHEITSANWEISUNGEN“ und in der Gebrauchsanleitung des Antriebsaggregats.

Wenn Sie den Heckenscheren-Aufsatz getrennt vom Antriebsaggregat lagern, setzen Sie die Kappe auf das Ende der Welle.

► Abb.10

WARTUNGSINTERVALL

		Vor dem Betrieb	Täglich (10 Std.)	25 Std.	Bei Bedarf
Ganze Einheit	Visuell auf beschädigte Teile überprüfen	○	-	-	-
Alle Befestigungsschrauben und -muttern	Anziehen	○	-	-	-
Messer	Auf Beschädigung, Risse und stumpfe Schneide überprüfen	-	○	-	-
	Spiel einstellen	-	-	-	○
Antriebsgehäuse	Schmierfett zuführen	-	-	○	-
Antriebsachse	Schmierfett zuführen	-	-	○	-
Antriebsaggregat	In der Gebrauchsanleitung des Antriebsaggregats nachschlagen.				

FEHLERSUCHE

Zustand der Unregelmäßigkeit	Wahrscheinliche Ursache (Funktionsstörung)	Abhilfemaßnahme
Der Motor startet nicht.	In der Gebrauchsanleitung des Antriebsaggregats nachschlagen.	In der Gebrauchsanleitung des Antriebsaggregats nachschlagen.
Der Motor bleibt bald nach dem Starten stehen.	In der Gebrauchsanleitung des Antriebsaggregats nachschlagen.	In der Gebrauchsanleitung des Antriebsaggregats nachschlagen.
Die Maximaldrehzahl ist begrenzt.	In der Gebrauchsanleitung des Antriebsaggregats nachschlagen.	In der Gebrauchsanleitung des Antriebsaggregats nachschlagen.
Die Messer bewegen sich nicht. ⇒ Den Motor unverzüglich abstellen!	Falscher Winkel des Schneidwerks.	Sicherstellen, dass die Winkelverriegelung ordnungsgemäß einrastet.
Die Messer bewegen sich nicht. ⇒ Den Motor unverzüglich abstellen!	Ein Zweig klemmt zwischen den Messern.	Den Fremdkörper entfernen.
Die Messer bewegen sich nicht. ⇒ Den Motor unverzüglich abstellen!	Das Antriebssystem funktioniert nicht ordnungsgemäß.	Wenden Sie sich an unser autorisiertes Kundendienstzentrum, um eine Inspektion und Reparatur durchführen zu lassen.
Das Gerät vibriert ungewöhnlich stark. ⇒ Den Motor unverzüglich abstellen!	Das Antriebssystem funktioniert nicht ordnungsgemäß.	Wenden Sie sich an unser autorisiertes Kundendienstzentrum, um eine Inspektion und Reparatur durchführen zu lassen.
Die Messer bleiben nicht stehen. ⇒ Den Motor unverzüglich abstellen!	Das Antriebsaggregat funktioniert nicht ordnungsgemäß.	In der Gebrauchsanleitung des Antriebsaggregats nachschlagen.

SONDERZUBEHÖR

⚠️ VORSICHT: Die folgenden Zubehörteile oder Vorrichtungen werden für den Einsatz mit dem in dieser Anleitung beschriebenen Makita-Werkzeug empfohlen. Die Verwendung anderer Zubehörteile oder Vorrichtungen kann eine Verletzungsgefahr darstellen. Verwenden Sie Zubehörteile oder Vorrichtungen nur für ihren vorgesehenen Zweck.

Wenn Sie weitere Einzelheiten bezüglich dieser Zubehörteile benötigen, wenden Sie sich bitte an Ihre Makita-Kundendienststelle.

- Messersatz

HINWEIS: Manche Teile in der Liste können als Standardzubehör im Werkzeugsatz enthalten sein. Sie können von Land zu Land unterschiedlich sein.

DATI TECNICI

Modello:	EN410MP
Dimensioni (L x P x A)	1.104 mm x 85 mm x 61 mm (43-1/2" x 3-3/8" x 2-3/8")
Peso netto	2,0 kg (4,5 lbs)
Lunghezza di taglio effettiva	490 mm (19-1/4")
Rapporto di moltiplicazione	1 : 4,7

- In conseguenza del nostro programma di ricerca e sviluppo continui, i dati tecnici nel presente manuale sono soggetti a modifiche senza preavviso.
- I dati tecnici possono variare da nazione a nazione.

Unità motore approvata

AVVERTIMENTO: Non utilizzare mai l'accessorio con un'unità motore non approvata. Una combinazione non approvata potrebbe causare gravi lesioni personali.

Questo accessorio è approvato esclusivamente per l'utilizzo con le unità motore seguenti:

- (Decespugliatore polivalente)
EX2650LH
- (Decespugliatore polivalente a batteria)
BUX360, BUX361, BUX362, UX360D, UX361D, UX362D,
DUX60, UX01, DUX18, UX02, UX01G, GUX01

Accessorio approvato

AVVERTIMENTO: Non utilizzare mai un accessorio non approvato. Una combinazione non approvata potrebbe causare gravi lesioni personali.

Questo accessorio è approvato esclusivamente per l'utilizzo con l'accessorio o gli accessori seguenti:

- (Accessorio prolunga albero)
LE400MP

Simboli

Le figure seguenti mostrano i simboli utilizzati per l'apparecchio. Accertarsi di comprenderne il significato prima dell'uso.

	Leggere e seguire il manuale d'uso.
	Adottare la massima cautela e fare molta attenzione!
	Vietato!
	Fare attenzione alle linee elettriche. Rischio di scossa elettrica.
	PERICOLO: tenere le mani lontane dalla lama.
	Indossare guanti protettivi.
	Indossare elmetto di protezione, protezioni per gli occhi e per le orecchie.
	Indossare calzature robuste con soles antiscivolo.
	Mantenere astanti e animali a una distanza di almeno 15 m dall'utensile elettrico.
	Mantenere l'area di utilizzo libera da qualsiasi persona e animale.
	Superfici estremamente calde: possibilità di ustioni alle dita o alle mani.



Pronto soccorso



Livello di potenza sonora garantita in base alla Direttiva rumore macchine all'aperto UE.



Livello di potenza sonora in base alla normativa sul controllo del rumore NSW australiana

Utilizzo previsto

Questo accessorio è progettato esclusivamente allo scopo di tagliare cespugli e siepi in combinazione con un'unità motore approvata. Non utilizzare mai l'accessorio ad altri scopi. Un utilizzo improprio dell'accessorio potrebbe causare gravi lesioni personali.

Dichiarazione CE di conformità

Solo per i paesi europei

In qualità di fabbricante, **Makita Europe N.V.**, con indirizzo aziendale **Jan-Baptist Vinkstraat 2 3070 Kortenberg BELGIO**, autorizza **Hiroshi Tsujimura** alla compilazione della documentazione tecnica e dichiara, sotto la propria ed esclusiva responsabilità, che il prodotto o i prodotti

con designazione **Accessorio tagliasiepi**, con designazione del tipo o dei tipi: **EN410MP**,

È conforme a tutte le disposizioni rilevanti della normativa **2006/42/CE** ed è, inoltre, conforme a tutte le disposizioni rilevanti delle direttive CE/UE seguenti, **2000/14/CE**, ed è fabbricato in conformità agli Standard Armonizzati seguenti: **EN ISO 10517:2019, EN 62841-4-2:2019**.

Luogo e data della dichiarazione: **Kortenberg, Belgio. 1. 5. 2022**
Persona responsabile: **Hiroshi Tsujimura, Direttore - Makita Europe N.V.**

AVVERTENZE DI SICUREZZA

Avvertenze di sicurezza relative al tagliasiepi

1. **Mantenere tutte le parti del corpo lontane dalla lama. Non rimuovere il materiale tagliato né mantenere il materiale da tagliare quando le lame sono in movimento.** Le lame continuano a muoversi dopo la disattivazione dell'interruttore. Un attimo di disattenzione durante l'uso del tagliasiepi potrebbe risultare in gravi lesioni personali.
2. **Trasportare il tagliasiepi tenendolo per il manico con la lama arrestata e facendo attenzione a non attivare alcun interruttore di accensione.** Il trasporto appropriato del tagliasiepi riduce il rischio di avvio accidentale e delle conseguenti lesioni personali dovute alle lame.
3. **Quando si intende trasportare e/o riporre il tagliasiepi, applicare sempre il coprilama.** Se si maneggia correttamente il tagliasiepi, si riduce il rischio di lesioni personali causate dalle lame.
4. **Quando si intende rimuovere materiale inceppato o sottoporre l'unità a interventi di assistenza, accertarsi che tutti gli interruttori di accensione siano disattivati e che la batteria sia stata rimossa o scollegata.** L'attivazione imprevista del tagliasiepi quando si rimuove materiale inceppato o quando si effettuano interventi di assistenza potrebbe risultare in gravi lesioni personali.

5. **Mantenere il taglia siepi esclusivamente per le superfici di impugnatura isolate, poiché la lama potrebbe entrare in contatto con fili elettrici nascosti.** Delle lame che entrino in contatto con un filo elettrico sotto tensione potrebbero mettere sotto tensione le parti metalliche esposte del taglia siepi, e trasmettere una scossa elettrica all'operatore.
6. **Tenere tutti i cavi e i fili elettrici lontani dall'area di taglio.** Cavi e fili elettrici potrebbero essere nascosti nelle siepi o nei cespugli, e potrebbero venire tagliati accidentalmente dalla lama.
7. **Non utilizzare il taglia siepi in condizioni meteorologiche avverse, specialmente quando sussiste il rischio di fulmini.** Questo riduce il rischio di venire colpiti da un fulmine.

Avvertenze di sicurezza relative al taglia siepi a lunga portata

1. **Per ridurre il rischio di folgorazione, non utilizzare mai il taglia siepi a lunga portata in prossimità di linee elettriche di alcun genere.** Il contatto con linee elettriche, o l'utilizzo in loro prossimità, potrebbero causare gravi lesioni personali o scosse elettriche che potrebbero causare la morte.
2. **Utilizzare sempre due mani quando si utilizza il taglia siepi a lunga portata.** Afferrare il taglia siepi a lunga portata con entrambe le mani, per evitare la perdita di controllo.
3. **Utilizzare sempre una protezione per la testa, quando si intende utilizzare il taglia siepi a lunga portata al di sopra della propria testa.** I detriti che cadono potrebbero causare gravi lesioni personali.

ISTRUZIONI DI SICUREZZA IMPORTANTI

AVVERTIMENTO: Leggere tutte le avvertenze di sicurezza e tutte le istruzioni nel presente libretto, nonché il manuale d'uso dell'unità motore. La mancata osservanza delle avvertenze e delle istruzioni potrebbe risultare in scosse elettriche, incendi e/o gravi lesioni personali.

AVVERTIMENTO: Conservare tutte le avvertenze e le istruzioni come riferimento futuro.

I termini "taglia siepi" e "apparecchio" nelle avvertenze e nelle precauzioni si riferiscono alla combinazione dell'accessorio con l'unità motore.

Il termine "motore" nelle avvertenze e nelle precauzioni si riferisce al motore a scoppio o al motore elettrico dell'unità motore.

Precauzioni generali

1. Prima di avviare il taglia siepi, leggere il presente libretto e il manuale d'uso dell'unità motore per familiarizzare con l'utilizzo del taglia siepi.
2. Non prestare l'accessorio a persone dotate di esperienza o nozioni insufficienti relative all'utilizzo dei taglia siepi.
3. Quando si intende prestare l'accessorio, allegare sempre il presente manuale d'uso.
4. Non consentire a bambini o a giovani al di sotto dei 18 anni di utilizzare il taglia siepi. Tenerli lontani dal taglia siepi.
5. Maneggiare il taglia siepi con la massima cura e attenzione.
6. Non utilizzare mai il taglia siepi dopo aver fatto uso di alcool o droghe, o in condizioni fisiche di stanchezza o malattia.
7. Non tentare mai di modificare l'accessorio.
8. Attenersi alle normative relative all'uso dei taglia siepi nella propria nazione.

Attrezzatura di protezione personale

► Fig.1

1. Indossare un casco di protezione, occhiali di protezione e guanti protettivi per proteggersi da detriti volanti o oggetti che cadano.
2. Indossare protezioni per le orecchie, ad esempio cuffie antirumore, per evitare perdite dell'udito.
3. Indossare indumenti e scarpe appropriati per un funzionamento sicuro, ad esempio un grembiule da lavoro e scarpe robuste antiscivolo. Non indossare indumenti abbondanti o gioielli. Indumenti abbondanti, gioielli o capelli lunghi possono restare impigliati nelle parti mobili.
4. Quando si intende toccare le lame o regolare l'angolazione delle lame, indossare guanti protettivi. Le lame possono causare gravi tagli alle mani nude.

Sicurezza dell'area di lavoro

AVVERTIMENTO: Tenere il taglia siepi lontano da linee elettriche e cavi di comunicazione. Il contatto o l'avvicinamento del taglia siepi a linee ad alta tensione potrebbe causare la morte o gravi lesioni personali. Osservare le linee elettriche e le recinzioni elettrificate intorno all'area di lavoro, prima di iniziare l'uso.

AVVERTIMENTO: L'utilizzo del presente prodotto può creare polveri contenenti prodotti chimici, che potrebbero causare malattie respiratorie o di altro genere. Alcuni esempi di tali prodotti chimici sono i composti comunemente utilizzati in pesticidi, insetticidi, fertilizzanti ed erbicidi. Il rischio dell'utilizzatore dovuto a tali esposizioni varia a seconda della frequenza con cui si svolge questo tipo di lavoro. Per ridurre la propria esposizione a questi prodotti chimici, lavorare in un'area ben ventilata e con attrezzature di sicurezza approvate, ad esempio maschere antipolvere progettate specificamente per filtrare i particolati microscopici.

1. Far funzionare il taglia siepi esclusivamente in condizioni di buona visibilità e sotto luce diurna. Non far funzionare il taglia siepi al buio o nella nebbia.
2. Avviare e utilizzare il motore esclusivamente all'aperto, in un'area ben ventilata. Il funzionamento in un'area confinata o scarsamente ventilata può risultare nella morte dovuta a soffocamento o avvelenamento da monossido di carbonio.
3. Durante l'uso, non stare mai in piedi su superfici instabili o scivolose o su pendii ripidi. Durante la stagione fredda, fare attenzione al ghiaccio e alla neve e assicurare sempre un saldo equilibrio sui piedi.
4. Durante l'uso, tenere astanti o animali a una distanza di almeno 15 m dal taglia siepi. Arrestare il motore non appena si avvicina qualcuno.
5. Prima dell'uso, esaminare l'eventuale presenza nell'area di lavoro di recinzioni metalliche, pietre o altri oggetti solidi. Tali oggetti possono danneggiare le lame.

Messa in funzione

1. Prima di assemblare o regolare l'apparecchio, spegnere il motore e rimuovere il cappuccio della candela o la cartuccia della batteria.
2. Prima di montare le lame o regolare l'angolazione di taglio, indossare guanti protettivi.
3. Prima di avviare il motore, ispezionare l'apparecchiatura alla ricerca di eventuali danni, viti/dadi allentati o montaggio errato. Qualora le lame siano spaccate, piegate o danneggiate, sostituirle. Verificare che tutte le leve e gli interruttori di controllo funzionino agevolmente. Pulire e asciugare le maniglie.
4. Non tentare mai di avviare il motore qualora l'apparecchio sia danneggiato o non completamente montato. In caso contrario, si potrebbero causare gravi lesioni personali.
5. Regolare la tracolla e l'impugnatura per adattarle alla taglia del corpo dell'operatore.

Funzionamento

1. In caso di emergenza, spegnere immediatamente il motore.
 2. Qualora si avvertano condizioni anomale (ad esempio rumori e vibrazioni) durante l'uso, spegnere il motore. Non utilizzare il taglia siepi fino all'identificazione e alla risoluzione della causa.
 3. Le lame continuano a muoversi per un breve periodo di tempo dopo il rilascio del grilletto della manetta o lo spegnimento del motore. Non affrettare il contatto con le lame.
 4. Montare la tracolla esclusivamente mentre il motore funziona in folle.
 5. Durante l'uso, utilizzare la tracolla. Mantenere il taglia siepi saldamente sul proprio lato destro.
- Fig.2
6. Tenere la maniglia anteriore con la mano sinistra e l'impugnatura posteriore con la mano destra, indipendentemente dal fatto che l'operatore sia destrorso o mancino. Avvolgere le dita e i pollici intorno alle maniglie.
 7. Non tentare mai di far funzionare l'apparecchio con una sola mano. La perdita di controllo potrebbe risultare in lesioni personali gravi o letali. Per ridurre il rischio di ferite da taglio, tenere mani e piedi lontani dalle lame.
 8. Non sporgersi. Mantenere sempre saldamente la posizione e l'equilibrio sui piedi. Fare attenzione a ostacoli nascosti, quali ceppi d'albero, radici e fossi, per evitare di inciampare. Rimuovere i rami e altri oggetti caduti.
 9. Non lavorare mai su una scala a pioli o su un albero, per evitare la perdita di controllo.

10. Non tenere la macchina al di sopra dell'altezza delle spalle.
11. Durante l'uso, non colpire mai oggetti duri, quali pietre e metalli, con le lame. Fare particolarmente attenzione quando si intende tagliare siepi che si trovino accanto o appoggiate a recinzioni metalliche. Quando si intende lavorare in prossimità del terreno, accertarsi che sabbia, sporco o pietre non finiscano tra le lame.
12. Qualora le lame entrino in contatto con pietre o altri oggetti solidi, arrestare immediatamente il motore e controllare l'eventuale presenza di danni alle lame dopo aver rimosso il cappuccio della candela o la cartuccia della batteria. Qualora le lame siano danneggiate, sostituirle.
13. Qualora dei rami spessi restino inceppati nelle lame, spegnere immediatamente il motore, appoggiare a terra il tagliasiepi e rimuovere l'ostruzione dopo aver rimosso il cappuccio della candela o la cartuccia della batteria. Prima di utilizzare di nuovo l'apparecchio, controllare l'eventuale presenza di danni alle lame.
14. Non toccare mai le lame né accostarvi mentre sono in movimento. Le lame possono tagliare facilmente le dita. Quando si intende maneggiare le lame o regolare l'angolazione di taglio, arrestare il motore e rimuovere il cappuccio della candela o la cartuccia della batteria.
15. L'accelerazione del motore con le lame bloccate incrementa il carico e danneggia il motore e/o la frizione.
16. Durante l'uso, controllare spesso l'eventuale presenza di spaccature o bordi smussati sulle lame da taglio. Prima dell'ispezione, spegnere il motore e attendere che le lame si arrestino completamente. Sostituire immediatamente lame danneggiate o spuntate, anche se presentano solo delle spaccature superficiali.
17. Qualora l'apparecchio subisca un forte impatto o una caduta, controllarne le condizioni prima di continuare il lavoro. Controllare eventuali perdite di carburante del sistema del carburante ed eventuali malfunzionamenti dei controlli e dei dispositivi di sicurezza. In presenza di qualsiasi danno o in caso di dubbi, richiedere l'ispezione e la riparazione a un nostro centro di assistenza autorizzato.
18. Non toccare la scatola degli ingranaggi. La scatola degli ingranaggi raggiunge una temperatura estremamente elevata durante l'uso.
19. Fare delle pause per evitare la perdita di controllo causata dall'affaticamento. Si consiglia di fare una pausa di lunghezza compresa tra 10 e 20 minuti ogni ora.
20. Quando si lascia l'apparecchio, anche per un breve periodo di tempo, spegnere sempre il motore o rimuovere la cartuccia della batteria. L'apparecchio lasciato incustodito con il motore in funzione potrebbe venire utilizzato da persone non autorizzate e causare un grave incidente.
21. Prima di effettuare il taglio, tirare fino in fondo la leva della manetta per raggiungere la massima velocità.
22. Per un utilizzo corretto della leva di controllo e dell'interruttore, seguire il manuale d'uso dell'unità motore.
23. Durante o dopo l'uso, non appoggiare l'apparecchio caldo su erba asciutta o materiali combustibili.

Trasporto

1. Prima di trasportare l'apparecchio, spegnere il motore e rimuovere il cappuccio della candela o la cartuccia della batteria. Durante il trasporto, applicare sempre il coprilama.
2. Quando si intende trasportare l'apparecchio, trasportarlo in posizione orizzontale mantenendo l'albero. Tenere la marmitta calda lontana dal corpo.
3. Quando si intende trasportare l'apparecchio in un veicolo, fissarlo in modo appropriato per evitare che si capovolga. In caso contrario, si potrebbe causare la fuoriuscita di carburante e danni all'apparecchio e ad altri bagagli.

Manutenzione

1. Prima di effettuare qualsiasi intervento di manutenzione o di riparazione, o prima di pulire l'apparecchio, accertarsi sempre di spegnere il motore e rimuovere il cappuccio della candela o la cartuccia della batteria. Attendere che il motore si raffreddi.
2. Per ridurre il rischio di incendi, non effettuare mai la manutenzione dell'apparecchio in prossimità del fuoco.
3. Indossare sempre guanti protettivi quando si maneggiano le lame.
4. Rimuovere sempre polvere e sporco dall'apparecchio. Non utilizzare mai benzina per motori o per smacchiare, diluenti, alcool o sostanze simili a tale scopo. In caso contrario, si potrebbero causare scolorimento, deformazione o spaccature dei componenti in plastica.
5. Dopo ciascun utilizzo, serrare tutte le viti e i dadi, eccettuate le viti di regolazione del carburatore.

6. Mantenere l'utensile da taglio affilato. Qualora le lame da taglio siano diventate spuntate e le prestazioni di taglio siano scadenti, richiedere al nostro centro di assistenza autorizzato di affilare le lame.
7. Non riparare mai lame piegate o rotte raddrizzandole o saldandole. Tali procedure potrebbero causare il distacco di parti delle lame e risultare in gravi lesioni personali. Contattare un nostro centro di assistenza autorizzato per ottenere lame originali Makita per sostituirle.
8. Non tentare alcun intervento di manutenzione o riparazione non descritto nel presente libretto o nel manuale d'uso dell'unità motore. Contattare il nostro centro di assistenza autorizzato per tale tipo di lavoro.
9. Utilizzare sempre esclusivamente pezzi di ricambio e accessori originali Makita. L'utilizzo di pezzi o accessori forniti da terze parti potrebbe risultare in rottura dell'apparecchio, danni alle cose e/o gravi lesioni personali.
10. Richiedere a un nostro centro di assistenza autorizzato di ispezionare e sottoporre a manutenzione il tagliasiepi a intervalli regolari.

Conservazione

1. Prima di conservare l'apparecchio, effettuare la pulizia e la manutenzione complete. Applicare il coprilama.
2. Conservare l'apparecchio in un luogo asciutto e in posizione elevata, o chiuso a chiave, fuori dalla portata dei bambini.
3. Non appoggiare l'apparecchio contro qualcosa, ad esempio una parete. In caso contrario, il tagliasiepi potrebbe cadere improvvisamente e causare lesioni personali.

Pronto soccorso

1. Tenere sempre a portata di mano un kit di pronto soccorso. Sostituire immediatamente qualsiasi componente prelevato dal kit di pronto soccorso.
2. **Quando si intende chiedere aiuto, fornire le informazioni seguenti:**
 - **Luogo dell'incidente**
 - **Cosa è accaduto**
 - **Numero di persone ferite**
 - **Natura dell'incidente**
 - **Il proprio nome**

DESCRIZIONE DELLE PARTI

► Fig.3

1	Lame	2	Scatola degli ingranaggi	3	Cappuccio	4	Coprilama
---	------	---	--------------------------	---	-----------	---	-----------

MONTAGGIO

⚠AVVERTIMENTO: Prima di assemblare o regolare l'apparecchio, spegnere il motore e rimuovere il cappuccio della candela o la cartuccia della batteria. In caso contrario, le lame o altre parti potrebbero muoversi e causare gravi lesioni personali.

⚠AVVERTIMENTO: Prima di maneggiare le lame o lavorare intorno ad esse, indossare guanti protettivi e applicare il coprilama sulle lame. In caso contrario, le lame possono causare gravi tagli alle mani nude.

⚠AVVERTIMENTO: Quando si intende montare o regolare l'apparecchio, appoggiarlo sempre a terra. L'assemblaggio o la regolazione dell'apparecchio in posizione verticale potrebbe risultare in gravi lesioni personali.

⚠AVVERTIMENTO: Seguire le avvertenze di sicurezza e le precauzioni nel capitolo "Precauzioni per la sicurezza" e il manuale d'uso dell'unità motore.

⚠AVVERTIMENTO: Prima di utilizzare l'apparecchio, accertarsi che la leva di blocco sia serrata.

Montaggio dell'accessorio su un'unità motore

Per montare l'accessorio su un'unità motore, attenersi alla procedura seguente.

1. Accertarsi che la leva di blocco non sia serrata.
2. Allineare il perno con il simbolo della freccia.
3. Inserire l'albero nell'albero di trasmissione dell'unità motore fino alla linea di posizione e fino a quando il pulsante di sblocco scatta verso l'alto.
4. Serrare saldamente la leva di blocco come indicato nella figura.

Per rimuovere l'accessorio, allentare la leva di blocco ruotandola nella direzione opposta, quindi premere il pulsante di blocco e ritirare l'albero.

► **Fig.4:** 1. Leva di blocco 2. Perno 3. Simbolo della freccia 4. Linea di posizione 5. Pulsante di sblocco

AVVISO: Non serrare la leva di blocco senza aver inserito l'albero dell'accessorio. In caso contrario, la leva di blocco potrebbe serrare eccessivamente l'entrata dell'albero di trasmissione e danneggiarla.

FUNZIONAMENTO

AVVERTIMENTO: Qualora le lame si muovano in folle, regolare il minimo del motore per abbassarlo. In caso contrario, non è possibile arrestare le lame con la manetta al minimo, e questo potrebbe causare gravi lesioni personali.

AVVERTIMENTO: Seguire le avvertenze di sicurezza e le precauzioni nel capitolo "ISTRUZIONI IMPORTANTI PER LA SICUREZZA" e il manuale d'uso dell'unità motore.

Taglio orizzontale

Quando si intende tagliare le siepi orizzontalmente, attenersi alla procedura seguente.

1. Tirare completamente la leva della manetta.
 2. Applicare le lame sulla siepe ad un'angolazione compresa tra 15° e 30°.
 3. Tagliare la siepe con un movimento rotatorio da destra verso sinistra.
- **Fig.5**

Taglio verticale

Quando si intende tagliare le siepi verticalmente, attenersi alla procedura seguente.

1. Tirare completamente la leva della manetta.
 2. Applicare le lame parallelamente alla siepe.
 3. Tagliare la siepe con un movimento rotatorio dal basso verso l'alto.
- **Fig.6**

MANUTENZIONE

AVVERTIMENTO: Prima di ispezionare o sottoporre a manutenzione l'apparecchio, spegnere il motore e rimuovere il cappuccio della candela o la cartuccia della batteria. In caso contrario, le lame o altre parti potrebbero muoversi e causare gravi lesioni personali.

AVVERTIMENTO: Prima di maneggiare le lame o lavorare intorno ad esse, indossare guanti protettivi e applicare il coprilama sulle lame. Durante il montaggio o la regolazione, le dita potrebbero entrare in contatto con le lame e questo potrebbe causare gravi lesioni personali.

AVVERTIMENTO: Quando si intende ispezionare o sottoporre a manutenzione l'apparecchio, appoggiare sempre a terra l'apparecchio. L'assemblaggio o la regolazione dell'apparecchio in posizione verticale potrebbe risultare in gravi lesioni personali.

AVVERTIMENTO: Seguire le avvertenze di sicurezza e le precauzioni nel capitolo "ISTRUZIONI IMPORTANTI PER LA SICUREZZA" e il manuale d'uso dell'unità motore.

Ispezione delle lame

Controllare ogni giorno l'eventuale presenza sulle lame di danni, spaccature e smussature dei bordi. Per sostituire le lame danneggiate o affilare lame smussate, rivolgersi a un nostro centro di assistenza autorizzato.

Regolazione della distanza tra le lame

Le lame superiori e inferiori si usurano gradualmente dopo l'uso. Qualora non si riesca a ottenere un taglio pulito anche se le lame sono sufficientemente affilate, regolare la distanza nel modo seguente.

Il livello di serraggio del bullone esagonale stabilisce la distanza tra le lame. Il dado mantiene il bullone esagonale con un determinato livello di serraggio. Una distanza troppo ampia causa un taglio spuntato, ma una distanza troppo ridotta causa calore non necessario e un'usura precoce delle lame.

1. Allentare i dadi con una chiave.
 2. Serrare leggermente i bulloni esagonali fino al loro arresto. Quindi, svitarli da un quarto di giro a mezzo giro ciascuno per raggiungere la distanza necessaria.
 3. Tenere fermi i bulloni esagonali e serrare i dadi.
 4. Applicare uno strato leggero di olio sulla superficie di frizione delle lame.
 5. Avviare il motore e aprire e chiudere la manetta per un minuto.
 6. Misurare il tempo necessario per l'arresto delle lame dopo il rilascio della manetta. Qualora il tempo sia pari a due secondi o più lungo, spegnere il motore e ripetere i passi da 1 a 6 della procedura.
 7. Spegner il motore e toccare la superficie delle lame. Se non sono troppo calde per toccarle, svitare leggermente i bulloni esagonali e ripetere i passi da 5 a 7 della procedura.
- **Fig.7:** 1. Dado 2. Bullone esagonale 3. Piastra 4. Protezione delle lame 5. Lama superiore 6. Lama inferiore

Lubrificazione delle parti mobili

AVVISO: Attenersi alle istruzioni relative alla frequenza e alla quantità di grasso applicato. In caso contrario, una lubrificazione insufficiente potrebbe danneggiare le parti mobili.

► **Fig.8**

Scatola degli ingranaggi:

Applicare il grasso ogni 25 ore di funzionamento.

1. Il foro per il grasso è situato sotto il bullone. Rimuovere il bullone per lubrificare.
2. Immettere circa 5 g (7 cc) di grasso nel foro per il grasso.
3. Rimettere a posto il bullone dopo la lubrificazione.

► **Fig.9:** 1. Foro per il grasso

NOTA: Dopo il riempimento con la quantità corretta di grasso, quest'ultimo fuoriesce leggermente dalla base della lama durante il primo utilizzo.

Asse della trasmissione:

Applicare il grasso ogni 25 ore di funzionamento.

Ispezione generale

- Serrare bulloni, dadi e viti allentati.
- Controllare la presenza di eventuali parti e lame danneggiate. Se necessario, rivolgersi a un nostro centro di assistenza autorizzato per sostituirle.

Conservazione

AVVERTIMENTO: Seguire le avvertenze di sicurezza e le precauzioni nel capitolo "ISTRUZIONI IMPORTANTI PER LA SICUREZZA" e il manuale d'uso dell'unità motore.

Quando si intende conservare l'accessorio tagliasiepi separato dall'unità motore, applicare il cappuccio sull'estremità dell'albero.

► **Fig.10**

INTERVALLO DI MANUTENZIONE

		Prima dell'uso	Giornalmente (10h)	25 h	Se necessario
Intera unità	Ispezionare visivamente alla ricerca di eventuali parti danneggiate	○	-	-	-
Tutte le viti e i dadi di fissaggio	Serrare	○	-	-	-
Lame	Ispezionare alla ricerca di eventuali danni, spaccature e smussature dei bordi	-	○	-	-
	Regolare la distanza tra le lame	-	-	-	○
Scatola degli ingranaggi	Applicare il grasso	-	-	○	-
Asse della trasmissione	Applicare il grasso	-	-	○	-
Unità motore	Fare riferimento al manuale d'uso dell'unità motore				

RISOLUZIONE DEI PROBLEMI

Stato di anomalia	Causa probabile (guasto)	Azione correttiva
Il motore non si avvia.	Fare riferimento al manuale d'uso dell'unità motore.	Fare riferimento al manuale d'uso dell'unità motore.
Il motore si arresta subito dopo l'avvio.	Fare riferimento al manuale d'uso dell'unità motore.	Fare riferimento al manuale d'uso dell'unità motore.
La velocità massima è limitata.	Fare riferimento al manuale d'uso dell'unità motore.	Fare riferimento al manuale d'uso dell'unità motore.
Le lame non si muovono. ⇒ Arrestare immediatamente il motore!	Angolazione inappropriata dell'unità di taglio.	Accertarsi che il blocco dell'angolazione si innesti correttamente.
Le lame non si muovono. ⇒ Arrestare immediatamente il motore!	Un rametto è incastrato tra le lame.	Rimuovere il corpo estraneo.
Le lame non si muovono. ⇒ Arrestare immediatamente il motore!	Il sistema di trasmissione non funziona correttamente.	Rivolgersi a un nostro centro di assistenza autorizzato per ispezionarlo e ripararlo.
L'unità vibra in modo anomalo. ⇒ Arrestare immediatamente il motore!	Il sistema di trasmissione non funziona correttamente.	Rivolgersi a un nostro centro di assistenza autorizzato per ispezionarlo e ripararlo.
Le lame non si arrestano. ⇒ Arrestare immediatamente il motore!	L'unità motore non funziona correttamente.	Fare riferimento al manuale d'uso dell'unità motore.

ACCESSORI OPZIONALI

ATTENZIONE: Questi accessori o componenti aggiuntivi sono consigliati per l'uso con l'utensile Makita specificato nel presente manuale. L'impiego di altri accessori o componenti aggiuntivi può costituire un rischio di lesioni alle persone. Utilizzare gli accessori o i componenti aggiuntivi solo per il loro scopo prefissato.

Per ottenere ulteriori dettagli relativamente a questi accessori, rivolgersi a un centro di assistenza Makita.

- Kit di lame

NOTA: Alcuni articoli nell'elenco potrebbero essere inclusi nell'imballaggio dell'utensile come accessori standard. Tali articoli potrebbero variare da nazione a nazione.

TECHNISCHE GEGEVENS

Model:	EN410MP
Afmetingen (l x b x h)	1.104 mm x 85 mm x 61 mm (43-1/2" x 3-3/8" x 2-3/8")
Nettogewicht	2,0 kg (4,5 lbs)
Effectieve snijlengte	490 mm (19-1/4")
Overbrengingsverhouding van tandwielen	1 : 4,7

- In verband met ononderbroken research en ontwikkeling behouden wij ons het recht voor bovenstaande technische gegevens te wijzigen zonder voorafgaande kennisgeving.
- De technische gegevens kunnen van land tot land verschillen.

Goedgekeurd aandrijfsysteem

WAARSCHUWING: Gebruik het hulpstuk nooit met een niet-goedgekeurd aandrijfsysteem. Een niet-goedgekeurde combinatie kan leiden tot ernstig letsel.

Dit hulpstuk is alleen goedgekeurd voor gebruik met de volgende aandrijfsystemen:

- (Multifunctioneel aandrijfsysteem)
EX2650LH
- (Multifunctioneel accuaandrijfsysteem)
BUX360, BUX361, BUX362, UX360D, UX361D, UX362D, DUX60, XUX01, DUX18, XUX02, UX01G, GUX01

Goedgekeurd hulpstuk

WAARSCHUWING: Gebruik nooit een niet-goedgekeurd hulpstuk. Een niet-goedgekeurde combinatie kan leiden tot ernstig letsel.

Dit hulpstuk is alleen goedgekeurd voor gebruik met het/de volgende hulpstuk(ken):

- (Asverlenghulpstuk)
LE400MP

Symbolen

Hieronder staan de symbolen die voor het gereedschap kunnen worden gebruikt. Zorg ervoor dat u de betekenis ervan kent voordat u het gereedschap gaat gebruiken.

	Lees de gebruiksaanwijzing en volg deze op.
	Besteed bijzondere zorg en aandacht!
	Verboden!
	Let op elektriciteitsleidingen. Gevaar voor elektrische schokken.
	GEVAAR - Houd handen uit de buurt van het snijgarnituur.
	Draag veiligheidshandschoenen.
	Draag een veiligheidshelm, oog- en gehoorbescherming.
	Draag stevige schoenen met antislipzolen.
	Houd omstanders en dieren ten minste 15 m uit de buurt van het elektrisch gereedschap.
	Houd mensen en huisdieren weg van het werkgebied.

	Hete oppervlakken - Verbrandingsgevaar voor vingers of handen.
	EHBO
	Gegarandeerd geluidsvermogeniveau conform EU-richtlijn inzake geluidsemisatie buitenhuis.
	Geluidsvermogeniveau conform de Regelgeving Geluidsregeling van NSW, Australië

Bedoeld gebruik

Dit gereedschap is uitsluitend bedoeld voor het snoeien van struiken en heggen in combinatie met een goedgekeurd aandrijfsysteem. Gebruik het hulpstuk nooit voor enig ander doel. Misbruik van het hulpstuk kan leiden tot ernstig letsel.

EU-verklaring van conformiteit

Alleen voor Europese landen

Wij als de fabrikanten: **Makita Europe N.V.**, Bedrijfsadres: **Jan-Baptist Vinkstraat 2, 3070 Kortenberg, BELGIË**. Stellen **Hiroshi Tsujimura** aan om het technische bestand samen te stellen en verklaren onder eigen verantwoordelijkheid dat het/de product(en); Aanduiding: **Heggenschaarhulpstuk**. Aanduiding van type(n): **EN410MP**.

Voldoet aan de relevante voorwaarden van **2006/42/EG** en voldoet tevens aan de relevante voorwaarden van de volgende EG/EU-richtlijnen: **2000/14/EG** en zijn gefabriceerd conform de volgende geharmoniseerde normen: **EN ISO 10517:2019, EN 62841-4-2:2019**. Plaats en datum van verklaring: **Kortenberg, België. 1. 5. 2022**
Verantwoordelijke persoon: **Hiroshi Tsujimura, directeur - Makita Europe N.V.**

VEILIGHEIDSWAARSCHUWINGEN

Veiligheidswaarschuwingen voor een heggenschaar

- Houd alle lichaamsdelen uit de buurt van het snijgarnituur. Verwijder het losse materiaal niet en houd het materiaal niet vast terwijl het snijgarnituur beweegt.** Het snijgarnituur blijft nog bewegen nadat de schakelaar is uitgezet. Een ogenblik van onoplettendheid kan tijdens het gebruik van de heggenschaar leiden tot ernstig persoonlijk letsel.
- Draag de heggenschaar aan de handgreep terwijl het snijgarnituur stilstaat en let daarbij op dat u geen aan-uitschakelaar bedient.** Door de heggenschaar op de juiste manier te dragen, wordt de kans op onbedoeld inschakelen en daaruit voortvloeiend persoonlijk letsel door het snijgarnituur kleiner.
- Breng altijd de schade aan voordat u de heggenschaar vervoert of opbergt.** Door de heggenschaar op de juiste manier te hanteren, wordt de kans op persoonlijk letsel door het snijgarnituur kleiner.
- Verzekert u ervan dat bij het verwijderen van vastgeklemd materiaal of uitvoeren van onderhoudswerkzaamheden aan het apparaat alle aan-uitschakelaars uit staan en de accu is verwijderd of losgekoppeld.** Onverwacht inschakelen van de heggenschaar tijdens het verwijderen van vastgeklemd materiaal of uitvoeren van onderhoudswerkzaamheden kan leiden tot ernstig persoonlijk letsel.

- Houd de heggenschaar uitsluitend vast aan het geïsoleerde oppervlak omdat het snijgarnituur met verborgen bedrading in aanraking kan komen. Wanneer het snijgarnituur in aanraking komt met onder spanning staande draden, zullen de niet-geïsoleerde metalen delen van het gereedschap onder spanning komen te staan zodat de gebruiker een elektrische schok kan krijgen.
- Houd alle netsnoeren en kabels uit de buurt van het werkgebied. Netsnoeren en kabels kunnen verborgen liggen in de heg of struiken, en kunnen per ongeluk worden doorsneden door het snijgarnituur.
- Gebruik de heggenschaar niet onder slechte weersomstandigheden, met name wanneer de kans op bliksem bestaat. Dit verlaagt de kans op blikseminslag.

Veiligheidswaarschuwingen voor een heggenschaar met verlengd bereik

- Om de kans op elektrocutie te verkleinen, mag u de heggenschaar met verlengd bereik nooit gebruiken in de buurt van hoogspanningsleidingen. Aanraking van of gebruik in de buurt van hoogspanningsleidingen kan leiden tot ernstig letsel of een elektrische schok met de dood als gevolg.
- Gebruik altijd twee handen wanneer u de heggenschaar met verlengd bereik bedient. Houd de heggenschaar met verlengd bereik met beide handen vast om te voorkomen dat u de controle erover verliest.
- Draag altijd hoofdbescherming wanneer u de heggenschaar met verlengd bereik boven uw hoofd gebruikt. Vallend afval kan leiden tot ernstig persoonlijk letsel.

BELANGRIJKE VEILIGHEIDSVORSCHRIFTEN

WAARSCHUWING: Lees alle veiligheidswaarschuwingen en alle instructies in deze gebruiksaanwijzing en in de gebruiksaanwijzing van het aandrijfsysteem. Het niet volgen van de waarschuwingen en instructies kan leiden tot elektrische schokken, brand en/of ernstig letsel.

WAARSCHUWING: Bewaar alle waarschuwingen en instructies om in de toekomst te kunnen raadplegen.

De termen "heggenschaar" en "gereedschap" in de waarschuwingen en voorzorgsmaatregelen verwijzen naar de combinatie van het hulpstuk en het aandrijfsysteem.

De term "motor" in de waarschuwingen en voorzorgsmaatregelen verwijst naar de benzinemotor of elektromotor van het aandrijfsysteem.

Algemene voorzorgsmaatregelen

- Alvorens de heggenschaar te starten, leest u deze gebruiksaanwijzing en de gebruiksaanwijzing van het aandrijfsysteem om u bekend te maken met de juiste manier van omgaan met de heggenschaar.
- Leen het hulpstuk niet uit aan een persoon met onvoldoende ervaring met of kennis van het omgaan met de heggenschaar.
- Wanneer u het hulpstuk uitleent, geeft u altijd deze gebruiksaanwijzing erbij.
- Sta niet toe dat kinderen of jonge mensen die jonger zijn dan 18 jaar de heggenschaar gebruiken. Houd hen uit de buurt van de heggenschaar.
- Hanteer de heggenschaar met de hoogstmogelijke zorg en aandacht.
- Gebruik de heggenschaar nooit na het gebruik van alcohol of drugs, of wanneer u zich moe of ziek voelt.
- Probeer nooit het hulpstuk te wijzigen.
- Houd u aan de regelgeving zoals die in uw land geldt voor het hanteren van heggenscharen.

Persoonlijke-beschermingsmiddelen

► Fig.1

- Draag een veiligheidshelm, veiligheidsbril en veiligheidshandschoenen om uzelf te beschermen tegen rondvliegend afval en vallende voorwerpen.
- Draag gehoorbescherming, zoals oorkappen, om gehoorschade te voorkomen.
- Draag geschikte kleding en schoenen waarmee veilig kan worden gewerkt, zoals een werkoverall en stevige schoenen met antislipzolen. Draag geen losse kleding of sieraden. Loshangende kleding, sieraden en lang haar kunnen verstrikt raken in bewegende delen.
- Trek veiligheidshandschoenen aan voordat u het snijgarnituur aanraakt of de hoek van het snijgarnituur verstelt. Het snijgarnituur kan flinke snijwonden veroorzaken in blote handen.

Veiligheid op de werkplek

WAARSCHUWING: Houd de heggenschaar uit de buurt van hoogspanningsleidingen en communicatiekabels. Als u een hoogspanningsleiding nadert of aanraakt met de heggenschaar, kan dat leiden tot de dood of ernstig letsel. Kijk of er hoogspanningsleidingen of schrikdraadafrasteringen in de buurt van het werkgebied zijn voordat u met de werkzaamheden begint.

WAARSCHUWING: Het gebruik van dit gereedschap kan stof opwerpen waarin chemische bestanddelen kunnen zitten die ziekten aan de luchtwegen of andere ziekten kunnen veroorzaken. Enkele voorbeelden van deze chemische bestanddelen zijn verbindingen die gevonden worden in pesticiden, insecticiden, meststoffen en herbiciden. Het risico van deze blootstellingen varieert en hangt af van hoe vaak u dit soort werkzaamheden uitvoert. Om blootstelling aan deze chemische stoffen te verminderen: moeten de werkzaamheden uitgevoerd worden in een goed geventileerde werkomgeving en gebruikmakend van goedgekeurde beschermingsmiddelen, zoals stofmaskers die ontworpen zijn om microscopisch kleine deeltjes te kunnen filteren.

- Bedien de heggenschaar alleen bij goed zicht en daglicht. Bedien de heggenschaar niet in het donker of in mist.
- Start en bedien de motor alleen buitenshuis op een goed geventileerde plaats. Gebruik in een gesloten ruimte of op een slecht geventileerde plaats kan leiden tot de dood als gevolg van verstikking of koolmonoxidevergiftiging.
- Tijdens gebruik mag u nooit op een instabiele of gladde ondergrond of op een steile helling staan. Let in de winter op ijs en sneeuw, en zorg er altijd voor dat u stevig staat.
- Houd tijdens gebruik omstanders en dieren ten minste 15 meter uit de buurt van de heggenschaar. Zet de motor uit zodra iemand dichterbij komt.
- Onderzoek het werkgebied op draadafrasteringen, stenen en andere massieve voorwerpen voordat u met de werkzaamheden begint. Zij kunnen het snijgarnituur beschadigen.

In gebruik nemen

- Alvorens het gereedschap te monteren of af te stellen, zet u de motor uit en trekt u de bougiekap eraf of verwijdert u de accu.
- Trek veiligheidshandschoenen aan voordat u het snijgarnituur aanbrengt of de hoek van het snijgarnituur verstelt.
- Voordat u de motor start, inspecteer u het gereedschap op beschadigingen, losse bouten/moeren en verkeerde montage. Vervang het snijgarnituur als dit gebarsten, verbogen of beschadigd is. Controleer of alle bedieningshendels en -schakelaars gemakkelijk kunnen worden bediend. Maak de handgrepen schoon en droog.
- Probeer nooit de motor te starten als het gereedschap beschadigd is of nog niet volledig gemonteerd is. Als u zich hier niet aan houdt, kan ernstig letsel ontstaan.
- Stel het schouderdraagstel en de handgreep af op de lichaamsgrootte van de gebruiker.

Bediening

- In geval van nood zet u de motor onmiddellijk uit.
- Als u tijdens gebruik een ongebruikelijke situatie opmerkt (bijv. geluid, trillingen), schakelt u de motor uit. Gebruik de heggenschaar niet meer totdat de oorzaak is opgespoord en verholpen.
- Het snijgarnituur blijft gedurende een korte tijd doordraaien nadat de gashendel is losgelaten of de motor is uitgezet. Raak het snijgarnituur niet onmiddellijk aan.
- Terwijl de motor slechts stationair loopt, maakt u het gereedschap vast aan het schouderdraagstel.
- Gebruik tijdens het werk het schouderdraagstel. Houd de heggenschaar stevig tegen uw rechterzij.

► Fig.2

- Houd de voorhandgreep met uw linkerhand vast, en houd de achterhandgreep met uw rechterhand vast, ongeacht of u links- of rechtshandig bent. Vouw uw vingers en duimen om de handgrepen.
- Probeer nooit het gereedschap met één hand te bedienen. Als u de controle over het gereedschap verliest, kan dat leiden tot ernstig of fataal letsel. Om de kans op verwonding te verkleinen, houdt u uw handen en voeten uit de buurt van het snijgarnituur.
- Reik niet te ver. Zorg altijd voor een stevige stand en goede lichaamsbalans. Kijk uit voor verborgen obstakels, zoals boomstronken, boomwortels en greppels, om te voorkomen dat u valt. Ruim afgevallen takken en andere voorwerpen op.
- Werk nooit op een ladder of in een boom om te voorkomen dat u de controle over het gereedschap verliest.

10. Houd het gereedschap niet boven schouderhoogte.
11. Stoot tijdens gebruik het snijgarnituur nooit tegen harde obstakels, zoals stenen of metalen voorwerpen. Wees met name voorzichtig wanneer u heggen snoeit naast of tegen een draadafrastering. Wanneer u dicht bij de grond werkt, let u erop dat geen zand, grond of steentjes in het snijgarnituur komt.
12. Als het snijgarnituur in aanraking komen met steentjes of andere massieve voorwerpen, zet u onmiddellijk de motor uit, trekt u de bougiekap eraf of verwijdert u de accu, en controleert u het snijgarnituur op beschadigingen. Vervang het snijgarnituur als dit beschadigd is.
13. Als dikke takken bekneld raken in het snijgarnituur, zet u onmiddellijk de motor uit, legt u de heggenschaar op de grond, trekt u de bougiekap eraf of verwijdert u de accu, en verwijdert u het obstakel. Controleer het snijgarnituur op beschadigingen voordat u het gereedschap weer gebruikt.
14. Raak het snijgarnituur nooit aan en kom er niet bij in de buurt wanneer het beweegt. Het snijgarnituur kan met gemak in uw vingers snijden. Alvorens het snijgarnituur te hanteren of de hoek van het snijgarnituur te verstellen, zet u de motor uit en trekt u de bougiekap eraf of verwijdert u de accu.
15. Door het motortoerental te verhogen terwijl het snijgarnituur verstop zit, wordt de belasting hoger en wordt de motor en/of koppeling beschadigd.
16. Controleer het snijgarnituur tijdens gebruik veelvuldig op barsten of botte snijranden. Voordat u inspecteert, zet u de motor uit en wacht u tot het snijgarnituur volledig tot stilstand is gekomen. Vervang een beschadigd of bot snijgarnituur onmiddellijk, ook wanneer het slechts oppervlakkige barsten vertoont.
17. Nadat tegen het gereedschap is gestoten of het is gevallen, controleert u de staat van het gereedschap voordat u de werkzaamheden hervat. Controleer het brandstofsysteem op brandstoflekkage, en de bedieningselementen en veiligheidsvoorzieningen op juiste werking. Als enige beschadiging zichtbaar is of u twijfelt, vraagt u ons erkende servicecentrum om inspectie en reparatie.
18. Raak het tandwielhuis niet aan. Het tandwielhuis wordt tijdens gebruik erg warm.
19. Neem een pauze om te voorkomen dat u door vermoeidheid de controle over het gereedschap verliest. Wij adviseren u ieder uur 10 tot 20 minuten te rusten.
20. Wanneer u het gereedschap achterlaat, al is het maar even, zet u altijd de motor uit of verwijdert u de accu. Een onbeheerd gereedschap met een draaiende motor kan door onbevoegden worden gebruikt en tot een ernstig ongeval leiden.
21. Knijp voor gebruik de gashendel volledig in om de motor met maximaal toerental te laten draaien.
22. Raadpleeg de gebruiksaanwijzing van het aandrijfsysteem voor het juiste gebruik van de gashendel en schakelaar.
23. Leg tijdens of na gebruik het warme gereedschap niet op droog gras of brandbare materialen.

Vervoeren

1. Alvorens het gereedschap te vervoeren, zet u de motor uit en trekt u de bougiekap eraf of verwijdert u de accu. Plaats altijd de schede over het snijgarnituur wanneer u het gereedschap gaat vervoeren.
2. Wanneer u het gereedschap draagt, draagt u het horizontaal door de schacht vast te pakken. Houd de hete uitlaatdemper uit de buurt van uw lichaam.
3. Wanneer u het gereedschap in een voertuig vervoert, zet u het goed vast om te voorkomen dat het omvalt. Als u dat niet doet, kan brandstof gemorst worden en kan het gereedschap en andere bagage beschadigd worden.

Onderhoud uitvoeren

1. Voordat u enige onderhouds-, reparatie- of schoonmaakwerkzaamheden uitvoert aan het gereedschap, zet u altijd de motor uit en trekt u de bougiekap eraf of verwijdert u de accu. Wacht totdat de motor is afgekoeld.
2. Om de kans op brand te verkleinen, mag u nooit onderhouds- of reparatiewerkzaamheden uitvoeren in de buurt van een vuur.
3. Draag altijd veiligheidshandschoenen wanneer u het snijgarnituur hanteert.
4. Verwijder altijd stof en vuil vanaf het gereedschap. Gebruik voor dit doel nooit benzine, wasbenzine, thinner, alcohol, enz. Dit kan leiden tot verkleuren, vervormen of barsten van de kunststofdelen.
5. Draai na gebruik alle bouten en moeren vast, uitgezonderd de stelschroeven van de carburateur.
6. Houd het snijgarnituur scherp. Als het snijgarnituur bot is geworden en slecht snijdt, vraagt u ons erkende servicecentrum om het te slijpen.

7. Repareer nooit een verbogen of afgebroken snijgarnituur door het recht te buigen of te lassen. Hierdoor kunnen delen van het snijgarnituur losraken en ernstig persoonlijk letsel veroorzaken. Om het snijgarnituur te vervangen, neemt u contact op met ons erkende servicecentrum voor een origineel snijgarnituur van Makita.
8. Probeer geen onderhoud of reparatie uit te voeren die niet in deze gebruiksaanwijzing of de gebruiksaanwijzing van het aandrijfsysteem wordt beschreven. Vraag ons erkend servicecentrum om dergelijke werkzaamheden uit te voeren.
9. Gebruik altijd uitsluitend originele vervangingsonderdelen en accessoires van Makita. Als u onderdelen of accessoires van derden gebruikt, kan het gereedschap defect raken, eigendommen worden beschadigd en/of ernstig letsel worden veroorzaakt.
10. Verzoek regelmatig ons erkend servicecentrum om de heggenschaar te inspecteren en onderhouden.

Opslag

1. Alvorens het gereedschap op te bergen, voert u alle schoonmaak- en onderhoudswerkzaamheden uit. Breng de schede aan.
2. Berg het gereedschap op een droge en hoge of afgesloten plaats op, buiten bereik van kinderen.
3. Laat het gereedschap nooit ergens tegenaan leunen, zoals tegen een muur. Als u dit doet, kan het plotseling omvallen en letsel veroorzaken.

EHBO

1. Zorg dat er altijd een EHBO-doo in de buurt is. Vervang onmiddellijk elk item dat uit de EHBO-doo is genomen.
2. **Geef de volgende informatie wanneer u om hulp vraagt:**
 - Plaats van het ongeval
 - Beschrijving van het ongeval
 - Aantal gewonden
 - Aard van de verwondingen
 - Uw naam

BESCHRIJVING VAN DE ONDERDELEN

► Fig.3

1	Snijgarnituur	2	Tandwielhuis	3	Dop	4	Schede
---	---------------	---	--------------	---	-----	---	--------

MONTAGE

⚠ WAARSCHUWING: Alvorens het gereedschap te monteren of af te stellen, zet u de motor uit en trekt u de bougiekap eraf of verwijdert u de accu. Als u dat niet doet, kan het snijgarnituur of andere onderdelen gaan bewegen en ernstig letsel veroorzaken.

⚠ WAARSCHUWING: Voordat u het snijgarnituur hanteert of in de buurt ervan werkt, trekt u veiligheidshandschoenen aan en schuift u de schede over het snijgarnituur. Als u dat niet doet, kan het snijgarnituur flinke snijwonden veroorzaken in blote handen.

⚠ WAARSCHUWING: Leg het gereedschap altijd op de grond wanneer u het afstelt of onderdelen aanbrengt. Als u onderdelen aanbrengt of het gereedschap afstelt terwijl het rechtop staat, kan ernstig letsel worden veroorzaakt.

⚠ WAARSCHUWING: Volg de waarschuwingen en veiligheidsvoorzorgsmaatregelen in het hoofdstuk "Veiligheidsvoorzorgsmaatregelen" op en raadpleeg de gebruiksaanwijzing van het aandrijfsysteem.

⚠ WAARSCHUWING: Voordat u het apparaat gebruikt, verzekert u zich ervan dat de vergrendelhendel is vastgezet.

Het hulpstuk aan een aandrijfsysteem bevestigen

Om het hulpstuk aan een aandrijfsysteem te bevestigen, volgt u de onderstaande stappen.

1. Zorg ervoor dat de vergrendelhendel niet vast staat.
2. Lijn de pen uit met de pijlmarkering.
3. Steek de schacht in de aandrijfschacht van het aandrijfsysteem tot aan de positielijn en de ontgrendelknop omhoog komt.
4. Zet de vergrendelhendel stevig vast, zoals afgebeeld.

Om het hulpstuk te verwijderen, maakt u de vergrendelhendel los door de vergrendelhendel in tegenovergestelde richting te draaien, drukt u de vergrendelknop in en trekt u de schacht eruit.

- **Fig.4:** 1. Vergrendelhendel 2. Pen 3. Pijlmarkering 4. Positielijn 5. Ontgrendelknop

KENNISGEVING: Zet de vergrendelhendel niet vast zonder dat de schacht van het hulpstuk erin is gestoken. Als u dit doet, kan de vergrendelhendel de ingang voor de aandrijfschacht te ver dichtknijpen en beschadigen.

BEDIENING

⚠WAARSCHUWING: Als het snijgarnituur bij stationair toerental beweegt, verlaagt u het stationair toerental van de motor. Anders komt het snijgarnituur niet tot stilstand wanneer de gashendel wordt losgelaten, waardoor ernstig letsel kan worden veroorzaakt.

⚠WAARSCHUWING: Volg de waarschuwingen en voorzorgsmaatregelen in het hoofdstuk "BELANGRIJKE VEILIGHEIDSINSTRUCTIES" op en raadpleeg de gebruiksaanwijzing van het aandrijfsysteem.

Horizontaal snoeien

Als u een heg horizontaal wilt snoeien, volgt u de onderstaande stappen.

1. Knijp de gashendel volledig in.
2. Houd het snijgarnituur onder een hoek van 15° tot 30° tegen de heg.
3. Snoei de heg met een van rechts naar links zwaaiende beweging.

► **Fig.5**

Verticaal snoeien

Als u een heg verticaal wilt snoeien, volgt u de onderstaande stappen.

1. Knijp de gashendel volledig in.
2. Houd het snijgarnituur parallel aan de heg.
3. Snoei de heg van onder naar boven met een zwaaiende beweging.

► **Fig.6**

ONDERHOUD

⚠WAARSCHUWING: Alvorens het gereedschap te inspecteren of te onderhouden, zet u de motor uit en trekt u de bougiekap eraf of verwijdert u de accu. Als u dat niet doet, kan het snijgarnituur of andere onderdelen gaan bewegen en ernstig letsel veroorzaken.

⚠WAARSCHUWING: Voordat u het snijgarnituur hanteert of in de buurt ervan werkt, trekt u veiligheidshandschoenen aan en schuift u de schede over het snijgarnituur. Tijdens het aanbrengen van onderdelen of afstellen kunnen uw vingers het snijgarnituur raken waardoor ernstig letsel kan worden veroorzaakt.

⚠WAARSCHUWING: Leg het gereedschap altijd op de grond wanneer u het inspecteert of onderhoudt. Als u onderdelen aanbrengt of het gereedschap afstelt terwijl het rechtop staat, kan ernstig letsel worden veroorzaakt.

⚠WAARSCHUWING: Volg de waarschuwingen en voorzorgsmaatregelen in het hoofdstuk "BELANGRIJKE VEILIGHEIDSINSTRUCTIES" op en raadpleeg de gebruiksaanwijzing van het aandrijfsysteem.

Het snijgarnituur inspecteren

Controleer het snijgarnituur dagelijks op beschadigingen, barsten en botte snijranden. Vraag ons erkende servicecentrum om een beschadigd snijgarnituur te vervangen of een bot snijgarnituur te slijpen.

De speling van het snijgarnituur afstellen

De bovenste en onderste delen van het snijgarnituur slijten geleidelijk tijdens gebruik. Als een gladde snede niet meer mogelijk is ondanks dat het snijgarnituur scherp genoeg is, stelt u de speling van het snijgarnituur als volgt af.

De strakheid van de inbusbout bepaalt de speling van het snijgarnituur. De moer houdt de inbusbout met een bepaalde kracht vast. Een te grote speling veroorzaakt een stompe snede, maar een te kleine speling veroorzaakt onnodige warmte en een grotere slijtage van het snijgarnituur.

1. Draai de moeren los met een sleutel.
 2. Draai de inbusbouten iets vast tot ze stoppen. Draai ze daarna elk een kwartslag tot een halve slag terug om de benodigde speling te verkrijgen.
 3. Houd de inbusbouten op hun plaats en draai de moeren vast.
 4. Breng lichte olie aan op de glijvlakken van het snijgarnituur.
 5. Start de motor en knijp beurtelings de gashendel in en laat deze weer los gedurende een minuut.
 6. Meet de tijd die het snijgarnituur nodig heeft om tot stilstand te komen nadat de gashendel is losgelaten. Als dit twee seconden of langer duurt, zet u de motor uit en herhaalt u de stappen 1 tot en met 6.
 7. Zet de motor uit en raak het oppervlak van het snijgarnituur aan. Als dit niet te heet is om aan te raken, is de afstelling correct. Als dit te heet is om aan te raken, draait u de inbusbouten een klein stukje terug en herhaalt u de stappen 5 tot en met 7.
- **Fig.7:** 1. Moer 2. Inbusbout 3. Plaat 4. Beschermkap 5. Bovenste deel van het snijgarnituur 6. Onderste deel van het snijgarnituur

Bewegende delen smeren

KENNISGEVING: Houd u aan de frequentie en de opgegeven hoeveelheid vet. Als u dat niet doet, kunnen door onvoldoende smering de bewegende delen worden beschadigd.

► **Fig.8**

Tandwielhuis:

Breng elke 25 bedrijfsuren vet aan.

1. De smeeropening zit onder de bout. Verwijder de bout om te kunnen smeren.
2. Voeg ongeveer 5 g (7 cc) vet toe in de smeeropening.
3. Breng na het smeren de bout weer aan.

► **Fig.9:** 1. Smeeropening

OPMERKING: Nadat de juiste hoeveelheid vet is bijgevuld, komt een klein beetje vet uit de voet van het snijgarnituur tijdens het eerste gebruik.

Aandrijfas:

Breng elke 25 bedrijfsuren vet aan.

Algehele inspectie

- Draai losse bouten, moeren en schroeven vast.
- Controleer op beschadigde onderdelen en snijgarnituur. Vraag ons erkende servicecentrum om het zo nodig te vervangen.

Opslag

⚠WAARSCHUWING: Volg de waarschuwingen en voorzorgsmaatregelen in het hoofdstuk "BELANGRIJKE VEILIGHEIDSINSTRUCTIES" op en raadpleeg de gebruiksaanwijzing van het aandrijfsysteem.

Als de heggenschaarhulpstuk los van het aandrijfsysteem wordt opgeborgen, brengt u de dop aan op het uiteinde van de schacht.

► **Fig.10**

ONDERHOUDSINTERVAL

		Vóór gebruik	Dagelijks (10 uur)	25 uur	Indien nodig
Hele gereedschap	Visueel inspecteren op beschadigde onderdelen	○	-	-	-
Alle bevestigingsbouten en -moeren	Vastdraaien	○	-	-	-
Snijgarnituur	Inspecteren op beschadigingen, barsten en botte snijranden	-	○	-	-
	De speling afstellen	-	-	-	○
Tandwielhuis	Smeren	-	-	○	-
Aandrijfjas	Smeren	-	-	○	-
Aandrijfsysteem	Raadpleeg de gebruiksaanwijzing van het aandrijfsysteem				

PROBLEMEN OPLOSSEN

Probleemomschrijving	Waarschijnlijke oorzaak (storing)	Oplossing
De motor start niet.	Raadpleeg de gebruiksaanwijzing van het aandrijfsysteem.	Raadpleeg de gebruiksaanwijzing van het aandrijfsysteem.
De motor stopt korte tijd na het starten.	Raadpleeg de gebruiksaanwijzing van het aandrijfsysteem.	Raadpleeg de gebruiksaanwijzing van het aandrijfsysteem.
Het maximumtoerental is begrensd.	Raadpleeg de gebruiksaanwijzing van het aandrijfsysteem.	Raadpleeg de gebruiksaanwijzing van het aandrijfsysteem.
Het snijgarnituur beweegt niet. ⇒ Zet de motor onmiddellijk uit!	Onjuiste hoek van het snijgarnituur.	Zorg ervoor dat de hoekvergrendeling goed aangrijpt.
Het snijgarnituur beweegt niet. ⇒ Zet de motor onmiddellijk uit!	Een takje is verstrikt is geraakt in het snijgarnituur.	Verwijder het vreemde voorwerp.
Het snijgarnituur beweegt niet. ⇒ Zet de motor onmiddellijk uit!	De aandrijving werkt niet goed.	Vraag ons erkende servicecentrum om dit te inspecteren en te repareren.
Het gereedschap trilt abnormaal sterk. ⇒ Zet de motor onmiddellijk uit!	De aandrijving werkt niet goed.	Vraag ons erkende servicecentrum om dit te inspecteren en te repareren.
Het snijgarnituur stopt niet. ⇒ Zet de motor onmiddellijk uit!	Het aandrijfsysteem werkt niet goed.	Raadpleeg de gebruiksaanwijzing van het aandrijfsysteem.

OPTIONELE ACCESSOIRES

⚠ LET OP: Deze accessoires of hulpstukken worden aanbevolen voor gebruik met het Makita gereedschap dat in deze gebruiksaanwijzing is beschreven. Bij gebruik van andere accessoires of hulpstukken bestaat het gevaar van persoonlijke letsel. Gebruik de accessoires of hulpstukken uitsluitend voor hun bestemde doel.

Wenst u meer bijzonderheden over deze accessoires, neem dan contact op met het plaatselijke Makita-servicecentrum.

- Snijgarnituur

OPMERKING: Sommige items op de lijst kunnen zijn inbegrepen in de doos van het gereedschap als standaard toebehoren. Deze kunnen van land tot land verschillen.

ESPECIFICACIONES

Modelo:	EN410MP
Dimensiones (La x An x Al)	1.104 mm x 85 mm x 61 mm (43-1/2" x 3-3/8" x 2-3/8")
Peso neto	2,0 kg (4,5 lbs)
Longitud de corte eficaz	490 mm (19-1/4")
Relación de engranajes	1 : 4,7

- Debido a nuestro continuado programa de investigación y desarrollo, las especificaciones aquí dadas están sujetas a cambios sin previo aviso.
- Las especificaciones pueden ser diferentes de país a país.

Unidad motriz homologada

ADVERTENCIA: No utilice nunca el accesorio con una unidad motriz no homologada. Una combinación no homologada puede ocasionar heridas graves.

Este accesorio ha sido homologado para ser utilizado solamente con la unidad(es) motriz siguiente:

- (Cabezal motriz multifunción)
EX2650LH
- (Cabezal motriz multifunción inalámbrico)
BUX360, BUX361, BUX362, UX360D, UX361D, UX362D, DUX60, XUX01, DUX18, XUX02, UX01G, GUX01

Accesorio homologado

ADVERTENCIA: No utilice nunca un accesorio no homologado. Una combinación no homologada puede ocasionar heridas graves.

Este accesorio ha sido homologado para ser utilizado solamente con el (los) accesorio(s) siguiente(s):

- (Extensión del Eje)
LE400MP

Símbolos

A continuación se muestran los símbolos que pueden ser utilizados para el equipo. Asegúrese de que entiende su significado antes de utilizar.

	Lea y siga el manual de instrucciones.
	¡Preste cuidado y atención especiales!
	¡Prohibido!
	Tenga cuidado con los cables eléctricos. Riesgo de descarga eléctrica.
	PELIGRO - Mantenga las manos alejadas de la cuchilla.
	Póngase guantes de protección.
	Póngase casco de protección, y protección para los ojos y oídos.
	Utilice botas robustas con suelas antideslizantes.
	Mantenga a los transeúntes y animales alejados al menos 15 m de la herramienta eléctrica.
	Mantenga el área de operación despejada de todas las personas y animales domésticos.

	Superficies calientes - Quemarán sus dedos o manos.
	Primeros auxilios
	Nivel de potencia del sonido garantizado de acuerdo con la Directiva UE sobre ruido ambiental.
	Nivel de potencia del sonido de acuerdo con el reglamento para el control de ruido en NSW, Australia

Uso previsto

Este accesorio ha sido diseñado para la sola finalidad de recortar arbustos y setos en conjunción con una unidad motriz homologada. No utilice nunca el accesorio para otra finalidad. Abusar del accesorio puede ocasionar heridas graves.

Declaración de conformidad CE

Para países europeos solamente

Nosotros como los fabricantes: **Makita Europe N.V.**, Dirección comercial: **Jan-Baptist Vinkstraat 2 3070 Kortenberg BÉLGICA**. Autorizamos a **Hiroshi Tsujimura** para la compilación del archivo técnico y declaramos ante nuestra sola responsabilidad que el(los) producto(s); Designación: **Accesorio para Cortasetos**. Designación de tipo(s): **EN410MP**.

Cumple con todas las disposiciones pertinentes de **2006/42/CE** y también cumple con todas las disposiciones pertinentes de las Directivas CE/UE siguientes: **2000/14/CE** y están fabricados de acuerdo con los estándares unificados siguientes: **EN ISO 10517:2019, EN 62841-4-2:2019**.

Lugar y fecha de la declaración: **Kortenberg, Bélgica. 1. 5. 2022**
Persona responsable: **Hiroshi Tsujimura, Director - Makita Europe N.V.**

ADVERTENCIAS DE SEGURIDAD

Advertencias de seguridad para la desmalezadora eléctrica

1. **Mantenga todas las partes del cuerpo alejadas de la cuchilla. No retire el material cortado ni sujete el material que va a cortar cuando las cuchillas estén moviéndose.** Las cuchillas siguen moviéndose después de desactivar el interruptor. Un momento de inatención mientras está operando el cortasetos puede resultar en heridas personales graves.
2. **Transporte el cortasetos agarrándolo por el mango con la cuchilla parada y teniendo cuidado de no accionar ningún interruptor de alimentación.** Un transporte correcto del cortasetos disminuirá el riesgo de una puesta en marcha involuntaria que podría resultar en heridas personales con las cuchillas.
3. **Cuando transporte o almacene el cortasetos, coloque siempre la cubierta de las cuchillas.** Un manejo correcto del cortasetos disminuirá el riesgo de heridas personales con las cuchillas.

4. Cuando retire material atascado o haga el servicio a la unidad, asegúrese de que todos los interruptores de alimentación están desactivados y la batería ha sido retirada o desconectada. Una puesta en marcha del cortasetos inesperada mientras retira material atascado o hace el servicio podrá resultar en heridas personales graves.
5. Sujete el cortasetos por las superficies de asiento aisladas solamente, porque la cuchilla puede entrar en contacto con cableado oculto. El contacto de las cuchillas con un cable con corriente hará que la corriente circule por las partes metálicas expuestas del cortasetos y podrá soltar una descarga eléctrica al operario.
6. Mantenga todos los cables de alimentación y otros cables alejados del área de corte. Puede haber cables de alimentación u otros cables ocultos en los setos o arbustos y la cuchilla puede cortarlos accidentalmente.
7. No utilice el cortasetos en malas condiciones meteorológicas, especialmente cuando haya riesgo de relámpagos. Esto disminuirá el riesgo de sufrir el impacto de un rayo.

Advertencias de seguridad para el cortasetos de alcance ampliado

1. Para reducir el riesgo de electrocución, no utilice nunca el cortasetos de alcance ampliado cerca de cualquier línea eléctrica. El contacto con líneas eléctricas o el uso cerca de ellas puede ocasionar heridas graves o una descarga eléctrica resultando en la muerte.
2. Utilice siempre las dos manos cuando opere el cortasetos de alcance ampliado. Sujete el cortasetos de alcance ampliado con ambas manos para evitar la pérdida del control.
3. Utilice siempre protección para la cabeza cuando opere el cortasetos de alcance ampliado en lo alto. La caída de restos puede resultar en heridas personales graves.

INSTRUCCIONES DE SEGURIDAD IMPORTANTES

⚠️ ADVERTENCIA: Lea todas las advertencias de seguridad y todas las instrucciones de este folleto y del manual de instrucciones de la unidad motriz. No seguir las advertencias e instrucciones puede resultar en una descarga eléctrica, un incendio y/o heridas graves.

⚠️ ADVERTENCIA: Guarde todas las advertencias e instrucciones para futuras consultas.

El término "cortasetos" y "equipo" en las advertencias y precauciones se refieren a la combinación del accesorio y la unidad motriz.

El término "motor" en las advertencias y precauciones se refiere al motor o motor eléctrico de la unidad motriz.

Precauciones generales

1. Antes de poner en marcha el cortasetos, lea este folleto y el manual de instrucciones de la unidad motriz para familiarizarse con el manejo del cortasetos.
2. No preste el accesorio a una persona con insuficiente experiencia o conocimiento acerca del manejo de cortasetos.
3. Cuando preste el accesorio, incluya siempre este manual de instrucciones.
4. No permita que niños o personas jóvenes de menos de 18 años de edad utilicen el cortasetos. Manténgalos alejados del cortasetos.
5. Utilice el cortasetos con sumo cuidado y atención.
6. No utilice nunca el cortasetos después de consumir alcohol o drogas, o si se siente cansado o enfermo.
7. No intente nunca modificar el accesorio.
8. Siga los reglamentos de su país sobre el manejo de cortasetos.

Equipo de protección personal

► Fig.1

1. Póngase casco de seguridad, gafas de protección y guantes de protección para protegerse de los restos que salen volando u objetos que caigan.
2. Póngase protección para los oídos como orejeras para evitar pérdida auditiva.
3. Póngase ropa y zapatos apropiados como un mono de trabajo y zapatos robustos con suela antideslizante para realizar la operación con seguridad. No se ponga ropa holgada o joyas. Las ropas holgadas, las joyas y el cabello largo se pueden enganchar en las partes móviles.
4. Cuando toque las cuchillas o ajuste el ángulo de las cuchillas, póngase guantes de protección. Las cuchillas pueden cortar las manos desnudas gravemente.

Seguridad en el área de trabajo

⚠️ ADVERTENCIA: Mantenga el cortasetos alejado de cables eléctricos y cables de comunicación. Tocar o acercarse a cables de alta tensión con el cortasetos puede resultar en la muerte o heridas graves. Observe si hay cables eléctricos y vallas eléctricas alrededor del área de trabajo antes de comenzar la operación.

⚠️ ADVERTENCIA: La utilización de este producto puede crear polvo con contenido de sustancias químicas que puede ocasionar trastornos respiratorios y otros males. Algunos ejemplos de estas sustancias químicas son los compuestos hallados en pesticidas, insecticidas, fertilizantes y herbicidas. El riesgo que usted corre a causa de estas exposiciones varía dependiendo de la frecuencia con que haga este tipo de trabajo. Para reducir su exposición a estas sustancias químicas: trabaje en un área bien ventilada, y trabaje con equipo de seguridad homologado, como esas máscaras contra el polvo que están especialmente diseñadas para filtrar partículas microscópicas.

1. Utilice el cortasetos en buenas condiciones de visibilidad y a la luz del día solamente. No utilice el cortasetos en la oscuridad o con niebla.
2. Ponga en marcha y utilice el motor solamente en exteriores en un área bien ventilada. La utilización en un área confinada o mal ventilada puede resultar en la muerte debido a sofocación o envenenamiento por monóxido de carbono.
3. Durante la operación, no se ponga nunca sobre una superficie inestable o resbaladiza o en una pendiente empinada. Durante la estación fría tenga cuidado con el hielo y la nieve y asegúrese siempre de que pisa suelo firme.
4. Durante la operación, mantenga a los transeúntes o animales alejados al menos 15 m del cortasetos. Pare el motor en cuanto alguien se acerque.
5. Antes de la operación, examine el área de trabajo por si hay cercas alambradas, piedras u otros objetos sólidos. Ellos pueden dañar las cuchillas.

Puesta en operación

1. Antes de ensamblar o ajustar el equipo, apague el motor y retire el capuchón de la bujía o el cartucho de batería.
2. Antes de ensamblar las cuchillas o ajustar el ángulo de corte, póngase guantes de protección.
3. Antes de poner en marcha el motor, inspeccione el equipo por si hay daños, tornillos/tuercas flojos o un ensamblaje incorrecto. Reemplace las cuchillas si están agrietadas, torcidas o dañadas. Compruebe todas las palancas de control e interruptores para ver que se accionan con facilidad. Limpie y seque los mangos.
4. No intente nunca poner en marcha el motor si el equipo está dañado o no ensamblado completamente. De lo contrario podrá resultar en heridas graves.
5. Ajuste el arnés de hombro y la empuñadura para acomodarlos al tamaño del cuerpo del operario.

Operación

1. En el caso de una emergencia, apague el motor inmediatamente.
2. Si siente cualquier condición inusual (por ejemplo, ruido, vibración) durante la operación, apague el motor. No utilice el cortasetos hasta haber reconocido y resuelto la causa.
3. Las cuchillas continúan moviéndose durante un periodo corto después de soltar el gatillo del acelerador o apagar el motor. No se precipite a tocar las cuchillas.
4. Con el motor en marcha solamente a ralentí, coloque el arnés de hombro.
5. Durante la operación, utilice el arnés de hombro. Mantenga el cortasetos en su costado derecho firmemente.

► Fig.2

6. Sujete el mango delantero con la mano izquierda y la empuñadura trasera con la mano derecha, independientemente de si usted es diestro o zurdo. Pliegue sus dedos y pulgares alrededor de los mangos.
7. No intente nunca utilizar el equipo con una mano. La pérdida de control puede resultar en heridas graves o fatales. Para reducir el riesgo de sufrir heridas por corte, mantenga las manos y los pies alejados de las cuchillas.
8. No trabaje donde no alcance. Mantenga los pies sobre suelo firme y el equilibrio en todo momento. Observe por si hay obstáculos ocultos como troncos de árboles cortados, raíces y zanjas para evitar tropezar. Retire las ramas caídas y otros objetos.
9. No trabaje nunca subido en una escalera o a un árbol para evitar perder el control.

10. No sujete la máquina por encima de la altura de los hombros.
11. Durante la operación, no golpee nunca las cuchillas contra obstáculos duros como piedras y metales. Tenga cuidado particular cuando corte setos junto a o contra cercas alambradas. Cuando trabaje cerca del suelo, asegúrese de que no entre arena, grava o piedras entre las cuchillas.
12. Si las cuchillas entran en contacto con piedras u otros objetos sólidos, pare el motor inmediatamente y compruebe las cuchillas por si están dañadas después de retirar la bujía o el cartucho de batería. Reemplace las cuchillas si están dañadas.
13. Si ramas gruesas se atascan en las cuchillas, apague el motor inmediatamente y luego retire la obstrucción después de retirar la bujía o el cartucho de batería. Compruebe las cuchillas por si están dañadas antes de utilizar el equipo otra vez.
14. No toque nunca o se acerque a las cuchillas mientras se están moviendo. Las cuchillas pueden cortar sus dedos fácilmente. Cuando maneje las cuchillas o ajuste el ángulo de las cuchillas, pare el motor y retire el capuchón de la bujía o el cartucho de batería.
15. Acelerar el motor con las cuchillas bloqueadas aumenta la carga y dañará el motor y/o el embrague.
16. Compruebe las cuchillas de corte con frecuencia durante la operación por si tienen grietas o los bordes desafilados. Antes de la inspección, apague el motor y espere hasta que las cuchillas se hayan parado completamente. Reemplace las cuchillas dañadas o embotadas inmediatamente, aunque solamente tengan grietas superficiales.
17. Si el equipo sufre un impacto grave o se cae, compruebe la condición antes de continuar trabajando. Compruebe el sistema de combustible por si hay fugas de combustible y los controles y dispositivos de seguridad por si funcionan mal. Si hay cualquier daño o tiene dudas, pida a nuestro centro de servicio autorizado que hagan la inspección y reparación.
18. No toque la caja de engranajes. La caja de engranajes se vuelve caliente durante la operación.
19. Descanse para evitar la pérdida de control a causa de la fatiga. Recomendamos descansar de 10 a 20 minutos cada hora.
20. Cuando deje el equipo, aunque solo sea durante un tiempo corto, apague siempre el motor o retire el cartucho de batería. El equipo sin atender con el motor en marcha puede ser utilizado por una persona no autorizada y ocasionar un accidente grave.
21. Antes de cortar, apriete la palanca del acelerador completamente para alcanzar la máxima velocidad.
22. Siga el manual de instrucciones de la unidad motriz para hacer un uso apropiado de la palanca de control y el interruptor.
23. Durante o después de la operación, no ponga el equipo caliente sobre hierba seca o materiales combustibles.

Transporte

1. Antes de transportar el equipo, apague el motor y retire el capuchón de la bujía o el cartucho de batería. Coloque siempre la cubierta de las cuchillas durante el transporte.
2. Cuando traslade el equipo, llévelo siempre en posición horizontal cogiéndolo por el eje. Mantenga el silenciador caliente alejado de su cuerpo.
3. Cuando transporte el equipo en un vehículo, sujételo debidamente para evitar que se vuelque. De lo contrario resultará en derrame de combustible y daños al equipo y otros equipajes.

Mantenimiento

1. Antes de hacer cualquier trabajo de mantenimiento o reparación o limpieza, apague siempre el motor y retire el capuchón de la bujía o el cartucho de batería. Espere hasta que el motor se enfríe.
2. Para reducir el riesgo de un incendio, no haga nunca el servicio al equipo cerca de fuego.
3. Póngase siempre guantes de protección cuando maneje las cuchillas.
4. Limpie siempre el polvo y la suciedad del equipo. No utilice nunca gasolina, bencina, diluyente, alcohol o similar para el propósito. Puede resultar en decoloración, deformación o agrietamiento de los componentes de plástico.
5. Después de cada utilización, apriete todos los tornillos y tuercas, excepto los tornillos de ajuste del carburador.
6. Mantenga el implemento de corte afilado. Si las cuchillas de corte se desafilan y el rendimiento de corte no es bueno, pida a nuestro centro de servicio autorizado que afilen las cuchillas.
7. No repare nunca cuchillas torcidas o rotas enderezándolas o soldándolas. Ello puede ocasionar que partes de las cuchillas se suelten y resultar en heridas graves. Póngase en contacto con nuestro centro de servicio autorizado para obtener cuchillas genuinas de Makita para reemplazarlas.

8. No intente realizar ningún mantenimiento o reparación no descrito en este folleto o el manual de instrucciones de la unidad motriz. Pida a nuestro centro de servicio autorizado que hagan esos trabajos.
9. Utilice siempre piezas de repuesto y accesorios genuinos de Makita solamente. Utilizar piezas o accesorios suministrados por un tercero puede resultar en una rotura del equipo, daños a la propiedad y/o heridas graves.
10. Solicite a nuestro centro de servicio autorizado que inspeccionen y hagan el mantenimiento al cortasetos a intervalos regulares.

Almacenamiento

1. Antes de almacenar el equipo, realice una limpieza y mantenimiento completos. Coloque la cubierta de las cuchillas.
2. Almacene el equipo en un lugar seco y alto o cerrado con llave fuera del alcance de los niños.
3. No apoye el equipo contra algo, como una pared. De lo contrario el cortasetos podrá caerse de repente y ocasionar una herida.

Primeros auxilios

1. Tenga siempre un botiquín de primeros auxilios a mano. Reemplace inmediatamente cualquier elemento tomado del botiquín de primeros auxilios.
2. **Cuando pida ayuda, ofrezca la información siguiente:**
 - Lugar del accidente
 - Qué ha ocurrido
 - Número de personas heridas
 - Carácter de la herida
 - Su nombre

DESCRIPCIÓN DE LAS PARTES

► Fig.3

1	Cuchillas	2	Caja de engranajes	3	Tapa	4	Cubierta de las cuchillas
---	-----------	---	--------------------	---	------	---	---------------------------

MONTAJE

⚠ ADVERTENCIA: Antes de ensamblar o ajustar el equipo, apague el motor y retire el capuchón de la bujía o el cartucho de batería. De lo contrario las cuchillas u otras partes podrán moverse y resultar en heridas graves.

⚠ ADVERTENCIA: Antes de manejar o trabajar alrededor de las cuchillas, póngase guantes de protección y ponga la cubierta de las cuchillas en las cuchillas. De lo contrario las cuchillas podrán cortar las manos desnudas gravemente.

⚠ ADVERTENCIA: Cuando ensamble o ajuste el equipo, póngalo siempre en el suelo. Ensamblar o ajustar el equipo en una posición vertical puede resultar en heridas graves.

⚠ ADVERTENCIA: Siga las advertencias y precauciones del capítulo "Precauciones de seguridad" y el manual de instrucciones de la unidad motriz.

⚠ ADVERTENCIA: Antes de operar el equipo, asegúrese de que la palanca de bloqueo está apretada.

Montaje del accesorio en una unidad motriz

Para montar el accesorio en una unidad motriz, siga los pasos de abajo.

1. Asegúrese de que la palanca de bloqueo no está apretada.
 2. Alinee el pasador con la marca de flecha.
 3. Inserte el eje en el eje propulsor de la unidad motriz hasta la línea de posición y el botón de liberación emergerá.
 4. Apriete la palanca de bloqueo firmemente como se muestra.
- Para retirar el accesorio, afloje la palanca de bloqueo girándola en dirección opuesta, y presione el botón de bloqueo y extraiga el eje.
- Fig.4: 1. Palanca de bloqueo 2. Pasador 3. Marca de flecha 4. Línea de posición 5. Botón de liberación

AVISO: No apriete la palanca de bloqueo sin haber insertado el eje del accesorio. De lo contrario la palanca de bloqueo podrá apretar demasiado la entrada del eje propulsor y dañarla.

OPERACIÓN

⚠ADVERTENCIA: Si las cuchillas se mueven a ralentí, ajuste la velocidad a ralentí del motor a menos velocidad. De lo contrario no podrá parar las cuchillas con el acelerador cerrado y podrá ocasionar heridas graves.

⚠ADVERTENCIA: Siga las advertencias y precauciones del capítulo "INSTRUCCIONES DE SEGURIDAD IMPORTANTES" y el manual de instrucciones de la unidad motriz.

Corte horizontal

Cuando recorte setos horizontalmente, siga los pasos de abajo.

1. Apriete la palanca del acelerador completamente.
2. Aplique las cuchillas al seto con un ángulo de 15° a 30°.
3. Recorte el seto con un movimiento de oscilación de derecha a izquierda.

► Fig.5

Corte vertical

Cuando recorte setos verticalmente, siga los pasos de abajo.

1. Apriete la palanca del acelerador completamente.
2. Aplique las cuchillas al seto paralelas las unas al otro.
3. Recorte el seto de abajo arriba con un movimiento de oscilación.

► Fig.6

MANTENIMIENTO

⚠ADVERTENCIA: Antes de inspeccionar o hacer el mantenimiento al equipo, apague el motor y retire el capuchón de la bujía o el cartucho de batería. De lo contrario las cuchillas u otras partes podrán moverse y resultar en heridas graves.

⚠ADVERTENCIA: Antes de manejar o trabajar alrededor de las cuchillas, póngase guantes de protección y ponga la cubierta de las cuchillas en las cuchillas. Durante el ensamblaje o ajuste, sus dedos podrán entrar en contacto con las cuchillas y esto puede ocasionar heridas graves.

⚠ADVERTENCIA: Cuando inspeccione o haga el mantenimiento al equipo, ponga siempre el equipo en el suelo. Ensamblar o ajustar el equipo en una posición vertical puede resultar en heridas graves.

⚠ADVERTENCIA: Siga las advertencias y precauciones del capítulo "INSTRUCCIONES DE SEGURIDAD IMPORTANTES" y el manual de instrucciones de la unidad motriz.

Inspección de las cuchillas

Compruebe las cuchillas diariamente por si están dañadas, agrietadas y tienen el borde embotado. Pida a nuestro centro de servicio autorizado que reemplacen las cuchillas dañadas o afilen las cuchillas embotadas.

Ajuste de la holgura de las cuchillas

Las cuchillas superiores/inferiores se desgastan gradualmente con las operaciones. Si no puede obtener un corte limpio aunque las cuchillas estén lo suficiente afiladas, ajuste la holgura de la forma siguiente.

El apriete del perno hexagonal decide la holgura de las cuchillas. La tuerca sujeta el perno hexagonal con cierto grado de apriete. Una holgura demasiado grande ocasiona un corte embotado, pero una holgura demasiado pequeña ocasiona un calor innecesario y un desgaste más rápido de las cuchillas.

1. Afloje las tuercas con una llave.
2. Apriete los pernos hexagonales ligeramente hasta que se detengan. Y después, vuelva a rosarlos de un cuarto a media vuelta cada uno para obtener la holgura necesaria.
3. Sujete los pernos hexagonales y apriete las tuercas.
4. Aplique aceite fluido a la superficie de fricción de las cuchillas.
5. Ponga en marcha el motor y opere el acelerador abriéndolo y cerrándolo durante un minuto.
6. Mida el tiempo que las cuchillas necesitan para pararse después de soltar el acelerador. Si el tiempo es de dos segundos o más, apague el motor y repita los pasos 1 al 6.

7. Apague el motor y toque la superficie de las cuchillas. Si no están muy calientes para tocarlas, habrá hecho un ajuste correcto. Si están muy calientes para tocarlas, vuelva a girar los pernos hexagonales un poco y repita los pasos 5 al 7.

► Fig.7: 1. Tuerca 2. Perno hexagonal 3. Placa 4. Protector de las cuchillas 5. Cuchilla superior 6. Cuchilla inferior

Lubricación de las partes móviles

AVISO: Siga las instrucciones para la frecuencia y cantidad de grasa a suministrar. De lo contrario una lubricación insuficiente podrá dañar las partes móviles.

► Fig.8

Caja de engranajes:

Aplique grasa cada 25 horas de trabajo.

1. El agujero de engrase se encuentra debajo del perno. Retire el perno para lubricar.
2. Añada aprox. 5 g (7 cc) de grasa al agujero de engrase.
3. Vuelva a poner el perno después de lubricar.

► Fig.9: 1. Agujero de engrase

NOTA: Después de rellenar la cantidad correcta de grasa, durante la primera operación saldrá un poco de grasa por la base de las cuchillas.

Árbol propulsor:

Aplique grasa cada 25 horas de trabajo.

Inspección general

- Apriete los pernos, tuercas y tornillos flojos.
- Compruebe por si hay partes y cuchillas dañadas. Pida a nuestro centro de servicio autorizado que las reemplacen si es necesario.

Almacenamiento

⚠ADVERTENCIA: Siga las advertencias y precauciones del capítulo "INSTRUCCIONES DE SEGURIDAD IMPORTANTES" y el manual de instrucciones de la unidad motriz.

Cuando almacene el accesorio para cortasetos separado de la unidad motriz, ponga la tapa en extremo del eje.

► Fig.10

INTERVALO DE MANTENIMIENTO

		Antes de la operación	Diariamente (10 h)	25 h	Si se requiere
Toda la unidad	Inspeccione visualmente por si hay partes dañadas	○	-	-	-
Todos los tornillos y tuercas de fijación	Apretar	○	-	-	-
Cuchillas	Inspeccione por si están dañadas, agrietadas y con los bordes embotados	-	○	-	-
	Ajuste de la holgura	-	-	-	○
Caja de engranajes	Suministre grasa	-	-	○	-
Árbol propulsor	Suministre grasa	-	-	○	-
Unidad motriz	Consulte el manual de instrucciones de la unidad motriz				

SOLUCIÓN DE PROBLEMAS

Estado de anomalía	Causa probable (mal funcionamiento)	Remedio
El motor no se pone en marcha.	Consulte el manual de instrucciones de la unidad motriz.	Consulte el manual de instrucciones de la unidad motriz.
El motor se para poco después de ponerse en marcha.	Consulte el manual de instrucciones de la unidad motriz.	Consulte el manual de instrucciones de la unidad motriz.
La velocidad máxima está limitada.	Consulte el manual de instrucciones de la unidad motriz.	Consulte el manual de instrucciones de la unidad motriz.
Las cuchillas no se mueven. ⇒ ¡Detenga el motor inmediatamente!	Ángulo de la unidad de corte incorrecto.	Asegúrese de que el bloqueo de ángulo se acciona debidamente.
Las cuchillas no se mueven. ⇒ ¡Detenga el motor inmediatamente!	Una pequeña rama se ha enganchado en las cuchillas.	Retire la materia extraña.
Las cuchillas no se mueven. ⇒ ¡Detenga el motor inmediatamente!	El sistema de accionamiento no funciona debidamente.	Pida a nuestro centro de servicio autorizado que lo inspeccionen y reparen.
La unidad vibra de forma anormal. ⇒ ¡Detenga el motor inmediatamente!	El sistema de accionamiento no funciona debidamente.	Pida a nuestro centro de servicio autorizado que lo inspeccionen y reparen.
Las cuchillas no se paran. ⇒ ¡Detenga el motor inmediatamente!	La unidad motriz no funciona debidamente.	Consulte el manual de instrucciones de la unidad motriz.

ACCESORIOS OPCIONALES

⚠PRECAUCIÓN: Estos accesorios o aditamentos están recomendados para su uso con la herramienta Makita especificada en este manual. El uso de cualquier otro accesorio o aditamento puede suponer un riesgo de heridas personales. Utilice el accesorio o aditamento solamente con la finalidad indicada para el mismo.

Si necesita cualquier ayuda para más detalles en relación con estos accesorios, pregunte al centro de servicio Makita local.

- Juego de cuchillas

NOTA: Algunos elementos de la lista podrán estar incluidos en el paquete de la herramienta como accesorios estándar. Pueden variar de un país a otro.

ESPECIFICAÇÕES

Modelo:	EN410MP
Dimensões (A x L x C)	1.104 mm x 85 mm x 61 mm (43-1/2" x 3-3/8" x 2-3/8")
Peso bruto	2,0 kg (4,5 lbs)
Comprimento de corte efetivo	490 mm (19-1/4")
Relação de engrenagens	1 : 4,7

- Devido a um programa contínuo de pesquisa e desenvolvimento, estas especificações podem ser alteradas sem aviso prévio.
- As especificações podem variar de país para país.

Unidade de alimentação aprovada

AVISO: Nunca utilize a fixação com uma unidade de alimentação que não seja aprovada. Uma combinação não aprovada pode provocar ferimentos graves.

Esta fixação está aprovada para utilização apenas com a(s) seguinte(s) unidade(s) de alimentação:

- (Cabeça de alimentação multifunções)
EX2650LH
- (Cabeça de alimentação multifunções sem fios)
BUX360, BUX361, BUX362, UX360D, UX361D, UX362D,
DUX60, UX01, DUX18, UX02, UX01G, GUX01

Implemento aprovado

AVISO: Nunca utilize um implemento não aprovado. Uma combinação não aprovada pode provocar ferimentos graves.

Este implemento está aprovado para utilização em conjunto com o(s) seguinte(s) implemento(s):

- (Extensão do Tubo)
LE400MP

Símbolos

A seguir são apresentados os símbolos que podem ser utilizados para o equipamento. Certifique-se de que compreende o seu significado antes da utilização.

	Leia e siga o manual de instruções.
	Tome especial cuidado e atenção!
	Proibido!
	Tenha cuidado com as linhas elétricas. Risco de choque elétrico.
	PERIGO - Mantenha as mãos afastadas da lâmina.
	Use luvas de proteção.
	Use capacete de proteção, proteção ocular e auricular.
	Use botas resistentes com solas antidesslizantes.
	Mantenha os espectadores e animais a, pelo menos, 15 m de distância da ferramenta elétrica.
	Mantenha a área de operação livre de todas as pessoas e animais.
	Superfícies quentes - Queimaduras nos dedos ou nas mãos.



Primeiros socorros



Nível de potência sonora garantido de acordo com a Diretiva de ruído ambiente da UE.



Nível de potência sonora de acordo com o Regulamento de controlo do ruído de NSW da Austrália

Utilização pretendida

Esta fixação foi concebida apenas para o fim de aparar arbustos e sebes em conjunto com uma unidade de alimentação aprovada. Nunca utilize a fixação para outros fins. A utilização abusiva da fixação pode provocar ferimentos graves.

Declaração de conformidade CE

Apenas para os países europeus

Nós, na qualidade de fabricantes de **Makita Europe N.V.**, Endereço comercial: **Jan-Baptist Vinkstraat 2 3070 Kortenberg BÉLGICA.**

Autorizamos **Hiroshi Tsujimura** a compilar o ficheiro técnico e declaramos, mediante a nossa única responsabilidade, que o(s) produto(s);

Designação: **Implemento Aparador de Cerca Viva.** Designação do(s) tipo(s): **EN410MP.**

Cumprir todas as disposições relevantes da Diretiva **2006/42/CE** e também cumprir todas as disposições relevantes da seguinte Diretiva CE/UE: **2000/14/CE**, e é fabricado de acordo com a seguinte norma harmonizada: **EN ISO 10517:2019, EN 62841-4-2:2019.**

Local e data da declaração: **Kortenberg, Bélgica. 1. 5. 2022**

Pessoa responsável: **Hiroshi Tsujimura, Diretor - Makita Europe N.V.**

AVISOS DE SEGURANÇA

Avisos de segurança do aparador de cerca viva elétrico

1. **Mantenha todas as partes do corpo afastadas da lâmina. Não remova material de corte nem fixe material a cortar quando as lâminas estiverem em movimento.** As lâminas continuam a mover-se após o interruptor ser desligado. Um momento de desatenção enquanto utiliza o aparador de cerca viva pode resultar em ferimentos pessoais graves.
2. **Transporte o aparador de cerca viva pela pega com a lâmina parada e tendo cuidado para não operar qualquer interruptor de alimentação.** O transporte adequado do aparador de cerca viva irá diminuir o risco de arranque inadvertido e consequentes ferimentos pessoais provocados pelas lâminas.
3. **Quando transportar ou armazenar o aparador de cerca viva, coloque sempre a cobertura da lâmina.** O manuseamento adequado do aparador de cerca viva irá diminuir o risco de ferimentos pessoais provocados pelas lâminas.
4. **Quando limpar material encravado ou efetuar a manutenção da unidade, certifique-se de que todos os interruptores de alimentação estão desligados e que a bateria foi removida ou desligada.** O acionamento inesperado do aparador de cerca viva enquanto limpa material encravado ou efetua a manutenção pode resultar em ferimentos pessoais graves.

5. **Segure o aparador de cerca viva apenas pelas superfícies de agarrar isoladas, porque a lâmina pode entrar em contacto com fios ocultos.** O contacto das lâminas com um fio sob tensão pode colocar as peças metálicas expostas do aparador de cerca viva sob tensão e pode provocar um choque elétrico no operador.
6. **Mantenha todos os cabos de alimentação afastados da área de corte.** Os cabos de alimentação podem estar ocultos em sebes ou arbustos e podem ser acidentalmente cortados pela lâmina.
7. **Não utilize o aparador de cerca viva em más condições atmosféricas, especialmente quando existe o risco de relâmpagos.** Isto reduz o risco de ser atingido por um relâmpago.

Avisos de segurança do aparador de cerca viva de maior alcance

1. **Para reduzir o risco de eletrocussão, nunca utilize o aparador de cerca viva de maior alcance perto de quaisquer linhas elétricas.** O contacto com ou a utilização perto de linhas elétricas pode provocar ferimentos graves ou choque elétrico que conduz à morte.
2. **Utilize sempre as duas mãos quando utilizar o aparador de cerca viva de maior alcance.** Segure o aparador de cerca viva de maior alcance com as duas mãos para evitar a perda de controlo.
3. **Utilize sempre proteção para a cabeça quando utilizar o aparador de cerca viva de maior alcance acima da cabeça.** A queda de detritos pode resultar em ferimentos pessoais graves.

INSTRUÇÕES DE SEGURANÇA IMPORTANTES

AVISO: Leia todos os avisos de segurança e todas as instruções neste livro e no manual de instruções da unidade de alimentação. O não seguimento dos avisos e instruções pode resultar em choque elétrico, incêndio e/ou ferimentos graves.

AVISO: Guarde todos os avisos e instruções para referência futura.

Os termos “aparador de cerca viva” e “equipamento” nos avisos e precauções referem-se à combinação da fixação e da unidade de alimentação.

O termo “motor” nos avisos e precauções refere-se ao motor ou ao motor elétrico da unidade de alimentação.

Precauções gerais

1. Antes de pôr o aparador de cerca viva a funcionar, leia este livro e o manual de instruções da unidade de alimentação para se familiarizar com o manuseamento do aparador de cerca viva.
2. Não empreste a fixação a uma pessoa com experiência ou conhecimentos insuficientes no que se refere ao manuseamento dos aparadores de cerca viva.
3. Quando se empresta a fixação, anexe sempre este manual de instruções.
4. Não permita que crianças ou jovens com menos de 18 anos utilizem o aparador de cerca viva. Mantenha-os afastados do aparador de cerca viva.
5. Manuseie o aparador de cerca viva com o máximo cuidado e atenção.
6. Nunca utilize o aparador de cerca viva depois de consumir álcool ou drogas ou se se sentir cansado ou doente.
7. Nunca tente modificar a fixação.
8. Siga a regulamentação acerca do manuseamento dos aparadores de cerca viva vigentes no seu país.

Equipamentos de proteção pessoal

► Fig.1

1. Use um capacete de segurança, óculos de segurança e luvas de proteção para se proteger de resíduos aerotransportados ou objetos em queda.
2. Utilize proteção auricular, como tampões para os ouvidos, para impedir a perda auditiva.
3. Use vestuário e sapatos apropriados para a operação segura, como um macacão de trabalho e sapatos resistentes antideslizantes. Não use vestuário largo nem joias. O vestuário largo, as joias ou o cabelo comprido podem ser apanhados nas peças móveis.
4. Quando tocar nas lâminas ou ajustar o ângulo da lâmina, use luvas de proteção. As lâminas podem cortar gravemente as mãos nuas.

Segurança da área de trabalho

AVISO: Mantenha o aparador de cerca viva afastado das linhas elétricas e dos cabos de comunicação. Tocar ou aproximar-se de linhas de alta tensão com o aparador de cerca viva pode resultar em morte ou ferimentos graves. Observe onde estão as linhas de alimentação e as cercas de arame em volta da área de trabalho antes de iniciar a operação.

AVISO: A utilização deste produto pode criar poeiras que contêm químicos que podem provocar doenças respiratórias ou outras. Alguns exemplos destes químicos são os compostos encontrados nos pesticidas, inseticidas, fertilizantes e herbicidas. O risco a que pode ser submetido devido a esta exposição varia, dependendo da frequência com que realiza este tipo de trabalho. Para reduzir a exposição a estes químicos: trabalhe numa área bem ventilada e trabalhe com equipamentos de segurança aprovados, como as máscaras para poeiras especialmente concebidas para filtrar partículas microscópicas.

1. Opere o aparador de cerca viva apenas em condições de boa visibilidade e durante o dia. Não opere o aparador de cerca viva em ambiente escuro ou de nevoeiro.
2. Ponha o motor a trabalhar e opere-o apenas no exterior, numa área bem ventilada. A operação numa área confinada ou mal ventilada pode resultar em morte devido a sufocação ou a envenenamento por monóxido de carbono.
3. Durante a operação, nunca esteja numa superfície instável ou escorregadia, nem numa zona muito inclinada. Durante a época fria, tenha cuidado com o gelo e a neve e garanta sempre uma base segura.
4. Durante a operação, mantenha os espectadores ou animais a, pelo menos, 15 m de distância do aparador de cerca viva. Pare o motor assim que alguém se aproximar.
5. Antes da operação, examine a área de trabalho para ver se há cercas de arame, pedras ou outros objetos sólidos. Estes podem danificar as lâminas.

Colocação em funcionamento

1. Antes de montar ou ajustar o equipamento, desligue o motor e retire a tampa da vela de ignição ou a bateria.
2. Antes de montar as lâminas ou ajustar o ângulo de corte, use luvas de proteção.
3. Antes de pôr o motor a trabalhar, inspecione o equipamento quanto a danos, parafusos/porcas soltos ou montagem inadequada. Substitua se as lâminas estiverem rachadas, dobradas ou danificadas. Verifique todas as alavancas de controlo e interruptores quanto a um funcionamento fácil. Limpe e seque os punhos.
4. Nunca tente pôr o motor a funcionar se o equipamento estiver danificado ou não estiver totalmente montado. Caso contrário, podem resultar ferimentos graves.
5. Ajuste o arnês para o ombro e a pega manual de modo a adequar-se ao tamanho do corpo do operador.

Operação

1. Caso ocorra uma emergência, desligue imediatamente o motor.
2. Se sentir alguma condição fora do comum (por exemplo, ruído, vibração) durante a operação, desligue o motor. Não opere o aparador de cerca viva até a causa ser reconhecida e solucionada.
3. As lâminas continuam a mover-se por um período curto depois de libertar o gatilho do acelerador ou depois de desligar o motor. Não tenha pressa em entrar em contacto com as lâminas.
4. Com o motor a funcionar apenas ao ralenti, coloque o arnês para o ombro.
5. Durante a operação, utilize o arnês para o ombro. Mantenha o aparador de cerca viva firmemente do seu lado direito.

► Fig.2

6. Segure no punho frontal com a mão esquerda e na pega traseira com a mão direita independentemente de ser canhoto ou destro. Enrole os dedos e os polegares em volta dos punhos.
7. Nunca tente operar o equipamento só com uma mão. A perda de controlo pode resultar em ferimentos graves ou fatais. Para reduzir o risco de ferimentos por cortes, mantenha as mãos e os pés afastados das lâminas.
8. Não se estique para tentar chegar. Mantenha em todos os momentos uma base e equilíbrio adequados. Cuidado com os obstáculos ocultos, como tocos de árvores, raízes e valas para evitar cair. Limpe e afaste os ramos caídos e outros objetos.
9. Nunca trabalhe em cima de uma escada ou árvore para evitar a perda de controlo.
10. Não segure na máquina acima da altura do ombro.

11. Durante a operação, nunca acerte com as lâminas contra obstáculos rijos como pedras e metais. Tome especial cuidado quando cortar sebes que estejam junto ou encostadas a cercas de arame. Quando trabalhar perto do solo, certifique-se de que a terra, o cascalho ou as pedras não ficam entre as lâminas.
12. Se as lâminas entrarem em contacto com pedras ou outros objetos sólidos, pare o motor imediatamente e verifique as lâminas quanto a danos depois de remover a vela de ignição ou a bateria. Substitua as lâminas se estiverem danificadas.
13. Se as lâminas ficarem encravadas devido a ramos grossos, desligue o motor imediatamente, coloque o aparador de cerca viva no chão e retire a obstrução depois de remover a vela de ignição ou a bateria. Verifique se as lâminas estão danificadas antes de voltar a utilizar o equipamento.
14. Nunca toque nem aproxime as lâminas enquanto estão em movimento. As lâminas podem cortar facilmente os seus dedos. Quando manusear as lâminas ou ajustar o ângulo da lâmina, pare o motor e retire a tampa da vela de ignição ou a bateria.
15. Acelerar o motor com as lâminas bloqueadas, aumenta a carga e danificará o motor e/ou a embraiagem.
16. Verifique as lâminas de corte com frequência durante a operação para ver se apresentam rachas ou extremidades rombas. Antes da inspeção, desligue o motor e aguarde até as lâminas pararem completamente. Substitua imediatamente as lâminas danificadas ou sem corte ainda que apenas apresentem rachas superficiais.
17. Se o equipamento receber um impacto forte ou cair, verifique o estado do mesmo antes de continuar a trabalhar. Verifique o sistema de combustível quanto a fugas e os comandos e dispositivos de segurança para ver se estão com avarias. Se houver qualquer dano ou se tiver dúvidas, peça ao nosso centro de assistência autorizado uma inspeção e reparação.
18. Não toque na caixa de engrenagens. A caixa de engrenagens aquece durante o funcionamento.
19. Descanse para evitar a perda de controlo provocada pela fadiga. Recomendamos que faça uma pausa de 10 a 20 minutos por hora.
20. Quando deixar o equipamento, mesmo que seja por um curto espaço de tempo, desligue sempre o motor ou retire a bateria. O equipamento sem supervisão com o motor a funcionar, pode ser utilizado por pessoas não autorizadas e provocar acidentes graves.
21. Antes de cortar, puxe a alavanca do acelerador até ao fim para atingir a velocidade máxima.
22. Siga o manual de instruções da unidade de alimentação para ficar a conhecer a utilização adequada da alavanca de controlo e do interruptor.
23. Durante ou após a operação, não coloque o equipamento quente sobre relva seca ou materiais combustíveis.

Transporte

1. Antes de transportar o equipamento, desligue o motor e retire a tampa da vela de ignição ou a bateria. Instale sempre a cobertura da lâmina durante o transporte.
2. Quando transportar o equipamento, leve-o numa posição horizontal segurando-o pelo eixo. Mantenha o silencioso quente afastado do corpo.
3. Quando transportar o equipamento num veículo, fixe-o com segurança para evitar que se vire. Caso contrário, pode resultar em derrame de combustível e danos no equipamento e outra bagagem.

Manutenção

1. Antes de realizar qualquer manutenção ou trabalhos de reparação ou limpeza ao equipamento, desligue sempre o motor e retire a tampa da vela de ignição ou a bateria. Aguarde até o motor arrefecer.
2. Para reduzir o risco de incêndio, nunca realize qualquer assistência ao equipamento junto de fogo.
3. Use sempre luvas de proteção quando manusear as lâminas.
4. Limpe sempre a poeira e sujidade do equipamento. Nunca utilize gasolina, benzina, diluente, álcool ou outro para esse fim. Pode resultar em descoloração, deformação ou rachas dos componentes de plástico.
5. Após cada utilização, aperte todos os parafusos e porcas, exceto os parafusos de ajuste do carburador.
6. Mantenha a ferramenta de corte afiada. Se as lâminas de corte tiverem ficado rombas e o desempenho de corte estiver fraco, peça ao nosso centro de assistência autorizado para afiar as lâminas.
7. Nunca repare lâminas dobradas ou partidas endireitando-as ou soldando-as. Isto pode fazer com que as partes das lâminas se soltem e resultar em ferimentos graves. Contacte o nosso centro de assistência autorizado de lâminas genuínas da Makita para substituição das mesmas.

8. Não tente realizar qualquer manutenção ou reparação que não estejam descritas neste livro ou no manual de instruções da unidade de alimentação. Peça ao nosso centro de assistência autorizado para realizar esse trabalho.
9. Utilize sempre apenas peças sobressalentes e acessórios genuínos da Makita. A utilização de peças ou acessórios fornecidos por terceiros pode resultar na avaria do equipamento, danos na propriedade e/ou ferimentos graves.
10. Peça ao nosso centro de assistência autorizado para inspecionar e realizar a manutenção do aparador de cerca viva em intervalos regulares.

Armazenamento

1. Antes de armazenar o equipamento, realize uma limpeza e manutenção totais. Instale a cobertura da lâmina.
2. Armazene o equipamento num local seco e alto ou trancado, longe do alcance das crianças.
3. Não deixe o equipamento encostado a nada, como uma parede. Caso contrário, o aparador de cerca viva pode cair repentinamente e provocar um ferimento.

Primeiros socorros

1. Mantenha sempre um kit de primeiros socorros por perto. Substitua imediatamente quaisquer artigos retirados do kit de primeiros socorros.
2. Quando pedir ajuda, forneça as seguintes informações:
 - Local do acidente
 - O que aconteceu
 - Número de pessoas feridas
 - Natureza do ferimento
 - O seu nome

DESCRIÇÃO DAS PEÇAS

► Fig.3

1	Lâminas	2	Caixa de engrenagens	3	Tampa	4	Cobertura da lâmina
---	---------	---	----------------------	---	-------	---	---------------------

MONTAGEM

⚠️ AVISO: Antes de montar ou ajustar o equipamento, desligue o motor e retire a tampa da vela de ignição ou a bateria. Caso contrário, as lâminas ou outras peças podem mover-se e resultar em ferimentos graves.

⚠️ AVISO: Antes de manusear as lâminas ou trabalhar junto das mesmas, use luvas de proteção e coloque a cobertura nas lâminas. Caso contrário, as lâminas podem cortar gravemente as mãos nuas.

⚠️ AVISO: Quando montar ou ajustar o equipamento, coloque-o sempre em baixo. Montar ou ajustar o equipamento na vertical pode resultar em ferimentos graves.

⚠️ AVISO: Siga os avisos e precauções no capítulo "Precauções de segurança" e no manual de instruções da unidade de alimentação.

⚠️ AVISO: Antes de utilizar o equipamento, certifique-se de que a alavanca de bloqueio está apertada.

Montar a fixação numa unidade de alimentação

Para montar a fixação numa unidade de alimentação, siga os passos indicados em baixo.

1. Certifique-se de que a alavanca de bloqueio não está apertada.
2. Alinhe o pino com a marca da seta.
3. Insira o eixo dentro do eixo de acionamento da unidade de alimentação até que a linha de posição e o botão de libertação saltem para fora.
4. Aperte firmemente a alavanca de bloqueio como indicado.

Para remover a fixação, solte a alavanca de bloqueio rodando-a na direção oposta e prima o botão de bloqueio e retire o eixo.

► Fig.4: 1. Alavanca de bloqueio 2. Pino 3. Marca da seta 4. Linha de posição 5. Botão de libertação

⚠️ OBSERVAÇÃO: Não aperte a alavanca de bloqueio sem que o eixo da fixação esteja inserido. Caso contrário, a alavanca de bloqueio pode apertar demasiado a entrada do eixo de acionamento e danificá-lo.

OPERAÇÃO

AVISO: Se as lâminas se moverem ao ralenti, ajuste a velocidade de ralenti do motor para uma velocidade inferior. Caso contrário, não conseguirá parar as lâminas com o acelerador desligado e pode provocar ferimentos graves.

AVISO: Siga os avisos e precauções no capítulo "PRECAUÇÕES DE SEGURANÇA IMPORTANTES" e no manual de instruções da unidade de alimentação.

Corte horizontal

Quando aparar sebes horizontalmente, siga os passos em baixo.

1. Puxe a alavanca do acelerador até ao fim.
2. Aplique as lâminas na sebe num ângulo de 15° a 30°.
3. Apare a sebe com um movimento oscilante da direita para a esquerda.

► Fig.5

Corte vertical

Quando aparar sebes verticalmente, siga os passos em baixo.

1. Puxe a alavanca do acelerador até ao fim.
2. Aplique as lâminas na sebe paralelamente uma à outra.
3. Apare a sebe de baixo para cima com um movimento oscilante.

► Fig.6

MANUTENÇÃO

AVISO: Antes de inspecionar ou realizar uma manutenção no equipamento, desligue o motor e retire a tampa da vela de ignição ou a bateria. Caso contrário, as lâminas ou outras peças podem mover-se e resultar em ferimentos graves.

AVISO: Antes de manusear as lâminas ou trabalhar junto das mesmas, use luvas de proteção e coloque a cobertura nas lâminas. Durante a montagem ou ajuste, os seus dedos podem entrar em contacto com as lâminas podendo provocar ferimentos graves.

AVISO: Quando inspecionar ou realizar a manutenção do equipamento, coloque sempre o equipamento em baixo. Montar ou ajustar o equipamento na vertical pode resultar em ferimentos graves.

AVISO: Siga os avisos e precauções no capítulo "PRECAUÇÕES DE SEGURANÇA IMPORTANTES" e no manual de instruções da unidade de alimentação.

Inspecionar as lâminas

Verifique diariamente as lâminas para ver se apresentam danos, rachas ou extremidades rombas. Peça ao nosso centro de assistência autorizado para substituir lâminas danificadas ou afiar lâminas rombas.

Ajustar a folga da lâmina

As lâminas superior/inferior desgastam-se gradualmente após as operações. Se não conseguir obter um corte limpo apesar de as lâminas estarem bem afiadas, ajuste a folga como se segue.

O aperto do perno sextavado decide a folga das lâminas. A porca segura o perno sextavado com uma determinada força. Uma folga demasiado grande provoca um corte rombo, mas uma folga demasiado pequena provoca calor desnecessário desgastando as lâminas mais rapidamente.

1. Solte as porcas com uma chave.
 2. Aperte ligeiramente os pernos sextavados até pararem. E depois, volte a aparafusá-los entre um quarto e meia volta cada para obter a folga necessária.
 3. Segure nos pernos sextavados e aperte as porcas.
 4. Aplique óleo suave na superfície de fricção das lâminas.
 5. Ponha o motor a funcionar e opere o acelerador dando e retirando potência durante um minuto.
 6. Meça o tempo necessário para que as lâminas parem depois de libertar o acelerador. Se demorarem dois segundos ou mais, desligue o motor e repita os passos 1 a 6.
 7. Desligue o motor e toque na superfície da lâmina. Se não estiverem muito quentes e for possível tocar-lhes, fez o ajuste correto. Se estiverem muito quentes e não for possível tocar-lhes, rode os pernos sextavados um pouco para trás e repita os passos 5 a 7.
- Fig.7: 1. Porca 2. Perno sextavado 3. Chapa 4. Resguardo da lâmina 5. Lâmina superior 6. Lâmina inferior

Lubrificar as peças móveis

OBSERVAÇÃO: Siga as instruções referentes à frequência e à quantidade de massa lubrificante fornecida. Caso contrário, uma lubrificação insuficiente, pode danificar as peças móveis.

► Fig.8

Caixa de engrenagens:

Aplique massa lubrificante a cada 25 horas de trabalho.

1. O orifício para a massa lubrificante está localizado por baixo do perno. Retire o perno para lubrificar.
2. Adicione aproximadamente 5 g (7 cc) de massa lubrificante no orifício para a massa lubrificante.
3. Volte a colocar o perno após a lubrificação.

► Fig.9: 1. Orifício para massa lubrificante

NOTA: Depois de encher a quantidade correta de massa lubrificante, a massa sai ligeiramente pela base da lâmina durante a primeira operação.

Eixo de acionamento:

Aplique massa lubrificante a cada 25 horas de trabalho.

Inspeção geral

- Aperte os pernos, porcas e parafusos soltos.
- Verifique se há peças e lâminas danificadas. Peça ao nosso centro de assistência autorizado para as substituir, se necessário.

Armazenamento

AVISO: Siga os avisos e precauções no capítulo "PRECAUÇÕES DE SEGURANÇA IMPORTANTES" e no manual de instruções da unidade de alimentação.

Quando armazenar o implemento aparador de cerca viva em separado da unidade de alimentação, coloque a tampa sobre a extremidade do eixo.

► Fig.10

INTERVALO DE MANUTENÇÃO

		Antes da operação	Diariamente (10 horas)	25 horas	Se necessário
Unidade completa	Inspeccionar visualmente se há peças danificadas	○	-	-	-
Todos os parafusos e porcas de fixação	Apertar	○	-	-	-
Lâminas	Inspeccionar quanto a danos, rachas ou extremidades rombas	-	○	-	-
	Ajustar a folga	-	-	-	○
Caixa de engrenagens	Alimentar massa lubrificante	-	-	○	-
Eixo de acionamento	Alimentar massa lubrificante	-	-	○	-
Unidade de alimentação	Consulte o manual de instruções da unidade de alimentação				

RESOLUÇÃO DE PROBLEMAS

Estado da anomalia	Causa provável (avaria)	Correção
O motor não arranca.	Consulte o manual de instruções da unidade de alimentação.	Consulte o manual de instruções da unidade de alimentação.
O motor para assim que é posto a trabalhar.	Consulte o manual de instruções da unidade de alimentação.	Consulte o manual de instruções da unidade de alimentação.
A velocidade máxima é limitada.	Consulte o manual de instruções da unidade de alimentação.	Consulte o manual de instruções da unidade de alimentação.
As lâminas não se movem. ⇒ Pare o motor imediatamente!	Ângulo incorreto da unidade de corte.	Certifique-se de que o bloqueio do ângulo engata adequadamente.
As lâminas não se movem. ⇒ Pare o motor imediatamente!	Um galho fica entalado entre as lâminas.	Retire a matéria estranha.
As lâminas não se movem. ⇒ Pare o motor imediatamente!	O sistema de acionamento não funciona adequadamente.	Peça ao nosso centro de assistência autorizado para o inspecionar e reparar.
A unidade vibra de forma pouco normal. ⇒ Pare o motor imediatamente!	O sistema de acionamento não funciona adequadamente.	Peça ao nosso centro de assistência autorizado para o inspecionar e reparar.
As lâminas não param. ⇒ Pare o motor imediatamente!	A unidade de alimentação não funciona adequadamente.	Consulte o manual de instruções da unidade de alimentação.

ACESSÓRIOS OPCIONAIS

⚠PRECAUÇÃO: Estes acessórios ou peças são recomendados para utilização com a ferramenta Makita especificada neste manual. A utilização de outros acessórios ou peças pode ser perigosa para as pessoas. Utilize apenas acessórios ou peças para os fins indicados.

Se necessitar de informações adicionais relativas a estes acessórios, solicite-as ao seu centro de assistência Makita.

- Conjunto da lâmina

NOTA: Alguns itens da lista podem estar incluídos na embalagem da ferramenta como acessórios padrão. Eles podem variar de país para país.

SPECIFIKATIONER

Model:	EN410MP
Dimensioner (L x B x H)	1.104 mm x 85 mm x 61 mm (43-1/2" x 3-3/8" x 2-3/8")
Nettovægt	2,0 kg (4,5 lbs)
Effektiv skærelængde	490 mm (19-1/4")
Udvekslingsforhold	1 : 4,7

- På grund af vores kontinuerlige forsknings- og udviklingsprogrammer kan hosstående specifikationer blive ændret uden varsel.
- Specifikationer kan variere fra land til land.

Godkendt effektenhed

⚠ ADVARSEL: Brug aldrig tilbehøret med en effektenhed, der ikke er godkendt. En ikke-godkendt kombination kan forårsage alvorlig personskade.

Dette tilbehør er kun godkendt til brug sammen med følgende effektenhed(er):

- (Flerfunktions effekthoved)
EX2650LH
- (Akku flerfunktions effekthoved)
BUX360, BUX361, BUX362, UX360D, UX361D, UX362D,
DUX60, XUX01, DUX18, XUX02, UX01G, GUX01

Godkendt tilbehør

⚠ ADVARSEL: Anvend aldrig ikke-godkendt tilbehør. En ikke-godkendt kombination kan forårsage alvorlig personskade.

Dette tilbehør er kun godkendt til brug sammen med følgende tilbehør:

- (Tilbehør til skafforlænger)
LE400MP

Symboler

Følgende viser de symboler, der muligvis anvendes til udstyret. Sørg for, at du forstår deres betydning før brugen.

	Læs og følg brugsanvisningen.
	Vær særligt forsigtig og opmærksom!
	Forbudt!
	Pas på elektriske ledninger. Risiko for elektrisk stød.
	FARE - Hold hænder væk fra klingerne.
	Bær arbejdschandsker.
	Bær sikkerhedshjelm, beskyttelsesbriller og høreværn.
	Bær solide støvler med skridsikre såler.
	Hold tilskuere og dyr mindst 15 m væk fra maskinen.
	Hold brugsområdet fri for alle personer og kæledyr.
	Varme overflader - Forbrændinger på fingre eller hænder.
	Førstehjælp



Garanteret lydeffektniveau i henhold til EU-direktivet om maskiner til udendørs brug.



Lydeffektniveau i henhold til Australiens NSW forordning om støjemission

Tilsigtet brug

Dette tilbehør er kun udviklet til beskæring af buske og hække sammen med en godkendt effektenhed. Brug aldrig tilbehøret til andre formål. Misbrug af tilbehøret kan forårsage alvorlig personskade.

EU-konformitetserklæring

Kun for lande i Europa

Vi som producenter: **Makita Europe N.V.**, Forretningsadresse: **Jan-Baptist Vinkstraat 2 3070 Kortenberg BELGIEN**. Godkender **Hiroshi Tsujimura** til kompilering af den tekniske fil og tager det fulde ansvar for, at produktet eller produkterne, betegnelse: **Tilbehør til hækkeklipper**. Betegnelse for type(r): **EN410MP**.

Opfylder alle de relevante bestemmelser i **2006/42/EF** og opfylder også alle de relevante bestemmelser i de følgende EF/EU-direktiver: **2000/14/EF** og er produceret i overensstemmelse med de følgende harmoniserede standarder: **EN ISO 10517:2019, EN 62841-4-2:2019**.

Sted og dato for erklæring: **Kortenberg, Belgien. 1. 5. 2022**

Ansvarlig person: **Hiroshi Tsujimura, Direktør - Makita Europe N.V.**

SIKKERHEDSADVARSLER

Sikkerhedsadvarsler for hækketrimmer

1. **Hold alle kropsdele væk fra klingerne. Fjern ikke afskåret materiale eller hold materiale som skal skæres, når klingerne er i bevægelse.** Klingerne fortsætter med at bevæge sig, efter kontakten er slukket. Ved brug af hækkeklipperen kan ét øjeblik uopmærksomhed medføre alvorlig personskade.
2. **Bær på hækkeklipperen i håndtaget med klingerne stoppet og pas på ikke at betjene nogen strømkontakt.** Korrekt bæring af hækkeklipperen vil reducere risikoen for utilsigtet start og resulterende personskade fra klingerne.
3. **Når hækkeklipperen transporteres eller opbevares, skal du altid montere klingedækslet.** Korrekt håndtering af hækkeklipperen vil reducere risikoen for personskade fra klingerne.
4. **Når der fjernes materiale, som sidder i klemme, eller enheden serviceret, skal du sørge for, at alle strømkontakter er slukket, og at akkuen er fjernet eller afbrudt.** Utilsigtet aktivering af hækkeklipperen, mens der fjernes materiale, som sidder i klemme, eller udføres servicering, kan det muligvis forårsage alvorlig personskade.
5. **Hold kun hækkeklipperen i de isolerede grebflader, da klingerne muligvis kan komme i kontakt med skjulte ledninger.** Klinge, som kommer i berøring med en strømførende ledning, kan muligvis gøre udækkede metaldele på hækkeklipperen strømførende, og kan give operatøren et elektrisk stød.
6. **Hold alle strømledninger og kablet væk fra skæreamrådet.** Strømledninger eller kablet kan være skjult i hække eller buske, og kan skæres over af klingerne ved et uheld.
7. **Brug ikke hækkeklipperen under dårlige vejrforhold, især når der er risiko for lynnedslag.** Dette reducerer risikoen for at blive ramt af et lynnedslag.

Sikkerhedsadvarsler for hækketrimmer med udvidet rækkevidde

1. **For at reducere risikoen for en ulykke forårsaget af elektricitet skal du aldrig anvende en hækkeklipper med forlænget rækkevidde i nærheden af nogen elektriske strømledninger.** Kontakt med eller brug i nærheden af strømledninger kan forårsage alvorlig tilskadecomst eller elektrisk stød med døden til følge.
2. **Brug altid begge hænder, når du betjener hækketrimmeren med udvidet rækkevidde.** Hold hækketrimmeren med udvidet rækkevidde med begge hænder for at undgå at miste kontrollen.
3. **Brug altid hovedbeskyttelse, når du betjener hækketrimmeren med udvidet rækkevidde over hovedhøjde.** Nedfaldende affald kan muligvis resultere i alvorlig personskade.

VIGTIGE SIKKERHEDSFORSKRIFTER

⚠ ADVARSEL: Læs alle sikkerhedsadvarsler og alle instruktioner i dette hæfte samt i brugsanvisningen til effektenheden. Hvis advarslerne og instruktionerne ikke overholdes, kan det medføre elektrisk stød, brand og/eller alvorlig personskade.

⚠ ADVARSEL: Gem alle advarsler og instruktioner til senere reference.

Ordene "hækkeklipper" og "udstyr" i advarslerne og forholdsreglerne refererer til kombinationen af tilbehøret og effektenheden.

Ordet "motor" i advarslerne og forholdsreglerne refererer til motoren eller den elektriske motor i effektenheden.

Generelle forholdsregler

1. Læs dette hæfte og brugsanvisningen til effektenheden, før du starter hækkeklipperen, for at gøre dig bekendt med håndteringen af hækkeklipperen.
2. Lån ikke tilbehøret ud til en person med manglende erfaring eller kendskab til håndtering af hækkeklippere.
3. Giv altid denne brugsanvisning med, når du låner tilbehøret ud.
4. Lad ikke børn eller unge under 18 år bruge hækkeklipperen. Hold dem væk fra hækkeklipperen.
5. Håndter hækkeklipperen med den største forsigtighed og opmærksomhed.
6. Brug aldrig hækkeklipperen, når du har indtaget alkohol eller narkotika, eller hvis du føler dig træt eller syg.
7. Forsøg aldrig at ændre tilbehøret.
8. Overhold lovgivningen i dit land vedrørende håndtering af hækkeklippere.

Personligt beskyttelsesudstyr

► Fig.1

1. Bær sikkerhedshjelm, beskyttelsesbriller og arbejdshandsker for at beskytte dig selv mod flyvende rester eller nedfaldende genstande.
2. Bær høreværn som f.eks. øreklapper for at undgå tab af hørelsen.
3. Bær passende tøj og sko for sikker brug, for eksempel arbejdstøj og solide, skridsikre sko. Undgå at bære løstsiddende tøj eller smykker. Løstsiddende tøj, smykker eller langt hår kan blive indfanget i de bevægelige dele.
4. Bær arbejdshandsker, når du berører klinger eller justerer klingevinklen. Klingerne kan skære bare hænder alvorligt.

Sikkerhed i arbejdsområdet

⚠ ADVARSEL: Hold hækkeklipperen på afstand af elektriske ledninger og kommunikationskabler. Hvis hækkeklipperen berører eller kommer i nærheden af højspændingsledninger, kan det medføre dødsfald eller alvorlig personskade. Læg mærke til strømforsyningsledninger og elektriske hegn omkring arbejdsområdet, før du påbegynder brugen.

⚠ ADVARSEL: Brug af dette produkt kan frembringe støv, der indeholder kemikalier, som kan forårsage åndedrætslidelser eller andre sygdomme. Nogle eksempler på disse kemikalier er kemiske forbindelser i pesticider, insektmidler, gødningsstoffer og ukrudtsmidler. Risikoen ved udsættelse for disse stoffer varierer, afhængigt af hvor ofte du udfører denne type arbejde. Sådan reducerer du din udsættelse for disse kemikalier: Arbejd i et godt ventileret område, og arbejd med godkendt sikkerhedsudstyr, f.eks. støvmasker, der er specielt udviklet til at filtrere mikroskopiske partikler.

1. Brug kun hækkeklipperen i god sigtbarhed og dagslys. Brug ikke hækkeklipperen i mørke eller tåge.
2. Start og betjen kun motoren udendørs i et godt ventileret område. Brug i et begrænset eller dårligt ventileret område kan medføre dødsfald på grund af kvælning eller kulilteforgiftning.
3. Under brug må du aldrig stå på en ustabil eller glat overflade eller en stejl bakke. I den kolde årstid skal du være opmærksom på is og sne og altid sørge for sikkert fodfæste.
4. Hold tilskuere og dyr mindst 15 m væk fra hækkeklipperen under brugen. Stop med det samme motoren, hvis nogen nærmer sig.
5. Før brugen skal du kontrollere arbejdsområdet for trådhegn, sten eller andre hårde genstande. De kan beskadige klingerne.

Ibrugtagning

1. Før samling eller justering af udstyret skal du slukke for motoren og fjerne tændrørshætten eller akkuen.
2. Bær arbejdshandsker, før du samler klingerne eller justerer klingevinklen.
3. Før du starter motoren, skal du inspicere udstyret for skader, løse skruer/møtrikker eller forkert samling. Udskift klingerne, hvis de er revnede, bøjedede eller beskadigede. Kontroller, at alle kontrolhåndtag og kontakter nemt kan betjenes. Rengør og aftør håndtagene.
4. Forsøg aldrig at starte motoren, hvis udstyret er beskadiget eller ikke fuldt samlet. Ellers kan det medføre alvorlig personskade.
5. Juster skulderselen og håndgrebet, så de passer til operatørens størrelse.

Brug

1. Sluk med det samme for motoren i nødsituationer.
2. Sluk for motoren, hvis du oplever unormale forhold (f.eks. støj, vibration) under brugen. Brug ikke hækkeklipperen, før årsagen er identificeret og afhjulpet.
3. Klingerne fortsætter med at rotere i et kort tidsrum, efter at du har sluppet gasudløseren eller slukket for motoren. Berør ikke klingerne for hurtigt.
4. Monter skulderselen, mens motoren kun kører i tomgang.
5. Brug skulderselen under anvendelse. Hold hækkeklipperen fast på din højre side.

► Fig.2

6. Hold i det forreste håndtag med venstre hånd og i det bageste greb med højre hånd, uanset om du er højrehåndet eller venstrehåndet. Placer fingrene og tommelfingerne omkring håndtagene.
7. Forsøg aldrig at betjene udstyret med én hånd. Tab af kontrollen kan medføre alvorlig eller dødelig personskade. Hold hænderne og fødderne på afstand af klingerne for at reducere risikoen for snitskader.
8. Stræk dig ikke for langt. Oprethold til enhver tid korrekt fodfæste og balance. Se efter skjulte hindringer som f.eks. træstubbe, rødder og grøfter for at undgå at snuble. Fjern nedfaldne grene og andre genstande.
9. Arbejd aldrig på en stige eller i et træ for at undgå, at du mister kontrollen.
10. Hold ikke maskinen over skulderhøjde.
11. Slå aldrig klingerne mod hårde hindringer som sten og metaller under brugen. Vær særligt forsigtig, når du klipper hække ved siden af eller op mod trådhegn. Sørg for, at der ikke kommer sand, grus eller sten ind mellem klingerne, når du arbejder i nærheden af jorden.
12. Hvis klingerne kommer i kontakt med sten eller andre hårde genstande, skal du med det samme stoppe motoren og efterse klingerne for beskadigelse, efter at du har fjernet tændrøret eller akkuen. Udskift klingerne, hvis de er beskadigede.
13. Hvis tykke grene sætter sig fast i klingerne, skal du med det samme slukke for motoren, stille hækkeklipperen fra dig og derefter fjerne hindringen, efter at du har fjernet tændrøret eller akkuen. Efterse klingerne for beskadigelse, før du bruger udstyret igen.
14. Du må aldrig berøre eller nærme dig klingerne, mens de bevæger sig. Klingerne kan nemt skære dig i fingrene. Ved håndtering af klingerne eller justering af klingevinklen skal du stoppe motoren og fjerne tændrørshætten eller akkuen.
15. Hvis der gasses op for motoren, mens klingerne er blokeret, forøges belastningen, hvilket vil beskadige motoren og/eller koblingen.
16. Kontroller de skærende klinger hyppigt under brugen for revner eller uskarpe kanter. Før inspektionen skal du slukke for motoren og vente, indtil klingerne er stoppet helt. Udskift med det samme beskadigede eller uskarpe klinger, også selvom de kun har overfladiske revner.

- Hvis udstyret udsættes for hårde stød, eller det tabes, skal du kontrollere dets tilstand, før du fortsætter med arbejdet. Kontroller brændstofsyste­met for brændstøflækage og kontrol­lerne og sikkerhedshederne for fejl. Hvis der er nogen beska­digelse eller tvivl, skal du bede vores autoriserede servicecenter om at udføre inspektion og reparation.
- Berør ikke gearkassen. Gearkassen bliver varm under brugen.
- Hold pause for at undgå at miste kontrollen på grund af træthed. Vi anbefaler, at du holder 10 til 20 minutters hvil hver time.
- Når du forlader udstyret, skal du altid slukke for motoren eller fjerne akkuen, også selvom det kun er i kort tid. Hvis udstyret efterlades uden opsyn med kørende motor, kan uautoriserede personer bruge det og forårsage en alvorlig ulykke.
- Træk gashåndtaget helt for at opnå maksimal hastighed, før du skærer.
- Følg brugsanvisningen til effektenheden vedrørende korrekt brug af kontrolhåndtaget og kontakten.
- Under eller efter brug må du ikke placere det varme udstyr på tørt græs eller brændbare materialer.

Transport

- Før transport af udstyret skal du slukke for motoren og fjerne tændrørshætten eller akkuen. Monter altid klingedækslet under transport.
- Når du bærer udstyret, skal du bære det i vandret stilling ved at holde i skaftet. Hold den varme lydpotte væk fra din krop.
- Når udstyret transporteres i et køretøj, skal du fastgøre det korrekt for at undgå, at det vælter. Ellers kan det medføre brændstøfspild og beskadigelse af udstyret og anden bagage.

Vedligeholdelse

- Før der udføres nogen form for vedligeholdelse eller reparation eller rengøring af udstyret, skal du altid slukke for motoren og fjerne tændrørshætten eller akkuen. Vent, til motoren køler af.
- For at reducere risikoen for brand må du aldrig udføre service på udstyret i nærheden af ild.
- Bær altid arbejdshandsker, når du håndterer klingerne.
- Fjern altid støv og snavs fra udstyret. Brug aldrig benzin, rensbenzin, fortynder, alkohol eller lignende til dette formål. Det kan medføre misfarvning, deformation eller revner i plastikkomponenterne.
- Tilspænd alle skruer og møtrikker efter hver brug, undtagen skruerne til justering af karburatoren.
- Hold skæreværktøjet skarpt. Hvis de skærende klinger er blevet sløve, og skæreydelsen er dårlig, skal du bede vores autoriserede servicecenter om at slibe klingerne.
- Reparer aldrig bøjede eller knækkede klinger ved at rette dem ud eller svejse dem. Dele af klingerne kan brække af og forårsage alvorlig personskade. Kontakt vores autoriserede servicecenter for at skifte dem ud med ægte Makita klinger.
- Forsøg ikke at udføre vedligeholdelse eller reparationsarbejde, der ikke er beskrevet i dette hæfte eller brugsanvisningen til effektenheden. Bed vores autoriserede servicecenter om at udføre sådant arbejde.
- Brug altid kun ægte Makita reservedele og tilbehør. Brug af dele eller tilbehør fra tredjepart kan medføre sammenbrud af udstyret, tingskade og/eller alvorlig personskade.
- Bed regelmæssigt vores autoriserede servicecenter om at efterse og vedligeholde hækkeklipperen.

Opbevaring

- Udfør komplet rengøring og vedligeholdelse, før udstyret opbevares. Monter klingedækslet.
- Opbevar udstyret på et tørt og højtliggende eller aflåst sted, der er utilgængeligt for børn.
- Stil ikke udstyret op ad noget som f.eks. en væg. Ellers kan hækkeklipperen vælte pludseligt og forårsage personskade.

Førstehjælp

- Hav altid en førstehjælpskasse ved hånden. Udskift med det samme enhver genstand, der fjernes fra førstehjælpskassen.
- Opgiv følgende oplysninger, når du ringer efter hjælp:
 - Hvor ulykken er sket
 - Hvad der er sket
 - Antallet af tilskadede personer
 - Skadens art
 - Dit navn

BESKRIVELSE AF DELENE

► Fig.3

1	Klinger	2	Gearkasse	3	Hætte	4	Klingedæksel
---	---------	---	-----------	---	-------	---	--------------

SAMLING

⚠ ADVARSEL: Før samling eller justering af udstyret skal du slukke for motoren og fjerne tændrørshætten eller akkuen. Ellers kan klingerne eller andre dele bevæge sig og forårsage alvorlig personskade.

⚠ ADVARSEL: Før håndtering af eller arbejde omkring klingerne skal du bære arbejdshandsker og sætte klingedækslet på klingerne. Ellers kan klingerne skære bare hænder alvorligt.

⚠ ADVARSEL: Ved samling eller justering af udstyret skal du altid lægge det ned. Samling eller justering af udstyret i stående position kan medføre alvorlig personskade.

⚠ ADVARSEL: Følg advarslerne og forholdsreglerne i kapitlet "Sikkerhedsforholdsregler" samt brugsanvisningen til effektenheden.

⚠ ADVARSEL: Inden betjening af udstyret skal du kontrollere, at låsehåndtaget er strammet.

Montering af tilbehøret på en effektenhed

Følg nedenstående trin for at montere tilbehøret på en effektenhed.

- Kontroller, at låsehåndtaget ikke er strammet.
- Juster stiften i forhold til pilemærket.
- Sæt skaftet ind i drevskaftet på effektenheden indtil positionsmærket, og udløserknappen kommer op.
- Stram låsehåndtaget fast som vist.

For at fjerne tilbehøret skal du løsne låsehåndtaget ved at dreje låsehåndtaget i den modsatte retning, trykke på låseknappen og trække skaftet ud.

► Fig.4: 1. Låsehåndtag 2. Stift 3. Pilemærke 4. Positionsmærke 5. Udløserknap

BEMÆRKNING: Stram ikke låsehåndtaget, uden at skaftet på tilbehøret er indsat. Ellers kan låsehåndtaget stramme indgangen til drevskaftet for hårdt og beskadige den.

ANVENDELSE

⚠ ADVARSEL: Hvis klingerne bevæger sig i tomgang, skal du reducere motorens tomgangshastighed. Ellers kan du ikke stoppe klingerne ved at slippe gasspjældet, hvilket kan forårsage alvorlig personskade.

⚠ ADVARSEL: Følg advarslerne og forholdsreglerne i kapitlet "VIGTIGE SIKKERHEDSINSTRUKTIONER" samt brugsanvisningen til effektenheden.

Vandret snit

Følg nedenstående trin ved vandret klipning af hække.

- Træk gashåndtaget helt i bund.
- Sæt klingerne mod hækken i en vinkel på 15° til 30°.
- Klip hækken med en svingende bevægelse fra højre mod venstre.

► Fig.5

Lodret snit

Følg nedenstående trin ved lodret klipning af hække.

- Træk gashåndtaget helt i bund.
- Sæt klingerne mod hækken parallelt med hinanden.
- Klip hækken med en svingende bevægelse nedefra og op.

► Fig.6

VEDLIGEHOLDELSE

⚠ ADVARSEL: Før inspektion eller vedligeholdelse af udstyret skal du slukke for motoren og fjerne tændrørshætten eller akkuen. Ellers kan klingerne eller andre dele bevæge sig og forårsage alvorlig personskade.

⚠ ADVARSEL: Før håndtering af eller arbejde omkring klingerne skal du bære arbejdshandsker og sætte klingedækslet på klingerne. Under samling eller justering kan dine fingre komme i berøring med klingerne, hvilket kan forårsage alvorlig personskade.

⚠ ADVARSEL: Ved inspektion eller vedligeholdelse af udstyret skal du altid lægge udstyret ned. Samling eller justering af udstyret i stående position kan medføre alvorlig personskade.

⚠ ADVARSEL: Følg advarselne og forholdsreglerne i kapitlet "VIGTIGE SIKKERHEDSINSTRUKTIONER" samt brugsanvisningen til effektenheden.

Inspektion af klinger

Kontroller dagligt klingerne for skader, revner og uskarpe kanter. Kontakt vores autoriserede servicecenter for at udskifte beskadigede klinger eller slibe uskarpe klinger.

Justering af mellemrummet mellem klingerne

De øverste og nederste klinger bliver gradvist slidt ned ved brug. Hvis du ikke kan opnå et rent snit, selvom klingerne er skarpe nok, skal du justere mellemrummet på følgende måde.

Tilspændingen af sekskantboltene bestemmer mellemrummet mellem klingerne. Møtrikken holder sekskantboltene med en bestemt tilspænding. For stort mellemrum medfører et uskarpt snit, mens et for lille mellemrum medfører unødvendig varme, og at klingerne hurtigere bliver slidt.

1. Løsn møtrikkerne med en skrue nøgle.
2. Stram sekskantboltene let, indtil de stopper. Og skru dem derefter hver en kvart til en halv omgang tilbage for at opnå det nødvendige mellemrum.
3. Hold sekskantboltene, og tilspænd møtrikkerne.
4. Smør en let olie på klingernes friktionsflader.
5. Start motoren, og skru op og ned på gasspjældet i et minut.
6. Mål, hvor lang tid det tager for klingerne at stoppe, når du slipper gasspjældet. Hvis det tager to sekunder eller mere, skal du slukke for motoren og gentage trin 1 til 6.
7. Sluk for motoren, og berør klingefladerne. Hvis de ikke er for varme til, at du kan røre ved dem, har du foretaget en korrekt justering. Hvis de er for varme til, at du kan røre ved dem, skal du dreje sekskantboltene en smule tilbage og gentage trin 5 til 7.

► **Fig.7:** 1. Møtrik 2. Sekskantbolt 3. Plade 4. Klingskærm
5. Øverste klinge 6. Nederste klinge

Smøring af bevægelige dele

BEMÆRKNING: Følg instruktionerne vedrørende hyppighed og tilført mængde fedtstof. Ellers kan manglende smøring beskadige de bevægelige dele.

► Fig.8

Gearkasse:

Tilføj fedt for hver 25 arbejdstimer.

1. Smørehullet sidder under boltene. Fjern boltene for at smøre.
2. Tilføj cirka 5 g (7 cc) fedtstof i smørehullet.
3. Sæt boltene på igen efter smøring.

► **Fig.9:** 1. Smørehul

BEMÆRK: Efter påfyldning af den korrekte mængde fedtstof kommer der en smule fedt ud af bunden af klingens ved første brug.

Drevaksel:

Tilføj fedt for hver 25 arbejdstimer.

Overordnet inspektion

- Stram løse bolte, møtrikker og skruer.
- Kontroller for beskadigede dele og klinger. Bed om nødvendigt vores autoriserede servicecenter for at udskifte dem.

Opbevaring

⚠ ADVARSEL: Følg advarselne og forholdsreglerne i kapitlet "VIGTIGE SIKKERHEDSINSTRUKTIONER" samt brugsanvisningen til effektenheden.

Ved opbevaring af tilbehøret til hækkeklipperen adskilt fra effektenheden skal hættene sættes på enden af skaftet.

► **Fig.10**

VEDLIGEHOLDSESINTERVAL

		Før brug	Hver dag (10 timer)	25 timer	Hvis påkrævet
Hele enheden	Inspicer visuelt for beskadigede dele	○	-	-	-
Alle fastgøringsskruer og møtrikker	Tilspænd	○	-	-	-
Klinger	Inspicer for skader, revner og uskarpe kanter	-	○	-	-
	Juster mellemrummet	-	-	-	○
Gearkasse	Tilføj fedtstof	-	-	○	-
Drevaksel	Tilføj fedtstof	-	-	○	-
Effektenhed	Se i brugsanvisningen til effektenheden				

FEJLFINDING

Unormal tilstand	Sandsynlig årsag (fejl)	Afhjælpning
Motoren starter ikke.	Se i brugsanvisningen til effektenheden.	Se i brugsanvisningen til effektenheden.
Motoren stopper hurtigt, efter at den er startet.	Se i brugsanvisningen til effektenheden.	Se i brugsanvisningen til effektenheden.
Den maksimale hastighed er begrænset.	Se i brugsanvisningen til effektenheden.	Se i brugsanvisningen til effektenheden.
Klingerne bevæger sig ikke. ⇒ Stop motoren med det samme!	Forkert vinkel af skæreenhed.	Kontroller, at vinkellåsen griber korrekt fat.
Klingerne bevæger sig ikke. ⇒ Stop motoren med det samme!	En pind sidder fast mellem klingerne.	Fjern fremmedlegemet.
Klingerne bevæger sig ikke. ⇒ Stop motoren med det samme!	Drevsystemet fungerer ikke korrekt.	Bed vores autoriserede servicecenter om at inspicere og reparere det.
Enheden ryster unormalt. ⇒ Stop motoren med det samme!	Drevsystemet fungerer ikke korrekt.	Bed vores autoriserede servicecenter om at inspicere og reparere det.
Klingerne stopper ikke. ⇒ Stop motoren med det samme!	Effektenheden fungerer ikke korrekt.	Se i brugsanvisningen til effektenheden.

EKSTRAUDSTYR

⚠FORSIGTIG: Det følgende tilbehør og ekstraudstyr er anbefalet til brug med Deres Makita maskine, der er beskrevet i denne brugsanvisning. Anvendelse af andet tilbehør eller ekstraudstyr kan udgøre en risiko for personskade. Anvend kun tilbehør og ekstraudstyr til det beskrevne formål.

Hvis De behøver hjælp ved valg af tilbehør eller ønsker yderligere informationer, bedes De kontakte Deres lokale Makita servicecenter.

- Klingsæt

BEMÆRK: Nogle ting på denne liste kan være inkluderet i værktøjspakken som standardtilbehør. Det kan være forskellige fra land til land.

ΠΡΟΔΙΑΓΡΑΦΕΣ

Μοντέλο:	EN410MP
Διαστάσεις (Μ x Π x Υ)	1.104 mm x 85 mm x 61 mm (43-1/2" x 3-3/8" x 2-3/8")
Καθαρό βάρος	2,0 kg (4,5 lbs)
Αποτελεσματικό μήκος κοπής	490 mm (19-1/4")
Σχέση μετάδοσης	1 : 4,7

- Λόγω του συνεχόμενου προγράμματος που εφαρμόζουμε για έρευνα και ανάπτυξη, τα τεχνικά χαρακτηριστικά στο παρόν έντυπο υπόκεινται σε αλλαγή χωρίς προειδοποίηση.
- Τα τεχνικά χαρακτηριστικά μπορεί να διαφέρουν από χώρα σε χώρα.

Εγκεκριμένη ηλεκτρική μονάδα

ΠΡΟΕΙΔΟΠΟΙΗΣΗ: Μη χρησιμοποιείτε ποτέ το προσάρτημα με μη εγκεκριμένη ηλεκτρική μονάδα. Ο μη εγκεκριμένος συνδυασμός μπορεί να προκαλέσει σοβαρό τραυματισμό.

Αυτό το προσάρτημα εγκρίνεται για χρήση μόνο με τις ακόλουθες ηλεκτρικές μονάδες:

- (Πολυλειτουργική ηλεκτρική κεφαλή)
EX2650LH
- (Φορητή πολυλειτουργική ηλεκτρική κεφαλή)
BUX360, BUX361, BUX362, UX360D, UX361D, UX362D,
DUX60, UXU01, DUX18, UXU02, UX01G, GUX01

Εγκεκριμένο προσάρτημα

ΠΡΟΕΙΔΟΠΟΙΗΣΗ: Μη χρησιμοποιήσετε ποτέ μη εγκεκριμένο προσάρτημα. Ο μη εγκεκριμένος συνδυασμός μπορεί να προκαλέσει σοβαρό τραυματισμό.

Αυτό το προσάρτημα είναι εγκεκριμένο για χρήση μόνο με το ή τα ακόλουθα προσάρτηματα:

- (Προσάρτημα επέκτασης άξονα)
LE400MP

Σύμβολα

Παρακάτω παρουσιάζονται τα σύμβολα που μπορούν να χρησιμοποιηθούν για τον εξοπλισμό. Βεβαιωθείτε ότι κατανοείτε τη σημασία τους πριν από τη χρήση.

	Διαβάστε και ακολουθήστε το εγχειρίδιο οδηγιών.
	Απαιτείται ιδιαίτερη φροντίδα και προσοχή!
	Απαγορεύεται!
	Προσέχετε τις ηλεκτρικές γραμμές. Κίνδυνος ηλεκτροπληξίας.
	ΚΙΝΔΥΝΟΣ - Κρατήστε τα χέρια μακριά από τη λάμα.
	Να φοράτε προστατευτικά γάντια.
	Να φοράτε κράνος και προστατευτικά για τα μάτια και τα αυτιά.
	Να φοράτε ανθεκτικές μπότες με αντιολισθητικές σόλες.
	Οι παρευρισκόμενοι και τα ζώα πρέπει να βρίσκονται τουλάχιστον 15 m μακριά από το ηλεκτρικό εργαλείο.
	Να κρατάτε όλα τα άτομα και τα κατοικίδια ζώα μακριά από την περιοχή εργασίας.
	Ζεστές επιφάνειες - Εγκαύματα δακτύλων ή χεριών.



Πρώτες βοήθειες



Εγγυημένη στάθμη ηχητικής ισχύος σύμφωνα με την Οδηγία της ΕΕ για την εκπομπή θορύβου σε εξωτερικούς χώρους.



Στάθμη ηχητικής ισχύος σύμφωνα με τον Κανονισμό ελέγχου θορύβου της Νέας Νότιας Ουαλίας της Αυστραλίας

Προοριζόμενη χρήση

Αυτό το προσάρτημα έχει σχεδιαστεί μόνο για το κλάδεμα θάμνων και φυλλωδών φραχτών, σε συνδυασμό με μια εγκεκριμένη ηλεκτρική μονάδα. Μη χρησιμοποιείτε ποτέ το προσάρτημα για άλλο σκοπό. Η κακή χρήση του προσαρτήματος μπορεί να προκαλέσει σοβαρό τραυματισμό.

Δήλωση Συμμόρφωσης ΕΚ

Μόνο για χώρες της Ευρώπης

Εμείς ως οι κατασκευαστές: **Makita Europe N.V.**, Διεύθυνση επιχείρησης: **Jan-Baptist Vinkstraat 2 3070 Kortenberg ΒΕΛΓΙΟ**. Εξουσιοδοτούμε τον **Hiroshi Tsujimura** για τη σύνταξη του τεχνικού αρχείου και δηλώνουμε, υπό την αποκλειστική μας ευθύνη, ότι το(α) προϊόν(τα),
Χαρακτηρισμός: **Προσάρτημα κλαδευτηριού**. Προσδιορισμός τύπων: **EN410MP**.
Ικανοποιεί όλες τις σχετικές διατάξεις της οδηγίας **2006/42/ΕΚ** και επίσης ικανοποιούν όλες τις σχετικές διατάξεις των ακόλουθων Οδηγιών ΕΚ/ΕΕ: **2000/14/ΕΚ** και κατασκευάζονται σύμφωνα με τα ακόλουθα εναρμονισμένα πρότυπα: **EN ISO 10517:2019, EN 62841-4-2:2019**. Τόπος και ημερομηνία δήλωσης: **Kortenberg, Βέλγιο. 1. 5. 2022**
Υπεύθυνος: **Hiroshi Tsujimura, Διευθυντής - Makita Europe N.V.**

ΠΡΟΕΙΔΟΠΟΙΗΣΕΙΣ ΑΣΦΑΛΕΙΑΣ

Προειδοποιήσεις ασφάλειας για το ψαλίδι μπορντούρας

1. **Να κρατάτε όλα τα μέρη του σώματός σας μακριά από τη λάμα. Μην αφαιρείτε το κομμένο υλικό και μην κρατάτε το υλικό που πρόκειται να κοπεί όταν οι λάμες κινούνται.** Οι λάμες συνεχίζουν να κινούνται αφού κλείσετε τον διακόπτη. Μια στιγμή απροσεξίας κατά τη διάρκεια χειρισμού του κλαδευτηριού μπορεί να προκαλέσει σοβαρό προσωπικό τραυματισμό.
2. **Μεταφέρετε το κλαδευτήρι από τη λαβή με τη λάμα σταματημένη και προσέχετε να μην θέσετε τον διακόπτη λειτουργίας σε λειτουργία.** Η σωστή μεταφορά του κλαδευτηριού θα μειώσει τον κίνδυνο αθέλητης έναρξης και τον επακόλουθο προσωπικό τραυματισμό από τις λάμες.
3. **Κατά τη μεταφορά ή την αποθήκευση του κλαδευτηριού, να τοποθετείτε πάντα το κάλυμμα της λάμας.** Ο σωστός χειρισμός του κλαδευτηριού θα μειώσει τον κίνδυνο προσωπικού τραυματισμού από τις λάμες.
4. **Όταν καθαρίζετε μπλοκαρισμένο υλικό ή πραγματοποιείτε σέρβις στη μονάδα, να βεβαιώνετε ότι όλοι οι διακόπτες λειτουργίας είναι σβηστοί και η κασέτα μπαταριών έχει αφαιρεθεί ή αποσυνδεθεί.** Η απρόσμενη ενεργοποίηση του κλαδευτηριού κατά τον καθαρισμό του μπλοκαρισμένου υλικού ή το σέρβις μπορεί να έχει ως αποτέλεσμα σοβαρό προσωπικό τραυματισμό.

5. Κρατάτε το κλαδευτήρι μόνο από τις μονωμένες επιφάνειες λαβής επειδή η λάμα μπορεί να κάνει επαφή με το κρυμμένο καλώδιο. Σε περίπτωση επαφής των λαμών με ηλεκτροφόρο καλώδιο, μπορεί τα εκτεθειμένα μεταλλικά εξαρτήματα του κλαδευτηριού να καταστούν τα ίδια ηλεκτροφόρα και να προκαλέσουν ηλεκτροπληξία στο χειριστή.
6. Να κρατάτε όλα τα ηλεκτρικά καλώδια και τα σύρματα μακριά από την περιοχή κοπής. Τα ηλεκτρικά καλώδια ή τα σύρματα μπορεί να είναι κρυμμένα στις μπορντούρες ή τους θάμνους και να κοπούν κατά λάθος από τη λάμα.
7. Μην χρησιμοποιείτε το κλαδευτήρι σε άσχημες καιρικές συνθήκες, ειδικά όταν υπάρχει κίνδυνος κεραυνών. Αυτό μειώνει τον κίνδυνο να χτυπηθείτε από κεραυνό.

Προειδοποιήσεις ασφάλειας για το εκτεταμένο κλαδευτήρι

1. Για να μειώσετε τον κίνδυνο ηλεκτροπληξίας, μην χρησιμοποιείτε ποτέ το εκτεταμένο κλαδευτήρι κοντά σε οποιοσδήποτε ηλεκτρικές γραμμές. Η επαφή με ηλεκτρικές γραμμές ή η χρήση κοντά σε αυτές μπορεί να προκαλέσει σοβαρό τραυματισμό ή ηλεκτροπληξία με αποτέλεσμα τον θάνατο.
2. Να χρησιμοποιείτε πάντα δύο χέρια όταν χρησιμοποιείτε το εκτεταμένο κλαδευτήρι. Να κρατάτε το εκτεταμένο κλαδευτήρι και με τα δύο χέρια για να αποφεύγεται η απώλεια ελέγχου.
3. Να χρησιμοποιείτε πάντα προστασία κεφαλιού κατά τη λειτουργία του εκτεταμένου κλαδευτηριού από ύψος. Η πτώση θραυσμάτων μπορεί να έχει ως αποτέλεσμα σοβαρό προσωπικό τραυματισμό.

ΣΗΜΑΝΤΙΚΕΣ ΟΔΗΓΙΕΣ ΑΣΦΑΛΕΙΑΣ

▲ΠΡΟΕΙΔΟΠΟΙΗΣΗ: Διαβάστε όλες τις προειδοποιήσεις ασφάλειας και όλες τις οδηγίες σε αυτό το φυλλάδιο και το εγχειρίδιο οδηγιών της ηλεκτρικής μονάδας. Η μη τήρηση των προειδοποιήσεων και οδηγιών μπορεί να καταλήξει σε ηλεκτροπληξία, πυρκαγιά ή/και σοβαρό τραυματισμό.

▲ΠΡΟΕΙΔΟΠΟΙΗΣΗ: Φυλάξτε όλες τις προειδοποιήσεις και τις οδηγίες για μελλοντική παραπομπή.

Ο όρος «κλαδευτήρι» και «εξοπλισμός» στις προειδοποιήσεις και τις προφυλάξεις αναφέρεται στο συνδυασμό του εξαρτήματος και της ηλεκτρικής μονάδας.

Ο όρος «μοτέρ» στις προειδοποιήσεις και τις προφυλάξεις αναφέρεται στον κινητήρα ή στο ηλεκτρικό μοτέρ της ηλεκτρικής μονάδας.

Γενικές προφυλάξεις

1. Πριν ξεκινήσετε τη λειτουργία του κλαδευτηριού, διαβάστε αυτό το φυλλάδιο και το εγχειρίδιο οδηγιών της ηλεκτρικής μονάδας για να εξοικειωθείτε με το χειρισμό του κλαδευτηριού.
2. Μην δανείσετε το προσάρτημα σε άτομο με ανεπαρκή πείρα ή γνώσεις για το χειρισμό των κλαδευτηριών.
3. Όταν δανείτε σε κάποιον το προσάρτημα, να προσαρτάτε πάντα αυτό το εγχειρίδιο οδηγιών.
4. Μην αφήνετε παιδιά ή νεαρά άτομα, κάτω των 18 ετών, να χρησιμοποιούν το κλαδευτήρι. Κρατήστε τα μακριά από το κλαδευτήρι.
5. Να χειρίζεστε το κλαδευτήρι με τη μεγαλύτερη φροντίδα και προσοχή.
6. Μην χρησιμοποιείτε ποτέ το κλαδευτήρι μετά την κατανάλωση αλκοόλ ή φαρμάκων, ή αν αισθάνεστε κουρασμένοι ή αδιάθετοι.
7. Μην επιχειρήσετε ποτέ να τροποποιήσετε το προσάρτημα.
8. Ακολουθήστε τους κανονισμούς για το χειρισμό των κλαδευτηριών στη χώρα σας.

Προσωπικός προστατευτικός εξοπλισμός

► Εικ.1

1. Φοράτε κράνος ασφαλείας, προστατευτικά γυαλιά και προστατευτικά γάντια για να προστατεύσετε τον εαυτό σας από τα αντικείμενα που εκτοξεύονται ή πέφτουν.
2. Φοράτε προστατευτικά αυτιά, όπως ωτοασπίδες, για να αποτρέψετε την απώλεια της ακοής σας.
3. Φοράτε σωστό ρουχισμό και παπούτσια για την ασφαλή λειτουργία, όπως ολόσωμη φόρμα εργασίας και σταθερά, αντιολισθητικά παπούτσια. Μην φοράτε φαρδιά ρούχα ή κοσμήματα. Υπάρχει κίνδυνος να εμπλακούν τα φαρδιά ρούχα, τα κοσμήματα ή τα μακριά μαλλιά σε κινούμενα μέρη.
4. Όταν αγγίζετε λάμες ή ρυθμίζετε τη γωνία λάμας, να φοράτε προστατευτικά γάντια. Οι λάμες μπορούν να κόψουν σοβαρά τα γυμνά χέρια.

Ασφάλεια στο χώρο εργασίας

▲ΠΡΟΕΙΔΟΠΟΙΗΣΗ: Να διατηρείτε το κλαδευτήρι μακριά από ηλεκτρικές γραμμές και τηλεπικοινωνιακά καλώδια. Αν αγγίξετε ή πλησιάσετε τις γραμμές υψηλής τάσης με το κλαδευτήρι, μπορεί να προκληθεί θάνατος ή σοβαρός τραυματισμός. Παρακολουθήστε τις ηλεκτρικές γραμμές και τους ηλεκτρικούς φράκτες γύρω από την περιοχή εργασίας πριν αρχίσετε τη εργασία.

▲ΠΡΟΕΙΔΟΠΟΙΗΣΗ: Η χρήση αυτού του προϊόντος μπορεί να δημιουργήσει σκόνη που περιέχει χημικές ουσίες, οι οποίες προκαλούν αναπνευστικές ή άλλες ασθένειες. Μερικά παραδείγματα αυτών των χημικών ουσιών είναι ενώσεις που συναντώνται σε φυτοφάρμακα, εντομοκτόνα, λιπάσματα και ζιζανιοκτόνα. Ο κίνδυνος από την έκθεσή σας στα παραπάνω ποικίλλει ανάλογα με τη συχνότητα με την οποία εκτελείτε αυτού του είδους εργασίες. Για να μειώσετε την έκθεσή σας σε αυτές τις χημικές ουσίες: να εργάζεστε σε χώρο με καλό εξαερισμό και να εργάζεστε με εγκεκριμένο εξοπλισμό ασφάλειας, όπως προστατώδα κατά της σκόνης που είναι ειδικά σχεδιασμένη να φιλτράρει μικροσκοπικά σωματίδια.

1. Να χρησιμοποιείτε το κλαδευτήρι μόνο κάτω από συνθήκες καλής ορατότητας και όταν έχει ακόμα φως έξω. Μην χρησιμοποιείτε το κλαδευτήρι στο σκοτάδι ή όταν υπάρχει ομίχλη.
2. Να ξεκινάτε και να χρησιμοποιείτε τον κινητήρα μόνο σε εξωτερικό χώρο, σε καλά αεριζόμενο μέρος. Η λειτουργία σε μια περιορισμένη και ανεπαρκώς αεριζόμενη περιοχή μπορεί να έχει ως αποτέλεσμα το θάνατο λόγω ασφυξίας ή δηλητηρίασης από μονοξείδιο του άνθρακα.
3. Κατά τη διάρκεια της λειτουργίας, μην στέκεστε ποτέ σε ασταθή ή ολισθηρή επιφάνεια ή σε κατηφόρα. Κατά τις κρίμες εποχές, να προσέχετε τον πάγο και το χιόνι και να φροντίζετε ώστε να πατάτε καλά.
4. Κατά τη διάρκεια της λειτουργίας, οι παρευρισκόμενοι ή τα ζώα πρέπει να παραμένουν τουλάχιστον 15 μέτρα μακριά από το κλαδευτήρι. Να σταματάτε το μοτέρ μόλις κάποιος πλησιάσει.
5. Πριν τη λειτουργία, εξετάστε αν υπάρχουν συρματίνοι φράκτες, πέτρες ή άλλα στερεά αντικείμενα στην περιοχή εργασίας. Μπορεί να προκαλέσουν ζημιά στις λάμες.

Λειτουργία

1. Πριν συναρμολογήσετε ή ρυθμίσετε τον εξοπλισμό, σβήστε το μοτέρ και βγάλτε το καπάκι μπουζί ή την κασέτα μπαταριών.
2. Πριν συναρμολογήσετε τις λάμες ή ρυθμίσετε τη γωνία κοπής, να φοράτε προστατευτικά γάντια.
3. Πριν εκκινήσετε το μοτέρ, επιθεωρήστε τον εξοπλισμό για ζημιές, χαλαρές βίδες/παξιμάδια ή λανθασμένη συναρμολόγηση. Αντικαταστήστε αν οι λάμες είναι ραγισμένες, λυγισμένες ή κατεστραμμένες. Ελέγξτε όλους τους μοχλούς ελέγχου και διακόπτες για εύκολη δράση. Καθαρίστε και στεγνώστε τις λαβές.
4. Μην επιχειρήσετε ποτέ να εκκινήσετε το μοτέρ αν ο εξοπλισμός είναι κατεστραμμένος ή δεν είναι πλήρως συναρμολογημένος. Διαφορετικά μπορεί να προκληθεί σοβαρός τραυματισμός.
5. Ρυθμίστε τον ιμάντα ώμου και τη λαβή για να ταιριάζει με το μέγεθος σώματος του χειριστή.

Λειτουργία

1. Σε περίπτωση επείγουσας ανάγκης, σβήστε αμέσως το μοτέρ.
2. Αν βιώσετε οποιαδήποτε ασυνήθιστη κατάσταση (π.χ. θόρυβος, δόνηση) κατά τη διάρκεια της λειτουργίας, σβήστε το μοτέρ. Μην χρησιμοποιήσετε το κλαδευτήρι μέχρι να αναγνωριστεί και να επιλυθεί η αιτία.
3. Οι λάμες συνεχίζουν να κινούνται για σύντομο διάστημα αφότου αφήσετε τη σκανδάλη γκαζιού ή σβήσετε το μοτέρ. Μην βιαστείτε να ακουμπήσετε τις λάμες.
4. Με τον κινητήρα να λειτουργεί μόνο στο ρελαντί, συνδέστε τον ιμάντα ώμου.
5. Κατά τη διάρκεια της λειτουργίας, να χρησιμοποιείτε τον ιμάντα ώμου. Κρατήστε το κλαδευτήρι σταθερά στη δεξιά πλευρά σας.

► Εικ.2

6. Κρατήστε την μπροστινή λαβή με το αριστερό χέρι και την πίσω λαβή με το δεξί χέρι, ανεξάρτητα αν είστε δεξιόχειρας ή αριστερόχειρας. Τυλίξτε τα δάκτυλα και τους αντίχειρές σας γύρω από τις λαβές.
7. Μην επιχειρήσετε ποτέ να θέσετε τον εξοπλισμό σε λειτουργία με το ένα χέρι. Η απώλεια του ελέγχου μπορεί να έχει ως αποτέλεσμα σοβαρό ή θανατηφόρο τραυματισμό. Για να μειώσετε τον κίνδυνο τραυματισμού λόγω κοπής, να κρατάτε τα χέρια και τα πόδια σας μακριά από τις λάμες.
8. Μην τεντώνετε υπερβολικά. Να στέκεστε πάντα σταθερά και ισορροπημένα. Προσέχετε για κρυμμένα εμπόδια, όπως κούτσουρα, ρίζες και χαντάκια, για να αποφύγετε να σκοντάψετε. Μαζέψτε τα πεσμένα κλαδιά και άλλα αντικείμενα.

- Μην εργάζεστε ποτέ σε σκάλα ή δέντρο, για να αποφύγετε την απώλεια ελέγχου.
- Μην κρατάτε το μηχάνημα πάνω από το ύψος των ώμων σας.
- Κατά τη λειτουργία, μη χτυπάτε ποτέ τις λάμες επάνω σε σκληρά αντικείμενα, όπως πέτρες και μέταλλα. Να προσέχετε ιδιαίτερα όταν κόβετε φυλλώδεις φράχτες δίπλα από ή επάνω σε συμμάτινους φράχτες. Όταν εργάζεστε κοντά στο έδαφος, βεβαιωθείτε ότι δεν μπαίνει καθόλου άμμος, χαλίκια ή πέτρες μεταξύ των λαμών.
- Αν οι λάμες έρθουν σε επαφή με πέτρες ή άλλα στερεά αντικείμενα, σβήστε αμέσως το μοτέρ και ελέγξτε τις λάμες για ζημιά, αφού αφαιρέσετε το μπουζί ή την κασέτα μπαταριών. Αντικαταστήστε τις λάμες αν έχουν υποστεί ζημιά.
- Αν χονδρά κλαδιά εμπλακούν μέσα στις λάμες, σβήστε αμέσως το μοτέρ, αφήστε το κλαδευτήρι κάτω και απομακρύνετε το εμπόδιο αφού αφαιρέσετε πρώτα το μπουζί ή την κασέτα μπαταριών. Ελέγξτε τις λάμες για ζημιά πριν χρησιμοποιήσετε ξανά τον εξοπλισμό.
- Μην αγγίζετε και μην πλησιάζετε ποτέ τις λάμες ενώ κινούνται. Οι λάμες μπορούν εύκολα να κόψουν τα δάκτυλά σας. Όταν χειρίζεστε τις λάμες ή ρυθμίσετε τη γωνία λαμών, σβήστε το μοτέρ και βγάλτε το καπάκι μπουζί ή την κασέτα μπαταριών.
- Αν επιταχύνετε το μοτέρ με φραγμένες τις λάμες, αυξάνεται το φορτίο και θα προκληθεί ζημιά στο μοτέρ ή/και στο συμπλέκτη.
- Να ελέγχετε συχνά τις λάμες κοπής για ρωγμές ή μη κοφτερά άκρα κατά τη διάρκεια της λειτουργίας. Πριν την επιθεώρηση, σβήστε το μοτέρ και περιμένετε μέχρι να ακινητοποιηθούν εντελώς οι λάμες. Αντικαταστήστε αμέσως τις κατεστραμμένες ή μη κοφτερές λάμες, ακόμη κι αν έχουν μόνο επιφανειακές ρωγμές.
- Αν ο εξοπλισμός χτυπήσει δυνατά κατά την πτώση, ελέγξτε την κατάσταση πριν συνεχίσετε την εργασία. Ελέγξτε το σύστημα καυσίμου για ύπαρξη διαρροής καυσίμου αλλά και τα χειριστήρια και τις διατάξεις ασφαλείας για ύπαρξη δυσλειτουργίας. Αν υπάρχει οποιαδήποτε ζημιά ή αν έχετε αμφιβολίες, επικοινωνήστε με το δικό μας εξουσιοδοτημένο κέντρο εξυπηρέτησης για επιθεώρηση και επισκευή.
- Μην αγγίζετε το κιβώτιο ταχυτήτων. Το κιβώτιο ταχυτήτων ζεσταίνεται κατά τη διάρκεια της λειτουργίας.
- Κάντε ένα διάλειμμα για να αποφύγετε την απώλεια του ελέγχου που προκαλείται από την κόπωση. Σας συνιστούμε να κάνετε 10 έως 20 λεπτά διάλειμμα κάθε ώρα.
- Όταν αφήσετε τον εξοπλισμό, ακόμη κι αν είναι για σύντομο χρόνο, να σβήνετε πάντα τον κινητήρα ή να αφαιρείτε την κασέτα μπαταριών. Αν ο εξοπλισμός δεν επιτηρείται ενώ ο κινητήρας βρίσκεται σε λειτουργία, μπορεί να χρησιμοποιηθεί από μη εξουσιοδοτημένο άτομο και να προκληθεί σοβαρό ατύχημα.
- Πριν την κοπή, τραβήξτε πλήρως το μοχλό γκαζιού για να επιτευχθεί η μέγιστη ταχύτητα.
- Τηρήστε το εγχειρίδιο οδηγιών της ηλεκτρικής μονάδας για τη σωστή χρήση του μοχλού ελέγχου και του διακόπτη.
- Κατά τη διάρκεια ή μετά τη λειτουργία, μην τοποθετείτε τον ζεστό εξοπλισμό επάνω σε ξηρό χορτάρι ή εύφλεκτα υλικά.

Μεταφορά

- Πριν μεταφέρετε τον εξοπλισμό, σβήστε το μοτέρ και βγάλτε το καπάκι μπουζί ή την κασέτα μπαταριών. Να τοποθετείτε πάντα το κάλυμμα λαμών κατά τη διάρκεια της μεταφοράς.
- Όταν μεταφέρετε τον εξοπλισμό, να το κρατάτε σε οριζόντια θέση από τον άξονα. Διατηρείτε τον ζεστό σιγαστήρα μακριά από το σώμα σας.
- Όταν μεταφέρετε τον εξοπλισμό σε όχημα, να τον ασφαλίσετε σωστά για να αποφευχθεί η ανατροπή. Διαφορετικά, μπορεί να προκληθεί έκχυση καυσίμου και ζημιά στον εξοπλισμό και σε άλλες αποσκευές.

Συντήρηση

- Πριν πραγματοποιήσετε οποιαδήποτε εργασία συντήρησης ή επισκευής ή καθαρισμό του εξοπλισμού, να σβήνετε πάντα το μοτέρ και να βγάζετε το καπάκι μπουζί ή την κασέτα μπαταριών. Περιμένετε μέχρι να κρυώσει το μοτέρ.
- Για να μειώσετε τον κίνδυνο πυρκαγιάς, μην εκτελείτε ποτέ εργασίες συντήρησης κοντά σε πυρκαγιά.
- Να φοράτε πάντα προστατευτικά γάντια κατά το χειρισμό των λαμών.
- Να καθαρίζετε πάντα τη σκόνη και τη βρομιά από τον εξοπλισμό. Μην χρησιμοποιείτε ποτέ βενζίνη, πετρελαϊκό αιθέρα, διαλυτικό, αλκοόλη ή παρόμοιες ουσίες για το συγκεκριμένο σκοπό. Μπορεί να προκληθεί αποχρωματισμός ή ράγισμα των πλαστικών εξαρτημάτων.
- Μετά από κάθε χρήση, σφίξτε όλες τις βίδες και παξιμάδια, εκτός από τις βίδες ρύθμισης του καρμπιρατέρ.

- Να διατηρείτε το κοπτικό εργαλείο αιχμηρό. Αν οι κοπτικές λάμες έχουν γίνει μη κοφτερές και η απόδοση κοπής είναι ανεπαρκής, ζητήστε από ένα εξουσιοδοτημένο κέντρο σέρβις μας να ακονίσει τις λάμες.
- Μην επιχειρείτε ποτέ λυγισμένες ή σπασμένες λάμες με ίσιωμα ή συγκόλληση. Μπορεί μέρη των λαμών να σπάσουν και να προκληθεί σοβαρός τραυματισμός. Επικοινωνήστε με ένα εξουσιοδοτημένο κέντρο σέρβις μας για γνήσιες λάμες της Makita για αντικατάσταση.
- Μην επιχειρήσετε οποιαδήποτε εργασία συντήρησης ή επισκευής που δεν περιγράφεται στο παρόν φυλλάδιο ή στο εγχειρίδιο οδηγιών της ηλεκτρικής μονάδας. Ζητήστε από ένα εξουσιοδοτημένο κέντρο σέρβις μας για μια τέτοια εργασία.
- Να χρησιμοποιείτε πάντα τα γνήσια ανταλλακτικά και αξεσουάρ της Makita μόνο. Η χρήση εξαρτημάτων ή αξεσουάρ που παρέχονται από άλλον κατασκευαστή μπορεί να έχουν ως αποτέλεσμα το σπάσιμο του εξοπλισμού, την πρόκληση ζημιάς σε ιδιοκτησία ή/και σοβαρό τραυματισμό.
- Ζητήστε από εξουσιοδοτημένο κέντρο σέρβις μας να επιθεωρήσει και να συντηρήσει το κλαδευτήρι σε τακτά χρονικά διαστήματα.

Αποθήκευση

- Πριν τη φύλαξη του εξοπλισμού, εκτελέστε πλήρη καθαρισμό και συντήρηση. Τοποθετήστε το κάλυμμα λαμών.
- Φυλάξτε τον εξοπλισμό σε ένα ψηλό ή κλειδωμένο μέρος χωρίς υγρασία, μακριά από παιδιά.
- Μην ακουμπάτε τον εξοπλισμό επάνω σε κάτι, όπως σε έναν τοίχο. Διαφορετικά, το κλαδευτήρι μπορεί να πέσει ξαφνικά και να προκληθεί τραυματισμός.

Πρώτες βοήθειες

- Να έχετε πάντοτε κοντά ένα κουτί πρώτων βοηθειών. Αντικαταστήστε αμέσως οποιαδήποτε αντικείμενα αφαιρέσετε από το κιτ πρώτων βοηθειών.
- Όταν ζητάτε βοήθεια, δώστε τις ακόλουθες πληροφορίες:**
 - Τόπος ατυχήματος
 - Τι συνέβη
 - Αριθμός τραυματισμένων ατόμων
 - Φύση του τραυματισμού
 - Το όνομά σας

ΠΕΡΙΓΡΑΦΗ ΕΞΑΡΤΗΜΑΤΩΝ

► Εικ.3

1	Λάμες	2	Κιβώτιο ταχυτήτων	3	Καπάκι	4	Κάλυμμα λαμών
---	-------	---	-------------------	---	--------	---	---------------

ΣΥΝΑΡΜΟΛΟΓΗΣΗ

▲ ΠΡΟΕΙΔΟΠΟΙΗΣΗ: Πριν συναρμολογήσετε ή ρυθμίσετε τον εξοπλισμό, σβήστε το μοτέρ και βγάλτε το καπάκι μπουζί ή την κασέτα μπαταριών. Διαφορετικά, οι λάμες ή τα άλλα μέρη μπορεί να μετακινηθούν και να προκληθεί σοβαρός τραυματισμός.

▲ ΠΡΟΕΙΔΟΠΟΙΗΣΗ: Πριν το χειρισμό ή την εργασία γύρω από τις λάμες, να φοράτε προστατευτικά γάντια και να τοποθετείτε το κάλυμμα λαμών πάνω από τις λάμες. Διαφορετικά, οι λάμες μπορούν να κόψουν σοβαρά τα γυμνά χέρια.

▲ ΠΡΟΕΙΔΟΠΟΙΗΣΗ: Όταν συναρμολογήσετε ή ρυθμίσετε τον εξοπλισμό, να τον αφήνετε πάντα κάτω. Η συναρμολόγηση ή ρύθμιση του εξοπλισμού σε όρθια θέση μπορεί να έχει ως αποτέλεσμα σοβαρό τραυματισμό.

▲ ΠΡΟΕΙΔΟΠΟΙΗΣΗ: Ακολουθήστε τις προειδοποιήσεις και προφυλάξεις στο κεφάλαιο «Προφυλάξεις ασφαλείας» και το εγχειρίδιο οδηγιών της ηλεκτρικής μονάδας.

▲ ΠΡΟΕΙΔΟΠΟΙΗΣΗ: Πριν θέσετε τον εξοπλισμό σε λειτουργία, βεβαιωθείτε ότι ο μοχλός ασφάλισης είναι σφιγμένος.

Στερέωση του προσαρτήματος σε ηλεκτρική μονάδα

Για στερέωση του προσαρτήματος σε ηλεκτρική μονάδα, ακολουθήστε τα παρακάτω βήματα.

1. Βεβαιωθείτε ότι ο μοχλός κλειδώματος δεν είναι σφιγμένος.
2. Ευθυγραμμίστε τον πείρο με το σημάδι βέλους.
3. Εισαγάγετε τον άξονα μέσα στον άξονα κίνησης της ηλεκτρικής μονάδας μέχρι τη γραμμή τοποθέτησης, για να αναδυθεί το κουμπί απασφάλισης.
4. Σφίξτε καλά το μοχλό κλειδώματος όπως απεικονίζεται.

Για να αφαιρέσετε το προσαρτήμα, χαλαρώστε το μοχλό κλειδώματος περιστρέφοντας το μοχλό κλειδώματος στην αντίθετη κατεύθυνση και πατήστε το κουμπί κλειδώματος και αποσύρετε τον άξονα.

- **Εικ.4:** 1. Μοχλός κλειδώματος 2. Πείρος 3. Σημάδι βέλους
4. Γραμμή τοποθέτησης 5. Κουμπί απασφάλισης

ΕΙΔΟΠΟΙΗΣΗ: Μη σφίξετε το μοχλό κλειδώματος χωρίς να έχετε εισαγάγει τον άξονα του προσαρτήματος. Διαφορετικά, ο μοχλός κλειδώματος μπορεί να σφίξει πολύ την είσοδο του άξονα κίνησης και να προκαλέσει ζημιά σε αυτή.

ΛΕΙΤΟΥΡΓΙΑ

▲ΠΡΟΕΙΔΟΠΟΙΗΣΗ: Αν οι λάμες κινούνται στο ρελαντί, μειώστε την ταχύτητα ρελαντί του κινητήρα. Διαφορετικά, δεν μπορείτε να σταματήσετε τις λάμες με απενεργοποιημένο το γκάζι και μπορεί να προκληθεί σοβαρός τραυματισμός.

▲ΠΡΟΕΙΔΟΠΟΙΗΣΗ: Ακολουθήστε τις προειδοποιήσεις και προφυλάξεις στο κεφάλαιο «ΣΗΜΑΝΤΙΚΕΣ ΟΔΗΓΙΕΣ ΑΣΦΑΛΕΙΑΣ» και το εγχειρίδιο οδηγιών της ηλεκτρικής μονάδας.

Οριζόντια κοπή

Όταν κουρεύετε φυλλώδεις φράχτες οριζόντια, να ακολουθείτε τα παρακάτω βήματα.

1. Τραβήξτε εντελώς το μοχλό γκαζιού.
 2. Εφαρμόστε τις λάμες στο φυλλώδη φράχτη υπό γωνία 15° έως 30°.
 3. Κουρέψτε το φυλλώδη φράχτη με μια αιωρούμενη κίνηση από τα δεξιά προς τα αριστερά.
- **Εικ.5**

Κάθετη κοπή

Όταν κουρεύετε φυλλώδεις φράχτες κάθετα, να ακολουθείτε τα παρακάτω βήματα.

1. Τραβήξτε εντελώς το μοχλό γκαζιού.
 2. Εφαρμόστε τις λάμες στο φυλλώδη φράχτη παράλληλα μεταξύ τους.
 3. Κουρέψτε τον φυλλώδη φράχτη από το κάτω μέρος προς τα πάνω, με μια αιωρούμενη κίνηση.
- **Εικ.6**

ΣΥΝΤΗΡΗΣΗ

▲ΠΡΟΕΙΔΟΠΟΙΗΣΗ: Πριν επιθεωρήσετε ή συντηρήσετε τον εξοπλισμό, σβήστε το μοτέρ και βγάλτε το καπάκι μπουζί ή την κασέτα μπαταριών. Διαφορετικά, οι λάμες ή τα άλλα μέρη μπορεί να μετακινηθούν και να προκληθεί σοβαρός τραυματισμός.

▲ΠΡΟΕΙΔΟΠΟΙΗΣΗ: Πριν το χειρισμό ή την εργασία γύρω από τις λάμες, να φοράτε προστατευτικά γάντια και να τοποθετείτε το κάλυμμα λαμών πάνω από τις λάμες. Κατά τη συναρμολόγηση ή ρύθμιση, τα δάκτυλά σας μπορεί να έρθουν σε επαφή με τις λάμες και να προκληθεί σοβαρός τραυματισμός.

▲ΠΡΟΕΙΔΟΠΟΙΗΣΗ: Όταν επιθεωρείτε ή συντηρείτε τον εξοπλισμό, πάντα να αφήνετε τον εξοπλισμό κάτω. Η συναρμολόγηση ή η ρύθμιση του εξοπλισμού σε όρθια θέση μπορεί να έχει ως αποτέλεσμα σοβαρό τραυματισμό.

▲ΠΡΟΕΙΔΟΠΟΙΗΣΗ: Ακολουθήστε τις προειδοποιήσεις και προφυλάξεις στο κεφάλαιο «ΣΗΜΑΝΤΙΚΕΣ ΟΔΗΓΙΕΣ ΑΣΦΑΛΕΙΑΣ» και το εγχειρίδιο οδηγιών της ηλεκτρικής μονάδας.

Επιθεώρηση λαμών

Ελέγξτε τις λάμες κάθε ημέρα για ζημιά, ραγίσματα και μη κοφτερά άκρα. Ζητήστε από ένα εξουσιοδοτημένο κέντρο σέρβις μας να αντικαταστήσει τις κατεστραμμένες λάμες ή να ακονίσει τις μη κοφτερές λάμες.

Ρύθμιση του διάκενου λαμών

Οι άνω/κάτω λάμες φθείρονται σταδιακά μετά από τις εργασίες. Αν δεν καταφέρετε να έχετε μια καθαρή κοπή ακόμη κι όταν οι λάμες είναι αρκετά αιχμηρές, ρυθμίστε το διάκενο όπως περιγράφεται στη συνέχεια.

Το διάκενο λαμών εξαρτάται από το σφίξιμο του εξαγωνικού μπουλονιού. Το παξιμάδι συγκρατεί το εξαγωνικό μπουλόνι με κάποιο βαθμό σφίξιματος. Ένα πολύ χαλαρό διάκενο προκαλεί μια μη κοφτερή κοπή, αλλά ένα πολύ σφιχτό διάκενο προκαλεί περιττή θερμότητα και πρόωρη φθορά των λαμών.

1. Χαλαρώστε τα παξιμάδια με ένα κλειδί.
 2. Σφίξτε τα εξαγωνικά μπουλόνια μέχρι να ακινητοποιηθούν. Μετά, βιδώστε τα ξανά κατά ένα τέταρτο της στροφής έως μισή στροφή, για να αποκτήσετε το απαιτούμενο διάκενο.
 3. Κρατήστε τα εξαγωνικά μπουλόνια και σφίξτε τα παξιμάδια.
 4. Εφαρμόστε ένα ελαφρύ λάδι στην επιφάνεια τριβής των λαμών.
 5. Εκκινήστε το μοτέρ και ενεργοποιήστε και απενεργοποιήστε το γκάζι για ένα λεπτό.
 6. Μετρήστε το χρόνο που απαιτείται για να σταματήσουν οι λάμες αφού αφήσετε το γκάζι. Αν είναι δύο δευτερόλεπτα ή περισσότερο, σβήστε το μοτέρ και επαναλάβετε τα βήματα 1 έως 6.
 7. Σβήστε το μοτέρ και αγγίξτε την επιφάνεια λαμών. Αν δεν είναι πολύ ζεστές και μπορείτε να τις ακουμπήσετε, έχετε κάνει σωστή ρύθμιση. Αν είναι πολύ ζεστές και δεν μπορείτε να τις ακουμπήσετε, περιστρέψτε τα εξαγωνικά μπουλόνια λίγο πίσω και επαναλάβετε τα βήματα 5 έως 7.
- **Εικ.7:** 1. Παξιμάδι 2. Εξαγωνικό μπουλόνι 3. Πλάκα
4. Προφυλακτήρας λάμας 5. Άνω λάμα 6. Κάτω λάμα

Λίπανση κινούμενων μερών

ΕΙΔΟΠΟΙΗΣΗ: Ακολουθήστε τις οδηγίες για τη συχνότητα και την παρεχόμενη ποσότητα γράσου. Διαφορετικά, η ανεπαρκής λίπανση μπορεί να προκαλέσει ζημιά στα κινούμενα μέρη.

► **Εικ.8**

Κιβώτιο ταχυτήτων:

Εφαρμόστε γράσο κάθε 25 ώρες εργασίας.

1. Η οπή γράσου βρίσκεται κάτω από το μπουλόνι. Αφαιρέστε το μπουλόνι για να λιπάνετε.
 2. Προσθέστε περίπου 5 g (7 cc) γράσο στην οπή γράσου.
 3. Επιστρέψτε το μπουλόνι μετά τη λίπανση.
- **Εικ.9:** 1. Οπή γράσου

ΠΑΡΑΤΗΡΗΣΗ: Αφού συμπληρώσετε τη σωστή ποσότητα γράσο, θα βγει λίγο γράσο από τη βάση της λάμας, κατά τη διάρκεια της πρώτης λειτουργίας.

Άξονας οδήγησης:

Εφαρμόστε γράσο κάθε 25 ώρες εργασίας.

Γενική επιθεώρηση

- Σφίξτε τα χαλαρά μπουλόνια, παξιμάδια και βίδες.
- Ελέγξτε για κατεστραμμένα εξαρτήματα και λάμες. Ζητήστε από ένα εξουσιοδοτημένο κέντρο σέρβις μας να τα αντικαταστήσει αν είναι απαραίτητο.

Αποθήκευση

▲ΠΡΟΕΙΔΟΠΟΙΗΣΗ: Ακολουθήστε τις προειδοποιήσεις και προφυλάξεις στο κεφάλαιο «ΣΗΜΑΝΤΙΚΕΣ ΟΔΗΓΙΕΣ ΑΣΦΑΛΕΙΑΣ» και το εγχειρίδιο οδηγιών της ηλεκτρικής μονάδας.

Όταν αποθηκεύετε το προσαρτήμα κλαδευτηρίου ξεχωριστά από την ηλεκτρική μονάδα, τοποθετήστε το καπάκι στο άκρο του άξονα.

► **Εικ.10**

ΜΕΣΟΔΙΑΣΤΗΜΑ ΣΥΝΤΗΡΗΣΗΣ

-		Πριν από τη λειτουργία	Κάθε ημέρα (10 ώρες)	25 ώρες	Αν απαιτείται
Ολόκληρη μονάδα	Επιθεωρήστε οπτικά για κατεστραμμένα μέρη	○	-	-	-
Όλες οι βίδες και παξιμάδια στερέωσης	Σφίξτε	○	-	-	-
Λάμες	Επιθεωρήστε για ζημιά, ραγίσματα και μη κοφτερά άκρα	-	○	-	-
	Ρυθμίστε το διάκενο	-	-	-	○
Κιβώτιο ταχυτήτων	Χορηγήστε γράσου	-	-	○	-
Άξονας οδήγησης	Χορηγήστε γράσου	-	-	○	-
Ηλεκτρική μονάδα	Ανατρέξτε στο εγχειρίδιο οδηγιών της ηλεκτρικής μονάδας				

ΑΝΤΙΜΕΤΩΠΙΣΗ ΠΡΟΒΛΗΜΑΤΩΝ

Κατάσταση προβλήματος	Πιθανή αιτία (δυσλειτουργία)	Αποκατάσταση
Το μοτέρ δεν ξεκινά.	Ανατρέξτε στο εγχειρίδιο οδηγιών της ηλεκτρικής μονάδας.	Ανατρέξτε στο εγχειρίδιο οδηγιών της ηλεκτρικής μονάδας.
Το μοτέρ σταματάει αμέσως μόλις ξεκινήσει.	Ανατρέξτε στο εγχειρίδιο οδηγιών της ηλεκτρικής μονάδας.	Ανατρέξτε στο εγχειρίδιο οδηγιών της ηλεκτρικής μονάδας.
Η μέγιστη ταχύτητα είναι περιορισμένη.	Ανατρέξτε στο εγχειρίδιο οδηγιών της ηλεκτρικής μονάδας.	Ανατρέξτε στο εγχειρίδιο οδηγιών της ηλεκτρικής μονάδας.
Οι λάμες δεν κινούνται. ⇒ Σταματήστε το μοτέρ αμέσως!	Λανθασμένη γωνία της μονάδας κοπής.	Βεβαιωθείτε ότι η ασφάλιση γωνίας δεσμεύεται σωστά.
Οι λάμες δεν κινούνται. ⇒ Σταματήστε το μοτέρ αμέσως!	Ένα κλαδάκι πιάστηκε στις λάμες.	Αφαιρέστε την ξένη ύλη.
Οι λάμες δεν κινούνται. ⇒ Σταματήστε το μοτέρ αμέσως!	Το σύστημα μετάδοσης κίνησης δεν λειτουργεί σωστά.	Ζητήστε από ένα εξουσιοδοτημένο κέντρο σέρβις μας να τα επισκευάσει και να τα επιθεωρήσει.
Η μονάδα υφίσταται ανώμαλη δόνηση. ⇒ Σταματήστε το μοτέρ αμέσως!	Το σύστημα μετάδοσης κίνησης δεν λειτουργεί σωστά.	Ζητήστε από ένα εξουσιοδοτημένο κέντρο σέρβις μας να τα επισκευάσει και να τα επιθεωρήσει.
Οι λάμες δεν σταματούν. ⇒ Σταματήστε το μοτέρ αμέσως!	Η ηλεκτρική μονάδα δεν λειτουργεί σωστά.	Ανατρέξτε στο εγχειρίδιο οδηγιών της ηλεκτρικής μονάδας.

ΠΡΟΑΙΡΕΤΙΚΑ ΕΞΑΡΤΗΜΑΤΑ

⚠ ΠΡΟΣΟΧΗ: Αυτά τα εξαρτήματα ή προσαρτήματα συνιστώνται για χρήση με το εργαλείο Makita που περιγράφτηκε στις οδηγίες αυτές. Η χρήση οποιωνδήποτε άλλων εξαρτημάτων ή προσαρτημάτων μπορεί να προκαλέσει κίνδυνο τραυματισμού σε άτομα. Να χρησιμοποιείτε τα εξαρτήματα ή προσαρτήματα μόνο για την χρήση που προορίζονται.

Εάν χρειάζεστε οποιαδήποτε βοήθεια για περισσότερες πληροφορίες σε σχέση με αυτά τα εξαρτήματα, αποτανθείτε στο τοπικό σας κέντρο εξυπηρέτησης Makita.

- Σύνολο λαμών

ΠΑΡΑΤΗΡΗΣΗ: Μερικά στοιχεία στη λίστα μπορεί να συμπεριλαμβάνονται στη συσκευασία εργαλείου ως στάνταρ εξαρτήματα. Μπορεί να διαφέρουν ανάλογα με τη χώρα.

TEKNİK ÖZELLİKLER

Model:	EN410MP
Ebat (U x G x Y)	1.104 mm x 85 mm x 61 mm (43-1/2" x 3-3/8" x 2-3/8")
Net ağırlık	2,0 kg (4,5 lbs)
Etkin kesim uzunluğu	490mm (19-1/4")
Dişli oranı	1 : 4,7

- Sürekli yapılan araştırma ve geliştirmelerden dolayı, burada belirtilen özellikler önceden bildirilmeksizin değiştirilebilir.
- Özellikler ülkeden ülkeye değişebilir.

Onaylı güç ünitesi

UYARI: Ek parçayı asla onaylı olmayan güç üniteleriyle kullanmayın. Onaylı olmayan bir kombinasyon ciddi yaralanmaya sebep olabilir.

Bu ek parça sadece şu güç ünitesi/üniteleri ile kullanım için onaylıdır:

- (Çok İşlevli Güç Başlığı)
EX2650LH
- (Akülü Çok İşlevli Güç Başlığı)
BUX360, BUX361, BUX362, UX360D, UX361D, UX362D,
DUX60, XUX01, DUX18, XUX02, UX01G, GUX01

Onaylı ek parça

UYARI: Hiçbir zaman onaylı olmayan ek parça kullanmayın. Onaylı olmayan bir kombinasyon ciddi yaralanmaya sebep olabilir.

Bu ek parça sadece şu ek parça(lar) ile kullanım için onaylıdır:

- (Şaft uzatma ek parçası)
LE400MP

Semboller

Ekipmanı için kullanılacak semboller aşağıda gösterilmiştir. Kullanmadan önce anlamlarını anladığınızdan emin olun.

	Kullanım kılavuzunu okuyun ve takip edin.
	Çok dikkatli kullanın!
	Yasak!
	Elektrik hatlarına dikkat edin. Elektrik çarpması riski vardır.
	TEHLİKE - Elleri bıçaktan uzak tutun.
	Koruyucu eldiven giyin.
	Koruyucu baret, gözlük ve kulaklık kullanın.
	Altı kaymayan sağlam ayakkabılar giyin.
	Etrafınızdaki kişileri ya da hayvanları elektrikli aletten en az 15 m uzağında tutun.
	İnsanları ve hayvanları çalışma alanından uzak tutun.
	Sıcak yüzeyler - Parmaklar ve ellerde yanıklara neden olur.
	İlk yardım



AB Dış Mekan Gürültü Direktifi uyarınca garanti edilen ses gücü seviyesi.



Australya NSW Gürültü Kontrol Mevzuatı uyarınca ses gücü seviyesi

Kullanım amacı

Bu ek parça, sadece onaylı bir güç ünitesiyle çalı ve çitleri budama amacıyla tasarlanmıştır. Ek parçayı başka bir amaçla kullanmayın. Ek parçayı amacı dışında kullanmak ciddi yaralanmaya neden olabilir.

EC Uygunluk Beyanı

Sadece Avrupa ülkeleri için

Üretici firma: **Makita Europe N.V.**, İş adresi: **Jan-Baptist Vinkstraat 2 3070 Kortenberg BELÇİKA** olarak **Hiroshi Tsujimura**'ya teknik dosyayı derleme yetkisi verir ve yegane bizim sorumluluğumuzda aşağıda adı verilen ürünün/ürünlerin:

Adı: **Çit Budama Ek Parçası**. Tip Adı: **EN410MP**.

2006/42/EC'nin ilgili tüm hükümlerini karşıladığını ve ayrıca **2000/14/EC** EC/EU Direktifinin ilgili hükümlerini karşıladığını ve **EN ISO 10517:2019, EN 62841-4-2:2019** Uyumlu Hale Getirilmiş Standardına uygun olarak imal edildiğini beyan ederiz.

Beyan yeri ve tarihi: **Kortenberg, Belçika. 1. 5. 2022**

Sorumlu kişi: **Hiroshi Tsujimura, Direktör - Makita Europe N.V.**

Hiroshi Tsujimura

GÜVENLİK UYARILARI

Çit budama aleti güvenlik uyarıları

- Vücudun tüm kısımlarını bıçaktan uzak tutun. Bıçaklar hareket halindeyken kesilen malzemeyi çıkarmayın veya kesilecek malzemeyi tutmayın.** Anahtar kapatıldıktan sonra bıçaklar hareket etmeye devam eder. Çit budama aletini kullanırken bir anlık bir dikkatsizlik ciddi yaralanmayla sonuçlanabilir.
- Çit budama aletini bıçak durmuş olarak ve hiçbir güç anahtarını çalıştırmamaya dikkat ederek sapından taşıyın.** Çit budama aletinin düzgün taşınması kazara çalıştırılması ve bunun sonucunda bıçaklardan kaynaklanan yaralanma riskini azaltır.
- Çit budama aletini taşırken veya saklarken bıçak kapağını mutlaka takın.** Çit budama aletinin düzgün kullanılması bıçaklardan kaynaklanan yaralanma riskini azaltır.
- Sıkışan malzemeyi çıkarırken veya üniteye bakım yaparken tüm güç anahtarlarının kapalı olduğundan ve batarya takımının çıkarıldığından veya ayrıldığından emin olun.** Sıkışan malzemeyi çıkarırken veya bakım sırasında çit budama aletinin beklenmedik şekilde çalışması ciddi yaralanmaya neden olabilir.
- Çit budama aletini yalnızca yalıtımlı kavrama yüzeylerinden tutun, çünkü bıçak gizli kablolarla temas edebilir.** Bıçakların "akımlı" bir telle temas etmesi çit budama aletinin yalıtımsız metal kısımlarını "akımlı" hale getirebilir ve kullanıcıyı elektrik şokuna maruz bırakabilir.
- Tüm elektrik kablolarını kesim alanından uzak tutun.** Elektrik kabloları çitlere veya çalılara saklanabilir ve bıçak tarafından yanlışlıkla kesilebilir.
- Özellikle yıldırım düşmesi riski olan kötü hava koşullarında çit budama aletini kullanmayın.** Bu, yıldırım çarpması riskini azaltır.

Uzun erişimli çit budama güvenlik uyarıları

1. **Elektrik çarpması riskini azaltmak için uzun erişimli çit budama aletini her türlü elektrik hattının yanında asla kullanmayın.** Elektrik hatları ile temas veya bunların yanında kullanmak, ciddi yaralanma veya ölümlü sonuçlanacak elektrik çarpmasına neden olabilir.
2. **Uzun erişimli çit budamayı kullanırken daima iki elinizi kullanın.** Kontrol kaybını önlemek için uzun erişimli çit budamayı iki elle tutun.
3. **Uzun erişimli çit budamayı başınızdan daha yukarıda kullanırken daima baret kullanın.** Düşen döküntüler ciddi yaralanmaya neden olabilir.

ÖNEMLİ GÜVENLİK TALİMATLARI

⚠UYARI: Bu kitapçıkta yer alan tüm güvenlik uyarılarını, tüm talimatları ve güç ünitesinin kullanım kılavuzunu okuyun. Uyarılara ve talimatlara uyulmaması elektrik şoku, yangın ve/veya ciddi yaralanmalar ile sonuçlanabilir.

⚠UYARI: Tüm uyarıları ve talimatları ilerde başvurmak için saklayın.

Uyarı ve önlemlerdeki "çit budama aleti" ve "cihaz" terimleri ek parça ve güç ünitesi kombinasyonunu ifade eder.

Uyarı ve önlemlerdeki "motor" terimi güç ünitesinin motorunu veya elektrikli motorunu ifade eder.

Genel önlemler

1. Çit budama aletini başlatmadan önce çit budama aletinin kullanımına aşina olmak için bu kitapçığı ve güç ünitesinin kullanım kılavuzunu okuyun.
2. Çit budama aletlerinin kullanımı hakkında yeterli deneyim veya bilgisi olmayan kişilere aleti ödünç vermeyin.
3. Ek parçayı ödünç verirken, daima bu kullanım kılavuzunu da yanında verin.
4. Çocukların ve 18 yaş altındaki gençlerin çit budama aletini kullanmalarına izin vermeyin. Onları çit budama aletinden uzak tutun.
5. Çit budama aletini azami özen ve dikkatle kullanın.
6. Alkol veya ilaç aldıktan sonra ya da yorgun veya hasta hissettiğinizde çit budama aletini asla kullanmayın.
7. Ek parça üzerinde değişiklik yapmaya kalkışmayın.
8. Çit budama aletlerinin kullanımıyla ilgili kendi ülkenizdeki düzenlemeleri takip edin.

Kişisel koruyucu ekipmanlar

► Şek.1

1. Uçuşan toz birikintileri ve düşen nesnelere kendinizi korumak için güvenlik kaskı, koruyucu gözlük ve koruyucu eldiven giyin.
2. İşitme kaybını önlemek için kulak tıkacı gibi bir kulak koruyucu takın.
3. Güvenli çalışmak için uygun giysiler ve ayakkabılar giyin; örneğin iş tulumu ve kaymayan sağlam ayakkabılar. Bol giysiler giymeyin ve takı takmayın. Bol giysiler, takılar ya da uzun saçlar hareketli parçalara takılabilir.
4. Bıçaklara dokunurken ya da bıçak açısını ayarlarken koruyucu eldiven giyin. Bıçaklar çıplak ellerde ciddi kesikler oluşturabilir.

Çalışma alanı güvenliği

⚠UYARI: Çit budama aletini elektrik hatlarından ve iletişim kablolarından uzak tutun. Yüksek gerilim hatlarına çit budama aletiyle dokunulması ya da yaklaşıması ölüme ya da ciddi yaralanmalara neden olabilir. Çalışmaya başlamadan önce, çalışma alanının etrafındaki elektrik hatlarına ve elektrikli çitlere dikkat edin.

⚠UYARI: Bu ürünün kullanımı, toz içeren ve solunum rahatsızlığı ya da başka hastalıklara yol açabilecek kimyasallar içeren toz yaratabilir. Bu kimyasalların bazı örnekleri, böcek ilaçlarında, suni gübrelerde ve bitki öldürücülerde bulunan bileşimlerdir. Bu kimyasallara maruz kalmanızdan dolayı oluşacak risk, bu tip işleri ne sıklıkla yaptığınıza göre değişir. Bu kimyasallara maruziyetinizi azaltmak için: İyi havalandırılmış bir alanda ve mikroskobik parçacıkları filtrelemek için tasarlanmış toz maskeleri gibi onaylanan güvenlik ekipmanları ile çalışın.

1. Çit budama aletini sadece aydınlık bir ortamda ve gün ışığında kullanın. Çit budama aletini karanlıkta ya da sisli havada kullanmayın.
2. Motoru sadece dışarıda, iyi havalandırılan bir alanda başlatın ve çalıştırın. Kapalı veya iyi havalandırılmayan bir alanda çalıştırma, boğulma veya karbonmonoksit zehirlenmesi neticesi ölümlere yol açabilir.
3. Kullanım sırasında, asla sabit olmayan ya da kaygan bir yüzeyde veya dik meyilli bir yerde durmayın. Soğuk mevsimlerde, buz ve kara karşı dikkatli olun ve her zaman yere sağlam bastığınızdan emin olun.
4. Kullanım sırasında, etrafınızdaki kişileri ya da hayvanları çit budama aletinin en az 15 m uzağında tutun. Biri yaklaştığı anda motoru durdurun.
5. Çalıştırmadan önce, çalışma alanında tel örgü, taş ya da başka katı nesnelere olup olmadığına bakın. Bunlar bıçaklara zarar verebilir.

Çalıştırmaya başlama

1. Cihazı monte etmeye veya ayarlamaya başlamadan önce, motoru kapatın ve buji kapağını ya da batarya kartuşunu çıkarın.
2. Bıçakları monte etmeden veya kesim açısını ayarlamadan önce, koruyucu eldiven giyin.
3. Motoru çalıştırmadan önce cihazı hasarlara, gevşek vidalara/somunlara veya hatalı montaja karşı kontrol edin. Bıçaklarda çatlak, bükülme ya da hasar varsa bıçakları değiştirin. Rahat çalışmak için tüm kontrol kollarını ve anahtarları kontrol edin. Tutamakları temizleyin ve kurulayın.
4. Cihaz hasarlıysa veya montajı tam olarak yapılmamışsa motoru asla çalıştırmayı denemeyin. Aksi takdirde ciddi yaralanmalar meydana gelebilir.
5. Omuz kayışı ve kulpu, kullanıcının vücut ölçüsüne uyacak şekilde ayarlayın.

Çalıştırma

1. Acil bir durumda, motoru derhal kapatın.
2. İşlem sırasında herhangi bir olağan dışı koşul sezinlerseniz (örneğin gürültü, titreşim) motoru kapatın. Durumun nedeni anlaşılıp çözülene kadar çit budama aletini kullanmayın.
3. Kısmi tetiği serbest bırakıldıktan ya da motor kapatıldıktan sonra da bıçaklar kısa bir süre hareket etmeye devam eder. Bıçaklara dokunmak için acele etmeyin.
4. Omuz kayışını motor sadece rölantide çalışırken takın.
5. İşlem sırasında, omuz kayışını kullanın. Çit budama aletini sağ tarafınızda sıkı bir şekilde tutun.

► Şek.2

6. İster sağlak, ister solak olun; ön sapı sol elinizle, arka sapı sağ elinizle tutun. Parmaklarınızı baş parmaklarınızla birlikte sapların etrafına kenetleyin.
7. Cihazı asla tek elle kullanmaya çalışmayın. Kontrolün kaybedilmesi ciddi ya da ölümcül yaralanmalarla sonuçlanabilir. Kesik yaralanması riskini azaltmak için, ellerinizi ve ayaklarınızı bıçaklardan uzak tutun.
8. Fazla ileriye uzanmaya çalışmayın. Her zaman yere sağlam basın ve dengenizi koruyun. Tökezlememek için, ağaç kütükleri, kökler ve çukur alanlar gibi gizli engellere dikkat edin. Düşen dalları ve diğer nesnelere kenara çekin.
9. Kontrolü kaybetmemek için, asla bir merdiven ya da ağacın üzerinde çalışmayın.
10. Aleti omuz hizasından yukarıda tutmayın.
11. Çalıştırma sırasında, bıçaklarla asla taş ve metal gibi sert engellere dokunmayın. Tel örgülerin yanındaki ya da üzerindeki çitleri keserken çok dikkatli olun. Yere yakın çalışırken bıçakların arasına kum, tanecik ya da taşların girmediğinden emin olun.
12. Bıçaklar taşlarla ya da başka katı nesnelere karşılaşırsa, motoru hemen durdurun ve bujiyi veya batarya kartuşunu çıkardıktan sonra bıçakları kontrol edin. Hasarlı olmaları durumunda bıçakları değiştirin.
13. Kalın dallar bıçakların içine sıkışırsa, motoru hemen kapatın ve çit budama aletini yere koyun; bujiyi veya batarya kartuşunu çıkarın ve ardından engeli kaldırın. Cihazı yeniden kullanmadan önce bıçaklarda hasar olup olmadığını kontrol edin.
14. Bıçaklar hareket halindeyken bıçaklara asla dokunmayın veya yaklaşmayın. Bıçaklar parmağınızı kolayca kesebilir. Bıçaklara dokunurken ya da bıçak açısını ayarlarken motoru durdurun ve buji kapağını veya batarya kartuşunu çıkarın.
15. Bıçaklar bloke olduğunda motoru hızlandırmak yükü artırır ve motora ve/veya kavramaya zarar verir.
16. Çalıştırma sırasında, kesim bıçaklarını sık sık çatlaklara veya körelmiş kenarlara karşı kontrol edin. İnceleme yapmadan önce motoru kapatın ve bıçaklar tamamen durana kadar bekleyin. Sadece yüzeysel çatlakları olsa bile hasarlı ya da körelmiş bıçakları hemen değiştirin.

PARÇALARIN TANIMI

► Şek.3

1	Bıçaklar	2	Dişli kutusu	3	Kapak	4	Bıçak kapağı
---	----------	---	--------------	---	-------	---	--------------

MONTAJ

▲ UYARI: Cihazı monte etmeye veya ayarlama başlamanın önce, motoru kapatın ve buji kapağını ya da batarya kartuşunu çıkarın. Aksi takdirde bıçaklar ve diğer parçalar hareket edebilir ve ciddi yaralanmaya sebep olabilir.

▲ UYARI: Bıçaklarla uğraşırken veya bıçakların yakınında çalışırken, koruyucu eldiven giyin ve bıçakların üzerine bıçak kapağı kapatın. Aksi takdirde bıçaklar çıplak elleri ciddi şekilde kesebilir.

▲ UYARI: Cihazı monte ederken ve ayarlarken daima yere koyun. Cihazı dik konumda monte etmek veya ayarlamak ciddi yaralanmaya neden olabilir.

▲ UYARI: “Güvenlik önlemleri” bölümünde yer alan uyarı ve önlemlere ve güç ünitesinin kullanım kılavuzuna uyun.

▲ UYARI: Ekipmanı kullanmadan önce kilitleme kolunun sıkıldığından emin olun.

Ek parçanın bir güç ünitesine monte edilmesi

Ek parçayı bir güç ünitesine monte etmek için, aşağıdaki adımları takip edin.

1. Kilitleme kolunun sıkılmadığından emin olun.
2. Pimi ok işaretiyle hizalayın.
3. Mili konum çizgisi ve serbest bırakma düğmesi ortaya çıkana kadar güç ünitesinin tahrik şaftının içine doğru sokun.
4. Kilitleme kolunu şekilde gösterildiği sıkılayın.

Ek parçayı çıkarmak için, kilitleme kolunu zıt yönde döndürerek kilitleme kolunu gevşetin, kilitleme koluna bastırın ve mili ayırın.

- Şek.4: 1. Kilitleme kolu 2. Pim 3. Ok işareti 4. Konum çizgisi 5. Serbest bırakma düğmesi

ÖNEMLİ NOT: Kilitleme kolunu ek parçanın mili takılmadan sıkılamayın. Aksi takdirde kilitleme kolu, tahrik şaftının girişini çok fazla sıkıp ona zarar verebilir.

KULLANIM

▲ UYARI: Bıçaklar rölantide hareket ediliyorsa, motorun rölanti hızı ayarını düşürün. Aksi takdirde kısma tetiği kapalıyken bıçakları durduramazsınız ve bu ciddi yaralanmalara neden olabilir.

▲ UYARI: “ÖNEMLİ GÜVENLİK TALİMATLARI” bölümünde yer alan uyarı ve önlemleri ve güç ünitesinin kullanım kılavuzunda.

Yatay kesim

Çitleri yatay şekilde budarken aşağıdaki adımları takip edin.

1. Kısma kolunu tam olarak çekin.
 2. Bıçakları çite 15° ila 30° açı yapacak şekilde uygulayın.
 3. Çiti sağdan sola doğru dairesel şekilde budayın.
- Şek.5

Dikey kesim

Çitleri dikey şekilde budarken aşağıdaki adımları takip edin.

1. Kısma kolunu tam olarak çekin.
 2. Bıçakları çite paralel olacak şekilde uygulayın.
 3. Çiti aşağıdan yukarı doğru dairesel şekilde budayın.
- Şek.6

17. Cihaz ağır bir darbe alır ya da düşerse, çalışmaya devam etmeden önce durumunu kontrol edin. Yakıt kaçağı olup olmadığını tespit etmek için yakıt sistemini ve arıza olup olmadığını tespit etmek için kontrol ve güvenlik cihazlarını kontrol edin. Herhangi bir hasar ya da şüpheli bir durum varsa, inceleme ve tamir için yetkili servis merkezimize başvurun.
18. Dişli kutusuna dokunmayın. Kullanım sırasında dişli kutusu ısınır.
19. Yorgunluk nedeniyle kontrol kaybı oluşmasını önlemek için dinlenin. Saat başına 10 ila 20 dakika dinlenmeniz önerilir.
20. Cihazı kısa bir süreliğine bile olsa bıraktığınızda, daima motoru kapatın veya batarya kartuşunu çıkarın. Motor çalışır haldeyken gözetimsiz bir şekilde bırakılan cihaz yetkisiz bir kişi tarafından kullanılabilir ve ciddi kazalara sebep olabilir.
21. Kesmeden önce, maksimum hıza erişmek için kısma kolunu tamamen çekin.
22. Kontrol kolunun ve anahtarın doğru kullanımı için güç ünitesinin kullanım kılavuzuna bakın.
23. Çalıştırma sırasında veya sonrasında, sıcak cihazları kuru otların ya da tutuşabilecek malzemelerin üzerine koymayın.

Taşıma

1. Cihazı taşımadan önce, motoru kapatın ve buji kapağını ya da batarya kartuşunu çıkarın. Taşıma sırasında bıçak kapağını daima takın.
2. Cihazı taşırken, mili tutarak yatay konumda taşıyın. Sıcak susturucuyu vücudunuzdan uzak tutun.
3. Cihazı bir aracın içinde taşırken, ters dönmesini engellemek için uygun bir şekilde sabitleyin. Aksi takdirde yakıt dökülmesi meydana gelebilir, cihaz ve diğer yolcu eşyaları zarar görebilir.

Bakım

1. Herhangi bir bakım veya tamir işlemi yapmadan ya da cihazı temizlemeden önce daima motoru kapatın ve buji kapağını veya batarya kartuşunu çıkarın. Motor soğuyana kadar bekleyin.
2. Yangın riskini azaltmak için, cihazın servis işlemlerini asla ateşin yakınında yapmayın.
3. Bıçaklarla uğraşırken daima koruyucu eldiven kullanın.
4. Cihazı daima toz ve kire karşı temiz tutun. Bu iş için asla benzin, tiner, alkol ve benzeri maddeleri kullanmayın. Plastik parçalarda renk değişimi, deformasyon veya çatlaklar oluşabilir.
5. Her kullanımdan sonra, karbüratör ayar vidaları hariç tüm vidaları ve somunları sıkılayın.
6. Kesici aleti keskin tutun. Kesici bıçaklar körelirse ve kesim performansını zayıflarsa, yetkili servis merkezimizden bıçakları bilemelerini isteyin.
7. Eğilmiş ya da kırılmış bıçakları asla düzleştirme ya da kaynak yapma yoluyla tamir etmeyin. Bunu yapmak bıçakların parçalanmasına neden olabilir ve ciddi yaralanmalarla sonuçlanabilir. Orijinal Makita bıçaklarıyla değiştirmek için yetkili servis merkezi-mizle iletişim kurun.
8. Bu kitapçıkta ya da güç ünitesinin kullanım kılavuzunda açıklananlar dışında bir bakım veya onarım işlemi yapmayı denemeyin. Bu tür işlemler için yetkili servis merkezimize başvurun.
9. Daima ve sadece orijinal Makita yedek parçalarını ve aksesuarlarını kullanın. Üçüncü taraflarca sağlanan parça ve aksesuarların kullanımı cihazın arızalanması, eşyaların hasar görmesi ve/veya ciddi yaralanmaya neden olabilir.
10. Yetkili servis merkezimizden düzenli aralıklarla çit budama aletinin kontrol edilmesini ve bakımının yapılmasını isteyin.

Saklama

1. Cihazı saklamadan önce, tam bir temizlik ve bakım yapın. Bıçak kapağını takın.
2. Cihazı, çocukların ulaşamayacağı, kuru ve yüksek ya da kilitli bir yerde saklayın.
3. Cihazı herhangi bir yere, örneğin duvara, dayamayın. Aksi takdirde çit budama aleti aniden düşebilir ve yaralanmaya neden olabilir.

İlk yardım

1. Daima yakın bir yerde ilk yardım seti bulundurun. İlk yardım setinden alınan her öğenin yerine hemen yenisini koyun.
2. **Yardım isterken aşağıdaki bilgileri verin:**
 - Kaza yeri
 - Ne olduğu
 - Yaralı kişi sayısı
 - Kazanın türü
 - Adınız

BAKIM

⚠UYARI: Cihazı kontrol etmeden veya bakımını yapmadan önce, motoru kapatın ve buji kapağını ya da batarya kartuşunu çıkarın. Aksi takdirde bıçaklar ve diğer parçalar hareket edebilir ve ciddi yaralanmaya sebep olabilir.

⚠UYARI: Bıçaklarla uğraşırken veya bıçakların yakınında çalışırken, koruyucu eldiven giyin ve bıçakların üzerine bıçak kapağı kapatın. Montaj veya ayarlama sırasında parmaklar bıçaklarla temas edebilir ve bu da ciddi yaralanmalara neden olabilir.

⚠UYARI: Cihazı kontrol ederken veya bakımını yaparken cihazı daima yere koyun. Cihazı dik konumda monte etmek veya ayarlamak ciddi yaralanmaya neden olabilir.

⚠UYARI: “ÖNEMLİ GÜVENLİK TALİMATLARI” bölümünde yer alan uyarı ve önlemleri ve güç ünitesinin kullanım kılavuzunda.

Bıçakların kontrol edilmesi

Bıçaklarda çatlak, hasar ya da körelmiş kenar olup olmadığını kontrol edin. Yetkili servis merkezinden hasarlı bıçakları değiştirmelerini ya da körelmiş bıçakları bilemelerini isteyin.

Bıçak açıklığının ayarlanması

Üst/alt bıçaklar kullanımların ardından tedricen aşınır. Bıçaklar yeterince keskin olmasına rağmen temiz bir kesim elde edemiyorsanız, açıklığı aşağıda anlatıldığı şekilde ayarlayın.

Bıçakların açıklığı altıgen civatanın sıkılığına bağlıdır. Somun, altıgen civatayı belli bir sıkılıkta tutar. Açıklığın çok gevşek olması körelmiş kesimlere neden olur, ancak açıklığın çok dar olması da gereksiz ısınmaya ve bıçakların daha erken aşınmasına neden olur.

1. Somunları bir anahtarla gevşetin.
2. Altıgen civataları durana kadar hafifçe sıkın. Ardından, gerekli açıklığı elde etmek için her birini çeyrek ila yarım tur geriye döndürerek vidalayın.
3. Altıgen civataları tutun ve somunları sıkılayın.
4. Bıçakların sürtünme yüzeyine ince bir yağ uygulayın.
5. Motoru başlatın ve bir dakika boyunca kısma kolunu açık ve kapalı konuma getirerek çalıştırın.
6. Kısma tetiği serbest bırakıldıktan sonra bıçakların durması için gereken zamanı hesaplayın. Bu zaman iki saniye ya da daha uzunsa, motoru kapatın ve 1 ila 6 numaralı adımları tekrar edin.
7. Motoru kapatın ve bıçak yüzeyine dokunun. Dokunulamayacak kadar sıcak değilse, ayarlamayı doğru bir şekilde yapmışsınızdır. Dokunulamayacak kadar sıcaksa, altıgen civataları geriye doğru biraz döndürün ve 5 ila 7 numaralı adımları tekrar edin.

► **Şek.7:** 1. Somun 2. Altıgen civata 3. Plaka 4. Bıçak siperi 5. Üst bıçak 6. Alt bıçak

Hareketli parçaların yağlanması

ÖNEMLİ NOT: Sıklık ve sağlanan gres miktarına ilişkin talimatları takip edin. Aksi takdirde yetersiz yağlama hareketli parçalara zarar verebilir.

► **Şek.8**

Dişli kutusu:

Her 25 çalışma saatinin sonunda gres uygulayın.

1. Gres deliği civatanın altında yer alır. Yağlamayı gerçekleştirmek için civatayı sökün.
2. Gres deliğine yaklaşık 5 g (7 cc) gres ekleyin.
3. Yağlamayı gerçekleştirdikten sonra civatayı yerine geri takın.

► **Şek.9:** 1. Gres deliği

NOT: Doğru miktarda gres doldurulduğunda, ilk çalıştırma sırasında bıçak tabanından bir miktar gres çıkar.

Tahrik şaftı:

Her 25 çalışma saatinin sonunda gres uygulayın.

Genel kontrol

- Gevşek civataları, vidaları ve somunları sıkılayın.
- Hasarlı parça ve bıçak olup olmadığını kontrol edin. Gerekirse yetkili servis merkezinde bu parçaları değiştirin.

Saklama

⚠UYARI: “ÖNEMLİ GÜVENLİK TALİMATLARI” bölümünde yer alan uyarı ve önlemleri ve güç ünitesinin kullanım kılavuzunda.

Çit budama ek parçasını güç ünitesinden ayrı bir şekilde saklarken, milin ucuna kapağı kapatın.

► **Şek.10**

BAKIM ARALIĞI

		Kullanımdan önce	Günlük (10 sa)	25 sa	Gerekliyse
Tüm ünite	Hasarlı parça olup olmadığını görsel olarak kontrol edin	○	-	-	-
Tüm sabitleme vidaları ve somunları	Sıkılayın	○	-	-	-
Bıçaklar	Hasar, çatlak ya da körelmiş kenar olup olmadığını kontrol edin	-	○	-	-
	Açıklığı ayarlayın	-	-	-	○
Dişli kutusu	Gres uygulayın	-	-	○	-
Tahrik şaftı	Gres uygulayın	-	-	○	-
Güç ünitesi	Güç ünitesinin kullanım kılavuzuna başvurun				

SORUN GİDERME

Anormal durum	Olası nedeni (arıza)	Çözümü
Motor başlatılmıyor.	Güç ünitesinin kullanım kılavuzuna başvurun.	Güç ünitesinin kullanım kılavuzuna başvurun.
Motor başlatıldıktan kısa bir süre sonra duruyor.	Güç ünitesinin kullanım kılavuzuna başvurun.	Güç ünitesinin kullanım kılavuzuna başvurun.
Maksimum hız sınırlandırılmış.	Güç ünitesinin kullanım kılavuzuna başvurun.	Güç ünitesinin kullanım kılavuzuna başvurun.
Bıçaklar hareket etmiyor. ⇒ Motoru hemen durdurun!	Kesici ünite açısı uygun değil.	Açı kilidinin düzgün bir şekilde devreye girdiğinden emin olun.
Bıçaklar hareket etmiyor. ⇒ Motoru hemen durdurun!	Bıçaklara ince bir dal takılmış.	Yabancı cismi çıkarın.
Bıçaklar hareket etmiyor. ⇒ Motoru hemen durdurun!	Tahrik sistemi doğru işlemiyor.	Yetkili servis merkezimizden kontrolünü ve tamirini isteyin.
Ünite anormal bir şekilde titreşiyor. ⇒ Motoru hemen durdurun!	Tahrik sistemi doğru işlemiyor.	Yetkili servis merkezimizden kontrolünü ve tamirini isteyin.
Bıçaklar durmuyor. ⇒ Motoru hemen durdurun!	Güç ünitesi düzgün bir şekilde çalışmıyor.	Güç ünitesinin kullanım kılavuzuna başvurun.

İSTEĞE BAĞLI AKSESUARLAR

⚠ DİKKAT: Bu aksesuarlar ve ek parçalar bu el kitabında belirtilen Makita aletiniz ile kullanılmak için tavsiye edilmektedir. Herhangi başka bir aksesuar ya da ek parça kullanılması insanlar için bir yaralanma riski getirebilir. Aksesuarları ya da ek parçaları yalnızca belirtilmiş olan kullanım amaçlarına uygun olarak kullanın.

Bu aksesuarlarla ilgili daha fazla bilgiye ihtiyaç duyarsanız bulunduğunuz yerdeki yetkili Makita servisine başvurun.

- Bıçak seti

NOT: Listedeki parçaların bazıları alet paketi içerisinde standart aksesuar olarak dahil edilmiş olabilir. Bunlar ülkeden ülkeye farklılık gösterebilir.

Makita Europe N.V. Jan-Baptist Vinkstraat 2,
3070 Kortenberg, Belgium

Makita Corporation 3-11-8, Sumiyoshi-cho,
Anjo, Aichi 446-8502 Japan

www.makita.com

885480F996
EN, FR, DE, IT, NL,
ES, PT, DA, EL, TR
20220121