



GB Power Scraper

Instruction manual

ID Mesin Pengikis

Petunjuk penggunaan

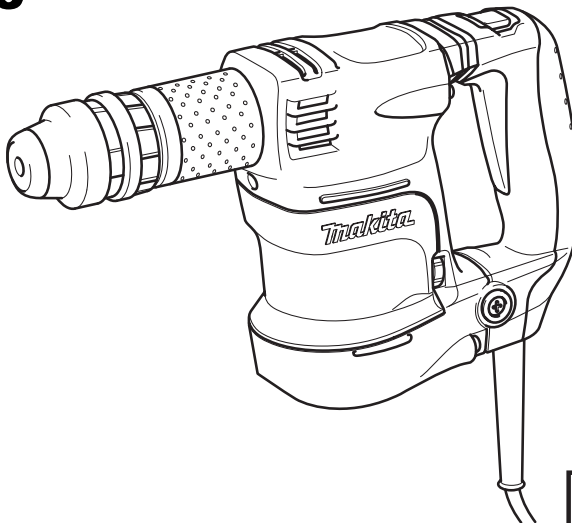
VI Máy cạo

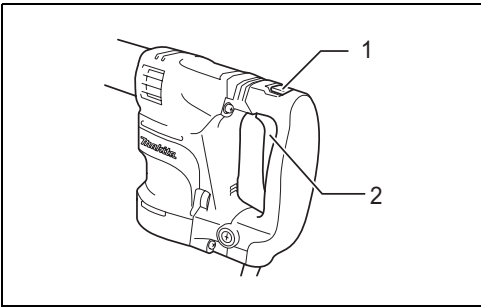
Tài liệu hướng dẫn

TH เครื่องสกัดไฟฟ้า

คู่มือการใช้งาน

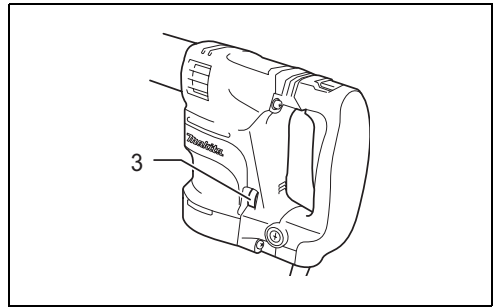
HK1820





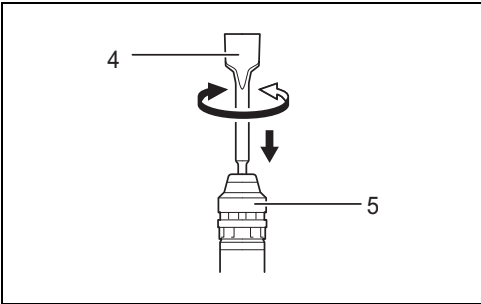
1

008523



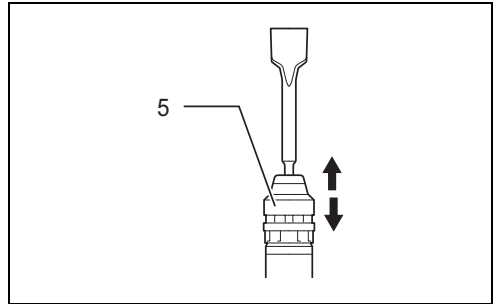
2

008524



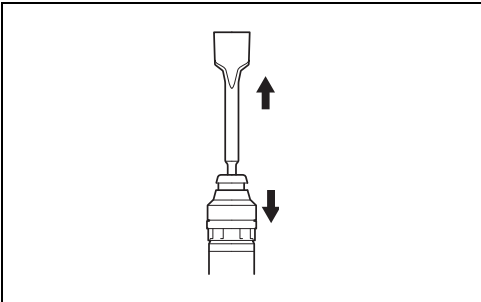
3

008525



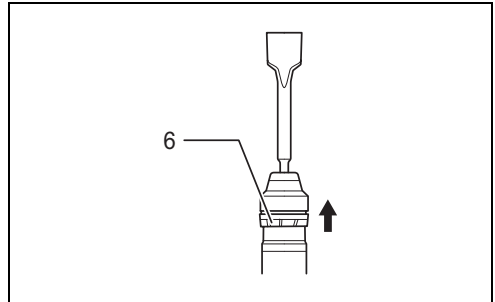
4

008528



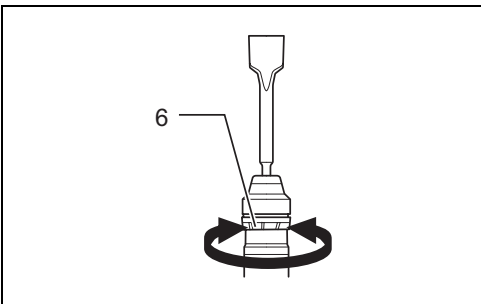
5

008529



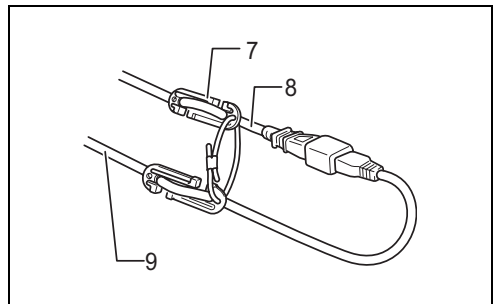
6

008532



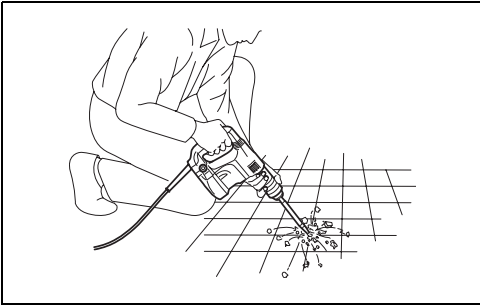
7

008533



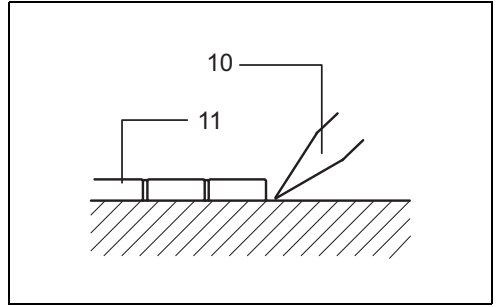
8

008530



9

008527



10

002941

Explanation of general view

- | | | |
|-------------------|----------------------|--------------------|
| 1. Lock button | 5. Chuck cover | 9. Extension cord |
| 2. Switch trigger | 6. Change ring | 10. Scaling chisel |
| 3. Adjusting dial | 7. Hook | 11. Tile |
| 4. Bit | 8. Power supply cord | |

SPECIFICATIONS

Model	HK1820
Blows per minute (min ⁻¹)	0 - 3,200
Overall length	351 mm
Net weight	3.4 kg
Safety class	□/II

- Due to our continuing programme of research and development, the specifications herein are subject to change without notice.
- Specifications may differ from country to country.
- Weight according to EPTA-Procedure 01/2003

END201-5

Symbols

The following show the symbols used for the equipment. Be sure that you understand their meaning before use.



.... Read instruction manual.



..... DOUBLE INSULATION

ENE047-1

Intended use

The tool is intended for chiselling work in concrete, brick and stone as well as for driving and compacting with appropriate accessories.

ENF002-1

Power supply

The tool should be connected only to a power supply of the same voltage as indicated on the nameplate, and can only be operated on single-phase AC supply. They are double-insulated in accordance with European Standard and can, therefore, also be used from sockets without earth wire.

GEA005-3

General Power Tool Safety Warnings

⚠ WARNING! Read all safety warnings and all instructions. Failure to follow the warnings and instructions may result in electric shock, fire and/or serious injury.

Save all warnings and instructions for future reference.

The term “power tool” in the warnings refers to your mains-operated (corded) power tool or battery-operated (cordless) power tool.

Work area safety

1. **Keep work area clean and well lit.** Cluttered or dark areas invite accidents.
2. **Do not operate power tools in explosive atmospheres, such as in the presence of flammable liquids, gases or dust.** Power tools create sparks which may ignite the dust or fumes.
3. **Keep children and bystanders away while operating a power tool.** Distractions can cause you to lose control.

Electrical safety

4. **Power tool plugs must match the outlet. Never modify the plug in any way. Do not use any adapter plugs with earthed (grounded) power tools.** Unmodified plugs and matching outlets will reduce risk of electric shock.
5. **Avoid body contact with earthed or grounded surfaces such as pipes, radiators, ranges and refrigerators.** There is an increased risk of electric shock if your body is earthed or grounded.
6. **Do not expose power tools to rain or wet conditions.** Water entering a power tool will increase the risk of electric shock.
7. **Do not abuse the cord. Never use the cord for carrying, pulling or unplugging the power tool. Keep cord away from heat, oil, sharp edges or moving parts.** Damaged or entangled cords increase the risk of electric shock.
8. **When operating a power tool outdoors, use an extension cord suitable for outdoor use.** Use of a cord suitable for outdoor use reduces the risk of electric shock.

9. **If operating a power tool in a damp location is unavoidable, use a residual current device (RCD) protected supply.** Use of an RCD reduces the risk of electric shock.
10. **Use of power supply via a RCD with a rated residual current of 30mA or less is always recommended.**

Personal safety

11. **Stay alert, watch what you are doing and use common sense when operating a power tool. Do not use a power tool while you are tired or under the influence of drugs, alcohol or medication.** A moment of inattention while operating power tools may result in serious personal injury.
12. **Use personal protective equipment. Always wear eye protection.** Protective equipment such as dust mask, non-skid safety shoes, hard hat, or hearing protection used for appropriate conditions will reduce personal injuries.
13. **Prevent unintentional starting. Ensure the switch is in the off-position before connecting to power source and/or battery pack, picking up or carrying the tool.** Carrying power tools with your finger on the switch or energising power tools that have the switch on invites accidents.
14. **Remove any adjusting key or wrench before turning the power tool on.** A wrench or a key left attached to a rotating part of the power tool may result in personal injury.
15. **Do not overreach. Keep proper footing and balance at all times.** This enables better control of the power tool in unexpected situations.
16. **Dress properly. Do not wear loose clothing or jewellery. Keep your hair, clothing, and gloves away from moving parts.** Loose clothes, jewellery or long hair can be caught in moving parts.
17. **If devices are provided for the connection of dust extraction and collection facilities, ensure these are connected and properly used.** Use of dust collection can reduce dust-related hazards.

Power tool use and care

18. **Do not force the power tool. Use the correct power tool for your application.** The correct power tool will do the job better and safer at the rate for which it was designed.
19. **Do not use the power tool if the switch does not turn it on and off.** Any power tool that cannot be controlled with the switch is dangerous and must be repaired.
20. **Disconnect the plug from the power source and/or the battery pack from the power tool before making any adjustments, changing accessories, or storing power tools.** Such preventive safety measures reduce the risk of starting the power tool accidentally.
21. **Store idle power tools out of the reach of children and do not allow persons unfamiliar with the power tool or these instructions to operate the power tool.** Power tools are dangerous in the hands of untrained users.
22. **Maintain power tools. Check for misalignment or binding of moving parts, breakage of parts and any other condition that may affect the power**

tool's operation. If damaged, have the power tool repaired before use. Many accidents are caused by poorly maintained power tools.

23. **Keep cutting tools sharp and clean.** Properly maintained cutting tools with sharp cutting edges are less likely to bind and are easier to control.
24. **Use the power tool, accessories and tool bits etc. in accordance with these instructions, taking into account the working conditions and the work to be performed.** Use of the power tool for operations different from those intended could result in a hazardous situation.

Service

25. **Have your power tool serviced by a qualified repair person using only identical replacement parts.** This will ensure that the safety of the power tool is maintained.
26. **Follow instruction for lubricating and changing accessories.**
27. **Keep handles dry, clean and free from oil and grease.**

GEB004-6

HAMMER SAFETY WARNINGS

1. **Wear ear protectors.** Exposure to noise can cause hearing loss.
2. **Use auxiliary handle(s), if supplied with the tool.** Loss of control can cause personal injury.
3. **Hold power tool by insulated gripping surfaces, when performing an operation where the cutting accessory may contact hidden wiring or its own cord.** Cutting accessory contacting a "live" wire may make exposed metal parts of the power tool "live" and could give the operator an electric shock.
4. **Wear a hard hat (safety helmet), safety glasses and/or face shield. Ordinary eye or sun glasses are NOT safety glasses.** It is also highly recommended that you wear a dust mask and thickly padded gloves.
5. **Be sure the bit is secured in place before operation.**
6. **Under normal operation, the tool is designed to produce vibration. The screws can come loose easily, causing a breakdown or accident. Check tightness of screws carefully before operation.**
7. **In cold weather or when the tool has not been used for a long time, let the tool warm up for a while by operating it under no load. This will loosen up the lubrication. Without proper warm-up, hammering operation is difficult.**
8. **Always be sure you have a firm footing. Be sure no one is below when using the tool in high locations.**
9. **Hold the tool firmly with both hands.**
10. **Keep hands away from moving parts.**
11. **Do not leave the tool running. Operate the tool only when hand-held.**
12. **Do not point the tool at any one in the area when operating. The bit could fly out and injure someone seriously.**
13. **Do not touch the bit or parts close to the bit immediately after operation; they may be extremely hot and could burn your skin.**

14. Do not operate the tool at no-load unnecessarily.
15. Some material contains chemicals which may be toxic. Take caution to prevent dust inhalation and skin contact. Follow material supplier safety data.

SAVE THESE INSTRUCTIONS.

⚠ CAUTION:

DO NOT let comfort or familiarity with product (gained from repeated use) replace strict adherence to safety rules for the subject product.

MISUSE or failure to follow the safety rules stated in this instruction manual may cause serious personal injury.

FUNCTIONAL DESCRIPTION

⚠ CAUTION:

- Always be sure that the tool is switched off and unplugged before adjusting or checking function on the tool.

Switch action (Fig. 1)

⚠ CAUTION:

- Before plugging in the tool, always check to see that the switch trigger actuates properly and returns to the "OFF" position when released.

To start the tool, simply pull the switch trigger. Tool speed is increased by increasing pressure on the switch trigger. Release the switch trigger to stop.

For continuous operation, pull the switch trigger and then push in the lock button.

To stop the tool from the locked position, pull the switch trigger fully, then release it.

Speed change (Fig. 2)

The blows per minute can be adjusted just by turning the adjusting dial. This can be done even while the tool is running. The dial is marked 1 (lowest speed) to 5 (full speed).

Refer to the table below for the relationship between the number settings on the adjusting dial and the blows per minute.

Number on adjusting dial	Blows per minute
5	3,200
4	2,900
3	2,600
2	2,300
1	2,000

008531

⚠ CAUTION:

- The speed adjusting dial can be turned only as far as 5 and back to 1. Do not force it past 5 or 1, or the speed adjusting function may no longer work.

ASSEMBLY

⚠ CAUTION:

- Always be sure that the tool is switched off and unplugged before carrying out any work on the tool.

Installing or removing the bit

Clean the bit shank before installing the bit.

Insert the bit into the tool. Turn the bit and push it in until it engages. (Fig. 3)

If the bit cannot be pushed in, remove the bit. Pull the chuck cover down a couple of times. Then insert the bit again. Turn the bit and push it in until it engages. (Fig. 4) After installing, always make sure that the bit is securely held in place by trying to pull it out.

To remove the bit, pull the chuck cover down all the way and pull the bit out. (Fig. 5)

Bit angle (Fig. 6 & Fig. 7)

The bit can be secured at 12 different angles. To change the bit angle, slide the change ring forward, then turn the change ring to change the bit angle. At the desired angle, slide the change ring back to the original position. The bit will be secured in place.

Hook (Fig. 8)

When connecting the power supply cord to an extension cord, use the hook so that the plug of power supply cord cannot be disconnected from the connector of extension cord. Set it on the extension cord 10 cm - 20 cm away from the connector of the extension cord.

OPERATION

Position the bit at the location to be chipped, then pull the switch trigger. Apply slight pressure on the tool so that the tool will not bounce around, uncontrolled. Pressing very hard on the tool will not increase the efficiency. (Fig. 9)

NOTE:

- When removing tiles with a scaling chisel, apply the chisel to the bottom of tiles as shown in the figure. If you operate the tool with the chisel applied to the top surface of tiles, the service life of the chisel will be shortened. (Fig. 10)

MAINTENANCE

⚠ CAUTION:

- Always be sure that the tool is switched off and unplugged before attempting to perform inspection or maintenance.
- Never use gasoline, benzene, thinner, alcohol or the like. Discoloration, deformation or cracks may result.

To maintain product SAFETY and RELIABILITY, repairs, carbon brush inspection and replacement, any other maintenance or adjustment should be performed by Makita Authorized Service Centers, always using Makita replacement parts.

OPTIONAL ACCESSORIES

⚠ CAUTION:

- These accessories or attachments are recommended for use with your Makita tool specified in this manual. The use of any other accessories or attachments might present a risk of injury to persons. Only use accessory or attachment for its stated purpose.

If you need any assistance for more details regarding these accessories, ask your local Makita Service Center.

- Bull point
- Cold chisel
- Scaling chisel
- Bit grease
- Safety goggles
- Hammer grease
- Hook

NOTE:

- Some items in the list may be included in the tool package as standard accessories. They may differ from country to country.

Penjelasan tampilan keseluruhan

- | | | |
|--------------------|-----------------------|-------------------|
| 1. Tombol kunci | 5. Tutup cekam | 9. Kabel ekstensi |
| 2. Saklar pemicu | 6. Cincin pengubah | 10. Pahat tumbuk |
| 3. saklar penyetal | 7. Kait | 11. Ubin |
| 4. Mata mesin | 8. Kabel pasokan daya | |

SPESIFIKASI

Model	HK1820
Hembusan per menit (min ⁻¹)	0 - 3.200
Panjang keseluruhan	351 mm
Berat bersih	3,4 kg
Kelas keamanan	□/II

- Karena kesinambungan program penelitian dan pengembangan kami, spesifikasi yang disebutkan di sini dapat berubah tanpa pemberitahuan.
- Spesifikasi dapat berbeda dari satu negara ke negara lainnya.
- Berat menurut Prosedur EPTA 01/2003

END201-5

Simbol

Berikut ini adalah simbol-simbol yang digunakan pada peralatan ini. Pastikan Anda mengerti makna masing-masing simbol sebelum menggunakan alat.



..... Baca petunjuk penggunaan.



..... ISOLASI GANDA

ENE047-1

Penggunaan

Mesin ini digunakan untuk memahat beton, batu bata dan batu serta untuk memasang dan memadatkan dengan aksesoris yang sesuai .

ENF002-1

Pasokan daya

Mesin harus terhubung dengan pasokan daya listrik yang bervoltase sama dengan yang tertera pada pelat nama, dan hanya dapat dijalankan dengan listrik AC fase tunggal. Mesin diisolasi ganda sesuai Standard Eropa dan oleh sebab itu dapat dihubungkan dengan soket tanpa arde.

GEA005-3

Peringatan Keselamatan Umum Mesin Listrik

⚠ PERINGATAN! Bacalah semua peringatan keselamatan dan semua petunjuk. Kelalaian mematuhi peringatan dan petunjuk dapat menyebabkan sengatan listrik, kebakaran dan/atau cedera serius.

Simpanlah semua peringatan dan petunjuk untuk acuan di masa depan.

Istilah "mesin listrik" dalam semua peringatan mengacu pada mesin listrik yang dijalankan dengan sumber listrik jala-jala (berkabel) atau baterai (tanpa kabel).

Keselamatan tempat kerja

1. **Jaga tempat kerja selalu bersih dan berpenerangan cukup.** Tempat kerja yang berantakan dan gelap mengundang kecelakaan.
2. **Jangan gunakan mesin listrik dalam lingkungan yang mudah meledak, misalnya jika ada cairan, gas, atau debu yang mudah menyala.** Mesin listrik menimbulkan bunga api yang dapat menyalakan debu atau uap tersebut.
3. **Jauhkan anak-anak dan orang lain saat menggunakan mesin listrik.** Bila perhatian terpecah, anda dapat kehilangan kendali.

Keamanan kelistrikan

4. **Steker mesin listrik harus cocok dengan stopkontak. Jangan sekali-kali mengubah steker dengan cara apa pun. Jangan menggunakan steker adaptor dengan mesin listrik berarde (dibumikan).** Steker yang tidak diubah dan stopkontak yang cocok akan mengurangi risiko sengatan listrik.
5. **Hindari sentuhan tubuh dengan permukaan berarde atau yang dibumikan seperti pipa, radiator, kompor, dan kulkas.** Risiko sengatan listrik bertambah jika tubuh Anda terbumikan atau terarde.
6. **Jangan membiarkan mesin listrik kehujanan atau kebasahan.** Air yang masuk ke dalam mesin listrik akan meningkatkan risiko sengatan listrik.

7. **Jangan menyalahgunakan kabel.** Jangan sekali-kali menggunakan kabel untuk membawa, menarik, atau mencabut mesin listrik dari stopkontak. Jauhkan kabel dari panas, minyak, tepian tajam, atau bagian yang bergerak. Kabel yang rusak atau kusut memperbesar risiko sengatan listrik.
8. **Bila menggunakan mesin listrik di luar ruangan, gunakan kabel ekstensi yang sesuai untuk penggunaan di luar ruangan.** Penggunaan kabel yang sesuai untuk penggunaan luar ruangan mengurangi risiko sengatan listrik.
9. **Jika mengoperasikan mesin listrik di lokasi lembap tidak terhindarkan, gunakan pasokan daya yang dilindungi peranti imbasan arus (residual current device - RCD).** Penggunaan RCD mengurangi risiko sengatan listrik.
10. **Penggunaan pasokan daya melalui RCD dengan kapasitas arus sisa 30 mA atau kurang selalu dianjurkan.**

Keselamatan diri

11. **Jaga kewaspadaan, perhatikan pekerjaan Anda dan gunakan akal sehat bila menggunakan mesin listrik.** Jangan menggunakan mesin listrik saat Anda lelah atau di bawah pengaruh obat bius, alkohol, atau obat. Sekejap saja lalai saat menggunakan mesin listrik dapat menyebabkan cedera diri yang serius.
12. **Gunakan alat pelindung diri. Selalu gunakan pelindung mata.** Peralatan pelindung seperti masker debu, sepatu pengaman anti-selip, helm pengaman, atau pelindung telinga yang digunakan untuk kondisi yang sesuai akan mengurangi risiko cedera diri.
13. **Cegah penyalakan yang tidak disengaja. Pastikan bahwa sakelar berada dalam posisi mati (off) sebelum menghubungkan mesin ke sumber daya dan/atau baterai, atau mengangkat atau membawanya.** Membawa mesin listrik dengan jari Anda pada sakelarnya atau mengalirkan listrik pada mesin listrik yang sakelarnya hidup (on) akan mengundang kecelakaan.
14. **Lepaskan kunci-kunci penyetel sebelum menghidupkan mesin listrik.** Kunci-kunci yang masih terpasang pada bagian mesin listrik yang berputar dapat menyebabkan cedera.
15. **Jangan meraih terlalu jauh. Jagalah pijakan dan keseimbangan sepanjang waktu.** Hal ini memungkinkan kendali yang lebih baik atas mesin listrik dalam situasi yang tidak diharapkan.
16. **Kenakan pakaian dengan baik. Jangan memakai pakaian yang kedodoran atau perhiasan. Jaga jarak antara rambut, pakaian, dan sarung tangan Anda dengan bagian mesin yang bergerak.** Pakaian kedodoran, perhiasan, atau rambut panjang dapat tersangkut pada bagian yang bergerak.
17. **Jika tersedia fasilitas untuk menghisap dan mengumpulkan debu, pastikan fasilitas tersebut terhubung listrik dan digunakan dengan baik.** Penggunaan pembersih debu dapat mengurangi bahaya yang terkait dengan debu.

Penggunaan dan pemeliharaan mesin listrik

18. **Jangan memaksa mesin listrik. Gunakan mesin listrik yang tepat untuk keperluan Anda.** Mesin listrik yang tepat akan menuntaskan pekerjaan dengan lebih baik dan aman pada kecepatan sesuai rancangannya.
19. **Jangan gunakan mesin listrik jika sakelar tidak dapat menyalakan dan mematikannya.** Mesin listrik yang tidak dapat dikendalikan dengan sakelarnya adalah berbahaya dan harus diperbaiki.
20. **Cabut steker dari sumber listrik dan/atau baterai dari mesin listrik sebelum melakukan penyetelan, penggantian aksesoris, atau menyimpan mesin listrik.** Langkah keselamatan preventif tersebut mengurangi risiko hidupnya mesin secara tak sengaja.
21. **Simpan mesin listrik jauh dari jangkauan anak-anak dan jangan biarkan orang yang tidak paham mengenai mesin listrik tersebut atau petunjuk ini menggunakan mesin listrik.** Mesin listrik sangat berbahaya di tangan pengguna yang tak terlatih.
22. **Rawatlah mesin listrik. Periksa apakah ada bagian bergerak yang tidak lurus atau macet, bagian yang pecah dan kondisi lain yang dapat mempengaruhi penggunaan mesin listrik. Jika rusak, perbaiki dahulu mesin listrik sebelum digunakan.** Banyak kecelakaan disebabkan oleh kurangnya pemeliharaan mesin listrik.
23. **Jaga agar mesin pemotong tetap tajam dan bersih.** Mesin pemotong yang terawat baik dengan mata pemotong yang tajam tidak mudah macet dan lebih mudah dikendalikan.
24. **Gunakan mesin listrik, aksesoris, dan mata mesin, dll. sesuai dengan petunjuk ini, dengan memperhitungkan kondisi kerja dan jenis pekerjaan yang dilakukan.** Penggunaan mesin listrik untuk penggunaan yang lain dari peruntukan dapat menimbulkan situasi berbahaya.

Servis

25. **Berikan mesin listrik untuk diperbaiki hanya kepada oleh teknisi yang berkualifikasi dengan menggunakan hanya suku cadang pengganti yang serupa.** Hal ini akan menjamin terjaganya keamanan mesin listrik.
26. **Patuhi petunjuk pelumasan dan penggantian aksesoris.**
27. **Jagalah agar gagang kering, bersih, dan bebas dari minyak dan gemuk.**

GEB004-6

PERINGATAN KESELAMATAN MESIN BOBOK

1. **Kenakan pelindung telinga.** Terpaan kebisingan dapat menyebabkan hilangnya pendengaran.
2. **Gunakan gagang tambahan, jika disertakan bersama mesin ini.** Kehilangan kendali dapat menyebabkan cedera.

3. Pegang mesin listrik pada permukaan genggam yang terisolasi saat melakukan pekerjaan bila mesin pemotong mungkin bersentuhan dengan kawat tersembunyi atau kabelnya sendiri. Pengencang yang menyentuh kawat "hidup" dapat menyebabkan bagian logam pada mesin teraliri arus listrik dan menyengat pengguna.
4. Kenakan helm pengaman, kaca mata pengaman dan/atau pelindung muka. Kaca mata biasa atau kaca mata hitam BUKANLAH kaca mata pengaman. Anda sangat dianjurkan untuk mengenakan masker debu dan sarung tangan tebal.
5. Pastikan mata mesin terpasang pada tempatnya sebelum penggunaan.
6. Pada penggunaan normal, mesin dirancang untuk menghasilkan getaran. Sekrup bisa menjadi longgar dengan mudah, menyebabkan kerusakan atau kecelakaan. Periksa kekencangan sekrup sebelum penggunaan.
7. Pada cuaca dingin atau ketika mesin telah lama tidak digunakan, lakukan pemanasan pada mesin beberapa saat dengan mengoperasikannya tanpa beban. Hal ini akan memperlancar pelumasan. Tanpa pemanasan yang tepat, pengerjaan pembobokan menjadi sulit.
8. Selalu pastikan Anda berada di atas alas yang kuat. Pastikan tidak ada orang di bawahnya bila Anda menggunakan mesin di tempat yang tinggi.
9. Pegang mesin kuat-kuat dengan kedua tangan.
10. Jauhkan tangan dari bagian yang berputar.
11. Jangan tinggalkan mesin dalam keadaan hidup. Jalankan mesin hanya ketika digenggam tangan.
12. Jangan mengarahkan mesin pada siapapun di tempat kerja ketika mengoperasikan. Mata mesin bisa terlempar dan melukai orang dengan serius.
13. Jangan menyentuh mata mesin atau benda kerja segera setelah pengoperasian; suhunya mungkin masih sangat panas dan dapat membakar kulit Anda.
14. Jangan mengoperasikan mesin tanpa beban dengan tanpa keperluan.
15. Bahan tertentu mengandung zat kimia yang mungkin beracun. Hindari menghirup debu dan persentuhan dengan kulit. Ikuti data keselamatan bahan dari pemasok.

SIMPAN PETUNJUK INI.

⚠ PERINGATAN:
JANGAN biarkan kenyamanan atau terbiasanya Anda dengan produk (karena penggunaan berulang) menggantikan kepatuhan yang ketat terhadap aturan keselamatan untuk produk yang terkait.
PENYALAHGUNAAN atau kelalaian mematuhi kaidah keselamatan yang tertera dalam petunjuk ini dapat menyebabkan cedera badan serius.

DESKRIPSI FUNGSI

⚠ PERHATIAN:

- Selalu pastikan bahwa mesin dalam keadaan mati dan steker tercabut sebelum melakukan pemeriksaan kerja mesin.

Kerja saklar (Gb. 1)

⚠ PERHATIAN:

- Sebelum memasukkan steker, selalu periksa apakah picu saklar berfungsi dengan baik dan kembali ke posisi "OFF" saat dilepas.

Untuk menjalankan mesin, cukup tarik picu saklarnya. Kecepatan mesin akan meningkat dengan menambah tekanan pada picu saklar. Lepaskan picu saklar untuk berhenti.

Untuk penggunaan terus menerus, tarik picu saklar lalu tekan tombol kunci.

Untuk membebaskan posisi terkunci, tarik picu saklar sampai penuh, lalu lepaskan.

Perubahan kecepatan (Gb. 2)

Hembusan per menit bisa disetel hanya dengan memutar saklar penyetal. Hal ini dapat dilakukan bahkan ketika mesin sedang bekerja. Saklar diberi tanda 1 (kecepatan terendah) sampai 5 (kecepatan penuh).

Silakan mengacu pada tabel di bawah ini untuk hubungan antara setelan angka pada saklar penyetal dan hembusan per menit.

Angka pada saklar penyetal	Hembusan per menit
5	3.200
4	2.900
3	2.600
2	2.300
1	2.000

008531

⚠ PERHATIAN:

- Saklar penyetal kecepatan dapat diputar hanya sampai 5 dan kembali ke 1. Jangan dipaksa melewati 5 atau 1, atau penyetal kecepatan bisa tidak berfungsi lagi.

PERAKITAN

⚠ PERHATIAN:

- Selalu pastikan bahwa mesin dalam keadaan mati dan steker tercabut sebelum melakukan pekerjaan apapun pada mesin.

Memasang atau melepas mata mesin

Bersihkan kepala tirus sebelum memasang mata mesin. Masukkan mata mesin ke dalam mesin. Putar mata mesin dan dorong sampai terpasang. (Gb. 3)

Jika mata mesin tidak bisa didorong, lepas mata mesin. Tarik tutup cekam beberapa kali. Kemudian masukkan lagi mata mesin. Putar mata mesin dan dorong sampai terpasang. (Gb. 4)

Setelah memasang, selalu pastikan bahwa mata mesin benar-benar terpasang pada tempatnya dengan mencoba menariknya keluar.

Untuk melepas mata mesin, tarik tutup cekam sepenuhnya dan tarik mata mesin keluar. (Gb. 5)

Sudut mata mesin (Gb. 6 & Gb. 7)

Mata mesin bisa dipasang pada 12 sudut yang berbeda. Untuk mengubah sudut, geser maju cincin pengubah, kemudian putar cincin pengubah untuk mengubah sudut mata mesin. Pada sudut yang diinginkan, geser kembali cincin pengubah ke posisi semula. Mata mesin akan terpasang pada tempatnya.

Kait (Gb. 8)

Saat menghubungkan kabel pasokan daya ke kabel ekstensi, gunakan kait sehingga steker kabel pasokan daya tidak bisa terlepas dari konektor kabel ekstensi. Pasang pada kabel ekstensi dengan jarak 10 cm - 20 cm dari konektor kabel ekstensi.

PENGGUNAAN

Posisikan mata mesin pada lokasi yang akan diserpih, kemudian tarik picu saklarnya. Beri sedikit tekanan pada mesin sehingga mesin tidak akan memantul, tidak terkendali. Terlalu menekan mesin tidak akan meningkatkan efisiensinya. (Gb. 9)

CATATAN:

- Saat melepas ubin menggunakan pahat tumbuk, tekan pahat pada bagian bawah ubin seperti ditunjukkan pada gambar. Jika Anda mengoperasikan mesin dengan kondisi pahat ditekan pada permukaan atas ubin, umur pakai pahat akan menjadi lebih pendek. (Gb. 10)

PERAWATAN

⚠ PERHATIAN:

- Selalu pastikan bahwa mesin dimatikan dan steker dicabut sebelum melakukan pemeriksaan atau perawatan.
- Jangan sekali-kali menggunakan bensin, tiner, alkohol, atau bahan sejenisnya. Penggunaan bahan demikian dapat menyebabkan perubahan warna, perubahan bentuk atau timbulnya retakan.

Untuk menjaga KEAMANAN dan KEANDALAN mesin, perbaikan, pemeriksaan dan penggantian sikat karbon, serta perawatan atau penyetulan lain harus dilakukan oleh Pusat Layanan Resmi Makita, selalu gunakan suku cadang pengganti buatan Makita.

PILIHAN AKSESORI

⚠ PERHATIAN:

- Dianjurkan untuk menggunakan aksesori atau perangkat tambahan ini dengan mesin Makita Anda yang ditentukan dalam petunjuk ini. Penggunaan aksesori atau perangkat tambahan lain bisa menyebabkan risiko cedera pada manusia. Hanya gunakan aksesori atau perangkat tambahan sesuai dengan peruntukannya.

Jika Anda memerlukan bantuan lebih rinci berkenaan dengan aksesori ini, tanyakan pada Pusat Layanan Makita terdekat.

- Pahat beton
- Pahat besi
- Pahat tumbuk
- Gemuk mata mesin

- Kaca mata pelindung
- Gemuk mesin bor getar
- Kait

CATATAN:

- Beberapa item dalam daftar tersebut mungkin sudah termasuk dalam paket mesin sebagai aksesori standar. Hal tersebut dapat berbeda dari satu negara ke negara lainnya.

Giải thích về hình vẽ tổng thể

- | | | |
|---------------------------|-----------------------|----------------------|
| 1. Nút khóa | 5. Nắp ngàm | 9. Dây điện nối dài |
| 2. Cần khởi động công tắc | 6. Vòng chỉnh | 10. Mũi đục đánh vảy |
| 3. Đĩa điều chỉnh | 7. Móc treo | 11. Gạch |
| 4. Mũi vít | 8. Dây cáp điện nguồn | |

THÔNG SỐ KỸ THUẬT

Kiểu	HK1820
Số nhát mỗi phút (phút ⁻¹)	0 - 3.200
Chiều dài tổng thể	351 mm
Trọng lượng tịnh	3,4 kg
Cấp độ an toàn	□/II

- Do chương trình nghiên cứu và phát triển liên tục của chúng tôi nên các thông số kỹ thuật trong đây có thể thay đổi mà không cần thông báo trước.
- Các thông số kỹ thuật có thể thay đổi tùy theo từng quốc gia.
- Trọng lượng tùy theo Quy trình EPTA tháng 01/2003

END201-5

Ký hiệu

Phần dưới đây cho biết các ký hiệu được dùng cho thiết bị. Đảm bảo rằng bạn hiểu rõ ý nghĩa của các ký hiệu này trước khi sử dụng.



..... Đọc tài liệu hướng dẫn.



..... CÁCH ĐIỆN KÉP

ENE047-1

Mục đích sử dụng

Dụng cụ được dùng cho công tác khoan đục vào bê-tông, gạch đá cứng như dùng để đóng và đảm nện với các phụ kiện phù hợp.

ENF002-1

Nguồn cấp điện

Dụng cụ này chỉ được nối với nguồn cấp điện có điện áp giống như đã chỉ ra trên biển tên và chỉ có thể được vận hành trên nguồn điện AC mt pha. Chúng được cách điện hai lớp theo Tiêu chuẩn Châu Âu và do đó cũng có thể được sử dụng từ các ổ cắm điện không có dây tiếp đất.

GEA005-3

Cảnh báo An toàn Chung dành cho Dụng cụ Máy

⚠ CẢNH BÁO! Đọc tất cả các cảnh báo an toàn và hướng dẫn. Việc không tuân theo các cảnh báo và hướng dẫn có thể dẫn đến điện giật, hoá hoạn và/hoặc thương tích nghiêm trọng.

Lưu giữ tất cả cảnh báo và hướng dẫn để tham khảo sau này.

Thuật ngữ “dụng cụ máy” trong các cảnh báo đề cập đến dụng cụ máy (có dây) được vận hành bằng nguồn điện chính hoặc dụng cụ máy (không dây) được vận hành bằng pin của bạn.

An toàn tại nơi làm việc

1. **Giữ nơi làm việc sạch sẽ và có đủ ánh sáng.** Nơi làm việc bừa bộn hoặc tối thường dễ gây ra tai nạn.
2. **Không vận hành dụng cụ máy trong môi trường cháy nổ, ví dụ như môi trường có sự hiện diện của các chất lỏng, khí hoặc bụi dễ cháy.** Các dụng cụ máy tạo tia lửa điện có thể làm bụi hoặc khí bốc cháy.
3. **Giữ trẻ em và người ngoài tránh xa nơi làm việc khi đang vận hành dụng cụ máy.** Sự xao lãng có thể khiến bạn mất khả năng kiểm soát.

An toàn về điện

4. **Phích cắm của dụng cụ máy phải khớp với ổ cắm. Không bao giờ được sửa đổi phích cắm theo bất kỳ cách nào. Không sử dụng bất kỳ phích chuyển đổi nào với các dụng cụ máy được nối đất (tiếp đất).** Các phích cắm còn nguyên vẹn và ổ cắm phù hợp sẽ giảm nguy cơ điện giật.
5. **Tránh để cơ thể tiếp xúc với các bề mặt nối đất hoặc tiếp đất như đường ống, bộ tản nhiệt, bếp ga và tủ lạnh.** Nguy cơ bị điện giật sẽ tăng lên nếu cơ thể bạn được nối đất hoặc tiếp đất.
6. **Không để dụng cụ máy tiếp xúc với mưa hoặc trong điều kiện ẩm ướt.** Nước lọt vào dụng cụ máy sẽ làm tăng nguy cơ điện giật.
7. **Không lạm dụng dây. Không bao giờ sử dụng dây để mang, kéo hoặc tháo phích cắm dụng cụ máy. Giữ dây tránh xa nguồn nhiệt, dầu, các mép sắc hoặc các bộ phận chuyển động.** Dây bị hỏng hoặc bị rối sẽ làm tăng nguy cơ điện giật.

8. **Khi vận hành dụng cụ máy ngoài trời, hãy sử dụng dây kéo dài phù hợp cho việc sử dụng ngoài trời.** Việc dùng dây phù hợp cho việc sử dụng ngoài trời sẽ giảm nguy cơ điện giật.
9. **Nếu bất buộc phải vận hành dụng cụ máy ở nơi ẩm ướt, hãy sử dụng nguồn cấp điện được bảo vệ bằng thiết bị ngắt dòng điện rò (RCD).** Việc sử dụng RCD sẽ giảm nguy cơ điện giật.
10. **Chúng tôi luôn khuyến bạn sử dụng nguồn cấp điện qua thiết bị RCD có thể ngắt dòng điện dư định mức 30 mA hoặc thấp hơn.**

An toàn cá nhân

11. **Luôn tỉnh táo, quan sát những việc bạn đang làm và sử dụng những phán đoán theo kinh nghiệm khi vận hành dụng cụ máy. Không sử dụng dụng cụ máy khi bạn đang mệt mỏi hoặc chịu ảnh hưởng của ma túy, rượu hay thuốc.** Chỉ một khoảnh khắc không tập trung khi đang vận hành dụng cụ máy cũng có thể dẫn đến thương tích cá nhân nghiêm trọng.
12. **Sử dụng thiết bị bảo hộ cá nhân. Luôn đeo thiết bị bảo vệ mắt.** Các thiết bị bảo hộ như mặt nạ chống bụi, giày an toàn chống trượt, mũ bảo hộ hay thiết bị bảo vệ thính giác được sử dụng trong các điều kiện thích hợp sẽ giúp giảm thương tích cá nhân.
13. **Tránh vô tình khởi động dụng cụ máy. Đảm bảo công tắc ở vị trí off (tắt) trước khi nối nguồn điện và/hoặc bộ pin, cầm hoặc mang dụng cụ máy.** Việc mang dụng cụ máy khi đang đặt ngón tay ở vị trí công tắc hoặc cấp điện cho dụng cụ máy đang bật thường dễ gây ra tai nạn.
14. **Tháo mọi khoá hoặc chia vận điều chỉnh trước khi bật dụng cụ máy.** Việc chia vận hoặc khoá vẫn còn gắn vào bộ phận quay của dụng cụ máy có thể dẫn đến thương tích cá nhân.
15. **Không với quá cao. Luôn giữ thăng bằng tốt và có chỗ để chân phù hợp.** Điều này cho phép điều khiển dụng cụ máy tốt hơn trong những tình huống bất ngờ.
16. **Án mặc phù hợp. Không mặc quần áo rộng hay đeo đồ trang sức. Giữ tóc, quần áo và găng tay tránh xa các bộ phận chuyển động.** Quần áo rộng, đồ trang sức hay tóc dài có thể mắc vào các bộ phận chuyển động.
17. **Nếu các thiết bị được cung cấp để kết nối các thiết bị thu gom và hút bụi, hãy đảm bảo chúng được kết nối và sử dụng hợp lý.** Việc sử dụng thiết bị thu gom bụi có thể làm giảm những mối nguy hiểm liên quan đến bụi.

Sử dụng và bảo quản dụng cụ máy

18. **Không dùng lực đối với dụng cụ máy. Sử dụng đúng dụng cụ máy cho công việc của bạn.** Sử dụng đúng dụng cụ máy sẽ giúp thực hiện công việc tốt hơn và an toàn hơn theo giá trị định mức được thiết kế của dụng cụ máy đó.
19. **Không sử dụng dụng cụ máy nếu công tắc không bật và tắt được dụng cụ máy đó.** Mọi dụng cụ máy không thể điều khiển được bằng công tắc đều rất nguy hiểm và cần được sửa chữa.
20. **Rút phích cắm ra khỏi nguồn điện và/hoặc ngắt kết nối bộ pin khỏi dụng cụ máy trước khi thực hiện bất kỳ công việc điều chỉnh, thay đổi phụ tùng hay cắt giữ dụng cụ máy nào.** Những biện

- pháp an toàn phòng ngừa này sẽ giảm nguy cơ vô tình khởi động vô tình dụng cụ máy.
21. **Cắt giữ các dụng cụ máy không sử dụng ngoài tầm với của trẻ em và không cho bất kỳ người nào không có hiểu biết về dụng cụ máy hoặc các hướng dẫn này vận hành dụng cụ máy.** Dụng cụ máy sẽ rất nguy hiểm nếu được sử dụng bởi những người dùng chưa qua đào tạo.
 22. **Bảo quản dụng cụ máy. Kiểm tra tình trạng lệch trục hoặc bó kẹt của các bộ phận chuyển động, hiện tượng nứt vỡ của các bộ phận và mọi tình trạng khác mà có thể ảnh hưởng đến hoạt động của dụng cụ máy.** Nếu có hỏng hóc, hãy sửa chữa dụng cụ máy trước khi sử dụng. Nhiều tai nạn xảy ra là do không bảo quản tốt dụng cụ máy.
 23. **Luôn giữ cho dụng cụ cắt được sắc bén và sạch sẽ.** Những dụng cụ cắt được bảo quản tốt có mép cắt sắc sẽ ít bị kẹt hơn và dễ điều khiển hơn.
 24. **Sử dụng dụng cụ máy, phụ tùng và đầu dụng cụ cắt, v.v... theo các hướng dẫn này, có tính đến điều kiện làm việc và công việc được thực hiện.** Việc sử dụng dụng cụ máy cho các công việc khác với công việc dự định có thể gây nguy hiểm.

Bảo dưỡng

25. **Để nhân viên sửa chữa đủ trình độ bảo dưỡng dụng cụ máy của bạn và chỉ sử dụng các bộ phận thay thế đồng nhất.** Việc này sẽ đảm bảo duy trì được độ an toàn của dụng cụ máy.
26. **Tuân theo hướng dẫn dành cho việc bôi trơn và thay phụ tùng.**
27. **Giữ tay cầm khô, sạch, không dính dầu và mỡ.**

GEB004-6

CẢNH BÁO AN TOÀN VỀ BÚA

1. **Đeo thiết bị bảo vệ tai.** Việc để tai tiếp xúc với tiếng ồn có thể gây giảm thính lực.
2. **Sử dụng (các) tay cầm phụ, nếu được cung cấp cùng với dụng cụ.** Việc mất khả năng kiểm soát có thể dẫn đến thương tích cá nhân.
3. **Cầm dụng cụ máy bằng bề mặt kẹp cách điện khi thực hiện một thao tác trong đó bộ phận cắt có thể tiếp xúc với dây dẫn kín hoặc dây của chính nó.** Bộ phận cắt tiếp xúc với dây dẫn "có điện" có thể khiến các bộ phận kim loại bị hở của dụng cụ máy "có điện" và làm cho người vận hành bị điện giật.
4. **Mang mũ cứng (nón bảo hộ), đeo kính an toàn và/hoặc mang tấm bảo vệ mặt.** Các loại kính mắt hoặc kính râm thông thường KHÔNG phải là kính an toàn. Chúng tôi khuyến cáo bạn nên mang khẩu trang chống bụi và một đôi găng tay đệm dày.
5. **Đảm bảo rằng phần mũi được giữ chặt ở đúng vị trí trước khi vận hành.**
6. **Khi vận hành bình thường, dụng cụ được thiết kế có phát sinh ra rung động.** Các ốc vít có thể dễ dàng bị lỏng ra làm hỏng hoặc gây tai nạn. Kiểm tra độ chặt của các ốc vít trước khi bắt đầu vận hành.

- Ở thời tiết lạnh hoặc khi dụng cụ không được sử dụng trong thời gian dài, hãy để dụng cụ nóng lên một chút trước khi vận hành hoặc vận hành nó không tải. Điều này sẽ giúp dầu bôi trơn giãn ra. Nếu không làm nóng dụng cụ, thao tác đóng búa sẽ trở nên khó khăn.
- Luôn đảm bảo bạn có chỗ đặt chân vững chắc. Đảm bảo rằng không có ai ở bên dưới khi sử dụng dụng cụ ở trên cao.
- Cầm chắc dụng cụ bằng cả hai tay.
- Giữ tay tránh xa các bộ phận quay.
- Không để mặc dụng cụ hoạt động. Chỉ vận hành dụng cụ khi cầm trên tay.
- Không được chỉ dụng cụ về bất cứ ai trong khu vực đang hoạt động. Đầu mũi có thể bay ra và gây tổn thương nghiêm trọng cho người khác.
- Không được sờ vào phần đầu mũi hoặc các bộ phận gần đầu mũi ngay sau khi hoạt động xong; chúng có thể cực nóng và làm bỏng da bạn.
- Không được vận hành dụng cụ ở mức không tải không cần thiết.
- Một số vật liệu có thể chứa hoá chất độc. Hãy cẩn thận để tránh hít phải bụi và tiếp xúc với da. Tuân theo dữ liệu an toàn của nhà cung cấp vật liệu.

Số trên đĩa điều chỉnh	Số nhát mỗi phút
5	3.200
4	2.900
3	2.600
2	2.300
1	2.000

008531

⚠ CẢN TRỌNG:

- Đĩa điều chỉnh tốc độ chỉ có thể được xoay đến số 5 và trở về số 1. Không được cố xoay quá số 5 hoặc số 1, nếu không chức năng điều chỉnh tốc độ có thể sẽ không còn hoạt động được.

LẮP RÁP

⚠ CẢN TRỌNG:

- Luôn luôn đảm bảo rằng dụng cụ đã được tắt và tháo phích cắm trước khi dùng dụng cụ thực hiện bất cứ công việc nào.

Việc lắp đặt hoặc tháo gỡ đầu mũi

Vệ sinh thân đầu mũi trước khi lắp đầu mũi.

Lắp đầu mũi và dụng cụ. Xoay đầu mũi và nhấn vào cho đến khi nào vào khớp. **(Hình 3)**

Nếu không thể đẩy đầu mũi vào, hãy tháo đầu mũi ra. Kéo nắp ngàm xuống một vài lần. Sau đó lắp đầu mũi vào lại.

Xoay đầu mũi và nhấn vào cho đến khi nào vào khớp. **(Hình 4)**

Sau khi lắp, hãy luôn đảm bảo rằng đầu mũi đã được giữ chắc chắn đúng vị trí bằng cách thử kéo ra.

Để tháo đầu mũi, kéo nắp ngàm xuống hết mức và kéo đầu mũi ra. **(Hình 5)**

Góc đầu mũi (Hình 6 & Hình 7)

Đầu mũi có thể được giữ ở 12 góc nghiêng. Để thay đổi góc đầu mũi, hãy trượt vòng chuyển về phía trước, sau đó xoay vòng chuyển để thay đổi góc đầu mũi. Đến góc mong muốn, hãy trượt vòng chuyển về lại vị trí ban đầu. Đầu mũi sẽ được giữ chặt tại chỗ.

Móc treo (Hình 8)

Khi kết nối dây cáp điện nguồn vào một dây điện nối dài, hãy sử dụng móc treo sao cho phích cắm dây cáp điện nguồn không thể bị tuột ra khỏi đầu nối của dây điện nối dài. Hãy để móc treo lên dây điện nối dài cách đầu nối dây điện nối dài khoảng 10 cm - 20 cm.

VẬN HÀNH

Định vị đầu mũi vào vị trí sẽ được đục, sau đó kéo cần khởi động công tắc. Dùng lực nhẹ trên dụng cụ sao cho dụng cụ không bị nảy vòng tròn không kiểm soát được. Việc ấn rất mạnh lên dụng cụ sẽ không làm tăng hiệu quả sử dụng. **(Hình 9)**

LƯU Ý:

- Khi đục bỏ gạch bằng mũi đục đánh vảy, hãy đặt mũi đục vào đây các viên gạch như thể hiện trong hình. Nếu bạn vận hành dụng cụ với mũi đục đặt lên bề mặt trên cùng của các viên gạch thì tuổi thọ mũi đục sẽ bị rút ngắn. **(Hình 10)**

LƯU GIỮ CÁC HƯỚNG DẪN NÀY.

⚠ CẢN BÁO:

KHÔNG được để sự thoải mái hay quen thuộc với sản phẩm (có được do sử dụng nhiều lần) thay thế việc tuân thủ nghiêm ngặt các quy định về an toàn dành cho sản phẩm này.

VIỆC DÙNG SAI hoặc không tuân theo các quy định về an toàn được nêu trong tài liệu hướng dẫn này có thể dẫn đến thương tích cá nhân nghiêm trọng.

MÔ TẢ CHỨC NĂNG

⚠ CẢN TRỌNG:

- Phải luôn đảm bảo rằng dụng cụ đã được tắt điện và ngắt kết nối trước khi chỉnh sửa hoặc kiểm tra chức năng của dụng cụ.

Hoạt động công tắc (Hình 1)

⚠ CẢN TRỌNG:

- Trước khi cắm điện vào dụng cụ, luôn luôn kiểm tra xem cần khởi động công tắc có hoạt động bình thường hay không và trả về vị trí "OFF" (TẮT) khi nhả ra.

Để khởi động dụng cụ, chỉ cần kéo cần khởi động công tắc. Tốc độ dụng cụ được giảm xuống bằng cách tăng lực ép lên cần khởi động công tắc. Nhả cần khởi động công tắc ra để dừng.

Để tiếp tục vận hành, hãy kéo cần khởi động công tắc và sau đó nhấn vào nút khóa.

Để dừng dụng cụ từ vị trí đã khóa, hãy kéo cần khởi động công tắc hết mức, sau đó nhả ra.

Thay đổi tốc độ (Hình 2)

Số nhát mỗi phút có thể được điều chỉnh bằng cách xoay đĩa điều chỉnh. Có thể thực hiện việc này ngay cả khi dụng cụ đang hoạt động. Đĩa xoay được đánh dấu từ 1 (tốc độ thấp nhất) đến 5 (tốc độ cao nhất).

Tham khảo bảng dưới đây về mối liên quan giữa cài đặt theo số trên đĩa điều chỉnh và số nhát mỗi phút.

BẢO TRÌ

CẢN TRỌNG:

- Hãy luôn chắc chắn rằng dụng cụ đã được tắt và ngắt kết nối trước khi cố gắng thực hiện việc kiểm tra hay bảo dưỡng.
- Không bao giờ dùng xăng, ết xăng, dung môi, cồn hoặc hóa chất tương tự. Có thể xảy ra hiện tượng mất màu, biến dạng hoặc nứt vỡ.

Để đảm bảo AN TOÀN và TIN CẬY của sản phẩm, việc sửa chữa hoặc bất cứ thao tác bảo trì, điều chỉnh nào đều phải được thực hiện bởi các Trung tâm Dịch vụ Được Ủy quyền của Makita (Makita Authorized Service Center), luôn sử dụng các phụ tùng thiết bị thay thế của Makita.

PHỤ KIỆN TỰY CHỌN

CẢN TRỌNG:

- Các phụ kiện hoặc phụ tùng gắn thêm này được khuyến cáo sử dụng với dụng cụ Makita của bạn theo như quy định trong hướng dẫn này. Việc sử dụng bất cứ phụ kiện hoặc phụ tùng gắn thêm nào khác đều có thể gây ra rủi ro thương tích cho người. Chỉ sử dụng phụ kiện hoặc phụ tùng gắn thêm cho mục đích đã quy định sẵn của chúng.

Nếu bạn cần hỗ trợ để biết thêm chi tiết về những phụ kiện này, hãy liên hệ với Trung tâm Dịch vụ của Makita tại địa phương của bạn.

- Dầu đục
- Mũi đục nguội
- Mũi đục đánh vẩy
- Dầu tra đầu mũi
- Kính bảo hộ
- Mỡ tra búa
- Móc treo

LƯU Ý:

- Một vài mục trong danh sách có thể được bao gồm trong gói dụng cụ làm phụ kiện tiêu chuẩn. Các thông số kỹ thuật có thể thay đổi tùy theo từng quốc gia.

คำอธิบายของมุมมองทั่วไป

- | | | |
|------------------|------------------|--------------------|
| 1. ปุ่มลีด | 5. ผ่าครอบหัวจับ | 9. สายต่อ |
| 2. สวิตช์สั่งงาน | 6. แนวนเปลี่ยน | 10. ดอกสกัดแบนใหญ่ |
| 3. ปุ่มหมุนปรับ | 7. ขอเกี่ยว | 11. กระเบื้อง |
| 4. ดอกสกัด | 8. สายไฟ | |

ข้อมูลจำเพาะ

รุ่น	HK1820
อัตราการกระแทก (รอบต่อนาที)	0 - 3,200
ความยาวโดยรวม	351 มม.
น้ำหนักสุทธิ	3.4 กก.
มาตรฐานความปลอดภัย	□/II

- เนื่องจากมีการค้นคว้าวิจัยและพัฒนาอย่างต่อเนื่อง ข้อมูลจำเพาะในเอกสารฉบับนี้อาจเปลี่ยนแปลงได้โดยไม่ต้องแจ้งให้ทราบล่วงหน้า
- ข้อมูลจำเพาะอาจแตกต่างกันไปในแต่ละประเทศ
- น้ำหนักตามข้อบังคับของ EPTA 01/2003

END201-5

GEA005-3

สัญลักษณ์

ต่อไปนี้เป็นสัญลักษณ์ที่ใช้สำหรับอุปกรณ์โปรดศึกษาความหมายของสัญลักษณ์ให้เข้าใจก่อนการใช้งาน



..... อ่านคู่มือการใช้งาน



..... ฉนวนสองชั้น

จุดประสงค์ของเครื่องมือ

เครื่องมือนี้ใช้สำหรับงานเจาะสกัดคอนกรีต อิฐ หิน และยางมะตอยตลอดจนงานขั้วและการอัดแน่นโดยใช้อุปกรณ์เสริมที่เหมาะสม

ENE047-1

การจ่ายไฟ

ต้องเชื่อมต่อเครื่องมือกับเครื่องจ่ายไฟที่มีแรงเคลื่อนไฟฟ้าตามที่ระบุไว้ในป้ายข้อมูลเครื่องมือ และจะต้องใช้ไฟฟ้ากระแสสลับแบบเฟสเดียวเท่านั้น อุปกรณ์นี้ได้รับการหุ้มฉนวนสองชั้นตามมาตรฐาน European Standard และสามารถเข้ากับปลั๊กไฟที่ไม่มีสายดินได้

ENF002-1

คำเตือนด้านความปลอดภัยของเครื่องมือไฟฟ้าทั่วไป

⚠ คำเตือน! อ่านคำเตือนด้านความปลอดภัยและคำแนะนำทั้งหมด การไม่ปฏิบัติตามคำเตือนและคำแนะนำดังกล่าวอาจส่งผลให้เกิดไฟฟ้าช็อต ไฟไหม้ และ/หรือได้รับบาดเจ็บอย่างร้ายแรง

เก็บรักษาคำเตือนและคำแนะนำทั้งหมดไว้เป็นข้อมูลอ้างอิงในอนาคต

คำว่า "เครื่องมือไฟฟ้า" ในคำเตือนนี้ หมายถึง เครื่องมือไฟฟ้า (มีสาย) ที่ทำงานโดยใช้กระแสไฟฟ้า หรือเครื่องมือไฟฟ้า (ไร้สาย) ที่ทำงานโดยใช้แบตเตอรี่

ความปลอดภัยของพื้นที่ทำงาน

- ดูแลพื้นที่ทำงานให้มีความสะอาดและมีแสงไฟสว่าง พื้นที่กระเบื้องกระเบื้องหรือมีดที่บอบบางนำไปสู่การเกิดอุบัติเหตุได้
- อย่าใช้งานเครื่องมือไฟฟ้าในสภาพที่อาจเกิดการระเบิด เช่น ในสถานที่ที่มีของเหลว ก๊าซ หรือฝุ่นผงที่มีคุณสมบัติไวไฟ เครื่องมือไฟฟ้าจะสร้างประกายไฟเพื่อจุดชนวนฝุ่นผงหรือก๊าซดังกล่าว
- ดูแลไม่ให้มีเด็ก ๆ หรือบุคคลอื่นอยู่ในบริเวณที่กำลังใช้เครื่องมือไฟฟ้า การมีสิ่งรบกวนสมาธิอาจทำให้คุณสูญเสียการควบคุม

ความปลอดภัยด้านไฟฟ้า

- ปลั๊กของเครื่องมือไฟฟ้าต้องพอดีกับตัวรับ อย่าดัดแปลงปลั๊กไม่ว่ากรณีใดๆ อย่าใช้ปลั๊กอะแดปเตอร์กับเครื่องมือไฟฟ้าที่ต่อสายดิน ปลั๊กที่ไม่ถูกต้องและตัวรับไฟที่เข้ากันพอดีจะช่วยลดความเสี่ยงของการเกิดไฟฟ้าช็อต
- ระวังอย่าให้ร่างกายสัมผัสกับพื้นผิวที่ต่อสายดิน เช่น ท่อ เครื่องนำความร้อน เตาหุงต้ม และตู้เย็น มีความเสี่ยงที่จะเกิดไฟฟ้าช็อตสูงขึ้น หากร่างกายของคุณสัมผัสกับพื้น
- อย่าให้เครื่องมือไฟฟ้าถูกน้ำหรืออยู่ในสภาพเปียกชื้น น้ำที่ไหลเข้าไปในเครื่องมือไฟฟ้าจะเพิ่มความเสี่ยงของการเกิดไฟฟ้าช็อต
- อย่าใช้สายไฟอย่างไม่เหมาะสม อย่าใช้สายไฟเพื่อยก ดึง หรือ ถอดปลั๊กเครื่องมือไฟฟ้า เก็บสายไฟให้ห่างจากความร้อน น้ำมัน ของมีคม หรือชิ้นส่วนที่เคลื่อนที่ สายที่ชำรุดหรือพันกันจะเพิ่มความเสี่ยงของการเกิดไฟฟ้าช็อต
- ขณะที่ใช้งานเครื่องมือไฟฟ้านอกอาคาร ควรใช้สายต่อพ่วงที่เหมาะสมกับงานภายนอกอาคาร การใช้สายที่เหมาะสมกับงานภายนอกอาคารจะลดความเสี่ยงของการเกิดไฟฟ้าช็อต
- หากต้องใช้งานเครื่องมือไฟฟ้าในสถานที่เปียกชื้น ให้ใช้อุปกรณ์ป้องกันกระแสไฟรั่ว (RCD) การใช้ RCD จะลดความเสี่ยงของการเกิดไฟฟ้าช็อต
- ขอแนะนำให้ใช้แหล่งจ่ายไฟผ่าน RCD ที่มีกระแสไฟรั่วในอัตราไม่เกิน 30 mA เสมอ

ความปลอดภัยส่วนบุคคล

- ให้ระมัดระวัง และสังเกตเสมอว่าคุณกำลังทำอะไรอยู่ และใช้สามัญสำนึกในขณะที่ใช้งานเครื่องมือไฟฟ้า อย่าใช้งานเครื่องมือไฟฟ้าในขณะที่คุณกำลังเหนื่อย หรือในสภาพที่มีเมาน้ำจากยาเสพติด เครื่องดื่มแอลกอฮอล์ หรือการเข้ายา ช่วงเวลาที่ขาดความระมัดระวังเมื่อกำลังใช้งานเครื่องมือไฟฟ้าอาจทำให้คุณได้รับบาดเจ็บอย่างรุนแรง
- ใช้อุปกรณ์ป้องกันส่วนบุคคล สวมแว่นตาป้องกันเสมอ อุปกรณ์ป้องกัน เช่น หน้ากากกันฝุ่น รองเท้านิรภัยกันสั่น หมวกนิรภัย หรือเครื่องป้องกันการได้ยินที่ใช้ในสภาพที่เหมาะสมจะช่วยลดการบาดเจ็บ
- ป้องกันไม่ให้เปิดใช้งานอย่างไม่ตั้งใจ ตรวจสอบว่าสวิตช์อยู่ในตำแหน่งปิดก่อนเชื่อมต่อกับแหล่งจ่ายไฟ และ/หรือ ชุดแบตเตอรี่ หรือก่อนการยกหรือถือเครื่องมือ การสอดนิ้วมือบริเวณสวิตช์เพื่อถือเครื่องมือไฟฟ้า หรือการชาร์จไฟเครื่องมือไฟฟ้าในขณะที่เปิดสวิตช์อยู่อาจนำไปสู่การเกิดอุบัติเหตุ
- นำกฎเกณฑ์ปรับแต่งหรือประแจออกก่อนที่จะเปิดเครื่องมือไฟฟ้า ประแจหรือกฎเกณฑ์เสียบค้างอยู่ในชิ้นส่วนที่หมุนได้ของเครื่องมือไฟฟ้าอาจทำให้คุณได้รับบาดเจ็บ

- อย่าทำงานในระยะเวลาที่ล้นเอี่ยม จัดทำการยืนและการทรงตัวให้เหมาะสมตลอดเวลา เพราะจะทำให้ควบคุมเครื่องมือไฟฟ้าได้ดีขึ้นในสถานการณ์ที่ไม่คาดคิด
- แต่งกายให้เหมาะสม อย่าสวมเครื่องแต่งกายที่หลวมเกินไป หรือสวมเครื่องประดับ คุณไม่ควรใส่แว่นตา เลี้ยว และถุงมืออยู่ใกล้ชิ้นส่วนที่เคลื่อนที่ เลี้ยวผ้าคลุม เครื่องประดับ หรือผมที่มีความยาวอาจเข้าไปติดในชิ้นส่วนที่เคลื่อนที่
- หากมีการจัดอุปกรณ์สำหรับคุณและจัดเก็บฝุ่นไว้ในสถานที่ ให้ตรวจสอบว่าได้เชื่อมต่อและใช้งานอุปกรณ์นั้นอย่างเหมาะสม การใช้เครื่องดูดและจัดเก็บฝุ่นจะช่วยลดอันตรายที่เกิดจากฝุ่นผงได้

การใช้และดูแลเครื่องมือไฟฟ้า

- อย่าฝืนใช้เครื่องมือไฟฟ้า ใช้เครื่องมือไฟฟ้าที่เหมาะสมกับการใช้งานของคุณ เครื่องมือไฟฟ้าที่เหมาะสมจะทำงานให้ได้ดีที่มีประสิทธิภาพและปลอดภัยกว่าตามขีดความสามารถของเครื่องที่ได้รับการออกแบบมา
- อย่าใช้เครื่องมือไฟฟ้า หากสวิตช์ไม่สามารถเปิดปิดได้ เครื่องมือไฟฟ้าที่ควบคุมด้วยสวิตช์ไม่ได้เป็นอันตรายและต้องได้รับการซ่อมแซม
- ถอดปลั๊กจากแหล่งจ่ายไฟ และ/หรือชุดแบตเตอรี่ออกจากเครื่องมือไฟฟ้าก่อนทำการปรับแต่ง เปลี่ยนอุปกรณ์เสริม หรือจัดเก็บเครื่องมือไฟฟ้า วิธีการป้องกันด้านความปลอดภัยดังกล่าวจะช่วยลดความเสี่ยงของการเปิดใช้งานเครื่องมือไฟฟ้าอย่างไม่ตั้งใจ
- จัดเก็บเครื่องมือไฟฟ้าที่ไม่ได้ใช้งานให้ห่างจากมือเด็ก และอย่าอนุญาตให้บุคคลที่ไม่คุ้นเคยกับเครื่องมือไฟฟ้า หรือคำแนะนำเหล่านี้ใช้งานเครื่องมือไฟฟ้า เครื่องมือไฟฟ้าจะเป็นอันตรายเมื่ออยู่ในมือของผู้ที่ไม่ได้รับการฝึกอบรม
- การดูแลรักษาเครื่องมือไฟฟ้า ตรวจสอบการประกอบที่ไม่ถูกต้องหรือการเชื่อมต่อของชิ้นส่วนที่เคลื่อนที่ การแตกหักของชิ้นส่วน หรือสภาพอื่นๆ ที่อาจส่งผลกระทบต่อการทำงานของเครื่องมือไฟฟ้า หากมีความเสียหายให้นำเครื่องมือไฟฟ้าไปซ่อมแซมก่อนการใช้งาน อุบัติเหตุจำนวนมากเกิดจากการดูแลรักษาเครื่องมือไฟฟ้าอย่างไม่ถูกต้อง
- ล้างความคมและทำความสะอาดเครื่องมือการตัดอยู่เสมอ เครื่องมือการตัดที่มีการดูแลอย่างถูกต้องและมีขอบการตัดคมมักจะมีปัญหาติดขัดน้อยและควบคุมได้ง่ายกว่า
- ใช้เครื่องมือไฟฟ้า อุปกรณ์เสริม และวัสดุสิ้นเปลือง ฯลฯ ตามคำแนะนำดังกล่าว พิจารณาสภาพการทำงานและงานที่จะลงมือทำ การใช้เครื่องมือไฟฟ้าเพื่อทำงานอื่นนอกเหนือจากที่กำหนดไว้อาจทำให้เกิดอันตราย

การบริการ

- นำเครื่องมือไฟฟ้าเข้ารับบริการจากช่างซ่อมที่ผ่านการรับรองโดยใช้อะไหล่แบบเดียวกันเท่านั้น เพราะจะทำให้การใช้เครื่องมือไฟฟ้ามีความปลอดภัย
- ปฏิบัติตามคำแนะนำในการหล่อลื่นและการเปลี่ยนอุปกรณ์เสริม
- ดูแลมือจับให้แห้ง สะอาด และไม่มันมันและจาระบีเปื้อน

GEB004-6

คำเตือนด้านความปลอดภัยของเครื่องเจาะสกัด

- สวมใส่อุปกรณ์ป้องกันเสียง เสียงที่ดังเกินขนาดอาจทำให้สูญเสียการได้ยิน
- ใช้มือจับเสริม ถ้ามีมากับเครื่อง การสูญเสียความควบคุมอาจทำให้เกิดการบาดเจ็บ
- ถือเครื่องมือบริเวณมือจับที่เป็นฉนวน ขณะทำงานที่เครื่องมือตัดอาจสัมผัสกับสายไฟที่ซ่อนอยู่หรือสายไฟของเครื่องเอง เครื่องมือตัดที่สัมผัสกับสายไฟที่ “มีกระแสไฟฟ้าไหลผ่าน” อาจทำให้ส่วนที่เป็นโลหะของเครื่องมือไฟฟ้าที่ไม่มีฉนวนหุ้ม “มีกระแสไฟฟ้าไหลผ่าน” และทำให้ผู้ปฏิบัติงานถูกไฟฟ้าช็อตได้
- สวมหมวกแข็ง (หมวกนิรภัย) แว่นนิรภัย และ/หรือ หน้ากากป้องกัน แว่นตาดำกบหรือแว่นกันแดดไม่ใช่แว่นนิรภัย และขอแนะนำอย่างยิ่งให้สวมหน้ากากกันฝุ่นและถุงมือหนาๆ
- ตรวจสอบให้แน่ใจว่าดอกสว่านยึดแน่นเข้าที่ดีแล้วก่อนการใช้งาน
- ภายใต้การทำงานปกติ เครื่องมือได้รับการออกแบบมาเพื่อสร้างแรงสั่นสะเทือน ดังนั้น สกรูต่างๆ จะหลวมได้ง่าย ซึ่งอาจทำให้เครื่องเสียหายหรือเกิดอุบัติเหตุ ตรวจสอบให้แน่ใจว่าขันสกรูแน่นดีแล้วก่อนการใช้งาน
- ในสภาพอากาศหนาวหรือเมื่อไม่มีการใช้เครื่องมือเป็นระยะเวลานาน ต้องอุ่นเครื่องมือสักครู่โดยการเปิดเครื่องทิ้งไว้เฉยๆ เพื่อให้มีการหล่อลื่น หากไม่มีการอุ่นเครื่องมืออย่างเหมาะสม การเจาะสกัดจะทำได้ยาก
- ตรวจสอบบริเวณที่ยืนให้มีความมั่นคงเสมอหากใช้งานเครื่องมือในพื้นที่สูง ระวังอย่าให้มีคนอยู่ด้านล่าง
- จับเครื่องมือให้แน่นด้วยมือทั้งสองข้าง
- ระวังอย่าให้มือสัมผัสกับชิ้นส่วนที่เคลื่อนที่
- อย่าปล่อยให้เครื่องมือทำงานค้างไว้ ใช้งานเครื่องมือในขณะที่ถืออยู่เท่านั้น
- อย่าใช้เครื่องมือเข้าไปที่บุคคลใดในพื้นที่ทำงานขณะใช้งาน ดอกสว่านอาจหลุดออกและทำให้ได้รับบาดเจ็บร้ายแรงได้

- ห้ามสัมผัสกับดอกสว่านหรือชิ้นส่วนที่ใกล้กับดอกสว่านทันทีที่ทำงานเสร็จ เนื่องจากดอกสว่านหรือชิ้นส่วนอาจมีความร้อนสูงและลวกผิวหนังของคุณได้
- อย่าใช้เครื่องมือโดยเปิดเครื่องทิ้งไว้เฉยๆ โดยไม่จำเป็น
- วัสดุบางอย่างอาจมีสารเคมีที่เป็นพิษ ระวังอย่าสูดดมฝุ่นหรือให้สารเหล่านั้นสัมผัสกับร่างกาย ปฏิบัติตามข้อมูลด้านความปลอดภัยของผู้ผลิตวัสดุ

บันทึกคำแนะนำเหล่านี้

⚠ คำเตือน:

อย่าให้ความไม่ระมัดระวังหรือความคุ้นเคยกับผลิตภัณฑ์ (จากการใช้งานซ้ำหลายครั้ง) อยู่เหนือการปฏิบัติตามกฎเกณฑ์ด้านความปลอดภัยในการใช้งานผลิตภัณฑ์อย่างเคร่งครัด

การปฏิบัติอย่างไม่เหมาะสมหรือการไม่ปฏิบัติตามกฎเกณฑ์ด้านความปลอดภัยในคู่มือใช้งานนี้อาจก่อให้เกิดการบาดเจ็บอย่างรุนแรง

คำอธิบายการทำงาน

⚠ ข้อควรระวัง:

- ตรวจสอบให้แน่ใจว่าสวิทช์เครื่องมืออยู่ในตำแหน่งปิดเครื่อง และถอดปลั๊กเครื่องมือออกก่อนปรับตั้งหรือตรวจสอบการทำงานของเครื่องมือ

การทำงานของสวิทช์ (ภาพที่ 1)

⚠ ข้อควรระวัง:

- ก่อนเสียบปลั๊กเครื่องมือ ให้ตรวจสอบว่าสวิทช์สั่งงานสามารถทำงานได้อย่างถูกต้อง และกลับไปยังตำแหน่ง “OFF” เมื่อปล่อยเปิดใช้เครื่องมือโดยดึงสวิทช์สั่งงาน ความเร็วเครื่องมือจะเพิ่มขึ้นเมื่อออกแรงกดที่สวิทช์สั่งงาน ปล่อยสวิทช์สั่งงานเพื่อหยุดทำงาน ถ้าต้องการใช้งานอย่างต่อเนื่อง ดึงสวิทช์สั่งงานและกดปุ่มล๊อค ถ้าต้องการเลิกใช้งานเครื่องมือในตำแหน่งล๊อค ให้ดึงสวิทช์สั่งงานจนสุด จากนั้นปล่อยสวิทช์

การเปลี่ยนระดับความเร็ว (ภาพที่ 2)

อัตราเจาะกระแทกตอนที่สามารถปรับได้โดยการหมุนปุ่มหมุนปรับ ซึ่งสามารถทำได้ขณะที่เครื่องมือกำลังทำงานอยู่ ปุ่มหมุนปรับจะมีระดับ 1 (ความเร็วต่ำสุด) ถึง 5 (ความเร็วสูงสุด) โปรดดูความสัมพันธ์ระหว่างระดับที่ปุ่มหมุนปรับและอัตราการหมุนตอนที่

ตัวเลขบนปุ่มหมุนปรับ	อัตราเจาะกระแทกต่อนาที
5	3,200
4	2,900
3	2,600
2	2,300
1	2,000

008531

⚠ ข้อควรระวัง:

- ปุ่มหมุนปรับความเร็วสามารถหมุนไปจนถึงสุดท้ายที่หมายเลข 5 และหมุนกลับจนถึงหมายเลข 1 อย่างมีนัยหมายเลข 5 หรือ 1 ไม่เช่นนั้นฟังก์ชันการปรับความเร็วอาจไม่สามารถใช้งานได้อีกต่อไป

การประกอบ

⚠ ข้อควรระวัง:

- ตรวจสอบให้แน่ใจว่าสวิตช์เครื่องมืออยู่ในตำแหน่งปิดเครื่อง และถอดปลั๊กเครื่องมือออกจากคานำงานใดๆ กับเครื่องมือ

การติดตั้งหรือถอดดอกสกัด

ทำความสะอาดก้านดอกสกัดก่อนการติดตั้ง

ใส่ดอกสกัดลงในเครื่องมือ หมุนและดันดอกสกัดจนกระทั่งเข้าที่ (ภาพที่ 3)

ถ้าไม่สามารถดันดอกสกัดเข้าไปได้ ให้ถอดดอกสกัดออก แล้วดึงฝาครอบหัวจับลงสองครั้ง จากนั้นใส่ดอกสกัดอีกครั้ง หมุนและดันดอกสกัดจนกระทั่งเข้าที่ (ภาพที่ 4)

หลังจากการติดตั้ง ตรวจสอบให้แน่ใจว่าดอกสกัดยึดแน่นเข้าที่ดีแล้วโดยลองพยายามดึงออก

เมื่อต้องการถอดดอกสกัดออก ให้ดึงฝาครอบหัวจับลงจนสุดและดึงดอกสกัดออก (ภาพที่ 5)

มุมดอกสกัด (ภาพที่ 6 และภาพที่ 7)

ดอกสกัดสามารถปรับมุมได้ 12 ตำแหน่ง เมื่อต้องการเปลี่ยนมุมดอกสกัด ให้เลื่อนแหวนปรับมุมไปยังหน้า แล้วหมุนแหวนปรับมุมเพื่อเปลี่ยนมุมดอกสกัด เมื่อได้มุมที่ต้องการแล้ว ให้เลื่อนแหวนปรับมุมกลับสู่ตำแหน่งเดิม ดอกสกัดจะยึดเข้าที่

ขอเกี่ยว (ภาพที่ 8)

เมื่อเชื่อมต่อสายไฟเข้ากับสายต่อ ให้ใช้ขอเกี่ยวเพื่อให้สายไฟไม่หลุดจากขั้วเสียบของสายต่อ ติดตั้งขอเกี่ยวที่สายต่อโดยห่างจากขั้วเสียบของสายต่อ 10 ซม. - 20 ซม.

การใช้งาน

วางตำแหน่งดอกสกัดที่ตำแหน่งที่ต้องการสกัด จากนั้นกดสวิตช์สั่งงาน ใช้แรงกดเล็กน้อยที่เครื่องมือเพื่อให้เครื่องมือไม่สละบัตหรือสูญเสียการควบคุม การกดเครื่องมือแรงๆ จะไม่เพิ่มประสิทธิภาพการทำงาน (ภาพที่ 9)

หมายเหตุ:

- เมื่อใช้ดอกสกัดบนใหญ่เพื่อสกัดกระเบื้อง ให้ใช้ดอกสกัดสกัดที่ด้านข้างของกระเบื้องตามที่แสดงในภาพ หากคุณใช้เครื่องมือสกัดที่พื้นผิวของกระเบื้อง อายุการใช้งานของดอกสกัดจะสั้นลง (ภาพที่ 10)

การบำรุงรักษา

⚠ ข้อควรระวัง:

- ตรวจสอบให้แน่ใจว่าได้ปิดสวิตช์เครื่องมือและถอดปลั๊กออกก่อนทำการตรวจสอบหรือบำรุงรักษา
- อย่าใช้น้ำมันเชื้อเพลิง เบนซิน ทินเนอร์ แอลกอฮอล์ หรือวัสดุประเภทเดียวกัน เพราะอาจทำให้เครื่องมือมีสีที่ชัดเจน ผิดรูปทรงหรือแตกหักได้

เพื่อความปลอดภัยและความน่าเชื่อถือของผลิตภัณฑ์ ควรให้ศูนย์บริการที่ผ่านการรับรองจาก Makita เป็นผู้ดำเนินการซ่อมแซม ตรวจสอบและเปลี่ยนแปรงคาร์บอน บำรุงรักษา และทำการปรับตั้งอื่นๆ นอกจากนี้ให้ใช้ช่องโหลของแท่งจาก Makita เสมอ

อุปกรณ์เสริม

⚠ ข้อควรระวัง:

- ขอแนะนำให้ใช้เฉพาะอุปกรณ์เสริมหรืออุปกรณ์ต่อพ่วงเหล่านี้กับเครื่องมือ Makita ที่ระบุในคู่มือ การใช้อุปกรณ์เสริมหรืออุปกรณ์ต่อพ่วงอื่นๆ อาจมีความเสี่ยงที่จะได้รับบาดเจ็บ ใช้ อุปกรณ์เสริมหรืออุปกรณ์ต่อพ่วงตามวัตถุประสงค์ที่ระบุไว้เท่านั้น

หากคุณต้องการทราบรายละเอียดเกี่ยวกับอุปกรณ์เสริมเหล่านี้ โปรดสอบถามศูนย์บริการ Makita ใกล้บ้านคุณ

- ดอกสกัดปากแหลม
- ดอกสกัดปากแบน
- ดอกสกัดแบนใหญ่
- จาระบีดอกสกัด
- แวนตานิกรีย
- จาระบีเครื่องเจาะสกัด
- ขอเกี่ยว

หมายเหตุ:

- อุปกรณ์บางรายการอาจจะรวมอยู่ในชุดอุปกรณ์พื้นฐานของผลิตภัณฑ์ ซึ่งอาจแตกต่างกันไปในแต่ละประเทศ

Makita Corporation

Anjo, Aichi, Japan

www.makita.com

884770-374

TRD