



GB Shear

Instruction manual

ID Mesin Gunting

Petunjuk penggunaan

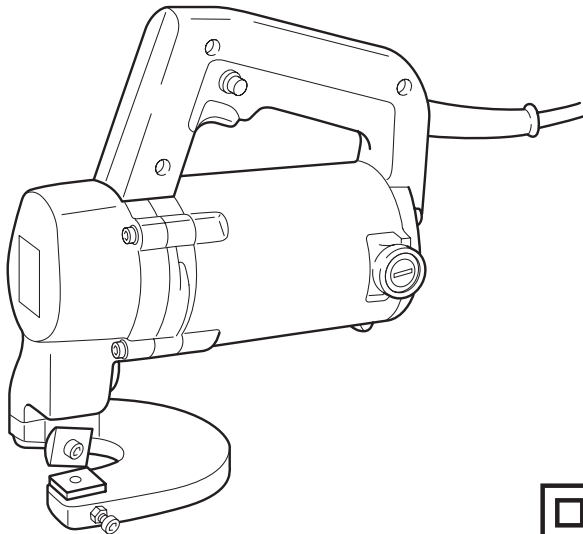
VI Máy cắt tôn

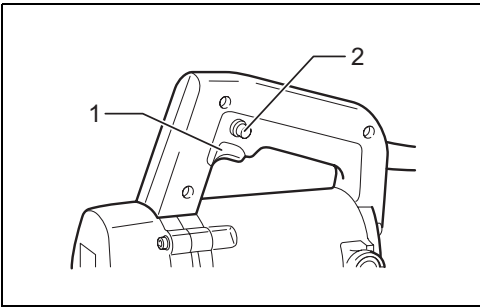
Tài liệu hướng dẫn

TH เครื่องตัด

คู่มือการใช้งาน

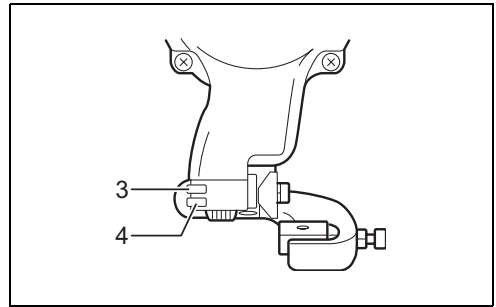
JS3200





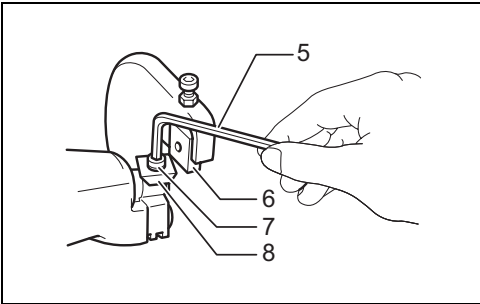
1

004670



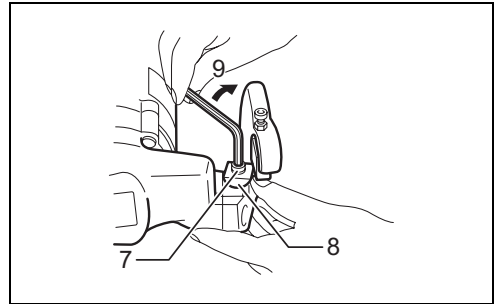
2

004675



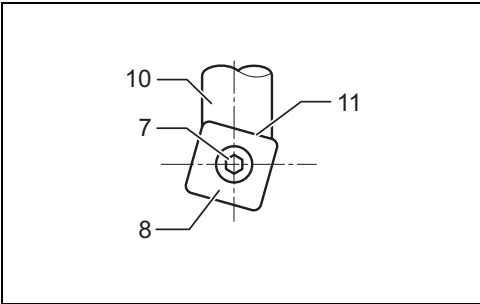
3

004679



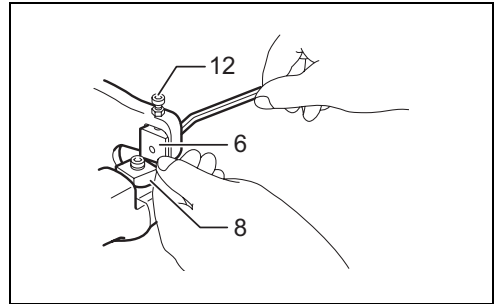
4

004682



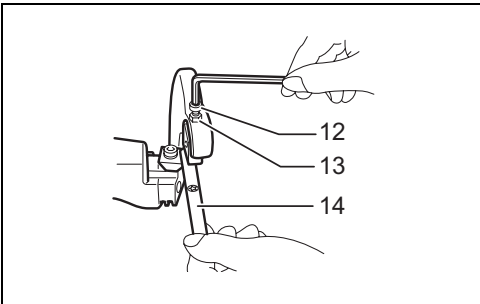
5

004683



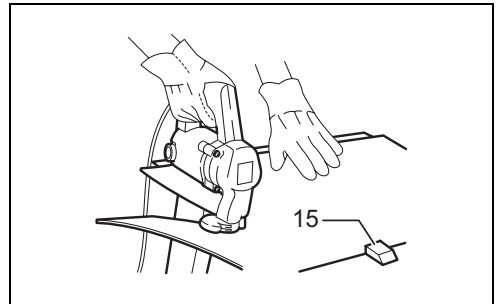
6

004684



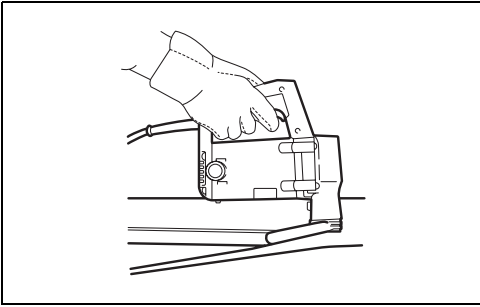
7

004685



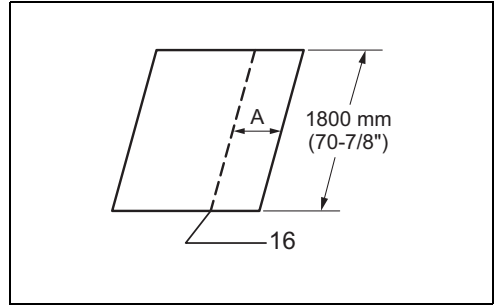
8

004700



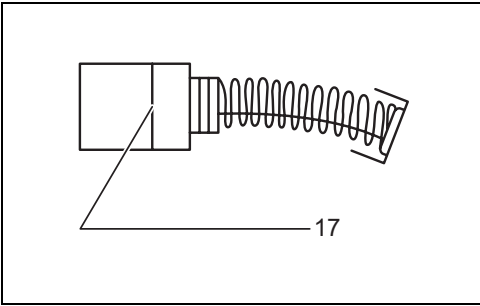
9

004702



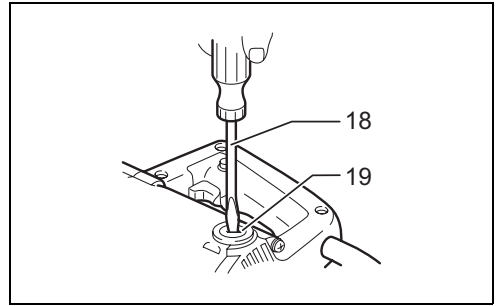
10

004703



11

001145



12

004707

ENGLISH

Explanation of general view

- | | | |
|--|----------------------------------|----------------------|
| 1. Switch trigger | 6. Lower blade | 13. Hex nut |
| 2. Lock button | 7. Upper blade securing bolt | 14. Thickness gauge |
| 3. Gauge for stainless: 2.5 mm (3/32") | 8. Upper blade | 15. Workholder |
| 4. Gauge for mild steel: 3.2 mm (1/8") | 9. Tighten | 16. Cutting line |
| 5. Hex wrench | 10. Blade holder | 17. Limit mark |
| | 11. No gap allowed | 18. Screwdriver |
| | 12. Lower blade positioning bolt | 19. Brush holder cap |

SPECIFICATIONS

Model		JS3200
Max. cutting capacities	Steel up to 400 N/mm ²	3.2 mm (10 ga.)
	Steel up to 600 N/mm ²	2.5 mm (13 ga.)
	Steel up to 800 N/mm ²	1.5 mm (17 ga.)
	Aluminum up to 200 N/mm ²	4.0 mm (9 ga.)
Min. cutting radius		50 mm
Strokes per minute (min ⁻¹)		1,600
Overall length		204 mm
Net weight		3.4 kg
Safety class		□/II

- Due to our continuing programme of research and development, the specifications herein are subject to change without notice.
- Specifications may differ from country to country.
- Weight according to EPTA-Procedure 01/2003

END201-5

GEA005-3

Symbols

The following show the symbols used for the equipment. Be sure that you understand their meaning before use.



..... Read instruction manual.



..... DOUBLE INSULATION

Intended use

The tool is intended for cutting sheet steel and stainless sheet steel.

ENE037-1

Power supply

The tool should be connected only to a power supply of the same voltage as indicated on the nameplate, and can only be operated on single-phase AC supply. They are double-insulated in accordance with European Standard and can, therefore, also be used from sockets without earth wire.

ENF002-1

General Power Tool Safety Warnings

⚠ WARNING! Read all safety warnings and all instructions. Failure to follow the warnings and instructions may result in electric shock, fire and/or serious injury.

Save all warnings and instructions for future reference.

The term "power tool" in the warnings refers to your mains-operated (corded) power tool or battery-operated (cordless) power tool.

Work area safety

1. **Keep work area clean and well lit.** Cluttered or dark areas invite accidents.
2. **Do not operate power tools in explosive atmospheres, such as in the presence of flammable liquids, gases or dust.** Power tools create sparks which may ignite the dust or fumes.
3. **Keep children and bystanders away while operating a power tool.** Distractions can cause you to lose control.

Electrical safety

4. **Power tool plugs must match the outlet. Never modify the plug in any way. Do not use any adapter plugs with earthed (grounded) power tools.** Unmodified plugs and matching outlets will reduce risk of electric shock.
5. **Avoid body contact with earthed or grounded surfaces such as pipes, radiators, ranges and refrigerators.** There is an increased risk of electric shock if your body is earthed or grounded.
6. **Do not expose power tools to rain or wet conditions.** Water entering a power tool will increase the risk of electric shock.
7. **Do not abuse the cord. Never use the cord for carrying, pulling or unplugging the power tool. Keep cord away from heat, oil, sharp edges or moving parts.** Damaged or entangled cords increase the risk of electric shock.
8. **When operating a power tool outdoors, use an extension cord suitable for outdoor use.** Use of a cord suitable for outdoor use reduces the risk of electric shock.
9. **If operating a power tool in a damp location is unavoidable, use a residual current device (RCD) protected supply.** Use of an RCD reduces the risk of electric shock.
10. **Use of power supply via a RCD with a rated residual current of 30mA or less is always recommended.**

Personal safety

11. **Stay alert, watch what you are doing and use common sense when operating a power tool. Do not use a power tool while you are tired or under the influence of drugs, alcohol or medication.** A moment of inattention while operating power tools may result in serious personal injury.
12. **Use personal protective equipment. Always wear eye protection.** Protective equipment such as dust mask, non-skid safety shoes, hard hat, or hearing protection used for appropriate conditions will reduce personal injuries.
13. **Prevent unintentional starting. Ensure the switch is in the off-position before connecting to power source and/or battery pack, picking up or carrying the tool.** Carrying power tools with your finger on the switch or energising power tools that have the switch on invites accidents.
14. **Remove any adjusting key or wrench before turning the power tool on.** A wrench or a key left attached to a rotating part of the power tool may result in personal injury.
15. **Do not overreach. Keep proper footing and balance at all times.** This enables better control of the power tool in unexpected situations.
16. **Dress properly. Do not wear loose clothing or jewellery. Keep your hair, clothing, and gloves away from moving parts.** Loose clothes, jewellery or long hair can be caught in moving parts.
17. **If devices are provided for the connection of dust extraction and collection facilities, ensure these are connected and properly used.** Use of dust collection can reduce dust-related hazards.

Power tool use and care

18. **Do not force the power tool. Use the correct power tool for your application.** The correct power tool will do the job better and safer at the rate for which it was designed.
 19. **Do not use the power tool if the switch does not turn it on and off.** Any power tool that cannot be controlled with the switch is dangerous and must be repaired.
 20. **Disconnect the plug from the power source and/or the battery pack from the power tool before making any adjustments, changing accessories, or storing power tools.** Such preventive safety measures reduce the risk of starting the power tool accidentally.
 21. **Store idle power tools out of the reach of children and do not allow persons unfamiliar with the power tool or these instructions to operate the power tool.** Power tools are dangerous in the hands of untrained users.
 22. **Maintain power tools. Check for misalignment or binding of moving parts, breakage of parts and any other condition that may affect the power tool's operation. If damaged, have the power tool repaired before use.** Many accidents are caused by poorly maintained power tools.
 23. **Keep cutting tools sharp and clean.** Properly maintained cutting tools with sharp cutting edges are less likely to bind and are easier to control.
 24. **Use the power tool, accessories and tool bits etc. in accordance with these instructions, taking into account the working conditions and the work to be performed.** Use of the power tool for operations different from those intended could result in a hazardous situation.
- ### Service
25. **Have your power tool serviced by a qualified repair person using only identical replacement parts.** This will ensure that the safety of the power tool is maintained.
 26. **Follow instruction for lubricating and changing accessories.**
 27. **Keep handles dry, clean and free from oil and grease.**

GEB027-2

SHEAR SAFETY WARNINGS

1. **Hold the tool firmly.**
2. **Secure the workpiece firmly.**
3. **Keep hands away from moving parts.**
4. **Edges and chips of the workpiece are sharp. Wear gloves. It is also recommended that you put on thickly bottomed shoes to prevent injury.**
5. **Do not put the tool on the chips of the workpiece. Otherwise it can cause damage and trouble on the tool.**
6. **Do not leave the tool running. Operate the tool only when hand-held.**
7. **Always be sure you have a firm footing. Be sure no one is below when using the tool in high locations.**

8. **Do not touch the blade or the workpiece immediately after operation; they may be extremely hot and could burn your skin.**
9. **Avoid cutting electrical wires. It can cause serious accident by electric shock.**

SAVE THESE INSTRUCTIONS.

⚠ WARNING:
DO NOT let comfort or familiarity with product (gained from repeated use) replace strict adherence to safety rules for the subject product. MISUSE or failure to follow the safety rules stated in this instruction manual may cause serious personal injury.

FUNCTIONAL DESCRIPTION

⚠ CAUTION:

- Always be sure that the tool is switched off and unplugged before adjusting or checking function on the tool.

Switch action (Fig. 1)

⚠ CAUTION:

- Before plugging in the tool, always check to see that the switch trigger actuates properly and returns to the "OFF" position when released.

To start the tool, simply pull the switch trigger. Release the switch trigger to stop.

For continuous operation, pull the switch trigger and then push in the lock button.

To stop the tool from the locked position, pull the switch trigger fully, then release it.

Permissible shearing thickness (Fig. 2)

The groove on the yoke serves as a thickness gauge for shearing mild or stainless steel plate. If the material fits within the groove, it is shearable.

The thickness of materials to be sheared depends upon the type (strength) of the material. The maximum shearing thickness is indicated in the table below in terms of various materials. Attempting to shear materials thicker than indicated will result in tool breakdown and/or possible injury. Keep within the thickness shown in the table.

Max. cutting capacities	mm	ga
Steel up to 400 N/mm ²	3.2	10
Steel up to 600 N/mm ²	2.5	13
Steel up to 800 N/mm ²	1.5	17
Aluminum up to 200 N/mm ²	4.0	9

006426

ASSEMBLY

⚠ CAUTION:

- Always be sure that the tool is switched off and unplugged before carrying out any work on the tool.

Blade inspection

Before using the tool, check the blades for wear. Dull, worn blades will result in poor shearing action, and the service life of the tool will be shortened.

The service life of the blades varies in terms of the materials to be cut and the fixed blade clearance. Roughly speaking, a blade can cut about 500 m of 3.2 mm mild steel with one cutting edge (total 2,000 m with four cutting edges).

Rotating or replacing blades

Both the upper and lower blades have four cutting edges on each side (the front and back). When the cutting edge becomes dull, rotate both the upper and the lower blades 90° to expose new cutting edges.

When all eight edges are dull on both the upper and lower blades, replace both blades with new ones. Each time blades are rotated or replaced, proceed as follows.

Remove the blade securing bolts with the hex wrench provided and then rotate or replace the blades. **(Fig. 3)** Install the upper blade and tighten the upper blade securing bolt with the hex wrench. Press up on the upper blade while tightening it. **(Fig. 4)**

After securing the upper blade, be sure that there is no gap left between the upper blade and the beveled surface of the blade holder. **(Fig. 5)**

Then install the lower blade like the upper blade while adjusting the clearance between the upper blade and lower blades. When performing this adjustment, the upper blade should be in the lowered position. **(Fig. 6)**

First, semi-tighten the lower blade securing bolt, then insert the thickness gauge for the desired clearance. The cutting thickness is indicated on the thickness gauge so the combinations shown in the table below should be used. Work the lower blade positioning bolt on the yoke until the clearance is such that the thickness gauge moves only with some difficulty. Then firmly tighten the lower blade securing bolt. Finally, tighten the hex nut to secure the lower blade positioning bolt. **(Fig. 7)**

Thickness gauge combinations

Material thickness	2.3 mm (14 ga.)	2.5 mm (13 ga.)	3.2 mm (10 ga.)
Thickness gauge combinations	1.0 + 1.5	1.0 + 1.5	1.5 + 2.0

006427

OPERATION

Holding material (Fig. 8)

The materials for cutting should be fastened to the workbench by means of workholders.

Shearing method (Fig. 9)

For smooth cuts, tip the tool slightly backward while advancing it.

Maximum cutting width (Fig. 10)

Stay within the specified maximum cutting width (A): Case of length 1,800 mm.

Mild steel (thickness)	3.2 mm	Under 2.3 mm
Max. cutting width (A)	90 mm	No limit

Stainless (thickness)	2.5 mm	Under 2.0 mm
Max. cutting width (A)	70 mm	No limit

006432

Minimum cutting radius

Minimum cutting radius is 50 mm when cutting 2.3 mm mild steel.

MAINTENANCE

CAUTION:

- Always be sure that the tool is switched off and unplugged before attempting to perform inspection or maintenance.
- Never use gasoline, benzine, thinner, alcohol or the like. Discoloration, deformation or cracks may result.

Replacing carbon brushes

Remove and check the carbon brushes regularly. Replace when they wear down to the limit mark. Keep the carbon brushes clean and free to slip in the holders. Both carbon brushes should be replaced at the same time. Use only identical carbon brushes. (Fig. 11)

Use a screwdriver to remove the brush holder caps. Take out the worn carbon brushes, insert the new ones and secure the brush holder caps. (Fig. 12)

To maintain product SAFETY and RELIABILITY, repairs, any other maintenance or adjustment should be performed by Makita Authorized Service Centers, always using Makita replacement parts.

OPTIONAL ACCESSORIES

CAUTION:

- These accessories or attachments are recommended for use with your Makita tool specified in this manual. The use of any other accessories or attachments might present a risk of injury to persons. Only use accessory or attachment for its stated purpose.

If you need any assistance for more details regarding these accessories, ask your local Makita Service Center.

- Blades
- Hex wrench
- Thickness gauge

NOTE:

- Some items in the list may be included in the tool package as standard accessories. They may differ from country to country.

BAHASA INDONESIA

Penjelasan tampilan keseluruhan

- | | | |
|---|--|-------------------------|
| 1. Saklar pemacu | 7. Baut pengikat mata pisau atas | 14. Pengukur ketebalan |
| 2. Tombol kunci | 8. Mata pisau atas | 15. Penahan benda kerja |
| 3. Pengukur untuk baja tahan karat:
2,5 mm (3/32") | 9. Kencangkan | 16. Garis pemotongan |
| 4. Pengukur untuk baja lunak:
3,2 mm (1/8") | 10. Pemegang mata pisau | 17. Tanda batas |
| 5. Kunci L | 11. Tidak boleh ada celah | 18. Obeng |
| 6. Mata pisau bawah | 12. Baut penyetel posisi mata pisau
bawah | 19. Tutup tempat sikat |
| | 13. Mur segi-enam | |

SPEKIFIKASI

Model		JS3200
Kapasitas pemotongan maks.	Baja sampai dengan 400 N/mm ²	3,2 mm (10 ga.)
	Baja sampai dengan 600 N/mm ²	2,5 mm (13 ga.)
	Baja sampai dengan 800 N/mm ²	1,5 mm (17 ga.)
	Aluminium sampai dengan 200 N/mm ²	4,0 mm (9 ga.)
Jari-jari pemotongan min.		50 mm
Langkah per menit (min ⁻¹)		1.600
Panjang keseluruhan		204 mm
Berat bersih		3,4 kg
Kelas keamanan		□/II

- Karena kesinambungan program penelitian dan pengembangan kami, spesifikasi yang disebutkan di sini dapat berubah tanpa pemberitahuan.
- Spesifikasi dapat berbeda dari satu negara ke negara lainnya.
- Berat menurut Prosedur EPTA 01/2003

END201-5

GEA005-3

Simbol

Berikut ini adalah simbol-simbol yang digunakan pada peralatan ini.

Pastikan Anda mengerti makna masing-masing simbol sebelum menggunakan alat.



..... Baca petunjuk penggunaan.



..... ISOLASI GANDA

ENE037-1

Penggunaan

Mesin ini digunakan untuk memotong baja pelat dan baja pelat tahan karat.

ENF002-1

Pasokan daya

Mesin harus terhubung dengan pasokan daya listrik yang bervoltase sama dengan yang tertera pada pelat nama, dan hanya dapat dijalankan dengan listrik AC fase tunggal. Mesin diisolasi ganda sesuai Standard Eropa dan oleh sebab itu dapat dihubungkan dengan soket tanpa arde.

Peringatan Keselamatan Umum Mesin Listrik

⚠ PERINGATAN! Bacalah semua peringatan keselamatan dan semua petunjuk. Kelalaian mematuhi peringatan dan petunjuk dapat menyebabkan sengatan listrik, kebakaran dan/atau cedera serius.

Simpanlah semua peringatan dan petunjuk untuk acuan di masa depan.

Istilah "mesin listrik" dalam semua peringatan mengacu pada mesin listrik yang dijalankan dengan sumber listrik jala-jala (berkabel) atau baterai (tanpa kabel).

Keselamatan tempat kerja

1. **Jaga tempat kerja selalu bersih dan berpenerangan cukup.** Tempat kerja yang berantakan dan gelap mengundang kecelakaan.
2. **Jangan gunakan mesin listrik dalam lingkungan yang mudah meledak, misalnya jika ada cairan, gas, atau debu yang mudah menyala.** Mesin listrik menimbulkan bunga api yang dapat menyalakan debu atau uap tersebut.

3. **Jauhkan anak-anak dan orang lain saat menggunakan mesin listrik.** Bila perhatian terpecah, anda dapat kehilangan kendali.

Keamanan kelistrikan

4. **Steker mesin listrik harus cocok dengan stopkontak. Jangan sekali-kali mengubah steker dengan cara apa pun. Jangan menggunakan steker adaptor dengan mesin listrik berarde (dibumikan).** Steker yang tidak diubah dan stopkontak yang cocok akan mengurangi risiko sengatan listrik.
5. **Hindari sentuhan tubuh dengan permukaan berarde atau yang dibumikan seperti pipa, radiator, kompor, dan kulkas.** Risiko sengatan listrik bertambah jika tubuh Anda terbumikan atau terarde.
6. **Jangan membiarkan mesin listrik kehujanan atau kebasahan.** Air yang masuk ke dalam mesin listrik akan meningkatkan risiko sengatan listrik.
7. **Jangan menyalahgunakan kabel. Jangan sekali-kali menggunakan kabel untuk membawa, menarik, atau mencabut mesin listrik dari stopkontak. Jauhkan kabel dari panas, minyak, tepian tajam, atau bagian yang bergerak.** Kabel yang rusak atau kusut memperbesar risiko sengatan listrik.
8. **Bila menggunakan mesin listrik di luar ruangan, gunakan kabel ekstensi yang sesuai untuk penggunaan di luar ruangan.** Penggunaan kabel yang sesuai untuk penggunaan luar ruangan mengurangi risiko sengatan listrik.
9. **Jika mengoperasikan mesin listrik di lokasi lembap tidak terhindarkan, gunakan pasokan daya yang dilindungi peranti imbasan arus (residual current device - RCD).** Penggunaan RCD mengurangi risiko sengatan listrik.
10. **Penggunaan pasokan daya melalui RCD dengan kapasitas arus sisa 30 mA atau kurang selalu dianjurkan.**

Keselamatan diri

11. **Jaga kewaspadaan, perhatikan pekerjaan Anda dan gunakan akal sehat bila menggunakan mesin listrik. Jangan menggunakan mesin listrik saat Anda lelah atau di bawah pengaruh obat bius, alkohol, atau obat.** Sekejap saja lalai saat menggunakan mesin listrik dapat menyebabkan cedera diri yang serius.
12. **Gunakan alat pelindung diri. Selalu gunakan pelindung mata.** Peralatan pelindung seperti masker debu, sepatu pengaman anti-selip, helm pengaman, atau pelindung telinga yang digunakan untuk kondisi yang sesuai akan mengurangi risiko cedera diri.
13. **Cegah penyalaan yang tidak disengaja. Pastikan bahwa sakelar berada dalam posisi mati (off) sebelum menghubungkan mesin ke sumber daya dan/atau baterai, atau mengangkat atau membawanya.** Membawa mesin listrik dengan jari Anda pada sakelarnya atau mengalirkan listrik pada mesin listrik yang sakelarnya hidup (on) akan mengundang kecelakaan.
14. **Lepaskan kunci-kunci penyetel sebelum menghidupkan mesin listrik.** Kunci-kunci yang masih terpasang pada bagian mesin listrik yang berputar dapat menyebabkan cedera.
15. **Jangan meraih terlalu jauh. Jagalah pijakan dan keseimbangan sepanjang waktu.** Hal ini memungkinkan kendali yang lebih baik atas mesin listrik dalam situasi yang tidak diharapkan.

16. **Kenakan pakaian dengan baik. Jangan memakai pakaian yang kedodoran atau perhiasan. Jaga jarak antara rambut, pakaian, dan sarung tangan Anda dengan bagian mesin yang bergerak.** Pakaian kedodoran, perhiasan, atau rambut panjang dapat tersangkut pada bagian yang bergerak.
17. **Jika tersedia fasilitas untuk menghisap dan mengumpulkan debu, pastikan fasilitas tersebut terhubung listrik dan digunakan dengan baik.** Penggunaan pembersih debu dapat mengurangi bahaya yang terkait dengan debu.

Penggunaan dan pemeliharaan mesin listrik

18. **Jangan memaka mesin listrik. Gunakan mesin listrik yang tepat untuk keperluan Anda.** Mesin listrik yang tepat akan menuntaskan pekerjaan dengan lebih baik dan aman pada kecepatan sesuai rancangannya.
 19. **Jangan gunakan mesin listrik jika sakelar tidak dapat menyalakan dan mematikkannya.** Mesin listrik yang tidak dapat dikendalikan dengan sakelarnya adalah berbahaya dan harus diperbaiki.
 20. **Cabut steker dari sumber listrik dan/atau baterai dari mesin listrik sebelum melakukan penyetelan, penggantian aksesoris, atau menyimpan mesin listrik.** Langkah keselamatan preventif tersebut mengurangi risiko hidupnya mesin secara tak sengaja.
 21. **Simpan mesin listrik jauh dari jangkauan anak-anak dan jangan biarkan orang yang tidak paham mengenai mesin listrik tersebut atau petunjuk ini menggunakan mesin listrik.** Mesin listrik sangat berbahaya di tangan pengguna yang tak terlatih.
 22. **Rawatlah mesin listrik. Periksa apakah ada bagian bergerak yang tidak lurus atau macet, bagian yang pecah dan kondisi lain yang dapat mempengaruhi penggunaan mesin listrik. Jika rusak, perbaiki dahulu mesin listrik sebelum digunakan.** Banyak kecelakaan disebabkan oleh kurangnya pemeliharaan mesin listrik.
 23. **Jaga agar mesin pemotong tetap tajam dan bersih.** Mesin pemotong yang terawat baik dengan mata pemotong yang tajam tidak mudah macet dan lebih mudah dikendalikan.
 24. **Gunakan mesin listrik, aksesoris, dan mata mesin, dll. sesuai dengan petunjuk ini, dengan memperhatikan kondisi kerja dan jenis pekerjaan yang dilakukan.** Penggunaan mesin listrik untuk penggunaan yang lain dari peruntukan dapat menimbulkan situasi berbahaya.
- #### **Servis**
25. **Berikan mesin listrik untuk diperbaiki hanya kepada oleh teknisi yang berkualifikasi dengan menggunakan hanya suku cadang pengganti yang serupa.** Hal ini akan menjamin terjaganya keamanan mesin listrik.
 26. **Patuhi petunjuk pelumasan dan penggantian aksesoris.**
 27. **Jagalah agar gagang kering, bersih, dan bebas dari minyak dan gemuk.**

PERINGATAN KESELAMATAN GUNTING

1. Pegang mesin kuat-kuat.
2. Tahan benda kerja dengan kuat.
3. Jauhkan tangan dari bagian yang berputar.
4. Tepian dan geram-geram benda kerja merupakan benda tajam. Gunakan sarung tangan. Anda juga dianjurkan untuk menggunakan sepatu beralas tebal untuk mencegah cedera
5. Jangan meletakkan mesin di atas geram-geram benda kerja. Jika tidak, hal tersebut dapat menyebabkan kerusakan dan masalah pada mesin
6. Jangan tinggalkan mesin dalam keadaan hidup. Jalankan mesin hanya ketika digenggam tangan.
7. Selalu pastikan Anda berdiri di atas alas yang kuat. Pastikan tidak ada orang di bawahnya bila Anda menggunakan mesin di tempat tinggi.
8. Jangan menyentuh mata mesin atau benda kerja segera setelah pengoperasian; suhunya mungkin masih sangat panas dan dapat membakar kulit Anda.
9. Hindari memotong kabel listrik. Hal tersebut dapat menyebabkan kecelakaan serius akibat sengatan listrik.

SIMPAN PETUNJUK INI.

⚠ PERINGATAN:

JANGAN biarkan kenyamanan atau terbiasanya Anda dengan produk (karena penggunaan berulang) menggantikan kepatuhan yang ketat terhadap aturan keselamatan untuk produk yang terkait. PENYALAHGUNAAN atau kelalaian mematuhi kaidah keselamatan yang tertera dalam petunjuk ini dapat menyebabkan cedera badan serius.

DESKRIPSI FUNGSI

⚠ PERHATIAN:

- Selalu pastikan bahwa mesin dalam keadaan mati dan steker tercabut sebelum menyatel atau memeriksa kerja mesin.

Kerja saklar (Gb. 1)

⚠ PERHATIAN:

- Sebelum memasukkan steker, selalu periksa apakah picu saklar berfungsi dengan baik dan kembali ke posisi "OFF" saat dilepas.

Untuk menjalankan mesin, cukup tarik picu saklarnya.

Lepaskan picu saklar untuk berhenti.

Untuk penggunaan terus menerus, tarik picu saklar lalu tekan tombol kunci.

Untuk membebaskan posisi terkunci, tarik picu saklar sampai penuh, lalu lepaskan.

Ketebalan pengguntingan yang diizinkan (Gb. 2)

Alur pada yok berfungsi sebagai pengukur ketebalan untuk menggunting pelat baja lunak atau baja tahan karat. Jika ketebalan bahan cocok dengan alur, bahan tersebut bisa digunting.

Ketebalan bahan yang akan digunting tergantung pada jenis (kekuatan) bahan. Ketebalan pengguntingan maksimum ditunjukkan pada tabel di bawah untuk berbagai macam bahan. Mencoba menggunting bahan yang lebih tebal dari yang ditunjukkan akan mengakibatkan kerusakan mesin dan/atau kemungkinan cedera. Perhatikan agar ketebalan bahan selalu sesuai dengan yang ditunjukkan dalam tabel.

Kapasitas pemotongan maks.	mm	ga
Baja sampai dengan 400 N/mm ²	3,2	10
Baja sampai dengan 600 N/mm ²	2,5	13
Baja sampai dengan 800 N/mm ²	1,5	17
Aluminium sampai dengan 200 N/mm ²	4,0	9

006426

PERAKITAN

⚠ PERHATIAN:

- Selalu pastikan bahwa mesin dalam keadaan mati dan steker tercabut sebelum melakukan pekerjaan apapun pada mesin.

Pemeriksaan mata pisau

Sebelum menggunakan mesin, periksa mata pisau dari adanya keausan. Mata pisau yang tumpul dan aus akan menghasilkan kerja pengguntingan yang kurang baik, dan umur pakai mesin akan menjadi lebih singkat.

Umur pakai mata pisau bervariasi tergantung benda kerja yang akan dipotong dan jarak mata pisau tetap. Secara kasar, mata pisau dapat memotong sekitar 500 m baja lunak setebal 3,2 mm dengan satu tepi potong (secara total 2.000 m dengan empat tepi potong).

Memutar atau mengganti mata pisau

Baik mata pisau atas maupun mata pisau bawah memiliki empat tepi potong di tiap sisinya (depan dan belakang). Bila tepi potongnya tumpul, putar mata pisau atas dan mata pisau bawah sebanyak 90° untuk mendapatkan tepi potong yang baru.

Bila kedelapan tepi tersebut semuanya tumpul baik di mata pisau atas maupun bawah, ganti kedua pisau dengan yang baru. Setiap kali mata pisau diputar atau diganti, lakukan sebagaimana berikut.

Lepas baut pengikat mata pisau menggunakan kunci L yang tersedia lalu putar atau ganti mata pisau. **(Gb. 3)** Pasang mata pisau atas dan kencangkan baut pengikat mata pisau atas menggunakan kunci L. Tekan mata pisau ke atas saat mengencangkannya. **(Gb. 4)** Setelah mengencangkan mata pisau atas, pastikan bahwa tidak ada celah antara mata pisau atas dan permukaan miring pemegang mata pisau. **(Gb. 5)** Kemudian pasang mata pisau bawah seperti mata pisau atas sambil menyatel jarak antara mata pisau atas dan mata pisau bawah. Saat melakukan penyetulan ini, mata pisau atas harus berada di posisi bawah. **(Gb. 6)** Pertama-tama, kencangkan sedikit baut pengikat mata pisau bawah, lalu sisipkan pengukur ketebalan untuk mendapatkan jarak yang diinginkan. Ketebalan pemotongan ditunjukkan pada pengukur ketebalan sehingga kombinasi yang ditunjukkan pada tabel di bawah ini harus digunakan. Setel baut penyatel posisi

mata pisau bawah di yok sampai jarak tersebut sehingga pengukur ketebalan sedikit sulit digerakkan. Kemudian kencangkan kuat-kuat baut pengikat mata pisau bawah. Terakhir, kencangkan mur segi-enam untuk mengikat baut penyetel posisi mata pisau bawah. **(Gb. 7)**

Kombinasi pengukur ketebalan

Ketebalan bahan	2,3 mm (14 ga.)	2,5 mm (13 ga.)	3,2 mm (10 ga.)
Kombinasi pengukur ketebalan	1,0 + 1,5	1,0 + 1,5	1,5 + 2,0

006427

PENGUNAAN

Menahan bahan (Gb. 8)

Bahan yang akan dipotong harus dikencangkan di meja kerja menggunakan penahan benda kerja.

Metode pengungtingan (Gb. 9)

Untuk potongan halus, arahkan mesin sedikit ke belakang saat mengerakkannya ke arah maju.

Lebar pemotongan maksimum (Gb. 10)

Kerjakan selalu dengan ketebalan pemotongan maksimum yang ditentukan (A): Untuk panjang 1.800 mm.

Baja lunak (ketebalan)	3,2 mm	Di bawah 2,3 mm
Lebar pemotongan maksimum (A)	90 mm	Tidak ada batasan

Baja tahan karat (ketebalan)	2,5 mm	Di bawah 2,0 mm
Lebar pemotongan maksimum (A)	70 mm	Tidak ada batasan

006432

Jari-jari pemotongan minimum

Jari-jari pemotongan minimum adalah 50 mm bila memotong baja lunak setebal 2,3 mm.

PERAWATAN

⚠ PERHATIAN:

- Selalu pastikan bahwa mesin dimatikan dan steker dicabut sebelum melakukan pemeriksaan atau perawatan.
- Jangan sekali-kali menggunakan bensin, tiner, alkohol, atau bahan sejenisnya. Penggunaan bahan demikian dapat menyebabkan perubahan warna, perubahan bentuk atau timbulnya retakan.

Mengganti sikat karbon

Lepas dan periksa sikat karbon secara teratur. Lepas ketika aus sampai tanda batas. Jaga agar sikat karbon tetap bersih dan tidak bergeser dari tempatnya. Kedua sikat karbon harus diganti pada waktu yang sama. Hanya gunakan sikat karbon yang sama. **(Gb. 11)**

Gunakan obeng untuk melepas tutup tempat sikat. Tarik keluar sikat karbon yang aus, masukkan yang baru dan pasang tutup tempat sikat. **(Gb. 12)**

Untuk menjaga KEAMANAN dan KEANDALAN mesin, perbaikan, perawatan atau penyetulan lain harus dilakukan oleh Pusat Layanan Resmi Makita dan selalu gunakan suku cadang pengganti buatan Makita.

PILIHAN AKSESORI

⚠ PERHATIAN:

- Dianjurkan untuk menggunakan aksesoris atau perangkat tambahan ini dengan mesin Makita Anda yang ditentukan dalam petunjuk ini. Penggunaan aksesoris atau perangkat tambahan lain bisa menyebabkan risiko cedera pada manusia. Hanya gunakan aksesoris atau perangkat tambahan sesuai dengan peruntukannya.

Jika Anda memerlukan bantuan lebih rinci berkenaan dengan aksesoris ini, tanyakan pada Pusat Layanan Makita terdekat.

- Mata pisau
- Kunci L
- Pengukur ketebalan

CATATAN:

- Beberapa item dalam daftar tersebut mungkin sudah termasuk dalam paket mesin sebagai aksesoris standar. Hal tersebut dapat berbeda dari satu negara ke negara lainnya.

TIẾNG VIỆT

Giải thích về hình vẽ tổng thể

- | | | |
|--|-----------------------------------|----------------------------------|
| 1. Cần khởi động công tắc | 6. Lưới bên dưới | 13. Đai ốc lục giác |
| 2. Nút khóa | 7. Bu-lông giữ lưới bên trên | 14. Cờ đo độ dày |
| 3. Đế đỡ cho thép không rỉ: 2,5 mm (3/32") | 8. Lưới bên trên | 15. Thiết bị giữ đỡ vật gia công |
| 4. Đế đỡ cho thép mềm: 3,2 mm (1/8") | 9. Vặn chặt | 16. Vạch cắt |
| 5. Khóa lục giác | 10. Bộ đỡ lưới | 17. Vạch giới hạn |
| | 11. Không được có khe hở | 18. Tuốc-nơ-vít |
| | 12. Bu-lông định vị lưới bên dưới | 19. Nắp giữ chốt |

THÔNG SỐ KỸ THUẬT

Kiểu		JS3200
Khả năng cắt tối đa	Sắt lên đến 400 N/mm ²	3,2 mm (cỡ 10)
	Sắt lên đến 600 N/mm ²	2,5 mm (cỡ 13)
	Sắt lên đến 800 N/mm ²	1,5 mm (cỡ 17)
	Nhôm lên đến 200 N/mm ²	4,0 mm (cỡ 9)
Bán kính cắt tối thiểu		50 mm
Số nhát cắt mỗi phút (min ⁻¹)		1.600
Chiều dài tổng thể		204 mm
Trọng lượng tịnh		3,4 kg
Cấp độ an toàn		□/II

- Do chương trình nghiên cứu và phát triển liên tục của chúng tôi nên các thông số kỹ thuật trong đây có thể thay đổi mà không cần thông báo trước.
- Các thông số kỹ thuật có thể thay đổi tùy theo từng quốc gia.
- Trọng lượng tùy theo Quy trình EPTA tháng 01/2003

END201-5

GEA005-3

Ký hiệu

Phần dưới đây cho biết các ký hiệu được dùng cho thiết bị.

Đảm bảo rằng bạn hiểu rõ ý nghĩa của các ký hiệu này trước khi sử dụng.



..... Đọc tài liệu hướng dẫn.



..... CÁCH ĐIỆN KÉP

ENE037-1

Mục đích sử dụng

Dụng cụ được dùng để cắt tấm thép và tấm thép không rỉ.

ENF002-1

Nguồn cấp điện

Dụng cụ này chỉ được nối với nguồn cấp điện có điện áp giống như đã chỉ ra trên biển tên và chỉ có thể được vận hành trên nguồn điện AC một pha. Chúng được cách điện hai lớp theo Tiêu chuẩn Châu Âu và do đó cũng có thể được sử dụng từ các ổ cắm điện không có dây tiếp đất.

Cảnh báo An toàn Chung dành cho Dụng cụ Máy

⚠ CẢNH BÁO! Đọc tất cả các cảnh báo an toàn và hướng dẫn. Việc không tuân theo các cảnh báo và hướng dẫn có thể dẫn đến điện giật, hỏa hoạn và/hoặc thương tích nghiêm trọng.

Lưu giữ tất cả cảnh báo và hướng dẫn để tham khảo sau này.

Thuật ngữ "dụng cụ máy" trong các cảnh báo đề cập đến dụng cụ máy (có dây) được vận hành bằng nguồn điện chính hoặc dụng cụ máy (không dây) được vận hành bằng pin của bạn.

An toàn tại nơi làm việc

- Giữ nơi làm việc sạch sẽ và có đủ ánh sáng.** Nơi làm việc bừa bộn hoặc tối thường dễ gây ra tai nạn.
- Không vận hành dụng cụ máy trong môi trường cháy nổ, ví dụ như môi trường có sự hiện diện của các chất lỏng, khí hoặc bụi dễ cháy.** Các dụng cụ máy tạo tia lửa điện có thể làm bụi hoặc khí bốc cháy.
- Giữ trẻ em và người ngoài tránh xa nơi làm việc khi đang vận hành dụng cụ máy.** Sự xao lãng có thể khiến bạn mất khả năng kiểm soát.

An toàn về điện

4. **Phích cắm của dụng cụ máy phải khớp với ổ cắm. Không bao giờ được sửa đổi phích cắm theo bất kỳ cách nào. Không sử dụng bất kỳ phích chuyển đổi nào với các dụng cụ máy được nối đất (tiếp đất).** Các phích cắm còn nguyên vẹn và ổ cắm phù hợp sẽ giảm nguy cơ điện giật.
5. **Tránh để cơ thể tiếp xúc với các bề mặt nối đất hoặc tiếp đất như đường ống, bộ tản nhiệt, bếp ga và tủ lạnh.** Nguy cơ bị điện giật sẽ tăng lên nếu cơ thể bạn được nối đất hoặc tiếp đất.
6. **Không để dụng cụ máy tiếp xúc với mưa hoặc trong điều kiện ẩm ướt.** Nước lọt vào dụng cụ máy sẽ làm tăng nguy cơ điện giật.
7. **Không lạm dụng dây. Không bao giờ sử dụng dây đề mang, kéo hoặc tháo phích cắm dụng cụ máy. Giữ dây tránh xa nguồn nhiệt, dầu, các mép sắc hoặc các bộ phận chuyển động.** Dây bị hỏng hoặc bị rối sẽ làm tăng nguy cơ điện giật.
8. **Khi vận hành dụng cụ máy ngoài trời, hãy sử dụng dây kéo dài phù hợp cho việc sử dụng ngoài trời.** Việc dùng dây phù hợp cho việc sử dụng ngoài trời sẽ giảm nguy cơ điện giật.
9. **Nếu bắt buộc phải vận hành dụng cụ máy ở nơi ẩm ướt, hãy sử dụng nguồn cấp điện được bảo vệ bằng thiết bị ngắt dòng điện rò (RCD).** Việc sử dụng RCD sẽ giảm nguy cơ điện giật.
10. **Chúng tôi luôn khuyên bạn sử dụng nguồn cấp điện qua thiết bị RCD có thể ngắt dòng điện dư định mức 30 mA hoặc thấp hơn.**

An toàn cá nhân

11. **Luôn tỉnh táo, quan sát những việc bạn đang làm và sử dụng những phán đoán theo kinh nghiệm khi vận hành dụng cụ máy. Không sử dụng dụng cụ máy khi bạn đang mệt mỏi hoặc chịu ảnh hưởng của ma túy, rượu hay thuốc.** Chỉ một khoảnh khắc không tập trung khi đang vận hành dụng cụ máy cũng có thể dẫn đến thương tích cá nhân nghiêm trọng.
12. **Sử dụng thiết bị bảo hộ cá nhân. Luôn đeo thiết bị bảo vệ mắt.** Các thiết bị bảo hộ như mặt nạ chống bụi, giày an toàn chống trượt, mũ bảo hộ hay thiết bị bảo vệ thính giác được sử dụng trong các điều kiện thích hợp sẽ giúp giảm thương tích cá nhân.
13. **Tránh vô tình khởi động dụng cụ máy. Đảm bảo công tắc ở vị trí off (tắt) trước khi nối nguồn điện và/hoặc bộ pin, cắm hoặc mang dụng cụ máy.** Việc mang dụng cụ máy khi đang đặt ngón tay ở vị trí công tắc hoặc cấp điện cho dụng cụ máy đang bật thường dễ gây ra tai nạn.
14. **Tháo mọi khoá hoặc chia vận điều chỉnh trước khi bật dụng cụ máy.** Việc chia vận hoặc khoá vẫn còn gắn vào bộ phận quay của dụng cụ máy có thể dẫn đến thương tích cá nhân.
15. **Không với quá cao. Luôn giữ thăng bằng tốt và có chỗ để chân phù hợp.** Điều này cho phép điều khiển dụng cụ máy tốt hơn trong những tình huống bất ngờ.
16. **Ăn mặc phù hợp. Không mặc quần áo rộng hay đeo đồ trang sức. Giữ tóc, quần áo và găng tay tránh xa các bộ phận chuyển động.** Quần áo rộng, đồ trang sức hay tóc dài có thể mắc vào các bộ phận chuyển động.
17. **Nếu các thiết bị được cung cấp để kết nối các thiết bị thu gom và hút bụi, hãy đảm bảo chúng được**

kết nối và sử dụng hợp lý. Việc sử dụng thiết bị thu gom bụi có thể làm giảm những mối nguy hiểm liên quan đến bụi.

Sử dụng và bảo quản dụng cụ máy

18. **Không dùng lực đối với dụng cụ máy. Sử dụng đúng dụng cụ máy cho công việc của bạn.** Sử dụng đúng dụng cụ máy sẽ giúp thực hiện công việc tốt hơn và an toàn hơn theo giá trị định mức được thiết kế của dụng cụ máy đó.
19. **Không sử dụng dụng cụ máy nếu công tắc không bật và tắt được dụng cụ máy đó.** Mọi dụng cụ máy không thể điều khiển được bằng công tắc đều rất nguy hiểm và cần được sửa chữa.
20. **Rút phích cắm ra khỏi nguồn điện và/hoặc ngắt kết nối bộ pin khỏi dụng cụ máy trước khi thực hiện bất kỳ công việc điều chỉnh, thay đổi phụ tùng hay cắt giữ dụng cụ máy nào.** Những biện pháp an toàn phòng ngừa này sẽ giảm nguy cơ vô tình khởi động vô tình dụng cụ máy.
21. **Cắt giữ các dụng cụ máy không sử dụng ngoài tầm với của trẻ em và không cho bất kỳ người nào không có hiểu biết về dụng cụ máy hoặc các hướng dẫn này vận hành dụng cụ máy.** Dụng cụ máy sẽ rất nguy hiểm nếu được sử dụng bởi những người dùng chưa qua đào tạo.
22. **Bảo quản dụng cụ máy. Kiểm tra tình trạng lệch trục hoặc bó kẹt của các bộ phận chuyển động, hiện tượng nứt vỡ của các bộ phận và mọi tình trạng khác mà có thể ảnh hưởng đến hoạt động của dụng cụ máy.** Nếu có hỏng hóc, hãy sửa chữa dụng cụ máy trước khi sử dụng. Nhiều tai nạn xảy ra là do không bảo quản tốt dụng cụ máy.
23. **Luôn giữ cho dụng cụ cắt được sắc bén và sạch sẽ.** Những dụng cụ cắt được bảo quản tốt có mép cắt sắc sẽ ít bị kẹt hơn và dễ điều khiển hơn.
24. **Sử dụng dụng cụ máy, phụ tùng và đầu dụng cụ cắt, v.v... theo các hướng dẫn này, có tính đến điều kiện làm việc và công việc được thực hiện.** Việc sử dụng dụng cụ máy cho các công việc khác với công việc dự định có thể gây nguy hiểm.

Bảo dưỡng

25. **Đề nghị viên sửa chữa đủ trình độ bảo dưỡng dụng cụ máy của bạn và chỉ sử dụng các bộ phận thay thế đồng nhất.** Việc này sẽ đảm bảo duy trì được độ an toàn của dụng cụ máy.
26. **Tuân theo hướng dẫn dành cho việc bôi trơn và thay phụ tùng.**
27. **Giữ tay cầm khô, sạch, không dính dầu và mỡ.**

GEB027-2

CẢNH BÁO AN TOÀN ĐỐI VỚI MÁY CẮT

1. **Cầm chắc dụng cụ.**
2. **Giữ chặt vật gia công.**
3. **Giữ tay tránh xa các bộ phận quay.**
4. **Các mép và mặt vụn của vật gia công thường sắc cạnh. Hãy mang găng tay. Chúng tôi khuyến cáo bạn nên mang giày có phần đế dày để phòng ngừa chấn thương.**

- Không được đặt dụng cụ máy lên các mặt vụn của vật gia công. Nếu không chúng có thể gây hư hỏng và làm trục trặc dụng cụ máy.
- Không để mặc dụng cụ hoạt động. Chỉ vận hành dụng cụ khi cầm trên tay.
- Phải luôn đảm bảo rằng bạn có chỗ đứng tựa vững chắc.
Hãy chắc chắn rằng không có ai ở phía dưới khi sử dụng dụng cụ ở các vị trí trên cao.
- Không chạm vào lưỡi cắt hay vật gia công ngay sau khi vận hành; chúng có thể rất nóng và có thể gây bỏng da.
- Tránh cắt nhầm các dây điện. Điều này có thể gây ra tai nạn nghiêm trọng do điện giật.

LƯU GIỮ CÁC HƯỚNG DẪN NÀY.

⚠ CẢNH BÁO:

KHÔNG được để sự thoải mái hay quen thuộc với sản phẩm (có được do sử dụng nhiều lần) thay thế việc tuân thủ nghiêm ngặt các quy định về an toàn dành cho sản phẩm này. **VIỆC DÙNG SAI** hoặc không tuân theo các quy định về an toàn được nêu trong tài liệu hướng dẫn này có thể dẫn đến thương tích cá nhân nghiêm trọng.

MÔ TẢ CHỨC NĂNG

⚠ CẢNH BÁO:

- Phải luôn đảm bảo rằng dụng cụ đã được tắt điện và ngắt kết nối trước khi chỉnh sửa hoặc kiểm tra chức năng của dụng cụ.

Hoạt động công tắc (Hình 1)

⚠ CẢNH BÁO:

- Trước khi cắm điện vào dụng cụ, luôn luôn kiểm tra xem cần khởi động công tắc có hoạt động bình thường hay không và trả về vị trí "OFF" (TẮT) khi nhả ra. Để khởi động dụng cụ, chỉ cần kéo cần khởi động công tắc. Nhả cần khởi động công tắc ra để dừng. Để tiếp tục vận hành, hãy kéo cần khởi động công tắc và sau đó nhấn vào nút khóa. Để dừng dụng cụ từ vị trí đã khóa, hãy kéo cần khởi động công tắc hết mức, sau đó nhả ra.

Độ dày cắt cho phép (Hình 2)

Đường rãnh trên ổ tựa hoạt động như đế đỡ đo chiều dày để cắt tấm thép nhẹ hoặc thép không rỉ. Nếu vật liệu vừa khít vào trong rãnh thì máy có thể cắt được vật liệu đó. Độ dày của vật liệu cần cắt phụ thuộc vào loại (cường độ) của vật liệu đó. Độ dày cắt tối đa được chỉ định trong bảng dưới đây cho các loại vật liệu khác nhau. Nếu cố gắng cắt vật liệu dày hơn so với chỉ định sẽ làm dụng cụ bị hư hỏng và/hoặc có thể gây thương tích. Hãy tuân thủ chiều dày được hiển thị trong bảng.

Khả năng cắt tối đa	mm	cỡ
Sắt lên đến 400 N/mm ²	3,2	10
Sắt lên đến 600 N/mm ²	2,5	13
Sắt lên đến 800 N/mm ²	1,5	17
Nhôm lên đến 200 N/mm ²	4,0	9

006426

LẮP RÁP

⚠ CẢNH BÁO:

- Luôn luôn đảm bảo rằng dụng cụ đã được tắt và tháo phích cắm trước khi dùng dụng cụ thực hiện bất cứ công việc nào.

Kiểm tra lưỡi

Trước khi sử dụng công cụ, hãy kiểm tra lưỡi xem có bị mài mòn không. Các lưỡi bị cùn, mòn sẽ làm cho thao tác cắt không hiệu quả và làm giảm tuổi thọ của công cụ. Tuổi thọ hoạt động của các lưỡi cắt sẽ thay đổi theo loại vật liệu gia công sẽ được cắt và khoảng hở lưỡi cố định. Ước chừng sơ bộ, lưỡi cắt có thể cắt được khoảng 500 m thép mềm 3,2 mm với một mép cắt (tổng cộng 2.000 m với bốn mép cắt).

Sử dụng luân phiên hoặc thay thế lưỡi

Cả hai lưỡi dao trên và dưới có bốn mép cắt mỗi bên (mặt trước và mặt sau). Khi mép cắt bị cùn, hãy xoay cả hai lưỡi trên và dưới một góc 90° để làm lộ ra các mép cắt mới.

Khi tất cả tám mép cắt của lưỡi trên và lưỡi dưới đều bị cùn, hãy thay cả hai bằng các lưỡi cắt mới. Mỗi lần các lưỡi được luân chuyển hoặc thay thế, hãy tiến hành như sau.

Tháo các bu-lông giữ lưỡi bằng khóa vận lục giác đi kèm và sau đó luân chuyển hoặc thay thế các lưỡi cắt.

(Hình 3)

Lắp lưỡi cắt trên và vận chặt bu-lông giữ lưỡi trên bằng chìa vận lục giác. Đẩy lưỡi cắt dưới lên trên trong lúc đang vận chặt nó. (Hình 4)

Sau khi cố định chặt lưỡi cắt trên, hãy đảm bảo rằng không còn khoảng hở nào giữa lưỡi cắt trên và bề mặt được vát của bề đỡ lưỡi. (Hình 5)

Sau đó lắp đặt lưỡi cắt dưới tương tự như lưỡi cắt trên trong khi điều chỉnh khoảng hở giữa lưỡi cắt trên và các lưỡi cắt dưới. Khi thực hiện việc điều chỉnh này, lưỡi cắt trên cần phải ở vị trí thấp hơn. (Hình 6)

Đầu tiên, vận hơi bu-lông giữ lưỡi cắt dưới, sau đó lắp cỡ đo chiều dày vào để đo khoảng hở thích hợp. Chiều dày cắt được chỉ báo trên cỡ đo chiều dày do đó nên sử dụng các kiểu kết hợp như thể hiện trong bảng sau đây. Chính bu-lông định vị lưỡi bên dưới nằm trên đầu chạc cho đến khi đạt khoảng hở mà cỡ đo chiều dày chỉ dịch chuyển được một cách khó khăn. Sau đó vận chặt đai ốc lục giác giữ lưỡi bên dưới. Cuối cùng, vận chặt đai ốc lục giác để cố định bu-lông định vị lưỡi bên dưới. (Hình 7)

Các kiểu kết hợp cỡ đo chiều dày

Chiều dày vật liệu	2,3 mm (cỡ 14)	2,5 mm (cỡ 13)	3,2 mm (cỡ 10)
Các kiểu kết hợp cỡ đo chiều dày	1,0 + 1,5	1,0 + 1,5	1,5 + 2,0

006427

VẬN HÀNH

Cố định vật liệu (Hình 8)

Các vật liệu dùng để cắt phải được gắn chặt vào bàn làm việc bằng các thiết bị giữ đỡ vật gia công.

Phương pháp cắt (Hình 9)

Đề có vết cắt tron nhãn, hãy hơi ngả dụng cụ về phía sau trong lúc đẩy tới trước.

Chiều rộng cắt tối đa (Hình 10)

Nằm trong chiều rộng cắt tối đa được quy định (A):

Trường hợp hợp chiều dài 1.800mm.

Thép mềm (chiều dày)	3,2 mm	Dưới 2,3 mm
Chiều rộng cắt tối đa (A)	90 mm	Không giới hạn

Thép không rỉ (chiều dày)	2,5 mm	Dưới 2,0 mm
Chiều rộng cắt tối đa (A)	70 mm	Không giới hạn

006432

Bán kính cắt tối thiểu

Bán kính cắt tối thiểu là 50 mm khi cắt thép mềm 2,3 mm.

BẢO TRÌ

⚠ CẢNH TRỌNG:

- Hãy luôn chắc chắn rằng dụng cụ đã được tắt và ngắt kết nối trước khi cố gắng thực hiện việc kiểm tra hay bảo dưỡng.
- Không bao giờ dùng xăng, ết xăng, dung môi, cồn hoặc hóa chất tương tự. Có thể xảy ra hiện tượng mất màu, biến dạng hoặc nứt vỡ.

Thay thế các chổi các-bon

Hãy tháo và kiểm tra các chổi các-bon định kỳ. Thay thế khi chổi đã mòn đến vạch giới hạn. Hãy giữ cho các chổi các-bon sạch sẽ và không quấn vào trong các đầu giữ.

Các chổi các-bon nên được thay thế cùng lúc. Hãy sử dụng các chổi các-bon giống nhau. (Hình 11)

Hãy sử dụng một tuốc-nơ-vít để tháo các nắp giữ chổi.

Hãy tháo các chổi các-bon đã bị mòn, lắp vào các chổi mới và vận chặt các nắp giữ chổi. (Hình 12)

Để đảm bảo AN TOÀN và TIN CẬY của sản phẩm, việc sửa chữa hoặc bất cứ thao tác bảo trì, điều chỉnh nào đều phải được thực hiện bởi các Trung tâm Dịch vụ Được Ủy quyền của Makita (Makita Authorized Service Center), luôn sử dụng các phụ tùng thiết bị thay thế của Makita.

PHỤ KIỆN TỰY CHỌN

⚠ CẢNH TRỌNG:

- Các phụ kiện hoặc phụ tùng gắn thêm này được khuyến cáo sử dụng với dụng cụ Makita của bạn theo như quy định trong hướng dẫn này. Việc sử dụng bất cứ phụ kiện hoặc phụ tùng gắn thêm nào khác đều có thể gây ra rủi ro thương tích cho người. Chỉ sử dụng phụ kiện hoặc phụ tùng gắn thêm cho mục đích đã quy định sẵn của chúng.

Nếu bạn cần hỗ trợ để biết thêm chi tiết về những phụ kiện này, hãy liên hệ với Trung tâm Dịch vụ của Makita tại địa phương của bạn.

- Các lưỡi
- Khóa lục giác
- Cờ đo độ dày


LƯU Ý:

- Một vài mục trong danh sách có thể được bao gồm trong gói dụng cụ làm phụ kiện tiêu chuẩn. Các thông số kỹ thuật có thể thay đổi tùy theo từng quốc gia.

คำอธิบายของมุมมองทั่วไป

- | | | |
|---|--|---------------------|
| 1. สวิตช์สั่งงาน | 6. โบรมีดด้านล่าง | 13. นี้อตทกเหลี่ยม |
| 2. ปุ่มล็อค | 7. สลักเกลียวยึดโบรมีดด้านบน | 14. เกจวัดความหนา |
| 3. มาตราวัดสำหรับรับสแตนเลส:
2.5 มม. (3/32") | 8. โบรมีดด้านบน | 15. ที่ยึดงาน |
| 4. มาตราวัดสำหรับเหล็กเหนียว:
3.2 มม. (1/8") | 9. ชั้น | 16. แนวการตัด |
| 5. ประแจหกเหลี่ยม | 10. ที่ยึดโบรมีด | 17. ซีตจํากัด |
| | 11. อย่าให้มีช่องว่าง | 18. ไชควง |
| | 12. สลักเกลียวยึดตำแหน่งโบรมีดด้านล่าง | 19. ฝาปิดที่ยึดแปรง |

ข้อมูลจำเพาะ

รุ่น		JS3200
ความสามารถในการตัดสูงสุด	แผ่นเหล็กสูงสุด 400 นิวตัน/มม. ²	3.2 มม. (10 ga.)
	แผ่นเหล็กสูงสุด 600 นิวตัน/มม. ²	2.5 มม. (13 ga.)
	แผ่นเหล็กสูงสุด 800 นิวตัน/มม. ²	1.5 มม. (17 ga.)
	แผ่นอะลูมิเนียมสูงสุด 200 นิวตัน/มม. ²	4.0 มม. (9 ga.)
รัศมีการตัดต่ำสุด		50 มม.
อัตราการขึ้นลง (รอบต่อนาที)		1,600
ความยาวโดยรวม		204 มม.
น้ำหนักสุทธิ		3.4 กก.
มาตรฐานความปลอดภัย		 /II

- เนื่องจากการค้นคว้าวิจัยและพัฒนาอย่างต่อเนื่อง ข้อมูลจำเพาะในเอกสารฉบับนี้อาจเปลี่ยนแปลงได้โดยไม่ต้องแจ้งให้ทราบล่วงหน้า
- ข้อมูลจำเพาะอาจแตกต่างกันไปในแต่ละประเทศ
- น้ำหนักตามข้อบังคับของ EPTA 01/2003

END201-5

ENF002-1

สัญลักษณ์

ต่อไปนี้เป็นสัญลักษณ์ที่ใช้สำหรับอุปกรณ์
โปรดศึกษาความหมายของสัญลักษณ์ให้เข้าใจก่อนการใช้งาน



..... อ่านคู่มือการใช้งาน



..... ฉนวนสองชั้น

ENE037-1

GEA005-3

จุดประสงค์ของเครื่องมือ

เครื่องมือนี้ใช้สำหรับตัดแผ่นเหล็กและแผ่นเหล็กสแตนเลส

การจ่ายไฟ

ต้องเชื่อมต่อเครื่องมือกับเครื่องจ่ายไฟที่มีแรงเคลื่อนไฟฟ้าตามที่ระบุไว้ในป้ายข้อมูลเครื่องมือ และจะต้องใช้ไฟฟ้ากระแสสลับแบบเฟสเดียวเท่านั้น อุปกรณ์นี้ได้รับการหุ้มฉนวนสองชั้นตามมาตรฐาน European Standard และสามารถเข้ากับปลั๊กไฟที่ไม่มีสายดินได้

คำเตือนด้านความปลอดภัยของ
เครื่องมือไฟฟ้าทั่วไป

⚠ คำเตือน! อ่านคำเตือนด้านความปลอดภัยและคำแนะนำทั้งหมด การไม่ปฏิบัติตามคำเตือนและคำแนะนำดังกล่าวอาจส่งผลให้เกิดไฟฟ้าช็อต ไฟไหม้ และ/หรือได้รับบาดเจ็บอย่างร้ายแรง

เก็บรักษา ค่าเตือน และคำแนะนำ ทั้งหมดไว้เป็นข้อมูลอ้างอิงในอนาคต

คำว่า "เครื่องมือไฟฟ้า" ในคำเตือนนี้ หมายถึง เครื่องมือไฟฟ้า (มีสาย) ที่ทำงานโดยใช้กระแสไฟฟ้า หรือเครื่องมือไฟฟ้า (ไร้สาย) ที่ทำงานโดยใช้แบตเตอรี่

ความปลอดภัยของพื้นที่ทำงาน

1. ดูแลพื้นที่ทำงานให้มีความสะอาดและมีแสงไฟสว่าง พื้นที่ที่รกกระเถอะหรือมีดที่บิ่นอาจนำไปสู่การเกิดอุบัติเหตุได้
2. อย่าใช้งานเครื่องมือไฟฟ้าในสภาพที่อาจเกิดการกระเปิด เช่น ในสถานที่ที่มีของเหลว ก๊าซ หรือฝุ่นผงที่มีคุณสมบัติไวไฟ เครื่องมือไฟฟ้าจะสร้างประกายไฟเพื่อจุดชนวนฝุ่นผงหรือก๊าซดังกล่าว
3. ดูแลไม่ให้มีเด็ก ๆ หรือบุคคลอื่นอยู่ในบริเวณที่กำลังใช้เครื่องมือไฟฟ้า การมีสิ่งรบกวนสมาธิอาจทำให้คุณสูญเสียการควบคุม

ความปลอดภัยด้านไฟฟ้า

4. ปลั๊กของเครื่องมือไฟฟ้าต้องพอดีกับเต้ารับ อย่าดัดแปลงปลั๊กไม่ว่ากรณีใด ๆ อย่าใช้ปลั๊กอะแดปเตอร์กับเครื่องมือไฟฟ้าที่ต่อสายดิน ปลั๊กที่ไม่ถูกดัดแปลงและเต้ารับไฟที่เข้ากันพอดีจะช่วยลดความเสี่ยงของการเกิดไฟฟ้าช็อต
5. ระวังอย่าให้ร่างกายสัมผัสกับพื้นผิวที่ต่อสายดิน เช่น ท่อเครื่องทำความร้อน เตาหุงต้ม และตู้เย็น มีความเสี่ยงที่จะเกิดไฟฟ้าช็อตสูงขึ้น หากร่างกายของคุณสัมผัสกับพื้น
6. อย่าให้เครื่องมือไฟฟ้าถูกน้ำหรืออยู่ในสภาพเปียกชื้น น้ำที่ไหลเข้าไปในเครื่องมือไฟฟ้าจะเพิ่มความเสี่ยงของการเกิดไฟฟ้าช็อต
7. อย่าใช้สายไฟอย่างไม่เหมาะสม อย่าใช้สายไฟเพื่อยก ดึง หรือ ถอดปลั๊กเครื่องมือไฟฟ้า เก็บสายไฟให้ห่างจากความร้อน น้ำมัน ของมีคม หรือชิ้นส่วนที่เคลื่อนที่ สายที่ชำรุดหรือพันกันจะเพิ่มความเสี่ยงของการเกิดไฟฟ้าช็อต
8. ขณะที่ใช้งานเครื่องมือไฟฟ้านอกอาคาร ควรใช้สายต่อพ่วงที่เหมาะสมกับงานภายนอกอาคาร การใช้สายที่เหมาะสมกับงานภายนอกอาคารจะลดความเสี่ยงของการเกิดไฟฟ้าช็อต
9. หากต้องใช้งานเครื่องมือไฟฟ้าในสถานที่เปียกชื้น ให้ใช้อุปกรณ์ป้องกันกระแสไฟรั่ว (RCD) การใช้ RCD จะลดความเสี่ยงของการเกิดไฟฟ้าช็อต
10. ขอแนะนำให้ใช้แหล่งจ่ายไฟผ่าน RCD ที่มีกระแสไฟรั่วในอัตราไม่เกิน 30 mA เสมอ

ความปลอดภัยส่วนบุคคล

11. ให้ระมัดระวัง และสังเกตเสมอว่าคุณกำลังทำอะไรอยู่ และใช้สามัญสำนึกในขณะที่ใช้งานเครื่องมือไฟฟ้า อย่าใช้งานเครื่องมือไฟฟ้าในขณะที่คุณกำลังเหนื่อย หรือในสภาพที่เมื่อยมาจากยาเสพติด เครื่องดื่มแอลกอฮอล์ หรือ

- การใช้จ่าย ชั่วขณะที่ขาดความระมัดระวังเมื่อกำลังใช้งาน เครื่องมือไฟฟ้าอาจทำให้คุณได้รับบาดเจ็บอย่างรุนแรง
12. ใช้อุปกรณ์ป้องกันส่วนบุคคล สวมแว่นตาป้องกันเสมอ อุปกรณ์ป้องกัน เช่น หน้ากากกันฝุ่น รองเท้านิรภัยกันลื่น หมวกนิรภัย หรือเครื่องป้องกันการได้ยินที่ใช้ในสภาพที่เหมาะสมจะช่วยลดการบาดเจ็บ
 13. ป้องกันไม่ให้เปิดใช้งานอย่างไม่ตั้งใจ ตรวจสอบว่าสวิตช์อยู่ในตำแหน่งปิดก่อนเชื่อมต่อกับแหล่งจ่ายไฟ และ/หรือ ชุดแบตเตอรี่ หรือก่อนการยกหรือถือเครื่องมือ การสอดนิ้วมือบริเวณสวิตช์เพื่อถือเครื่องมือไฟฟ้า หรือการชาร์จไฟ เครื่องมือไฟฟ้าในขณะที่เปิดสวิตช์อยู่ก่อนนำไปสู่การเกิดอุบัติเหตุ
 14. นำกฎแฉกรับแต่งหรือประแจออกก่อนที่จะเปิดเครื่องมือไฟฟ้า ประแจหรือกฎแฉกที่เสียบค้างอยู่ในชิ้นส่วนที่หมุนได้ของเครื่องมือไฟฟ้าอาจทำให้คุณได้รับบาดเจ็บ
 15. อย่าทำงานในระยะที่มืดเอี่ยม จัดทำการยืนและการทรงตัวให้เหมาะสมตลอดเวลา เพราะจะทำให้ควบคุมเครื่องมือไฟฟ้าได้ดีขึ้นในสถานการณ์ที่ไม่คาดคิด
 16. แต่งกายให้เหมาะสม อย่าสวมเครื่องแต่งกายที่หลวมเกินไป หรือสวมเครื่องประดับ ดูแลไม่ให้เส้นผม เสื้อผ้า และถุงมืออยู่ใกล้ชิ้นส่วนที่เคลื่อนที่ เสื้อผ้า ร่ม ร่ม เครื่องประดับ หรือผมที่มีความยาวอาจเข้าไปติดในชิ้นส่วนที่เคลื่อนที่
 17. หากมีการจัดอุปกรณ์สำหรับดูแลและจัดเก็บฝุ่นไว้ในสถานที่ ให้ตรวจสอบว่าได้เชื่อมต่อและใช้งานอุปกรณ์นั้นอย่างเหมาะสม การใช้เครื่องดูดและจัดเก็บฝุ่นจะช่วยลดอันตรายที่เกิดจากฝุ่นผงได้

การใช้และดูแลเครื่องมือไฟฟ้า

18. อย่าฝืนใช้เครื่องมือไฟฟ้า ใช้เครื่องมือไฟฟ้าที่เหมาะสมกับการใช้งานของคุณ เครื่องมือไฟฟ้าที่เหมาะสมจะทำงานที่มีประสิทธิภาพและปลอดภัยกว่าตามขีดความสามารถของเครื่องที่ได้รับการออกแบบมา
19. อย่าใช้เครื่องมือไฟฟ้า หากสวิตช์ไม่สามารถเปิดปิดได้ เครื่องมือไฟฟ้าที่ควบคุมด้วยสวิตช์ไม่ได้เป็นสิ่งอันตรายและต้องได้รับการซ่อมแซม
20. ถอดปลั๊กจากแหล่งจ่ายไฟ และ/หรือ ชุดแบตเตอรี่ออกจากเครื่องมือไฟฟ้าก่อนทำการปรับแต่ง เปลี่ยนอุปกรณ์เสริม หรือจัดเก็บเครื่องมือไฟฟ้า วิธีการป้องกันด้านความปลอดภัยดังกล่าวจะช่วยลดความเสี่ยงของการเปิดใช้งานเครื่องมือไฟฟ้าอย่างไม่ตั้งใจ
21. จัดเก็บเครื่องมือไฟฟ้าที่ไม่ได้ใช้งานให้ห่างจากมือเด็ก และอย่าอนุญาตให้บุคคลที่ไม่คุ้นเคยกับเครื่องมือไฟฟ้า หรือคำแนะนำเหล่านี้ใช้งานเครื่องมือไฟฟ้า เครื่องมือไฟฟ้าจะเป็นอันตรายเมื่ออยู่ในมือของผู้ที่ไม่ได้รับการฝึกอบรม

22. การดูแลรักษาเครื่องมือไฟฟ้า ตรวจสอบการประกอบที่ไม่ถูกต้องหรือการเชื่อมต่อของชิ้นส่วนที่เคลื่อนที่ การแตกหักของชิ้นส่วน หรือสภาพอื่น ๆ ที่อาจส่งผลกระทบต่อการทำงานของเครื่องมือไฟฟ้า หากมีความเสียหายให้นำเครื่องมือไฟฟ้าไปซ่อมแซมก่อนการใช้งาน อุบัติเหตุจำนวนมากเกิดจากการดูแลรักษาเครื่องมือไฟฟ้าอย่างไม่ถูกต้อง
23. รับประทานและทำความสะอาดเครื่องมือการตัดอยู่เสมอ เครื่องมือการตัดที่มีการดูแลอย่างถูกต้องและมีขอบการตัดคมมักจะมีความปลอดภัยน้อยและควบคุมได้ง่ายกว่า
24. ใช้เครื่องมือไฟฟ้า อุปกรณ์เสริม และวัสดุสิ้นเปลือง ฯลฯ ตามคำแนะนำดังกล่าว พิจารณาสภาพการทำงานและงานที่จะลงมือทำ การใช้เครื่องมือไฟฟ้าเพื่อทำงานอื่นนอกเหนือจากที่กำหนดไว้อาจทำให้เกิดอันตราย

การบริการ

25. นำเครื่องมือไฟฟ้าเข้ารับบริการจากช่างซ่อมที่ผ่านการรับรองโดยช่างะไหลแบบเดียวกันเท่านั้น เพราะจะทำให้การใช้เครื่องมือไฟฟ้ามีความปลอดภัย
26. ปฏิบัติตามคำแนะนำในการหล่อลื่นและการเปลี่ยนอุปกรณ์เสริม
27. ดูแลมือจับให้แห้ง สะอาด และไม่มีน้ำมันและจาระบีเปื้อน

GE0207-2

คำเตือนด้านความปลอดภัยของเครื่องตัด

1. จับเครื่องมือให้แน่น
2. ยึดชิ้นงานให้แน่น
3. ระวังอย่าให้มือสัมผัสกับชิ้นส่วนที่เคลื่อนที่
4. ขอบและเศษชิ้นงานมีความคม ให้สวมถุงมือ นอกจากนี้ขอแนะนำให้ใส่รองเท้าส้นหนาเพื่อป้องกันการบาดเจ็บ
5. อย่าวางเครื่องมือบนเศษชิ้นงาน ไม่เช่นนั้นอาจทำให้เครื่องมือเสียหายหรือเกิดปัญหาได้
6. อย่าปล่อยให้เครื่องมือทำงานค้างไว้ ใช้งานเครื่องมือในขณะที่ถืออยู่เท่านั้น
7. ตรวจสอบบริเวณที่ยืนให้มีความมั่นคงเสมอ หากใช้งานเครื่องมือในพื้นที่สูง ระวังอย่าให้มีคนอยู่ด้านล่าง
8. ห้ามสัมผัสกับใบมีดหรือชิ้นงานทันทีที่ทำงานเสร็จ เนื่องจากใบมีดหรือชิ้นงานอาจมีความร้อนสูงและลวกผิวหนังของคุณได้
9. ระวังอย่าให้ตัดโดนสายไฟ เนื่องจากอาจทำให้เกิดอุบัติเหตุร้ายแรงจากไฟฟ้าช็อต

บันทึกคำแนะนำเหล่านี้

⚠ คำเตือน:

อย่าให้ความไม่ระมัดระวังหรือความคุ้นเคยกับผลิตภัณฑ์ (จากการใช้งานซ้ำหลายครั้ง) อยู่เหนือการปฏิบัติตามกฎเกณฑ์ด้านความปลอดภัยในการใช้งานผลิตภัณฑ์อย่างเคร่งครัด การปฏิบัติตามอย่างเหมาะสมหรือการไม่ปฏิบัติตามกฎเกณฑ์ด้านความปลอดภัยในคู่มือใช้งานนี้อาจก่อให้เกิดการบาดเจ็บอย่างรุนแรง

คำอธิบายการทำงาน

⚠ ข้อควรระวัง:

- ตรวจสอบให้แน่ใจว่าสวิตช์เครื่องมืออยู่ในตำแหน่งปิดเครื่อง และถอดปลั๊กเครื่องมือออกก่อนปรับตั้งหรือตรวจสอบการทำงานของเครื่องมือ

การทำงานของสวิตช์ (ภาพที่ 1)

⚠ ข้อควรระวัง:

- ก่อนเสียบปลั๊กเครื่องมือ ให้ตรวจสอบว่าสวิตช์สั่งงานสามารถทำงานได้อย่างถูกต้อง และกลับไปไปยังตำแหน่ง "OFF" เมื่อปล่อยเปิดใช้เครื่องมือโดยดึงสวิตช์สั่งงาน ปล่อยสวิตช์สั่งงานเพื่อหยุดทำงาน

ถ้าต้องการใช้งานอย่างต่อเนื่อง ดึงสวิตช์สั่งงานและกดปุ่มล๊อค

ถ้าต้องการเลิกใช้งานเครื่องมือในตำแหน่งล๊อค ให้ดึงสวิตช์สั่งงานจนสุด จากนั้นปล่อยสวิตช์

ความหนาการตัดที่สามารถใช้ได้ (ภาพที่ 2)

ร่องที่ส่วนรอบจะทำหน้าที่เป็นมาตรวัดความหนาสำหรับการตัดแผ่นเหล็กเหนียวหรือแผ่นเหล็กแตนเลส หากวัสดุสามารถใส่ในร่องได้ แสดงว่าความหนาของวัสดุดังกล่าวนั้นอยู่ในเกณฑ์ที่ตัดได้ ความหนาของวัสดุที่สามารถตัดได้จะขึ้นอยู่กับชนิด (ความแข็ง) ของวัสดุ ความหนาสูงสุดที่สามารถตัดได้จะแสดงอยู่ในตารางด้านล่างโดยแบ่งตามชนิดของวัสดุ การพยายามที่จะตัดวัสดุที่หนากว่าที่กำหนดไว้จะทำให้เครื่องมือเสียหาย และ/หรือ เป็นสาเหตุของการบาดเจ็บได้ โปรดอย่าตัดวัสดุที่หนากว่าที่กำหนดไว้ในตาราง

ความสามารถในการตัดสูงสุด	มม.	ga
แผ่นเหล็กสูงสุด 400 นิวตัน/มม. ²	3.2	10
แผ่นเหล็กสูงสุด 600 นิวตัน/มม. ²	2.5	13
แผ่นเหล็กสูงสุด 800 นิวตัน/มม. ²	1.5	17
แผ่นอะลูมิเนียมสูงสุด 200 นิวตัน/มม. ²	4.0	9

006426

การประกอบ

⚠️ ข้อควรระวัง:

- ตรวจสอบให้แน่ใจว่าสวิตช์เครื่องมืออยู่ในตำแหน่งปิดเครื่อง และถอดปลั๊กเครื่องมือออกก่อนดำเนินการใดๆ กับเครื่องมือ

การตรวจสอบใบมีด

ก่อนการใช้เครื่องมือ โปรดตรวจสอบความเสียหายของใบมีด ใบมีดที่ทื่อ หรือชำรุดเสียหายจะส่งผลให้ประสิทธิภาพการตัดไม้ และจะทำให้อายุการใช้งานเครื่องมือสั้นลง

อายุการใช้งานของใบมีดแต่ละประเภทนั้นแตกต่างกันไปตามแต่วัสดุที่ตัดและระยะห่างระหว่าง ใบมีด ตามการประมาณอย่างคร่าวๆ ใบมีดจะสามารถตัดเหล็กเหนียวความหนา 3.2 มม. ได้ 500 ม. สำหรับคมแต่ละด้าน (รวม 2,000 ม. ด้วยคมทั้งสองด้านของใบมีด)

การหมุนหรือการเปลี่ยนใบมีด

ทั้งใบมีดด้านบนและใบมีดด้านล่างจะมีด้านที่คมอยู่สี่ด้านในแต่ละด้าน (ด้านหน้าและด้านหลัง) เมื่อด้านที่คมที่ทื่อ ให้หมุนใบมีดด้านบนและใบมีดด้านล่าง 90° เพื่อใช้ด้านที่คมด้านอื่น เมื่อทั้งแปดด้านของใบมีดทั้งด้านบนและด้านล่างที่ทื่อ ให้เปลี่ยนใบมีดทั้งคู่ด้วยใบมีดใหม่ ทุกๆ ครั้งที่ทำการหมุนหรือเปลี่ยนใบมีด โปรดดำเนินการดังต่อไปนี้

ถอดสลักเกลียวยึดใบมีดออกด้วยประแจหกเหลี่ยมที่นำมาพร้อมเครื่องมือ แล้วจึงหมุนหรือเปลี่ยนใบมีด (ภาพที่ 3)

ติดตั้งใบมีดด้านบนแล้วใช้ประแจหกเหลี่ยมขันสลักเกลียวยึดใบมีดด้านบน กดใบมีดด้านบนเอาไว้ในขณะที่ขัน (ภาพที่ 4)

หลังจากยึดใบมีดด้านบนแล้ว โปรดตรวจสอบให้แน่ใจว่าไม่มีช่องว่างระหว่างใบมีดด้านบนและพื้นผิวของที่ยึดใบมีด (ภาพที่ 5)

แล้วติดตั้งใบมีดด้านล่างเหมือนใบมีดด้านบนโดยปรับระยะห่างระหว่างใบมีดด้านบนและใบมีดด้านล่าง เมื่อทำการปรับ ใบมีดด้านบนควรจะอยู่ในตำแหน่งด้านล่าง (ภาพที่ 6)

ขั้นแรก ให้ขันสลักเกลียวยึดใบมีดด้านล่างให้แน่นพอประมาณแล้วใส่เกจวัดความหนาเพื่อวัดขนาดช่องที่ต้องการ ความหนาการตัดจะแสดงไว้บนเกจวัดความหนา ดังนั้นจึงความอ้างอิงข้อมูลในตารางด้านล่างเพื่อใช้งาน ปรับสลักเกลียวปรับตำแหน่งใบมีดด้านล่างที่ส่วนรอบจนกระทั่งช่องว่างมีขนาดที่สามารถเลื่อนเกจวัดความหนาได้ยาก แล้วขันสลักเกลียวยึดใบมีดด้านล่างให้แน่น ขั้นสุดท้ายขันน็อตหกเหลี่ยมเพื่อยึดสลักเกลียวปรับตำแหน่งใบมีดด้านล่าง (ภาพที่ 7)

ชุดเกจวัดความหนา

ความหนาของวัสดุ	2.3 มม. (14 ga.)	2.5 มม. (13 ga.)	3.2 มม. (10 ga.)
ชุดเกจวัดความหนา	1.0 + 1.5	1.0 + 1.5	1.5 + 2.0

006427

การใช้งาน

การถือวัสดุ (ภาพที่ 8)

ควรใช้ที่ยึดชิ้นงานยึดวัสดุที่จะตัดเข้ากับโต๊ะทำงาน

วิธีการตัด (ภาพที่ 9)

เพื่อการตัดอย่างราบรื่น ให้เอียงเครื่องมือกลับไปด้านหลังเล็กน้อย ในระหว่างที่ตัดไปด้านหลัง

ความกว้างการตัดสูงสุด (ภาพที่ 10)

อย่าใช้งานจนเกินความกว้างการตัดสูงสุดที่กำหนด (A): ครอบความยาว 1,800 มม.

เหล็กเหนียว (ความหนา)	3.2 มม.	น้อยกว่า 2.3 มม.
ความกว้างการตัดสูงสุด (A)	90 มม.	ไม่จำกัด

สแตนเลส (ความหนา)	2.5 มม.	น้อยกว่า 2.0 มม.
ความกว้างการตัดสูงสุด (A)	70 มม.	ไม่จำกัด

006432

รัศมีการตัดต่ำสุด

รัศมีการตัดต่ำสุดคือ 50 มม. เมื่อตัดเหล็กเหนียวหนา 2.3 มม.

การบำรุงรักษา

⚠️ ข้อควรระวัง:

- ตรวจสอบให้แน่ใจว่าได้ปิดสวิตช์เครื่องมือและถอดปลั๊กออกก่อนทำการตรวจสอบหรือบำรุงรักษา
- อย่าใช้น้ำมันเชื้อเพลิง เบนซิน ทินเนอร์ แอลกอฮอล์ หรือวัสดุประเภทเดียวกัน เพราะอาจทำให้เครื่องมือมีสีซีดจาง ผิดรูปทรงหรือแตกหักได้

การเปลี่ยนแปลงคาร์บอน

ถอดแปรงคาร์บอนออกมาตรวจสอบเป็นประจำ เปลี่ยนแปรงคาร์บอนเมื่อสึกหรองถึงขีดจำกัด รักษาแปรงคาร์บอนให้สะอาด และอย่าให้แปรงคาร์บอนหลุดเข้าไปในที่ยึด ควรเปลี่ยนแปลงคาร์บอนทั้งสองแปรงพร้อมกัน ใช้แปรงคาร์บอนที่กำหนดเท่านั้น (ภาพที่ 11)

ใช้ไขควงเพื่อถอดฝาปิดที่ยึดแปรงออก นำแปรงคาร์บอนที่สึกหรองออกมา ใส่แปรงคาร์บอนใหม่เข้าไป และปิดฝาปิดที่ยึดแปรงให้แน่น (ภาพที่ 12)

เพื่อความปลอดภัยและความน่าเชื่อถือของผลิตภัณฑ์ ควรให้ศูนย์บริการที่ผ่านการรับรองจาก Makita เป็นผู้ดำเนินการซ่อมแซม บำรุงรักษา และทำการปรับตั้งอื่นๆ นอกจากนี้ให้ใช้อะไหล่ของแท้จาก Makita เสมอ

อุปกรณ์เสริม

⚠ ข้อควรระวัง:

- ขอแนะนำให้ใช้เฉพาะอุปกรณ์เสริมหรืออุปกรณ์ต่อพ่วงเหล่านี้กับเครื่องมือ Makita ที่ระบุในคู่มือ การใช้อุปกรณ์เสริมหรืออุปกรณ์ต่อพ่วงอื่นๆ อาจมีความเสี่ยงที่จะได้รับบาดเจ็บ ใช้ อุปกรณ์เสริมหรืออุปกรณ์ต่อพ่วงตามวัตถุประสงค์ที่ระบุไว้เท่านั้น

หากคุณต้องการทราบรายละเอียดเกี่ยวกับอุปกรณ์เสริมเหล่านี้ โปรดสอบถามศูนย์บริการ Makita ใกล้บ้านคุณ

- ใบมีด
- ประแจหกเหลี่ยม
- เกจวัดความหนา

หมายเหตุ:

- อุปกรณ์บางรายการอาจรวมอยู่ในชุดอุปกรณ์พื้นฐานของผลิตภัณฑ์ ซึ่งอาจแตกต่างกันไปในแต่ละประเทศ

Makita Corporation

Anjo, Aichi, Japan

www.makita.com

883335-379

TRD