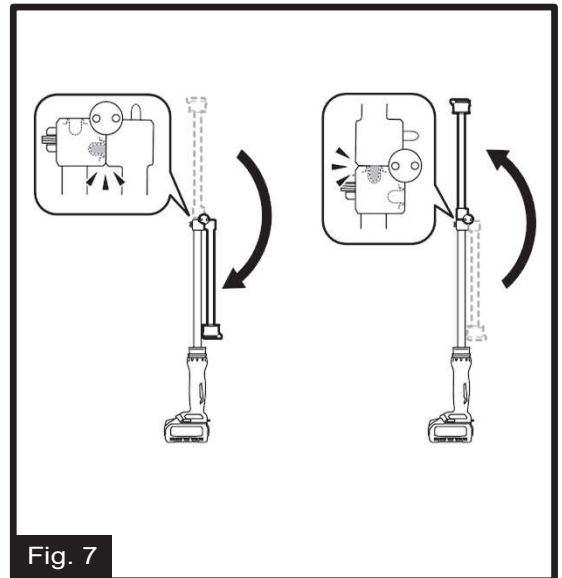
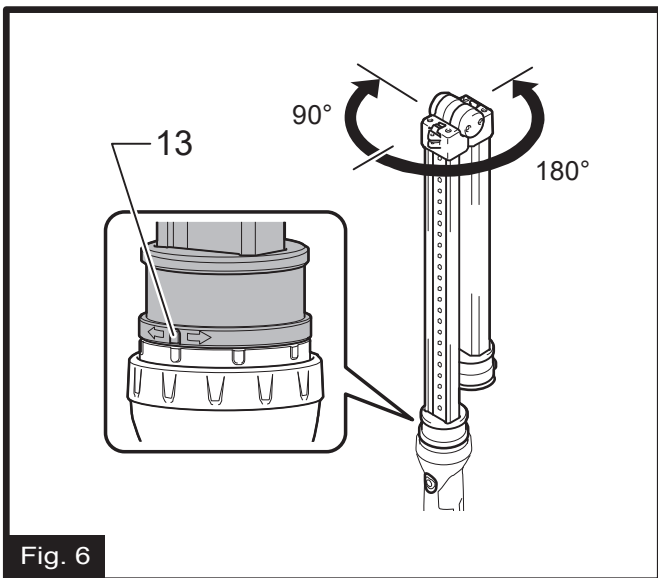
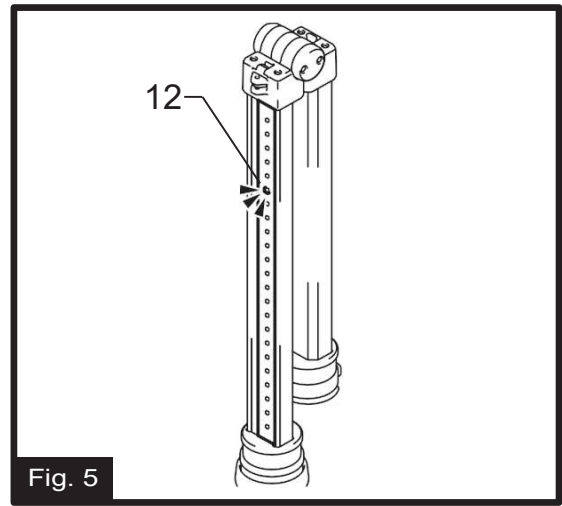
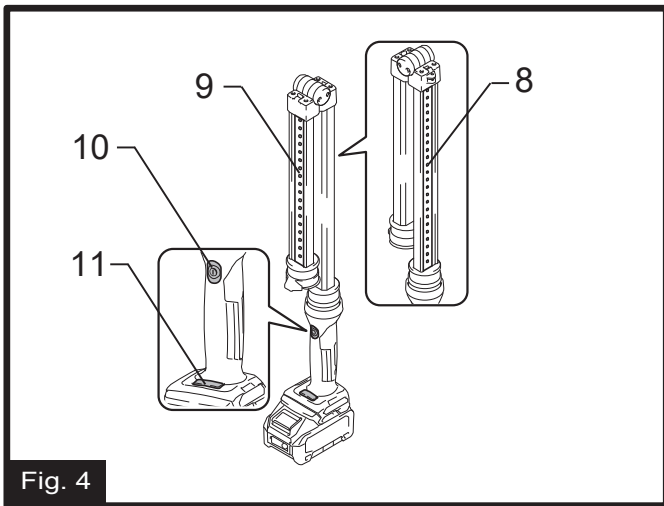
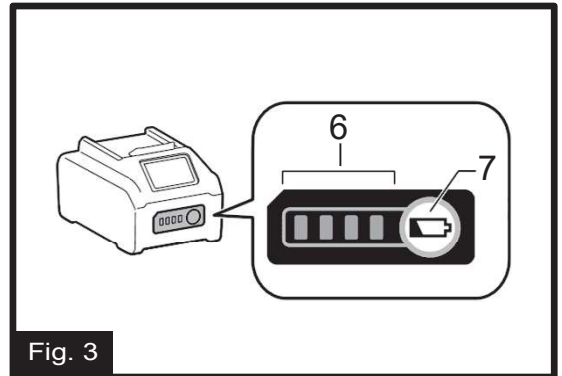
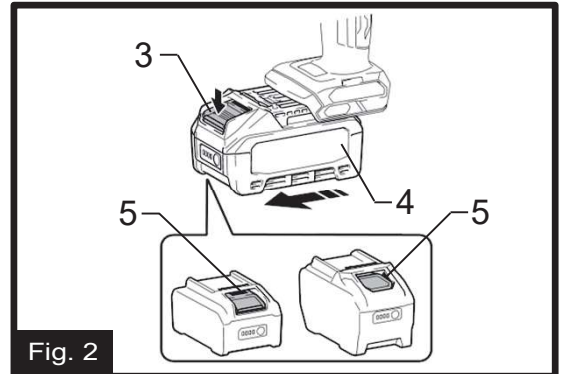
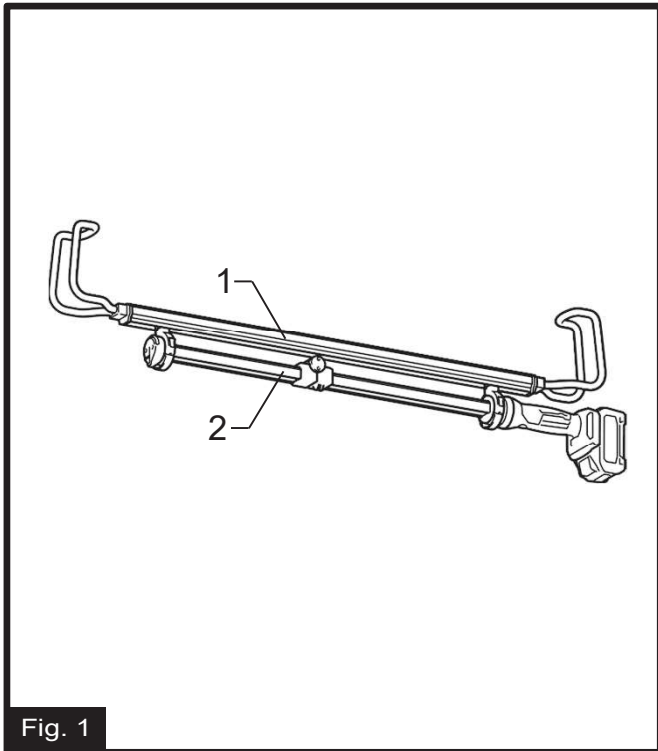
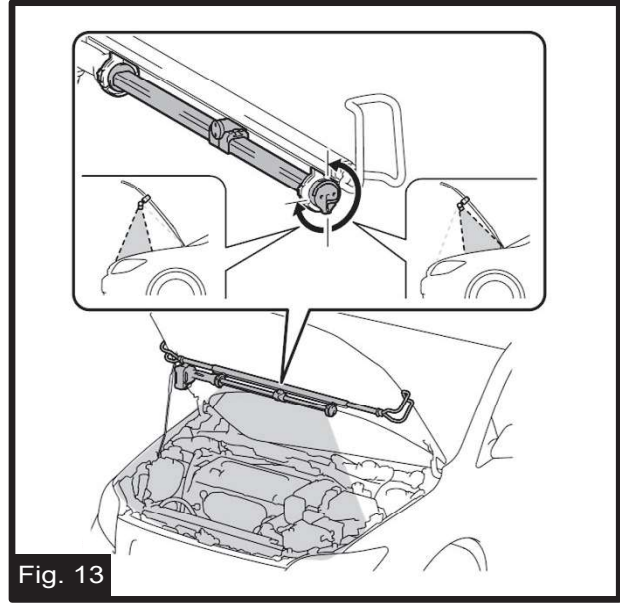
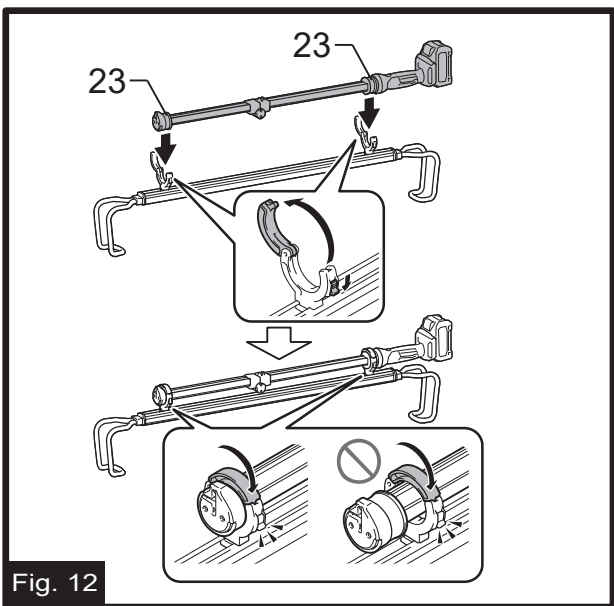
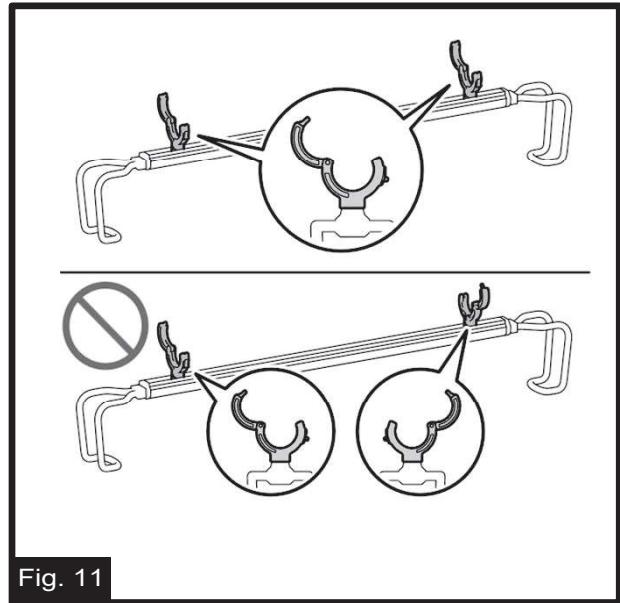
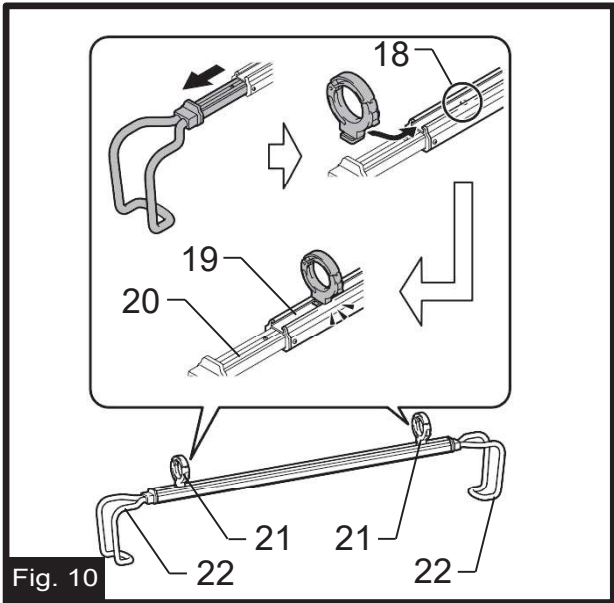
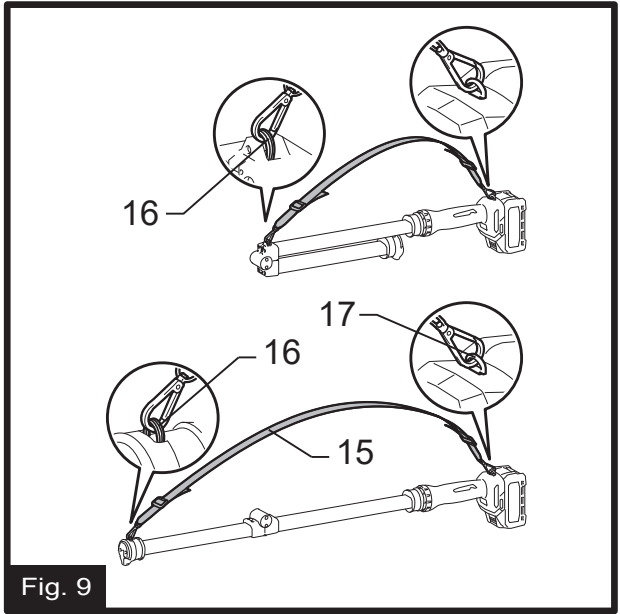


<b>EN</b>	<b>Cordless Bar Light</b>	<b>INSTRUCTION MANUAL</b>	<b>4</b>
<b>FR</b>	<b>Barre d'éclairage sans fil</b>	<b>MANUEL D'INSTRUCTION</b>	<b>9</b>
<b>DE</b>	<b>Akku-Stableuchte</b>	<b>BETRIEBSANLEITUNG</b>	<b>14</b>
<b>IT</b>	<b>Barra luminosa a batteria</b>	<b>ISTRUZIONI PER L'USO</b>	<b>19</b>
<b>NL</b>	<b>Snoerloze Balklamp</b>	<b>GEBRUIKSAANWIJZING</b>	<b>24</b>
<b>ES</b>	<b>Linterna de Barra Inalámbrica</b>	<b>MANUAL DE INSTRUCCIONES</b>	<b>29</b>
<b>PT</b>	<b>Lanterna LED a Bateria</b>	<b>MANUAL DE INSTRUÇÕES</b>	<b>34</b>
<b>DA</b>	<b>Trådløs lampe</b>	<b>BRUGSANVISNING</b>	<b>39</b>
<b>EL</b>	<b>Ασύρματο Φωτιστικό Μπάρας</b>	<b>ΕΓΧΕΙΡΙΔΙΟ ΟΔΗΓΙΩΝ</b>	<b>44</b>
<b>SV</b>	<b>Sladdlös barlampa</b>	<b>BRUKSANVISNING</b>	<b>49</b>
<b>NO</b>	<b>Trådløs lysrampe</b>	<b>BRUKSANVISNING</b>	<b>54</b>
<b>FI</b>	<b>Langaton Palkkivalo</b>	<b>KÄYTTÖOHJE</b>	<b>59</b>
<b>LV</b>	<b>Akumulatora garais lukturis</b>	<b>LIETOŠANAS INSTRUKCIJA</b>	<b>64</b>
<b>LT</b>	<b>Akumuliatorinis juostinis šviestuvus</b>	<b>NAUDOJIMO INSTRUKCIJA</b>	<b>69</b>
<b>ET</b>	<b>Akutoitel töökovalgusti</b>	<b>KASUTUSJUHEND</b>	<b>74</b>
<b>RU</b>	<b>Аккумуляторный фонарь подкапотный</b>	<b>РУКОВОДСТВО ПО ЭКСПЛУАТАЦИИ</b>	<b>79</b>
<b>PL</b>	<b>Akumulatorowa Lampa Warsztatowa LED</b>	<b>INSTRUKCJA OBSŁUGI</b>	<b>84</b>
<b>HU</b>	<b>Újratölthető sávfény</b>	<b>HASZNÁLATI KÉZIKÖNYV</b>	<b>89</b>
<b>SK</b>	<b>Bezdrôtové barové svetlo</b>	<b>NÁVOD NA OBSLUHU</b>	<b>94</b>
<b>CS</b>	<b>Bezdrátové barové světlo</b>	<b>NÁVOD K OBSLUZE</b>	<b>99</b>
<b>UK</b>	<b>Бездротова смуговий світильник</b>	<b>ІНСТРУКЦІЯ З ЕКСПЛУАТАЦІЇ</b>	<b>104</b>
<b>RO</b>	<b>Bară Led cu acumulator</b>	<b>MANUAL DE INSTRUCȚIUNI</b>	<b>109</b>
<b>SL</b>	<b>Brezžična svetlobna palica</b>	<b>NAVODILA ZA UPORABO</b>	<b>114</b>
<b>SQ</b>	<b>Drita e Shiritit pa Kabëll</b>	<b>MANUALI I PËRDORIMIT</b>	<b>119</b>
<b>BG</b>	<b>Безжична бар светлина</b>	<b>РЪКОВОДСТВО ЗА ЕКСПЛОАТАЦИЯ</b>	<b>124</b>
<b>HR</b>	<b>Bežična LED svjetiljka</b>	<b>PRIRUČNIK S UPUTAMA</b>	<b>129</b>
<b>MK</b>	<b>Светилка без кабел</b>	<b>УПАТСТВО ЗА УПОТРЕБА</b>	<b>134</b>
<b>SR</b>	<b>Бежична LED лампа</b>	<b>УПУТСТВО ЗА УПОТРЕБУ</b>	<b>139</b>
<b>TR</b>	<b>Kordonsuz Çubuk Işığı</b>	<b>KULLANMA KILAVUZU</b>	<b>144</b>
<b>ZHTW</b>	<b>充電式直形工作燈</b>	<b>使用說明書</b>	<b>149</b>





## ENGLISH (Original instructions)

1	Telescopic hook	2	LED light bar	3	Button	4	Battery cartridge	5	Red indicator	6	Indicator lamp	7	Check button	8	Fixed light part (LED-24 pcs)
9	Foldable light part (LED-18 pcs)	10	Switch	11	Mode selector	12	Low battery indicator	13	Movable part	14	Metal hook	15	Strap	16	Ring
17	Strap hole	18	Carrier clip positioning hole	19	Main bar	20	Inner bar	21	Carrier clip	22	Holder hook	23	Clipped position		

## SPECIFICATIONS

Model:		ML012G
Light	Luminous flux (H/M/L)	1,700 lm /800 lm /400 lm
	Dimensions (L × W × H) (without battery cartridge)	972 mm × 85 mm × 100 mm
	Rated voltage	D.C. 36 V - 40 V max
	Net weight (without battery cartridge)	1.1 kg
Telescopic hook	Dimensions (L × W × H) (with clips)	1,181 mm × 99 mm × 259 mm
	Net weight (with clips)	1.5 kg
	Available width *	1,130 mm - 1,900 mm

- Specifications may differ from country to country.
- Due to our continuing program of research and development, the specifications herein are subject to change without notice.
- \* Actual available width may differ depending on the location and shape.

## Applicable battery cartridge and charger

Battery cartridge	BL4020 / BL4025 / BL4025F / BL4040 / BL4040F / BL4050F / BL4080F
Charger	DC40RA / DC40RB / DC40RC / DC40WA

- Some of the battery cartridges listed above may not be available depending on your region of residence.

**⚠ WARNING: Only use the battery cartridges listed above.** Use of any other battery cartridges may cause injury and/or fire.

## Operating time

Applicable battery cartridge	Operating time (Approximately)		
	Whole light (LED-42 pcs)		
	High	Medium	Low
BL4020	3.5 hours	7.5 hours	16 hours
BL4025/BL4025F	4.5 hours	9.5 hours	20 hours
BL4040/BL4040F	7.0 hours	15 hours	32 hours
BL4050F	8.5 hours	19 hours	40 hours
BL4080F	14 hours	31 hours	65 hours

- The operating times in the above table are a rough guideline. They may differ from actual operating times.
- Battery cartridge may differ from country to country.
- Operating times may differ depending on battery type, charging status, and usage condition.

## Symbols

The following show the symbols which may be used for the equipment. Be sure that you understand their meaning before use.



- Read instruction manual.



- Only for EU countries Due to the presence of hazardous components in the equipment, waste electrical and electronic equipment, accumulators and batteries may have a negative impact on the environment and human health. Do not dispose of electrical and electronic appliances or batteries with household waste! In accordance with the European Directive on waste electrical and electronic equipment and on accumulators and batteries and waste accumulators and batteries, as well as their adaptation to national law, waste electrical equipment, batteries and accumulators should be stored separately and delivered to a separate collection point for municipal waste, operating in accordance with the regulations on environmental protection. This is indicated by the symbol of the crossed-out wheeled bin placed on the equipment.



- Optical Radiation (UV and IR). Minimize exposure to eyes or skin.



- Do not stare at operating lamp.



- Use appropriate shielding or eyes protection.



- Take particular care and attention!



- For indoor use only

## IMPORTANT SAFETY INSTRUCTIONS

### **WARNING:**

To reduce the risk of injury, do not stare at operating appliances. Serious eye injury could occur.

### **CAUTION:**

When using appliances, basic safety precautions should always be followed to reduce the risk of fire, electric shock, and personal injury, including the following:

## READ ALL INSTRUCTIONS.

1. To reduce the risk of injury, close supervision is necessary when the appliance is used near children.
2. To reduce the risk of electrical shock, do not put the appliance in water or other liquid. Do not place or store the appliance where it can fall or be pulled into a tub or sink.
3. Do not cover the appliance with cloth or carton, etc. Otherwise it may cause a flame.
4. Do not touch the inside of the appliance with tweezers, metal tools, etc.
5. Do not expose the appliance to rain or snow. Do not wash it in water.
6. Do not touch the inside of the appliance with tweezers, metal tools, etc.
7. Do not contact hot parts.
8. When the appliance is not in use, always switch off and remove the battery cartridge from the appliance.
9. Do not give the appliance a shock by dropping, striking, etc.
10. Only use attachments recommended or sold by the manufacturer.
11. Store product indoors when not in use. Keep out of reach of children.
12. Safety information for portable luminaires with batteries.
  - Battery disposal should be in compliance with your local regulations that address the disposal of hazardous materials.
  - Do not incinerate the battery.
13. Additional information for luminaires.
  - The light source of this luminaire is not replaceable; when the light source reaches its end of life the whole luminaire shall be replaced.
14. Battery tool use and care.
  - **WARNING:** Read all safety warnings and instructions. Failure to follow the warnings and instructions may result in electric shock, fire and/or serious injury.
  - Prevent unintentional starting. Ensure the switch is in the off-position before connecting to battery pack, picking up or carrying the appliance. Carrying the appliance with your finger on the switch or energizing appliance that have the switch on invites accidents.
  - Disconnect the battery pack from the appliance before making any adjustments, changing accessories, or storing appliance. Such preventive safety measures reduce the risk of starting the appliance accidentally.
  - Recharge only with the charger specified by the manufacturer. A charger that is suitable for one type of battery pack may create a risk of fire when used with another battery pack.
  - Use appliances only with specifically designated battery packs. Use of any other battery packs may create a risk of injury and fire.
  - When battery pack is not in use, keep it away from other metal objects, like paper clips, coins, keys, nails, screws or other small metal objects, that can make a connection from one terminal to another. Shorting the battery terminals together may cause burns or a fire.
  - Under abusive conditions, liquid may be ejected from the battery; avoid contact. If contact accidentally occurs, flush with water. If liquid contacts eyes, additionally seek medical help. Liquid ejected from the battery may cause irritation or burns.
  - Do not use a battery pack or appliance that is damaged or modified. Damaged or modified batteries may exhibit unpredictable behavior resulting in fire, explosion or risk of injury.
  - Do not expose a battery pack or appliance to fire or excessive temperature. Exposure to fire or temperature above 130 °C (265 °F) may cause explosion.
  - Follow all charging instructions and do not charge the battery pack or appliance outside of the temperature range specified in the instructions. Charging improperly or at temperatures outside of the specified range may damage the battery and increase the risk of fire.
  - Have servicing performed by a qualified repair person using only identical replacement parts. This will ensure that the safety of the product is maintained.

- Do not modify or attempt to repair the appliance or the battery pack except as indicated in the instructions for use and care.
15. Important safety instructions for battery cartridge.
- Before using battery cartridge, read all instructions and cautionary markings on (1) battery charger, (2) battery, and (3) product using battery.
  - Do not disassemble or tamper with the battery cartridge. It may result in a fire, excessive heat, or explosion.
  - If operating time has become excessively shorter, stop operating immediately. It may result in a risk of overheating, possible burns and even an explosion.
  - If electrolyte gets into your eyes, rinse them out with clear water and seek medical attention right away. It may result in loss of your eyesight.
  - Do not short the battery cartridge.
  - Do not store and use the tool and battery cartridge in locations where the temperature may reach or exceed 50 °C (122 °F).
  - Do not incinerate the battery cartridge even if it is severely damaged or is completely worn out. The battery cartridge can explode in a fire.
  - Do not nail, cut, crush, throw, drop the battery cartridge, or hit against a hard object to the battery cartridge. Such conduct may result in a fire, excessive heat, or explosion.
  - Do not use a damaged battery.
  - The contained lithium-ion batteries are subject to the Dangerous Goods Legislation requirements. For commercial transports e.g. by third parties, forwarding agents, special requirement on packaging and labeling must be observed. For preparation of the item being shipped, consulting an expert for hazardous material is required. Please also observe possibly more detailed national regulations. Tape or mask off open contacts and pack up the battery in such a manner that it cannot move around in the packaging.
  - Use the batteries only with the products specified by Makita. Installing the batteries to non-compliant products may result in a fire, excessive heat, explosion, or leak of electrolyte.
  - If the tool is not used for a long period of time, the battery must be removed from the tool.
  - During and after use, the battery cartridge may take on heat which can cause burns or low temperature burns. Pay attention to the handling of hot battery cartridges.
  - Do not touch the terminal of the tool immediately after use as it may get hot enough to cause burns.
  - Do not allow chips, dust, or soil stuck into the terminals, holes, and grooves of the battery cartridge. It may result in poor performance or breakdown of the tool or battery cartridge.
  - Unless the tool supports the use near high-voltage electrical power lines, do not use the battery cartridge near high-voltage electrical power lines. It may result in a malfunction or breakdown of the tool or battery cartridge.
  - Keep the battery away from children.

## SAVE THESE INSTRUCTIONS.

**⚠ CAUTION:** Only use genuine Makita batteries. Use of non-genuine Makita batteries, or batteries that have been altered, may result in the battery bursting causing fires personal injury and damage. It will also void the Makita warranty for the Makita tool and charger.

### 16. Tips for maintaining maximum battery life.

- Charge the battery cartridge before completely discharged.  
Always stop tool operation and charge the battery cartridge when you notice less tool power.
- Never recharge a fully charged battery cartridge. Overcharging shortens the battery service life.
- Charge the battery cartridge with room temperature at 10 °C - 40 °C (50 °F - 104 °F). Let a hot battery cartridge cool down before charging it.
- When not using the battery cartridge, remove it from the tool or the charger.
- Charge the battery cartridge if you do not use it for a long period (more than six months).

## FUNCTIONAL DESCRIPTION

**⚠ CAUTION:**  
Always be sure that the appliance is switched off, and the battery cartridge is removed before adjusting or checking function on the appliance.

## Installing or removing battery cartridge (Fig. 2)

**⚠ CAUTION:**  
Always switch off the appliance before installing or removing the battery cartridge.

**⚠ CAUTION:**  
**Hold the appliance and the battery cartridge firmly when installing or removing battery cartridge.**  
Failure to hold the appliance and the battery cartridge firmly may cause them to slip off your hands and result in damage to the appliance and battery cartridge and a personal injury.

To install the battery cartridge, align the tongue on the battery cartridge with the groove in the housing and slip it into place. Insert it all the way until it locks in place with a little click. If you can see the red indicator as shown in the figure, it is not locked completely. To remove the battery cartridge, slide it from the appliance while sliding the button on the front of the cartridge.

**⚠ CAUTION:**  
Always install the battery cartridge fully until the red indicator cannot be seen. If not, it may accidentally fall out of the appliance, causing injury to you or someone around you.

**⚠ CAUTION:**  
Do not install the battery cartridge forcibly. If the cartridge does not slide in easily, it is not being inserted correctly.

## Indicating the remaining battery capacity (Fig. 3)

Press the check button on the battery cartridge to indicate the remaining battery capacity. The indicator lamps light up for a few seconds.

Indicator lamps			Remaining capacity
Lighted	Off	Blinking	
■	□	▬	75% to 100%
■	■	■	
■	■	□	50% to 75%
■	□	□	25% to 50%
■	□	□	0% to 25%
▬	□	□	Charge the battery.
■	■	□	The battery may have malfunctioned.
□	□	■	

### NOTE:

Depending on the conditions of use and the ambient temperature, the indication may differ slightly from the actual capacity.

### NOTE:

The first (far left) indicator lamp will blink when the battery protection system works.

## Appliance / battery protection system

The appliance is equipped with the protection system, which automatically cuts off the output power for long service life.

### Overdischarge protection

When the battery capacity is not enough, the appliance stops automatically. In this case, remove the battery from the appliance and charge the battery.

### Protections against other causes

Protection system is also designed for other causes that could damage the appliance and allows the appliance to stop automatically. Take all the following steps to clear the causes, when the appliance has been brought to a temporary halt or stop in operation.

1. Turn the appliance off, and then turn it on again to restart.
2. Charge the battery(ies) or replace it/them with recharged battery(ies).
3. Let the appliance and battery(ies) cool down.

If no improvement can be found by restoring protection system, then contact your local Makita Service Center.

## Turning on the light and brightness mode selection (Fig. 4)

### ⚠ CAUTION:

Do not look in the light or see the source of light directly.

1. Switch: Brightness sequence is: High mode(On) / Medium mode / Low mode / Off for each press.
2. Mode selector: Light up sequence is: Whole Light / Fixed light part / Foldable light part for each press when the switch is on.

### NOTE:

When you switch on the appliance, it will be turned on the same light mode as the last time you use.

## Low battery indicator (Fig. 5)

When the battery becomes low, the LED lights go out except one LED light as illustrated. Then approximately five to ten minutes later, the appliance automatically turns off.

## OPERATION

### ⚠ CAUTION:

Rotate the LED light bar and fold down the foldable light part to stabilise the balance of the appliance when you put the appliance in upright position as shown in fig.4. Otherwise, the appliance may fall over and personal injury occur.

## LED light bar angle (Fig. 6, Fig. 7)

### ⚠ CAUTION:

Take care not to trap finger(s) when adjusting the angle of the light.

### ⚠ CAUTION:

Make sure the fixed and foldable light part to be locked together firmly in folding and unfolding positions respectively.

The LED light bar can be rotated in seven stages for every 45°. (90° to the right and 180° to the left)  
The foldable light part can be bent to 0° or 180°.

## Metal hook (Fig. 8)

Raise and slide the metal hook to center position when using the metal hook.

## Strap (Fig. 9)

### ⚠ CAUTION:

Do not use the ring and strap hole for any purpose other than installing the strap. Otherwise personal injury may occur.

Install the strap on the appliance as illustrated.

## Installing carrier clips into telescopic hook (Fig. 10, Fig. 11)

### CAUTION:

Take care not to pinch finger(s) when installing the carrier clips into telescopic hook.

Install the carrier clips into telescopic hook as illustrated.

### NOTE:

Make sure each carrier clip is slid to the carrier clip positioning hole on the main bar.

### NOTE:

Make sure the two carrier clips in the same direction installation.

## Installing appliance on telescopic hook (Fig. 12)

Install the appliance on the telescopic hook by the carrier clips as illustrated.

### NOTE:

Make sure each carrier clip holds the clipped position of the appliance.

## Mounting telescopic hook (Fig. 13)

### CAUTION:

Do not hang anything other than the appliance on the telescopic hook. Otherwise the holder hooks would be damaged and personal injury may occur.

### CAUTION:

Make sure every part is fixed securely before use.

### CAUTION:

Operate by holding the main bar and the holder hooks when mounting the telescopic hook. Take care not to pinch your hands and fingers because the inner bar is returned to its original position by the force of the springs.

Hold one holder hook to mount it onto where you want.

Hold another one of holder hook while extending the telescopic hook to mount it onto the desired location(another side).

Switch on the appliance and adjust the illumination angle of the appliance to illuminate the desired location as illustrated.

### NOTICE:

If you use the heavy battery, rotate only the LED light bar for adjustment of illumination angle.

## MAINTENANCE

### CAUTION:

Always be sure that the appliance is switched off, and the battery cartridge is removed before attempting to perform inspection or maintenance.

### NOTICE:

Never use gasoline, benzine, thinner, alcohol or the like. Discoloration, deformation or cracks may result.

To maintain product SAFETY and RELIABILITY, repairs, any other maintenance or adjustment should be performed by Makita Authorized or Factory Service Centers, always using Makita replacement parts.

## Cleaning

### CAUTION:

Never wash the appliance in water.

From time to time wipe off the outside of the appliance (appliance body) using a cloth dampened in soapywater.

## OPTIONAL ACCESSORIES

### CAUTION:

These accessories or attachments are recommended for use with your Makita appliance specified in this manual. The use of any other accessories or attachments might present a risk of injury to persons. Only use accessory or attachment for its stated purpose.

If you need any assistance for more details regarding these accessories, ask your local Makita service center.

- Makita genuine battery and charger

### NOTE:

Some items in the list may be included in the appliance package as standard accessories. They may differ from country to country.