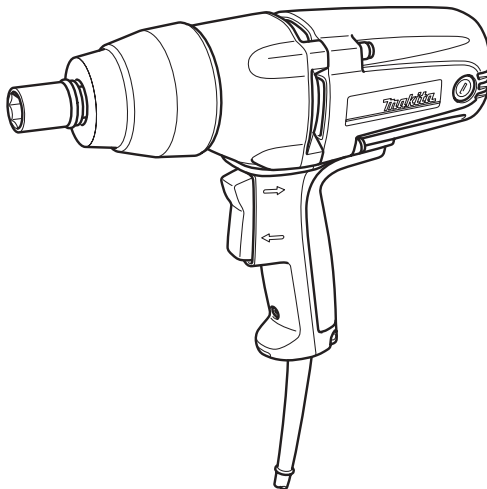
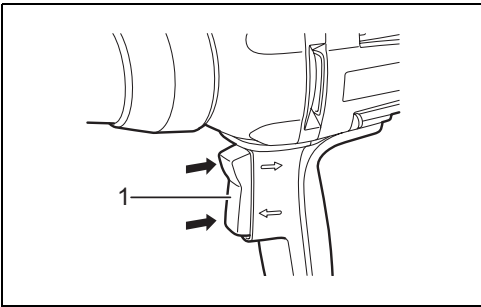




<b>GB</b> Impact Wrench	Instruction manual
<b>ID</b> Kunci Hentam	Petunjuk penggunaan
<b>VI</b> Máy vặn ốc	Tài liệu hướng dẫn
<b>TH</b> ประแจกระแทก	คู่มือการใช้งาน

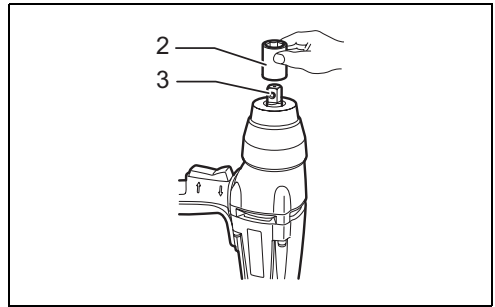
**TW0350**





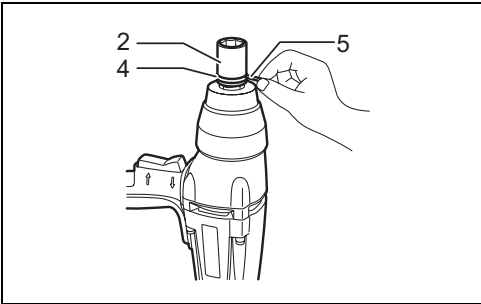
1

004006



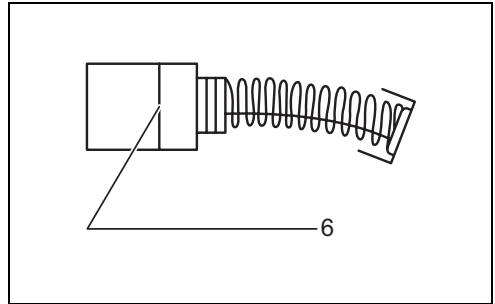
2

004007



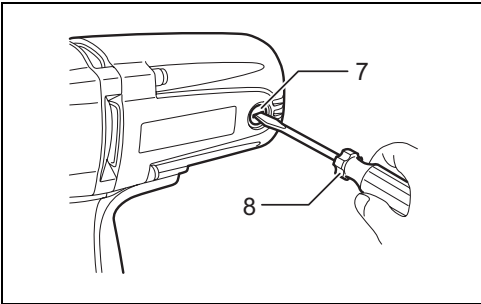
3

004008



4

001145



5

004011

**Explanation of general view**

- |                   |               |                     |
|-------------------|---------------|---------------------|
| 1. Switch trigger | 4. O-ring     | 7. Brush holder cap |
| 2. Socket         | 5. Pin        | 8. Screwdriver      |
| 3. Anvil          | 6. Limit mark |                     |

**SPECIFICATIONS**

Model		TW0350
Capacities	Standard bolt	M12 - M22
	High tensile bolt	M12 - M16
Square drive		12.7 mm
No load speed (min <sup>-1</sup> )		2,000
Impacts per minute		2,000
Max. fastening torque		350 N·m
Overall length		283 mm
Net weight		3.0 kg
Safety class		□/II

- Due to our continuing programme of research and development, the specifications herein are subject to change without notice.
- Specifications may differ from country to country.
- Weight according to EPTA-Procedure 01/2003

END201-5

**Symbols**

The following show the symbols used for the equipment. Be sure that you understand their meaning before use.



.... Read instruction manual.



..... DOUBLE INSULATION

**Intended use**

The tool is intended for fastening bolts and nuts.

ENE036-1

**Power supply**

The tool should be connected only to a power supply of the same voltage as indicated on the nameplate, and can only be operated on single-phase AC supply. They are double-insulated and can, therefore, also be used from sockets without earth wire.

ENF002-2

**General Power Tool Safety Warnings**

**⚠ WARNING! Read all safety warnings and all instructions.** Failure to follow the warnings and instructions may result in electric shock, fire and/or serious injury.

GEA005-3

**Save all warnings and instructions for future reference.**

The term “power tool” in the warnings refers to your mains-operated (corded) power tool or battery-operated (cordless) power tool.

**Work area safety**

1. **Keep work area clean and well lit.** Cluttered or dark areas invite accidents.
2. **Do not operate power tools in explosive atmospheres, such as in the presence of flammable liquids, gases or dust.** Power tools create sparks which may ignite the dust or fumes.
3. **Keep children and bystanders away while operating a power tool.** Distractions can cause you to lose control.

**Electrical safety**

4. **Power tool plugs must match the outlet. Never modify the plug in any way. Do not use any adapter plugs with earthed (grounded) power tools.** Unmodified plugs and matching outlets will reduce risk of electric shock.
5. **Avoid body contact with earthed or grounded surfaces such as pipes, radiators, ranges and refrigerators.** There is an increased risk of electric shock if your body is earthed or grounded.
6. **Do not expose power tools to rain or wet conditions.** Water entering a power tool will increase the risk of electric shock.

7. **Do not abuse the cord. Never use the cord for carrying, pulling or unplugging the power tool. Keep cord away from heat, oil, sharp edges or moving parts.** Damaged or entangled cords increase the risk of electric shock.
8. **When operating a power tool outdoors, use an extension cord suitable for outdoor use.** Use of a cord suitable for outdoor use reduces the risk of electric shock.
9. **If operating a power tool in a damp location is unavoidable, use a residual current device (RCD) protected supply.** Use of an RCD reduces the risk of electric shock.
10. **Use of power supply via a RCD with a rated residual current of 30 mA or less is always recommended.**

#### Personal safety

11. **Stay alert, watch what you are doing and use common sense when operating a power tool. Do not use a power tool while you are tired or under the influence of drugs, alcohol or medication.** A moment of inattention while operating power tools may result in serious personal injury.
12. **Use personal protective equipment. Always wear eye protection.** Protective equipment such as dust mask, non-skid safety shoes, hard hat, or hearing protection used for appropriate conditions will reduce personal injuries.
13. **Prevent unintentional starting. Ensure the switch is in the off-position before connecting to power source and/or battery pack, picking up or carrying the tool.** Carrying power tools with your finger on the switch or energising power tools that have the switch on invites accidents.
14. **Remove any adjusting key or wrench before turning the power tool on.** A wrench or a key left attached to a rotating part of the power tool may result in personal injury.
15. **Do not overreach. Keep proper footing and balance at all times.** This enables better control of the power tool in unexpected situations.
16. **Dress properly. Do not wear loose clothing or jewellery. Keep your hair, clothing, and gloves away from moving parts.** Loose clothes, jewellery or long hair can be caught in moving parts.
17. **If devices are provided for the connection of dust extraction and collection facilities, ensure these are connected and properly used.** Use of dust collection can reduce dust-related hazards.

#### Power tool use and care

18. **Do not force the power tool. Use the correct power tool for your application.** The correct power tool will do the job better and safer at the rate for which it was designed.
19. **Do not use the power tool if the switch does not turn it on and off.** Any power tool that cannot be controlled with the switch is dangerous and must be repaired.
20. **Disconnect the plug from the power source and/or the battery pack from the power tool before making any adjustments, changing accessories, or storing power tools.** Such preventive safety

measures reduce the risk of starting the power tool accidentally.

21. **Store idle power tools out of the reach of children and do not allow persons unfamiliar with the power tool or these instructions to operate the power tool.** Power tools are dangerous in the hands of untrained users.
22. **Maintain power tools. Check for misalignment or binding of moving parts, breakage of parts and any other condition that may affect the power tool's operation. If damaged, have the power tool repaired before use.** Many accidents are caused by poorly maintained power tools.
23. **Keep cutting tools sharp and clean.** Properly maintained cutting tools with sharp cutting edges are less likely to bind and are easier to control.
24. **Use the power tool, accessories and tool bits etc. in accordance with these instructions, taking into account the working conditions and the work to be performed.** Use of the power tool for operations different from those intended could result in a hazardous situation.

#### Service

25. **Have your power tool serviced by a qualified repair person using only identical replacement parts.** This will ensure that the safety of the power tool is maintained.
26. **Follow instruction for lubricating and changing accessories.**
27. **Keep handles dry, clean and free from oil and grease.**

GEB009-6

## IMPACT WRENCH SAFETY WARNINGS

1. **Hold power tool by insulated gripping surfaces, when performing an operation where the fastener may contact hidden wiring or its own cord.** Fasteners contacting a "live" wire may make exposed metal parts of the power tool "live" and could give the operator an electric shock.
2. **Wear ear protectors.**
3. **Check the socket carefully for wear, cracks or damage before installation.**
4. **Hold the tool firmly.**
5. **Always be sure you have a firm footing. Be sure no one is below when using the tool in high locations.**
6. **The proper fastening torque may differ depending upon the kind or size of the bolt. Check the torque with a torque wrench.**

## SAVE THESE INSTRUCTIONS.

#### WARNING:

**DO NOT let comfort or familiarity with product (gained from repeated use) replace strict adherence to safety rules for the subject product. MISUSE or failure to follow the safety rules stated in this instruction manual may cause serious personal injury.**

# FUNCTIONAL DESCRIPTION

## ⚠ CAUTION:

- Always be sure that the tool is switched off and unplugged before adjusting or checking function on the tool.

## Switch action (Fig. 1)

### ⚠ CAUTION:

- Before plugging in the tool, always check to see that the switch trigger actuates properly and returns to the "OFF" position when released.
- Change the direction of rotation only when the tool comes to a complete stop. Changing it before the tool stops may damage the tool.

The switch is reversible, providing either clockwise or counterclockwise rotation. To start the tool, simply pull the lower part of the switch trigger for clockwise or the upper part for counterclockwise. Release the switch trigger to stop.

# ASSEMBLY

## ⚠ CAUTION:

- Always be sure that the tool is switched off and unplugged before carrying out any work on the tool.

## Selecting correct socket

Always use the correct size socket for bolts and nuts. An incorrect size socket will result in inaccurate and inconsistent fastening torque and/or damage to the bolt or nut.

## Installing or removing socket

### ⚠ CAUTION:

- Always be sure that the tool is switched off and unplugged before installing or removing the socket.

### For socket without O-ring and pin (Fig. 2)

To install the socket, push it onto the anvil of the tool until it locks into place.

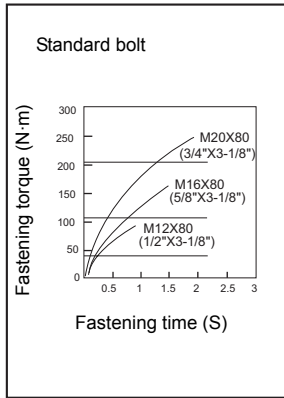
To remove the socket, simply pull it off.

### For socket with O-ring and pin (Fig. 3)

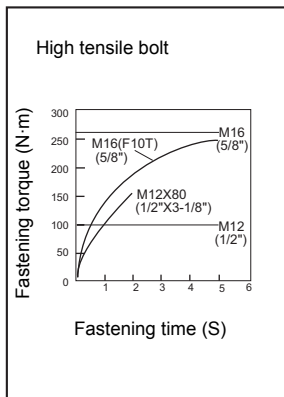
Move the O-ring out of the groove in the socket and remove the pin from the socket. Fit the socket onto the anvil of the tool so that the hole in the socket is aligned with the hole in the anvil. Insert the pin through the hole in the socket and anvil. Then return the O-ring to the original position in the socket groove to retain the pin. To remove the socket, follow the installation procedures in reverse.

# OPERATION

The proper fastening torque may differ depending upon the kind or size of the bolt, the material of the workpiece to be fastened, etc. The relation between fastening torque and fastening time is shown in the figures.



004009



004010

Hold the tool firmly and place the socket over the bolt or nut. Turn the tool on and fasten for the proper fastening time.

## NOTE:

- When fastening screw M12 or smaller, carefully adjust pressure on the switch so that the screw is not damaged.
- Hold the tool pointed straight at the bolt or nut without applying excessive pressure on the tool.
- If you fasten the bolt for a time longer than shown in the figures, the bolt or the socket may be overstressed, damaged, etc. Before starting your job, always perform a test operation to determine the proper fastening time for your bolt. Especially for the bolt over than M12, perform the above test operation to prevent the trouble on socket or bolt, etc.

The fastening torque is affected by a wide variety of factors including the following. After fastening, always check the torque with a torque wrench.

1. Voltage
  - Voltage drop will cause a reduction in the fastening torque.
2. Socket
  - Failure to use the correct size socket will cause a reduction in the fastening torque.

- A worn socket (wear on the hex end or square end) will cause a reduction in the fastening torque.
3. Bolt
    - Even though the torque coefficient and the class of bolt are the same, the proper fastening torque will differ according to the diameter of bolt.
    - Even though the diameters of bolts are the same, the proper fastening torque will differ according to the torque coefficient, the class of bolt and the bolt length.
  4. The use of the universal joint or the extension bar somewhat reduces the fastening force of the impact wrench. Compensate by fastening for a longer period of time.
  5. The manner of holding the tool or the material of driving position to be fastened will affect the torque.

## MAINTENANCE

### CAUTION:

- Always be sure that the tool is switched off and unplugged before attempting to perform inspection or maintenance.
- Never use gasoline, benzine, thinner, alcohol or the like. Discoloration, deformation or cracks may result.

### Replacing carbon brushes

Remove and check the carbon brushes regularly. Replace when they wear down to the limit mark. Keep the carbon brushes clean and free to slip in the holders. Both carbon brushes should be replaced at the same time. Use only identical carbon brushes. **(Fig. 4)**

Use a screwdriver to remove the brush holder caps. Take out the worn carbon brushes, insert the new ones and secure the brush holder caps. **(Fig. 5)**

To maintain product SAFETY and RELIABILITY, repairs, any other maintenance or adjustment should be performed by Makita Authorized Service Centers, always using Makita replacement parts.

## OPTIONAL ACCESSORIES

### CAUTION:

- These accessories or attachments are recommended for use with your Makita tool specified in this manual. The use of any other accessories or attachments might present a risk of injury to persons. Only use accessory or attachment for its stated purpose.

If you need any assistance for more details regarding these accessories, ask your local Makita Service Center.

- Sockets
- Extension bar
- Universal joint

### NOTE:

- Some items in the list may be included in the tool package as standard accessories. They may differ from country to country.

**Penjelasan tampilan keseluruhan**

- |                  |                |                       |
|------------------|----------------|-----------------------|
| 1. Saklar pemacu | 4. Cincin-O    | 7. Tutup tempat sikat |
| 2. Soket         | 5. Pasak       | 8. Obeng              |
| 3. Landasan      | 6. Tanda batas |                       |

**SPEKIFIKASI**

Model		TW0350
Kapasitas	Baut standar	M12 - M22
	Baut mutu tinggi	M12 - M16
Kepala persegi		12,7 mm
Kecepatan tanpa beban (min <sup>-1</sup> )		2.000
Hentakan per menit		2.000
Torsi pengencangan maks.		350 N·m
Panjang keseluruhan		283 mm
Berat bersih		3,0 kg
Kelas keamanan		□/II

- Karena kesinambungan program penelitian dan pengembangan kami, spesifikasi yang disebutkan di sini dapat berubah tanpa pemberitahuan.
- Spesifikasi dapat berbeda dari satu negara ke negara lainnya.
- Berat menurut Prosedur EPTA 01/2003

END201-5

**Simbol**

Berikut ini adalah simbol-simbol yang digunakan pada peralatan ini.  
Pastikan Anda mengerti makna masing-masing simbol sebelum menggunakan alat.



..... Baca petunjuk penggunaan.



..... ISOLASI GANDA

ENE036-1

**Penggunaan**

Mesin ini digunakan untuk mengencangkan baut dan mur.

ENF002-2

**Pasokan daya**

Mesin harus terhubung dengan pasokan daya listrik yang bervoltase sama dengan yang tertera pada pelat nama, dan hanya dapat dijalankan dengan listrik AC fase tunggal. Mesin diisolasi ganda dan oleh sebab itu dapat dihubungkan dengan soket tanpa arde.

GEA005-3

**Peringatan Keselamatan Umum Mesin Listrik**

**⚠ PERINGATAN! Bacalah semua peringatan keselamatan dan semua petunjuk.** Kelalaian mematuhi peringatan dan petunjuk dapat menyebabkan sengatan listrik, kebakaran dan/atau cedera serius.

**Simpanlah semua peringatan dan petunjuk untuk acuan di masa depan.**

Istilah “mesin listrik” dalam semua peringatan mengacu pada mesin listrik yang dijalankan dengan sumber listrik jala-jala (berkabel) atau baterai (tanpa kabel).

**Keselamatan tempat kerja**

1. **Jaga tempat kerja selalu bersih dan berpenerangan cukup.** Tempat kerja yang berantakan dan gelap mengundang kecelakaan.
2. **Jangan gunakan mesin listrik dalam lingkungan yang mudah meledak, misalnya jika ada cairan, gas, atau debu yang mudah menyala.** Mesin listrik menimbulkan bunga api yang dapat menyalakan debu atau uap tersebut.
3. **Jauhkan anak-anak dan orang lain saat menggunakan mesin listrik.** Bila perhatian terpecah, anda dapat kehilangan kendali.

**Keamanan kelistrikan**

4. **Steker mesin listrik harus cocok dengan stopkontak. Jangan sekali-kali mengubah steker dengan cara apa pun. Jangan menggunakan steker adaptor dengan mesin listrik berarde (dibumikan).** Steker yang tidak diubah dan stopkontak yang cocok akan mengurangi risiko sengatan listrik.
5. **Hindari sentuhan tubuh dengan permukaan berarde atau yang dibumikan seperti pipa, radiator, kompor, dan kulkas.** Risiko sengatan listrik bertambah jika tubuh Anda terbumikan atau terarde.
6. **Jangan membiarkan mesin listrik kehujanan atau kebasahan.** Air yang masuk ke dalam mesin listrik akan meningkatkan risiko sengatan listrik.

7. **Jangan menyalahgunakan kabel.** Jangan sekali-kali menggunakan kabel untuk membawa, menarik, atau mencabut mesin listrik dari stopkontak. Jauhkan kabel dari panas, minyak, tepian tajam, atau bagian yang bergerak. Kabel yang rusak atau kusut memperbesar risiko sengatan listrik.
8. **Bila menggunakan mesin listrik di luar ruangan, gunakan kabel ekstensi yang sesuai untuk penggunaan di luar ruangan.** Penggunaan kabel yang sesuai untuk penggunaan luar ruangan mengurangi risiko sengatan listrik.
9. **Jika mengoperasikan mesin listrik di lokasi lembap tidak terhindarkan, gunakan pasokan daya yang dilindungi peranti imbasan arus (residual current device - RCD).** Penggunaan RCD mengurangi risiko sengatan listrik.
10. **Penggunaan pasokan daya melalui RCD dengan kapasitas arus sisa 30 mA atau kurang selalu dianjurkan.**

#### Keselamatan diri

11. **Jaga kewaspadaan, perhatikan pekerjaan Anda dan gunakan akal sehat bila menggunakan mesin listrik.** Jangan menggunakan mesin listrik saat Anda lelah atau di bawah pengaruh obat bius, alkohol, atau obat. Sekejap saja lalai saat menggunakan mesin listrik dapat menyebabkan cedera diri yang serius.
12. **Gunakan alat pelindung diri. Selalu gunakan pelindung mata.** Peralatan pelindung seperti masker debu, sepatu pengaman anti-selip, helm pengaman, atau pelindung telinga yang digunakan untuk kondisi yang sesuai akan mengurangi risiko cedera diri.
13. **Cegah penyalaan yang tidak disengaja. Pastikan bahwa sakelar berada dalam posisi mati (off) sebelum menghubungkan mesin ke sumber daya dan/atau baterai, atau mengangkat atau membawanya.** Membawa mesin listrik dengan jari Anda pada sakelarnya atau mengalirkan listrik pada mesin listrik yang sakelarnya hidup (on) akan mengundang kecelakaan.
14. **Lepaskan kunci-kunci penyetel sebelum menghidupkan mesin listrik.** Kunci-kunci yang masih terpasang pada bagian mesin listrik yang berputar dapat menyebabkan cedera.
15. **Jangan meraih terlalu jauh. Jagalah pijakan dan keseimbangan sepanjang waktu.** Hal ini memungkinkan kendali yang lebih baik atas mesin listrik dalam situasi yang tidak diharapkan.
16. **Kenakan pakaian dengan baik. Jangan memakai pakaian yang kedodoran atau perhiasan. Jaga jarak antara rambut, pakaian, dan sarung tangan Anda dengan bagian mesin yang bergerak.** Pakaian kedodoran, perhiasan, atau rambut panjang dapat tersangkut pada bagian yang bergerak.
17. **Jika tersedia fasilitas untuk menghisap dan mengumpulkan debu, pastikan fasilitas tersebut terhubung listrik dan digunakan dengan baik.** Penggunaan pembersih debu dapat mengurangi bahaya yang terkait dengan debu.

#### Penggunaan dan pemeliharaan mesin listrik

18. **Jangan memaksa mesin listrik. Gunakan mesin listrik yang tepat untuk keperluan Anda.** Mesin listrik yang tepat akan menuntaskan pekerjaan dengan lebih baik dan aman pada kecepatan sesuai rancangannya.
19. **Jangan gunakan mesin listrik jika sakelar tidak dapat menyalakan dan mematirkannya.** Mesin listrik yang tidak dapat dikendalikan dengan sakelarnya adalah berbahaya dan harus diperbaiki.
20. **Cabut steker dari sumber listrik dan/atau baterai dari mesin listrik sebelum melakukan penyetelan, penggantian aksesoris, atau menyimpan mesin listrik.** Langkah keselamatan preventif tersebut mengurangi risiko hidupnya mesin secara tak sengaja.
21. **Simpan mesin listrik jauh dari jangkauan anak-anak dan jangan biarkan orang yang tidak paham mengenai mesin listrik tersebut atau petunjuk ini menggunakan mesin listrik.** Mesin listrik sangat berbahaya di tangan pengguna yang tak terlatih.
22. **Rawatlah mesin listrik. Periksa apakah ada bagian bergerak yang tidak lurus atau macet, bagian yang pecah dan kondisi lain yang dapat mempengaruhi penggunaan mesin listrik.** Jika rusak, perbaiki dahulu mesin listrik sebelum digunakan. Banyak kecelakaan disebabkan oleh kurangnya pemeliharaan mesin listrik.
23. **Jaga agar mesin pemotong tetap tajam dan bersih.** Mesin pemotong yang terawat baik dengan mata pemotong yang tajam tidak mudah macet dan lebih mudah dikendalikan.
24. **Gunakan mesin listrik, aksesoris, dan mata mesin, dll. sesuai dengan petunjuk ini, dengan memperhitungkan kondisi kerja dan jenis pekerjaan yang dilakukan.** Penggunaan mesin listrik untuk penggunaan yang lain dari peruntukan dapat menimbulkan situasi berbahaya.

#### Servis

25. **Berikan mesin listrik untuk diperbaiki hanya kepada oleh teknisi yang berkualifikasi dengan menggunakan hanya suku cadang pengganti yang serupa.** Hal ini akan menjamin terjaganya keamanan mesin listrik.
26. **Patuhi petunjuk pelumasan dan penggantian aksesoris.**
27. **Jagalah agar gagang kering, bersih, dan bebas dari minyak dan gemuk.**

GEB009-6

## PERINGATAN KESELAMATAN KUNCI HENTAM

1. **Pegang mesin listrik pada permukaan genggam yang terisolasi saat melakukan pekerjaan bila pengencang mungkin bersentuhan dengan kawat tersembunyi atau kabelnya sendiri.** Pengencang yang menyentuh kawat "hidup" dapat menyebabkan bagian logam pada mesin teraliri arus listrik dan menyengat pengguna.
2. **Kenakan pelindung telinga.**
3. **Periksa soket dengan seksama terhadap adanya keausan, keretakan atau kerusakan sebelum pemasangan.**



4. **Pegang mesin kuat-kuat.**
5. **Selalu pastikan Anda berdiri di atas alas yang kuat.**  
Pastikan tidak ada orang di bawahnya bila Anda menggunakan mesin di tempat tinggi.
6. **Torsi pengencangan yang tepat bisa berbeda tergantung pada macam atau ukuran baut. Periksa torsi dengan menggunakan kunci torsi.**

## SIMPAN PETUNJUK INI.

**⚠ PERINGATAN:**  
**JANGAN** biarkan kenyamanan atau terbiasanya Anda dengan produk (karena penggunaan berulang) menggantikan kepatuhan yang ketat terhadap aturan keselamatan untuk produk yang terkait.  
**PENYALAHGUNAAN** atau kelalaian mematuhi kaidah keselamatan yang tertera dalam petunjuk ini dapat menyebabkan cedera badan serius.

## DESKRIPSI FUNGSI

**⚠ PERHATIAN:**

- Selalu pastikan bahwa mesin dalam keadaan mati dan steker tercabut sebelum menyetel atau memeriksa kerja mesin.

### Kerja saklar (Gb. 1)

**⚠ PERHATIAN:**

- Sebelum memasukkan steker, selalu periksa apakah picu saklar berfungsi dengan baik dan kembali ke posisi "OFF" saat dilepas.
- Ubah arah putaran hanya setelah mesin benar-benar berhenti. Mengubahnya sebelum mesin berhenti dapat merusak mesin.

Saklar bisa dibalik arahnya, menghasilkan putaran baik searah jarum jam maupun berlawanan arah jarum jam. Untuk menjalankan mesin, cukup tarik bagian bawah picu saklar untuk searah jarum jam atau bagian atas untuk berlawanan arah jarum jam. Lepaskan picu saklar untuk berhenti.

## PERAKITAN

**⚠ PERHATIAN:**

- Selalu pastikan bahwa mesin dalam keadaan mati dan steker tercabut sebelum melakukan pekerjaan apapun pada mesin.

### Memilih soket yang tepat

Selalu gunakan ukuran soket yang tepat untuk baut dan mur. Ukuran soket yang tidak tepat akan mengakibatkan torsi pengencangan yang tidak akurat dan konsisten dan/atau merusak baut atau mur.

### Memasang atau melepas soket

**⚠ PERHATIAN:**

- Pastikan bahwa mesin dalam keadaan mati dan steker tercabut sebelum memasang atau melepas soket.

### Untuk soket tanpa cincin-O dan pasak (Gb. 2)

Untuk memasang soket, dorong pada landasan mesin sampai terkunci pada tempatnya.

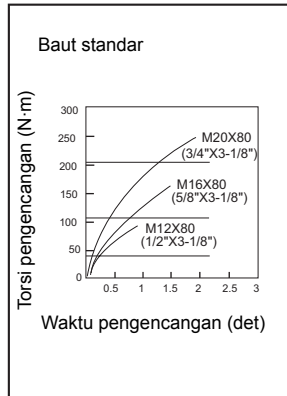
Untuk melepaskannya, cukup tarik soket.

### Untuk soket dengan cincin-O dan pasak (Gb. 3)

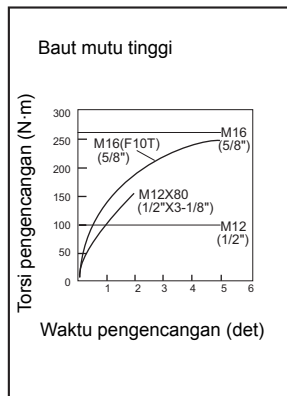
Lepaskan cincin-O dari alur pada soket dan lepas pasak dari soket. Pasang soket pada landasan mesin sehingga lubang pada soket sejajar dengan lubang pada landasan. Masukkan pasak melalui lubang pada soket dan landasan. Laluembalikan cincin-O ke posisi semula dan alur soket untuk menahan pasak. Untuk melepas soket, ikuti urutan terbalik dari prosedur pemasangan.

## PENGUNAAN

Torsi pengencangan yang tepat bisa berbeda tergantung pada macam atau ukuran baut, bahan benda kerja yang akan dikencangkan, dsb. Hubungan antara torsi pengencangan dan waktu pengencangan ditunjukkan pada gambar.



004009



004010

Pegang mesin kuat-kuat dan posisikan soket pada baut atau mur. Nyalakan mesin dan kencangkan selama waktu pengencangan yang sesuai.

### CATATAN:

- Ketika mengencangkan sekrup M12 atau yang lebih kecil, sesuaikan tekanan pada saklar dengan seksama sehingga tidak merusak sekrup.

- Pegang mesin dengan ujungnya tegak lurus terhadap baut atau mur tanpa memberi tekanan yang berlebihan pada mesin.
- Jika Anda mengencangkan baut dengan waktu yang lebih lama dari yang ditunjukkan pada gambar, baut atau soket bisa mengalami kelebihan tekanan, rusak, dsb. Sebelum memulai pekerjaan Anda, selalu lakukan uji-coba untuk menentukan waktu pengencangan yang sesuai untuk baut Anda. Khususnya baut yang lebih besar dari M12, lakukan uji-coba di atas untuk menghindari masalah pada soket atau baut, dll.

Torsi pengencangan dipengaruhi oleh berbagai macam faktor termasuk hal-hal berikut ini. Setelah pengencangan, selalu periksa torsi dengan kunci torsi.

1. Tegangan
  - Penurunan tegangan akan menyebabkan berkurangnya torsi pengencangan.
2. Soket
  - Kesalahan penggunaan soket dengan ukuran yang tepat akan menyebabkan penurunan torsi pengencangan.
  - Soket yang aus (aus pada ujung segi-enam atau ujung perseginya) akan menyebabkan penurunan torsi pengencangan.
3. Baut
  - Walaupun koefisien torsi dan kelas bautnya sama, torsi pengencangan yang tepat akan berbeda sesuai dengan diameter baut.
  - Walaupun diameter bautnya sama, torsi pengencangan yang tepat akan berbeda sesuai dengan koefisien torsi, kelas baut dan panjang baut.
4. Penggunaan sambungan universal atau batang sambungan agak sedikit menurunkan torsi pengencangan kunci hentam. Imbangi dengan pengencangan dalam jangka waktu yang lebih lama.
5. Sikap ketika memegang mesin atau posisi bahan yang akan dipasang sekrup akan mempengaruhi torsi.

## PERAWATAN

### ⚠ PERHATIAN:

- Selalu pastikan bahwa mesin dimatikan dan steker dicabut sebelum melakukan pemeriksaan atau perawatan.
- Jangan sekali-kali menggunakan bensin, tiner, alkohol, atau bahan sejenisnya. Penggunaan bahan demikian dapat menyebabkan perubahan warna, perubahan bentuk atau timbulnya retakan.

## Mengganti sikat karbon

Lepas dan periksa sikat karbon secara teratur. Lepas ketika aus sampai tanda batas. Jaga agar sikat karbon tetap bersih dan tidak bergeser dari tempatnya. Kedua sikat karbon harus diganti pada waktu yang sama. Hanya gunakan sikat karbon yang sama. **(Gb. 4)**

Gunakan obeng untuk melepas tutup tempat sikat. Tarik keluar sikat karbon yang aus, masukkan yang baru dan pasang tutup tempat sikat. **(Gb. 5)**

Untuk menjaga KEAMANAN dan KEANDALAN mesin, perbaikan, perawatan atau penyetulan lain harus dilakukan oleh Pusat Layanan Resmi Makita dan selalu gunakan suku cadang pengganti buatan Makita.

## PILIHAN AKSESORI

### ⚠ PERHATIAN:

- Dianjurkan untuk menggunakan aksesoris atau perangkat tambahan ini dengan mesin Makita Anda yang ditentukan dalam petunjuk ini. Penggunaan aksesoris atau perangkat tambahan lain bisa menyebabkan risiko cedera pada manusia. Hanya gunakan aksesoris atau perangkat tambahan sesuai dengan peruntukannya.

Jika Anda memerlukan bantuan lebih rinci berkenaan dengan aksesoris ini, tanyakan pada Pusat Layanan Makita terdekat.

- Soket
- Batang sambungan
- Sambungan universal

### CATATAN:

- Beberapa item dalam daftar tersebut mungkin sudah termasuk dalam paket mesin sebagai aksesoris standar. Hal tersebut dapat berbeda dari satu negara ke negara lainnya.

**Giải thích về hình vẽ tổng thể**

- |                           |                  |                 |
|---------------------------|------------------|-----------------|
| 1. Cần khởi động công tắc | 4. Vòng O        | 7. Nắp giữ chốt |
| 2. Mũi đầu tuýp           | 5. Chốt          | 8. Tuốc-nơ-vít  |
| 3. Đầu xoay               | 6. Vạch giới hạn |                 |

**THÔNG SỐ KỸ THUẬT**

	Kiểu	TW0350
Công suất	Bulong thường	M12 - M22
	Bulong cường độ cao	M12 - M16
	Đầu quay vuông	12,7 mm
	Tốc độ không tải (phút <sup>-1</sup> )	2.000
	Số lần vận mỗi phút	2.000
	Lực vận xiết tối đa	350 N·m
	Chiều dài tổng thể	283 mm
	Trọng lượng tịnh	3,0 kg
	Cấp độ an toàn	□/II

- Do chương trình nghiên cứu và phát triển liên tục của chúng tôi nên các thông số kỹ thuật trong đây có thể thay đổi mà không cần thông báo trước.
- Các thông số kỹ thuật có thể thay đổi tùy theo từng quốc gia.
- Trọng lượng tùy theo Quy trình EPTA tháng 01/2003

END201-5

**Ký hiệu**

Phần dưới đây cho biết các ký hiệu được dùng cho thiết bị. Đảm bảo rằng bạn hiểu rõ ý nghĩa của các ký hiệu này trước khi sử dụng.



..... Đọc tài liệu hướng dẫn.



..... CÁCH ĐIỆN KÉP

ENE036-1

**Mục đích sử dụng**

Dụng cụ này được dùng để vận bulông và đai ốc.

ENF002-2

**Nguồn cấp điện**

Dụng cụ này chỉ được nối với nguồn cấp điện có điện áp giống như đã chỉ ra trên biển tên và chỉ có thể được vận hành trên nguồn điện AC một pha. Chúng được cách điện hai lớp và do đó cũng có thể được sử dụng từ các ổ cắm điện không có dây tiếp đất.

GEA005-3

**Cảnh báo An toàn Chung dành cho Dụng cụ Máy**

**⚠ CẢNH BÁO!** Đọc tất cả các cảnh báo an toàn và hướng dẫn. Việc không tuân theo các cảnh báo và hướng dẫn có thể dẫn đến điện giật, hỏa hoạn và/hoặc thương tích nghiêm trọng.

**Lưu giữ tất cả cảnh báo và hướng dẫn để tham khảo sau này.**

Thuật ngữ “dụng cụ máy” trong các cảnh báo đề cập đến dụng cụ máy (có dây) được vận hành bằng nguồn điện chính hoặc dụng cụ máy (không dây) được vận hành bằng pin của bạn.

**An toàn tại nơi làm việc**

1. **Giữ nơi làm việc sạch sẽ và có đủ ánh sáng.** Nơi làm việc bừa bộn hoặc tối thường dễ gây tai nạn.
2. **Không vận hành dụng cụ máy trong môi trường cháy nổ, ví dụ như môi trường có sự hiện diện của các chất lỏng, khí hoặc bụi dễ cháy.** Các dụng cụ máy tạo tia lửa điện có thể làm bụi hoặc khí bốc cháy.
3. **Giữ trẻ em và người ngoài tránh xa nơi làm việc khi đang vận hành dụng cụ máy.** Sự xao lãng có thể khiến bạn mất khả năng kiểm soát.

**An toàn về điện**

4. **Phích cắm của dụng cụ máy phải khớp với ổ cắm. Không bao giờ được sửa đổi phích cắm theo bất kỳ cách nào. Không sử dụng bất kỳ phích chuyển đổi nào với các dụng cụ máy được nối đất (tiếp đất).** Các phích cắm còn nguyên vẹn và ổ cắm phù hợp sẽ giảm nguy cơ điện giật.
5. **Tránh để cơ thể tiếp xúc với các bề mặt nối đất hoặc tiếp đất như đường ống, bộ tản nhiệt, bếp ga và tủ lạnh.** Nguy cơ bị điện giật sẽ tăng lên nếu cơ thể bạn được nối đất hoặc tiếp đất.
6. **Không để dụng cụ máy tiếp xúc với mưa hoặc trong điều kiện ẩm ướt.** Nước lọt vào dụng cụ máy sẽ làm tăng nguy cơ điện giật.

7. **Không lạm dụng dây.** Không bao giờ sử dụng dây đề mang, kéo hoặc tháo phích cắm dụng cụ máy. Giữ dây tránh xa nguồn nhiệt, dầu, các mép sắc hoặc các bộ phận chuyển động. Dây bị hỏng hoặc bị rối sẽ làm tăng nguy cơ điện giật.
8. **Khi vận hành dụng cụ máy ngoài trời, hãy sử dụng dây kéo dài phù hợp cho việc sử dụng ngoài trời.** Việc dùng dây phù hợp cho việc sử dụng ngoài trời sẽ giảm nguy cơ điện giật.
9. **Nếu bắt buộc phải vận hành dụng cụ máy ở nơi ẩm ướt, hãy sử dụng nguồn cấp điện được bảo vệ bằng thiết bị ngắt dòng điện rò (RCD).** Việc sử dụng RCD sẽ giảm nguy cơ điện giật.
10. **Chúng tôi luôn khuyên bạn sử dụng nguồn cấp điện qua thiết bị ngắt dòng điện dư định mức 30 mA hoặc thấp hơn.**

#### **An toàn cá nhân**

11. **Luôn tỉnh táo, quan sát những việc bạn đang làm và sử dụng những phán đoán theo kinh nghiệm khi vận hành dụng cụ máy.** Không sử dụng dụng cụ máy khi bạn đang mệt mỏi hoặc chịu ảnh hưởng của ma túy, rượu hay thuốc. Chỉ một khoảng khắc không tập trung khi đang vận hành dụng cụ máy cũng có thể dẫn đến thương tích cá nhân nghiêm trọng.
12. **Sử dụng thiết bị bảo hộ cá nhân.** Luôn đeo thiết bị bảo vệ mắt. Các thiết bị bảo hộ như mặt nạ chống bụi, giày an toàn chống trượt, mũ bảo hộ hay thiết bị bảo vệ thính giác được sử dụng trong các điều kiện thích hợp sẽ giúp giảm thương tích cá nhân.
13. **Tránh vô tình khởi động dụng cụ máy.** Đảm bảo công tắc ở vị trí off (tắt) trước khi nối nguồn điện và/hoặc bộ pin, cắm hoặc mang dụng cụ máy. Việc mang dụng cụ máy khi đang đặt ngón tay ở vị trí công tắc hoặc cấp điện cho dụng cụ máy đang bật thường dễ gây ra tai nạn.
14. **Tháo mọi khoá hoặc chia vận điều chỉnh trước khi bật dụng cụ máy.** Việc chia vận hoặc khoá vẫn còn gắn vào bộ phận quay của dụng cụ máy có thể dẫn đến thương tích cá nhân.
15. **Không vớ quá cao.** Luôn giữ thăng bằng tốt và có chỗ để chân phù hợp. Điều này cho phép điều khiển dụng cụ máy tốt hơn trong những tình huống bất ngờ.
16. **Ăn mặc phù hợp. Không mặc quần áo rộng hay đeo đồ trang sức.** Giữ tóc, quần áo và găng tay tránh xa các bộ phận chuyển động. Quần áo rộng, đồ trang sức hay tóc dài có thể mắc vào các bộ phận chuyển động.
17. **Nếu cần thiết bị được cung cấp để kết nối các thiết bị thu gom và hút bụi, hãy đảm bảo chúng được kết nối và sử dụng hợp lý.** Việc sử dụng thiết bị thu gom bụi có thể làm giảm những mối nguy hiểm liên quan đến bụi.

#### **Sử dụng và bảo quản dụng cụ máy**

18. **Không dùng lực đối với dụng cụ máy.** Sử dụng đúng dụng cụ máy cho công việc của bạn. Sử dụng đúng dụng cụ máy sẽ giúp thực hiện công việc tốt hơn và an toàn hơn theo giá trị định mức được thiết kế của dụng cụ máy đó.
19. **Không sử dụng dụng cụ máy nếu công tắc không bật và tắt được dụng cụ máy đó.** Mọi dụng cụ máy không thể điều khiển được bằng công tắc đều rất nguy hiểm và cần được sửa chữa.

20. **Rút phích cắm ra khỏi nguồn điện và/hoặc ngắt kết nối bộ pin khỏi dụng cụ máy trước khi thực hiện bất kỳ công việc điều chỉnh, thay đổi phụ tùng hay cất giữ dụng cụ máy nào.** Những biện pháp an toàn phòng ngừa này sẽ giảm nguy cơ vô tình khởi động vô tình dụng cụ máy.
21. **Cất giữ các dụng cụ máy không sử dụng ngoài tầm với của trẻ em và không cho bất kỳ người nào không có hiểu biết về dụng cụ máy hoặc các hướng dẫn này vận hành dụng cụ máy.** Dụng cụ máy sẽ rất nguy hiểm nếu được sử dụng bởi những người dùng chưa qua đào tạo.
22. **Bảo quản dụng cụ máy.** Kiểm tra tình trạng lệch trục hoặc bó kẹt của các bộ phận chuyển động, hiện tượng nứt vỡ của các bộ phận và mọi tình trạng khác mà có thể ảnh hưởng đến hoạt động của dụng cụ máy. Nếu có hỏng hóc, hãy sửa chữa dụng cụ máy trước khi sử dụng. Nhiều tai nạn xảy ra là do không bảo quản tốt dụng cụ máy.
23. **Luôn giữ cho dụng cụ cất được sắc bén và sạch sẽ.** Những dụng cụ cất được bảo quản tốt có mép cắt sắc sẽ ít bị kẹt hơn và dễ điều khiển hơn.
24. **Sử dụng dụng cụ máy, phụ tùng và đầu dụng cụ cắt, v.v... theo các hướng dẫn này, có tính đến điều kiện làm việc và công việc được thực hiện.** Việc sử dụng dụng cụ máy cho các công việc khác với công việc dự định có thể gây nguy hiểm.

#### **Bảo dưỡng**

25. **Đề nhân viên sửa chữa đủ trình độ bảo dưỡng dụng cụ máy của bạn và chỉ sử dụng các bộ phận thay thế đồng nhất.** Việc này sẽ đảm bảo duy trì được độ an toàn của dụng cụ máy.
26. **Tuân theo hướng dẫn dành cho việc bôi trơn và thay phụ tùng.**
27. **Giữ tay cầm khô, sạch, không dính dầu và mỡ.**

GEB009-6

## **CẢNH BÁO AN TOÀN ĐỐI VỚI MÁY BẮT ỐC ĐỘNG LỰC**

1. **Cầm dụng cụ máy bằng bề mặt kẹp cách điện khi thực hiện một thao tác trong đó bộ phận xoay vận có thể tiếp xúc với dây dẫn kín hoặc dây của chính nó.** Bộ phận kẹp tiếp xúc với dây dẫn "có điện" có thể khiến các bộ phận kim loại bị hở của dụng cụ máy "có điện" và làm cho người vận hành bị điện giật.
2. **Đeo thiết bị bảo vệ tai.**
3. **Kiểm tra đầu vận thích kỹ xem có bị mòn, nứt hoặc hư hỏng không trước khi lắp.**
4. **Cầm chắc dụng cụ.**
5. **Luôn đảm bảo bạn có chỗ đặt chân vững chắc.** Đảm bảo rằng không có ai ở bên dưới khi sử dụng dụng cụ ở trên cao.
6. **Lực vận xiết phù hợp có thể khác biệt tùy theo loại hoặc kích thước bulông.** Kiểm tra mô-men xoay bằng khóa vận mô-men.

## **LƯU GIỮ CÁC HƯỚNG DẪN NÀY.**

### **⚠ CẢNH BÁO:**

**KHÔNG** được để sự thoải mái hay quen thuộc với sản phẩm (có được do sử dụng nhiều lần) thay thế việc tuân thủ nghiêm ngặt các quy định về an toàn dành cho sản phẩm này. **VIỆC DÙNG SAI** hoặc không tuân

theo các quy định về an toàn được nêu trong tài liệu hướng dẫn này có thể dẫn đến thương tích cá nhân nghiêm trọng.

## MÔ TẢ CHỨC NĂNG

### ⚠ CẢN TRỌNG:

- Phải luôn đảm bảo rằng dụng cụ đã được tắt điện và ngắt kết nối trước khi chỉnh sửa hoặc kiểm tra chức năng của dụng cụ.

### Hoạt động công tắc (Hình 1)

#### ⚠ CẢN TRỌNG:

- Trước khi cắm điện vào dụng cụ, luôn luôn kiểm tra xem cần khởi động công tắc có hoạt động bình thường hay không và trả về vị trí "OFF" (TẮT) khi nhả ra.
- Thay đổi chiều xoay chỉ khi nào dụng cụ đã dừng lại hoàn toàn. Việc đổi chiều xoay trước khi dụng cụ dừng lại có thể làm hỏng dụng cụ.

Công tắc có thể bật qua bật lại, cho phép xoay theo chiều kim đồng hồ hoặc ngược chiều kim đồng hồ. Để khởi động dụng cụ chỉ cần kéo phần dưới thấp của cần khởi động công tắc để xoay theo chiều kim đồng hồ hoặc phần trên để xoay theo ngược chiều kim đồng hồ. Nhả cần khởi động công tắc ra để dừng.

## LẮP RÁP

### ⚠ CẢN TRỌNG:

- Luôn luôn đảm bảo rằng dụng cụ đã được tắt và tháo phích cắm trước khi dùng dụng cụ thực hiện bất cứ công việc nào.

### Chọn đúng đầu tuýp (socket)

Luôn sử dụng đầu tuýp đúng kích thước cho các loại bulông và đai ốc. Đầu vận không đúng kích thước sẽ làm cho lực vận xiết không chính xác và không ổn định và/hoặc làm hư hỏng bulông hoặc đai ốc.

### Lắp hoặc tháo đầu tuýp

#### ⚠ CẢN TRỌNG:

- Luôn đảm bảo rằng dụng cụ này đã được tắt và rút phích cắm trước khi lắp hoặc tháo gỡ đầu tuýp.

#### Đối với đầu tuýp không có vòng O và chốt (Hình 2)

Để lắp đầu tuýp vào, nhấn nó lên đầu xoay của dụng cụ cho đến khi nó khớp vào vị trí.

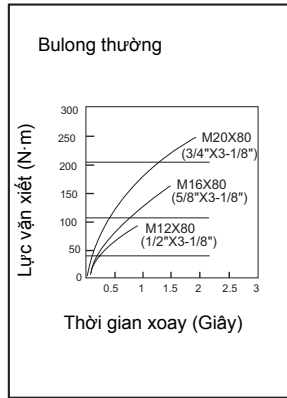
Để tháo đầu tuýp ra, chỉ cần kéo nó ra khỏi.

#### Đối với đầu tuýp có vòng O và chốt (Hình 3)

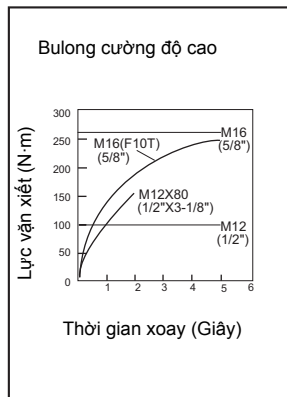
Đẩy vòng chữ O ra khỏi rãnh trong đầu tuýp và tháo chốt khỏi đầu tuýp. Gắn khớp đầu tuýp vào đầu xoay của dụng cụ sao cho lỗ trên đầu tuýp được căn chỉnh với lỗ trên đầu xoay. Lắp chốt xuyên qua lỗ trong đầu tuýp và đầu xoay. Sau đó xoay vòng chữ O về vị trí ban đầu trong rãnh đầu tuýp để giữ chốt lại. Để tháo đầu tuýp, hãy làm ngược lại quy trình lắp vào.

## VẬN HÀNH

Mô-men xoay phù hợp có thể khác nhau tùy thuộc vào loại hoặc kích thước của bulông, vật liệu gia công cần được xiết vận, v.v... Mỗi liên hệ giữa lực vận xiết và thời gian vận xiết được thể hiện theo các số liệu sau.



004009



004010

Giữ chặt dụng cụ và đặt mũi đầu tuýp lên trên bu-lông hoặc đai ốc. Bật dụng cụ lên và vận bulông theo thời gian vận xiết phù hợp.

#### LƯU Ý:

- Khi xiết vít cỡ M12 hoặc nhỏ hơn, hãy điều chỉnh áp lực cẩn thận lên công tắc sao cho vít không bị hư hỏng.
- Giữ dụng cụ chia thẳng vào bulông hoặc đai ốc mà không ấn mạnh quá mức lên dụng cụ.
- Nếu bạn cần xiết chặt bu-lông lâu hơn thời gian thể hiện trong hình, bu-lông hoặc đầu tuýp có thể chịu ứng suất vượt tải, hư hỏng, v.v... Trước khi thực hiện công việc của mình, luôn vận hành thử để xác định thời gian xoay phù hợp cho loại bu-lông của bạn. Đặc biệt đối với bu-lông lớn hơn M12, hãy tiến hành thao tác thử nghiệm ở trên để phòng ngừa sự cố đối với đầu tuýp hoặc bu-lông, v.v...

Mô-men xoay bị ảnh hưởng bởi rất nhiều yếu tố như sau đây. Sau khi xiết, luôn kiểm tra mô-men xoay bằng một cờ-lê cộng lực.

1. Điện thế
  - Tụt điện thế sẽ làm giảm lực vận xiết.
2. Mũi đầu tuýp
  - Việc không sử dụng đầu vận đúng kích thước có thể làm giảm lực vận xiết.

- Đầu vận bị mòn (mòn phần đầu lục giác hoặc đầu vuông) sẽ làm giảm lực vận xiết.
3. Bulong
- Ngay cả khi hệ số mô-men xoay và loại bulong là giống nhau, mô-men xoay đúng quy định sẽ khác tùy theo đường kính của bulong.
  - Ngay cả khi đường kính các bulong là giống nhau, mô-men xoay đúng quy định sẽ khác tùy theo hệ số mô-men xoay, loại bulong và chiều dài bulong.
4. Việc sử dụng khớp nối đa năng hoặc thanh nối dài cũng làm giảm phần nào lực vận xiết của máy bắt bulông. Hãy bù trừ bằng cách kéo dài hơn thời gian vận xiết.
5. Cách cầm dụng cụ hoặc vật liệu tại vị trí bắt vít cần được xoay cũng sẽ ảnh hưởng đến mô-men xoay.

## BẢO TRÌ

### CẢN TRỌNG:

- Hãy luôn chắc chắn rằng dụng cụ đã được tắt và ngắt kết nối trước khi cố gắng thực hiện việc kiểm tra hay bảo dưỡng.
- Không bao giờ dùng xăng, ết xăng, dung môi, cồn hoặc hóa chất tương tự. Có thể xảy ra hiện tượng mất màu, biến dạng hoặc nứt vỡ.

### Thay thế các chổi các-bon

Hãy tháo và kiểm tra các chổi các-bon định kỳ. Thay thế khi chổi đã mòn đến vạch giới hạn. Hãy giữ cho các chổi các-bon sạch sẽ và không quấn vào trong các đầu giữ.

Các chổi các-bon nên được thay thế cùng lúc. Hãy sử dụng các chổi các-bon giống nhau. **(Hình 4)**

Hãy sử dụng một tuốc-nơ-vít để tháo các nắp giữ chổi. Hãy tháo các chổi các-bon đã bị mòn, lắp vào các chổi mới và vận chặt các nắp giữ chổi. **(Hình 5)**

Để đảm bảo AN TOÀN và TIN CẬY của sản phẩm, việc sửa chữa hoặc bất cứ thao tác bảo trì, điều chỉnh nào đều phải được thực hiện bởi các Trung tâm Dịch vụ Được Ủy quyền của Makita (Makita Authorized Service Center), luôn sử dụng các phụ tùng thiết bị thay thế của Makita.

## PHỤ KIỆN TỰ CHỌN

### CẢN TRỌNG:

- Các phụ kiện hoặc phụ tùng gắn thêm này được khuyến cáo sử dụng với dụng cụ Makita của bạn theo như quy định trong hướng dẫn này. Việc sử dụng bất cứ phụ kiện hoặc phụ tùng gắn thêm nào khác đều có thể gây ra rủi ro thương tích cho người. Chỉ sử dụng phụ kiện hoặc phụ tùng gắn thêm cho mục đích đã quy định sẵn của chúng.

Nếu bạn cần hỗ trợ để biết thêm chi tiết về những phụ kiện này, hãy liên hệ với Trung tâm Dịch vụ của Makita tại địa phương của bạn.

- Các đầu tuýp
- Thanh nối dài
- Khớp đa năng

### LƯU Ý:

- Một vài mục trong danh sách có thể được bao gồm trong gói dụng cụ làm phụ kiện tiêu chuẩn. Các mục này có thể thay đổi tùy theo từng quốc gia.

## คำอธิบายของมุมมองทั่วไป

- |                  |               |                    |
|------------------|---------------|--------------------|
| 1. สวิตช์สั่งงาน | 4. โอริง      | 7. ฝาปิดที่ยึดแปรง |
| 2. หัวบ็อกซ์     | 5. สลัก       | 8. ไชควง           |
| 3. ช่องยึด       | 6. ซีตจ้ำกั๊ด |                    |

## ข้อมูลจำเพาะ

	รุ่น	TW0350
ความสามารถในการเจาะ	สลักเกลียวมาตรฐาน	M12 - M22
	สลักเกลียวทนแรงดึงสูง	M12 - M16
	ช่องยึดหัวบ็อกซ์	12,7 มม.
	ความเร็วขณะหมุนเปล่า (รอบต่อนาที)	2,000
	อัตราการกระแทกต่อนาที	2,000
	แรงบิดขั้นแน่นสูงสุด	350 N·m
	ความยาวโดยรวม	283 มม.
	น้ำหนักสุทธิ	3.0 กก.
	มาตรฐานความปลอดภัย	☐/II

- เนื่องจากการค้นคว้าวิจัยและพัฒนาอย่างต่อเนื่อง ข้อมูลจำเพาะในเอกสารฉบับนี้อาจเปลี่ยนแปลงได้โดยไม่ต้องแจ้งให้ทราบล่วงหน้า
- ข้อมูลจำเพาะอาจแตกต่างกันไปในแต่ละประเทศ
- น้ำหนักตามข้อบังคับของ EPTA 01/2003

END201-5

GEA005-3

## สัญลักษณ์

ต่อไปนี้เป็นสัญลักษณ์ที่ใช้สำหรับอุปกรณ์

โปรดศึกษาความหมายของสัญลักษณ์ให้เข้าใจก่อนการใช้งาน



..... อ่านคู่มือการใช้งาน



..... ฉนวนสองชั้น

## จุดประสงค์ของเครื่องมือ

ใช้เครื่องมือชนิดนี้เพื่อขันนอตและสลักเกลียว

ENE036-1

ENF002-2

## แหล่งจ่ายไฟ

ควรเชื่อมต่อเครื่องมือกับแหล่งจ่ายไฟที่มีแรงดันไฟฟ้าตามที่ระบุไว้ในป้ายข้อมูลของเครื่องมือ และจะต้องใช้ไฟฟ้ากระแสสลับแบบเฟสเดียวเท่านั้น อุปกรณ์นี้ได้รับการหุ้มฉนวนสองชั้นและสามารถใช้กับปลั๊กไฟที่ไม่มีสายดินได้

## คำเตือนด้านความปลอดภัยของเครื่องมือไฟฟ้าทั่วไป

⚠ คำเตือน! อ่านคำเตือนด้านความปลอดภัยและคำแนะนำทั้งหมด การไม่ปฏิบัติตามคำแนะนำดังกล่าวอาจส่งผลให้เกิดไฟฟ้าช็อต ไฟไหม้ และ/หรือได้รับบาดเจ็บอย่างร้ายแรง

## เก็บรักษาคำเตือนและคำแนะนำทั้งหมดไว้เป็นข้อมูลอ้างอิงในอนาคต

คำว่า “เครื่องมือไฟฟ้า” ในคำเตือนนี้ หมายถึง เครื่องมือไฟฟ้า (มีสาย) ที่ทำงานโดยใช้กระแสไฟฟ้า หรือเครื่องมือไฟฟ้า (ไร้สาย) ที่ทำงานโดยใช้แบตเตอรี่

## ความปลอดภัยของพื้นที่ทำงาน

- ดูแลพื้นที่ทำงานให้มีความสะอาดและมีแสงไฟสว่าง พื้นที่กระเบื้องกระเบื้องหรือมัตที่บอบบางไปสู่การเกิดอุบัติเหตุได้
- อย่าใช้งานเครื่องมือไฟฟ้าในสภาพที่อาจเกิดการระเบิด เช่น ในสถานที่ที่มีของเหลว ก๊าซ หรือฝุ่นผงที่มีคุณสมบัติไวไฟ เครื่องมือไฟฟ้าจะสร้างประกายไฟเพื่อจุดชนวนฝุ่นผงหรือก๊าซดังกล่าว

3. ดูแลไม่ให้มีเด็ก ๆ หรือบุคคลอื่นอยู่ในบริเวณที่กำลังใช้เครื่องมือไฟฟ้า การมีสิ่งรบกวนสมาธิอาจทำให้คุณสูญเสียการควบคุม

#### ความปลอดภัยด้านไฟฟ้า

4. ปลั๊กของเครื่องมือไฟฟ้าต้องพอดีกับตัวรับ อย่าตัดแปลงปลั๊กไม่ว่ากรณีใด ๆ อย่าใช้ปลั๊กอะแดปเตอร์กับเครื่องมือไฟฟ้าที่ต่อสายดิน ปลั๊กที่ไม่ถูกต้องและตัวรับไฟฟ้าที่เข้ากันพอดีจะช่วยลดความเสี่ยงของการเกิดไฟฟ้าช็อต
5. ระวังอย่าให้ร่างกายสัมผัสกับพื้นผิวที่ต่อสายดิน เช่น ท่อเครื่องทำความร้อน เตาหุงต้ม และตู้เย็น มีความเสี่ยงที่จะเกิดไฟฟ้าช็อตสูงขึ้น หากร่างกายของคุณสัมผัสกับพื้น
6. อย่าให้เครื่องมือไฟฟ้าถูกน้ำหรืออยู่ในสภาพเปียกชื้น น้ำที่ไหลเข้าไปในเครื่องมือไฟฟ้าจะเพิ่มความเสี่ยงของการเกิดไฟฟ้าช็อต
7. อย่าใช้สายไฟอย่างที่ไม่เหมาะสม อย่าใช้สายไฟเพื่อยก ดึง หรือ ถอดปลั๊กเครื่องมือไฟฟ้า เก็บสายไฟให้ห่างจากความร้อน น้ำมัน ของมีคม หรือชิ้นส่วนที่เคลื่อนที่ สายที่ชำรุดหรือพันกันจะเพิ่มความเสี่ยงของการเกิดไฟฟ้าช็อต
8. ขณะที่ใช้งานเครื่องมือไฟฟ้านอกอาคาร ควรใช้สายต่อพ่วงที่เหมาะสมกับงานภายนอกอาคาร การใช้สายที่เหมาะสมกับงานภายนอกอาคารจะลดความเสี่ยงของการเกิดไฟฟ้าช็อต
9. หากต้องใช้งานเครื่องมือไฟฟ้าในสถานที่เปียกชื้น ให้ใช้อุปกรณ์ป้องกันกระแสไฟรั่ว (RCD) การใช้ RCD จะลดความเสี่ยงของการเกิดไฟฟ้าช็อต
10. ขอแนะนำให้ใช้แหล่งจ่ายไฟผ่าน RCD ที่มีกระแสไฟรั่วในอัตราไม่เกิน 30 mA เสมอ

#### ความปลอดภัยส่วนบุคคล

11. ให้ระมัดระวัง และสังเกตเสมอว่าคุณกำลังทำอะไรอยู่ และใช้สามัญสำนึกในขณะที่ใช้งานเครื่องมือไฟฟ้า อย่าใช้งานเครื่องมือไฟฟ้าในขณะที่คุณกำลังเหนื่อย หรือในสภาพที่มีเมฆจากยาเสพติด เครื่องดื่มแอลกอฮอล์ หรือการให้ยา ช่วงเวลาที่ขาดความระมัดระวังเมื่อกำลังใช้งานเครื่องมือไฟฟ้าอาจทำให้คุณได้รับบาดเจ็บอย่างรุนแรง
12. ใช้อุปกรณ์ป้องกันส่วนบุคคล สวมแว่นตาป้องกันเสมอ อุปกรณ์ป้องกัน เช่น หน้ากากกันฝุ่น รองเท้านิรภัยกันลื่น หมวกนิรภัย หรือเครื่องป้องกันการได้ยินที่ใช้ในสภาพที่เหมาะสมจะช่วยลดการบาดเจ็บ
13. ป้องกันไม่ให้เปิดใช้งานอย่างไม่ตั้งใจ ตรวจสอบว่าสวิตช์อยู่ในตำแหน่งปิดก่อนเชื่อมต่อกับแหล่งจ่ายไฟ และ/หรือ ชุดแบตเตอรี่ หรือก่อนการยกหรือถือเครื่องมือ การถอดนิ้วมือบริเวณสวิตช์เพื่อถือเครื่องมือไฟฟ้า หรือการชาร์จไฟเครื่องมือไฟฟ้าในขณะที่เปิดสวิตช์อยู่อาจนำไปสู่การเกิดอุบัติเหตุ

14. นำกุญแจปรับแต่งหรือประแจออกก่อนที่จะเปิดเครื่องมือไฟฟ้า ประแจหรือกุญแจที่เสียบค้างอยู่ในชิ้นส่วนที่หมุนได้ของเครื่องมือไฟฟ้าอาจทำให้คุณได้รับบาดเจ็บ
15. อย่าทำงานในระบะที่สุดเอื้อม จัดทำการยืนและการทรงตัวให้เหมาะสมตลอดเวลา เพราะจะทำให้ควบคุมเครื่องมือไฟฟ้าได้ดีขึ้นในสถานการณ์ที่ไม่คาดคิด
16. แต่งกายให้เหมาะสม อย่าสวมเครื่องแต่งกายที่หลวมเกินไป หรือสวมเครื่องประดับ ดูแลไม่ให้เส้นผม เสื้อผ้า และถุงมืออยู่ใกล้ชิ้นส่วนที่เคลื่อนที่ เสื้อผ้ารุ่มร่าม เครื่องประดับ หรือผมที่มีคมอาจอาจเข้าไปติดในชิ้นส่วนที่เคลื่อนที่
17. หากมีการจัดอุปกรณ์สำหรับคุณและจัดเก็บฝุ่นไว้ในสถานที่ ให้ตรวจสอบว่าได้เชื่อมต่อและใช้งานอุปกรณ์นั้นอย่างเหมาะสม การใช้เครื่องดูดและจัดเก็บฝุ่นจะช่วยลดอันตรายที่เกิดจากฝุ่นผงได้

#### การใช้และดูแลเครื่องมือไฟฟ้า

18. อย่าฝืนใช้เครื่องมือไฟฟ้า ใช้เครื่องมือไฟฟ้าที่เหมาะสมกับการใช้งานของคุณ เครื่องมือไฟฟ้าที่เหมาะสมจะทำให้ได้งานที่มีประสิทธิภาพและปลอดภัยกว่าตามขีดความสามารถของเครื่องที่ได้รับการออกแบบมา
19. อย่าใช้เครื่องมือไฟฟ้า หากสวิตช์ไม่สามารถเปิดปิดได้ เครื่องมือไฟฟ้าที่ควบคุมด้วยสวิตช์ไม่ได้เป็นอันตรายและต้องได้รับการซ่อมแซม
20. ถอดปลั๊กจากแหล่งจ่ายไฟ และ/หรือชุดแบตเตอรี่ออกจากเครื่องมือไฟฟ้าก่อนทำการปรับแต่ง เปลี่ยนอุปกรณ์เสริม หรือจัดเก็บเครื่องมือไฟฟ้า วิธีการป้องกันด้านความปลอดภัยดังกล่าวจะช่วยลดความเสี่ยงของการเปิดใช้งานเครื่องมือไฟฟ้าอย่างไม่ตั้งใจ
21. จัดเก็บเครื่องมือไฟฟ้าที่ไม่ได้ใช้งานให้ห่างจากมือเด็ก และอย่าอนุญาตให้บุคคลที่ไม่คุ้นเคยกับเครื่องมือไฟฟ้า หรือคำแนะนำเหล่านี้ใช้งานเครื่องมือไฟฟ้า เครื่องมือไฟฟ้าจะเป็นอันตรายเมื่ออยู่ในมือของผู้ที่ไม่ได้รับการฝึกอบรม
22. การดูแลรักษาเครื่องมือไฟฟ้า ตรวจสอบการประกอบที่ไม่ถูกต้องหรือการเชื่อมต่อของชิ้นส่วนที่เคลื่อนที่ การแตกหักของชิ้นส่วน หรือสภาพอื่น ๆ ที่อาจส่งผลกระทบต่อการทำงานของเครื่องมือไฟฟ้า หากมีความเสียหายให้นำเครื่องมือไฟฟ้าไปซ่อมแซมก่อนการใช้งาน อุบัติเหตุจำนวนมากเกิดจากการดูแลรักษาเครื่องมือไฟฟ้าอย่างไม่ถูกต้อง
23. ลับความคมและทำความสะอาดเครื่องมือการตัดอยู่เสมอ เครื่องมือการตัดที่มีการดูแลอย่างถูกต้องและมีขอบการตัดคมมักจะมีปัญหาติดขัดน้อยและควบคุมได้ง่ายกว่า
24. ใช้เครื่องมือไฟฟ้า อุปกรณ์เสริม และวัสดุสิ้นเปลือง ฯลฯ ตามคำแนะนำดังกล่าว พิจารณาสภาพการทำงานและงานที่จะลงมือทำ การใช้เครื่องมือไฟฟ้าเพื่อทำงานอื่นนอกเหนือจากที่กำหนดไว้อาจทำให้เกิดอันตราย



## การบริการ

- นำเครื่องมือไฟฟ้าเข้ารับบริการจากช่างซ่อมที่ผ่านการรับรองโดยใช้อะไหล่แบบเดียวกันเท่านั้น เพราะจะทำให้การใช้เครื่องมือไฟฟ้ามีความปลอดภัย
- ปฏิบัติตามคำแนะนำในการหล่อลื่นและการเปลี่ยนอุปกรณ์เสริม
- ดูแลมือจับให้แห้ง สะอาด และไม่มีน้ำมันและจาระบีเปื้อน

GEB009-6

## คำเตือนด้านความปลอดภัยของ ประแจกระแทก

- ถือเครื่องมือไฟฟ้าบริเวณมือจับที่เป็นฉนวนขณะทำงาน โดยที่ตัวชิ้นอาจสัมผัสกับสายไฟที่ซ่อนอยู่หรือสายไฟของเครื่องเองตัวชิ้นที่สัมผัสกับสายไฟที่ "มีกระแสไฟฟ้าไหลผ่าน" อาจทำให้ส่วนที่เป็นโลหะของเครื่องมือไฟฟ้าที่ไม่มีฉนวนหุ้ม "มีกระแสไฟฟ้าไหลผ่าน" และทำให้ผู้ปฏิบัติงานถูกไฟฟ้าช็อตได้
- สวมใส่อุปกรณ์ป้องกันเสียง
- ตรวจสอบหัวบ็อกซ์ว่ามีกรีนบีน ฉีกขาด หรือความเสียหายหรือไม่ก่อนการติดตั้ง
- จับเครื่องมือให้แน่น
- ตรวจสอบบริเวณที่ยืนให้มีความมั่นคงเสมอ หากใช้งานเครื่องมือในพื้นที่สูง ระวังอย่าให้มืออยู่ด้านล่าง
- แรงบิดที่เหมาะสมในการใช้งานอาจแตกต่างกันไปตามขนาดและชนิดของน็อต ควรตรวจสอบแรงบิดที่เหมาะสมด้วยประแจวัดแรงบิด

## ปฏิบัติตามคำแนะนำเหล่านี้

### ⚠ คำเตือน:

อย่าให้ความไม่ระมัดระวังหรือความคุ้นเคยกับผลิตภัณฑ์ (จากการใช้งานซ้ำหลายครั้ง) อยู่เหนือการปฏิบัติตามกฎเกณฑ์ด้านความปลอดภัยในการใช้งานผลิตภัณฑ์อย่างเคร่งครัด การใช้งานอย่างไม่เหมาะสมหรือการไม่ปฏิบัติตามกฎเกณฑ์ด้านความปลอดภัยในคู่มือใช้งานนี้อาจก่อให้เกิดการบาดเจ็บอย่างรุนแรง

## คำอธิบายการทำงาน

### ⚠ ข้อควรระวัง:

- ตรวจสอบให้แน่ใจว่าสวิตช์เครื่องมืออยู่ในตำแหน่งปิดเครื่อง และถอดปลั๊กเครื่องมือออกก่อนปรับตั้งหรือตรวจสอบการทำงานของเครื่องมือ

## การทำงานของสวิตช์ (ภาพที่ 1)

### ⚠ ข้อควรระวัง:

- ก่อนเสียบปลั๊กเครื่องมือ ให้ตรวจสอบว่าสวิตช์สั่งงานสามารถทำงานได้อย่างถูกต้อง และกลับไปยังตำแหน่ง "OFF" เมื่อปล่อย
- เปลี่ยนทิศทางการหมุนเฉพาะเมื่อเครื่องมือหยุดสนิทเท่านั้น การเปลี่ยนทิศทางการหมุนก่อนเครื่องมือหยุดสนิทอาจทำให้เครื่องมือเสียหายได้

สวิตช์สามารถกลับทิศทางได้โดยให้หมุนตามเข็มนาฬิกาหรือหมุนทวนเข็มนาฬิกา เปิดใช้เครื่องมือโดยดึงส่วนของสวิตช์สั่งงานเพื่อให้หมุนตามเข็มนาฬิกา หรือดึงส่วนบนเพื่อให้หมุนทวนเข็มนาฬิกา ปล่อยสวิตช์สั่งงานเพื่อหยุดทำงาน

## การประกอบ

### ⚠ ข้อควรระวัง:

- ตรวจสอบให้แน่ใจว่าสวิตช์เครื่องมืออยู่ในตำแหน่งปิดเครื่อง และถอดปลั๊กเครื่องมือออกก่อนดำเนินการใดๆ กับเครื่องมือ

## การเลือกหัวบ็อกซ์ที่เหมาะสม

ใช้หัวบ็อกซ์ที่เหมาะสมกับขนาดของสลักเกลียวและน็อตเสมอ การใช้หัวบ็อกซ์ที่มีขนาดไม่เหมาะสมอาจเป็นทำให้ไม่สามารถขันแน่นหรือมีแรงขันไม่เพียงพอ และ/หรือ ทำให้สลักเกลียวหรือน็อตเสียหายได้

## การติดตั้งหรือการถอดหัวบ็อกซ์

### ⚠ ข้อควรระวัง:

- ตรวจสอบให้แน่ใจว่าได้ปิดสวิตช์เครื่องมือและถอดปลั๊กออกก่อนทำการติดตั้งหรือถอดหัวบ็อกซ์

## สำหรับหัวบ็อกซ์ที่ไม่มีโอริงหรือสลัก (ภาพที่ 2)

วิธีการติดตั้งหัวบ็อกซ์ ให้กดใส่ลงในช่องยึดของอุปกรณ์จนหัวบ็อกซ์ล็อกเข้าที่

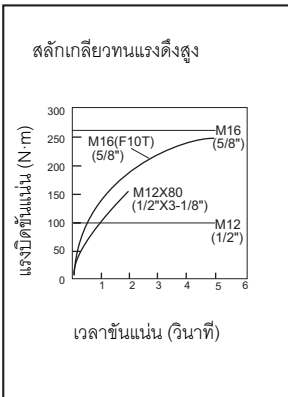
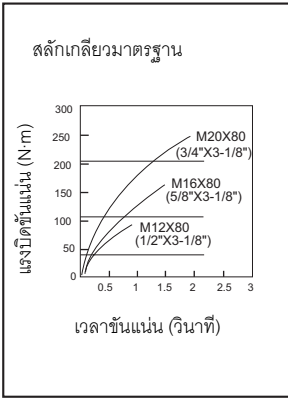
วิธีการถอดหัวบ็อกซ์ เพียงแคดึงออก

## สำหรับหัวบ็อกซ์ที่มีโอริงหรือสลัก (ภาพที่ 3)

เลื่อนโอริงออกจากร่องในหัวบ็อกซ์และนำสลักออกจากหัวบ็อกซ์ ใส่หัวบ็อกซ์เข้าสู่ช่องยึดของเครื่องมือโดยให้รูของหัวบ็อกซ์นั้นตรงกับรูของช่องยึด ใส่สลักเข้าไปในรูของหัวบ็อกซ์และช่องยึด แล้วใส่โอริงเข้าไปในตำแหน่งเดิมในร่องของหัวบ็อกซ์เพื่อรองสลัก เมื่อต้องการถอดหัวบ็อกซ์ ให้ปฏิบัติย้อนขั้นตอนการติดตั้ง

## การใช้งาน

แรงบิดขั้นต่ำที่เหมาะสมอาจแตกต่างกันขึ้นอยู่กับชนิดหรือขนาดของสลักเกลียว วัสดุของชิ้นงานที่จะขันแน่น ฯลฯ ความสัมพันธ์ระหว่างแรงบิดขั้นต่ำและเวลาขันแน่นจะแสดงอยู่ในภาพด้านล่าง



ถือเครื่องมือให้แน่นและมั่นคง ครอบหัวบ็อกซ์ไว้ที่หัวน็อตหรือสลักเกลียว เปิดเครื่องแล้วทำการขันโดยใช้ระยะเวลาการขันแน่นที่เหมาะสม

**หมายเหตุ:**

- เมื่อขันแน่นสกรู M12 หรือเล็กกว่า ให้ค่อยๆ ดันสวิตช์เพื่อไม่ให้สกรูเสียหาย
  - จับเครื่องมือจ่อไว้ที่สลักเกลียวหรือน็อตโดยไม่ต้องออกแรงกด
  - หากใช้เวลาขันแน่นนานกว่าที่แสดงในภาพ สกรูหรือปลายดอกไขควงอาจรับแรงมากเกินไปทำให้เกลียวรูดหรือเสียหาย ฯลฯ ก่อนที่จะเริ่มงาน ให้ทำงานทดสอบเพื่อกำหนดเวลาขันแน่นที่เหมาะสมสำหรับสลักเกลียวของคุณ โดยเฉพาะอย่างยิ่งสำหรับสลักเกลียวขนาดใหญ่กว่า M12 การทดสอบการทำงานจะช่วยลดปัญหาที่จะเกิดกับหัวบ็อกซ์หรือสลักเกลียว ฯลฯ ได้
- แรงบิดขันแน่นอาจเปลี่ยนแปลงไปขึ้นอยู่กับปัจจัยต่างๆ ดังต่อไปนี้

1. แรงดันไฟฟ้า

- การเกิดแรงดันไฟฟ้าตกอาจจะทำให้แรงบิดขันแน่นลดลงได้

2. หัวบ็อกซ์

- การใช้หัวบ็อกซ์ขนาดไม่ถูกต้องจะทำให้แรงบิดขันแน่นลดลง
- หัวบ็อกซ์ที่ชำรุด (มีรอยฉีกขาดตรงหัวหรือตรงช่องสี่เหลี่ยม) จะทำให้แรงบิดขันแน่นลดลง

3. สลักเกลียว

- แม้ว่าค่าสัมประสิทธิ์แรงบิดและระดับของสลักเกลียวจะเท่ากัน แต่แรงบิดขันแน่นที่เหมาะสมนั้นจะแตกต่างกันตามเส้นผ่านศูนย์กลางของสลักเกลียว
- แม้ว่าเส้นผ่านศูนย์กลางของสลักเกลียวจะเท่ากัน แรงบิดขันแน่นที่เหมาะสมจะแตกต่างกันตามค่าสัมประสิทธิ์แรงบิด ระดับของสลักเกลียว และความยาวของสลักเกลียว

4. การใช้ข้อต่อเนกประสงค์หรือคานต่อจะลดแรงบิดขันแน่นของประแจกระแทกขนาดเล็กน้อย จึงควรตรวจเชยแรงบิดขันแน่นที่ลดลงด้วยเวลาการขันแน่นที่นานขึ้น

5. ลักษณะการจับเครื่องมือหรือเนื้อวัสดุในตำแหน่งที่จะขันแน่นจะมีผลต่อแรงบิด

**การบำรุงรักษา**

**⚠ ข้อควรระวัง:**

- ตรวจสอบให้แน่ใจว่าได้ปิดสวิตช์เครื่องมือและถอดปลั๊กออกก่อนทำการตรวจสอบหรือบำรุงรักษา
- อย่าใช้น้ำมันเชื้อเพลิง เบนซิน ทินเนอร์ แอลกอฮอล์ หรือวัสดุประเภทเดียวกัน เพราะอาจทำให้เครื่องมือมีสีซีดจาง ผิดรูปทรงหรือแตกหักได้

**การเปลี่ยนแปรงคาร์บอน**

ถอดแปรงคาร์บอนออกมาตรวจสอบเป็นประจำ เปลี่ยนแปรงคาร์บอนเมื่อสึกหรองจนถึงขีดจำกัด รักษาแปรงคาร์บอนให้สะอาด และอย่าให้แปรงคาร์บอนหลุดเข้าไปในที่ยึด ควรเปลี่ยนแปรงคาร์บอนทั้งสองแปรงพร้อมกัน ใช้แปรงคาร์บอนที่กำหนดเท่านั้น (ภาพที่ 4)

ใช้ไขควงเพื่อถอดฝาปิดที่ยึดแปรงออก นำแปรงคาร์บอนที่สึกหรอออกมา ใส่แปรงคาร์บอนใหม่เข้าไป และปิดฝาปิดที่ยึดแปรงให้แน่น (ภาพที่ 5)

เพื่อความปลอดภัยและความน่าเชื่อถือของผลิตภัณฑ์ ควรให้ศูนย์บริการที่ผ่านการรับรองจาก Makita เป็นผู้ดำเนินการซ่อมแซมบำรุงรักษา และทำการปรับตั้งอื่นๆ นอกจากนี้ให้ใช้อะไหล่ของแท้จาก Makita เสมอ

**อุปกรณ์เสริม**

**⚠ ข้อควรระวัง:**

- ขอแนะนำให้ใช้เฉพาะอุปกรณ์เสริมหรืออุปกรณ์ต่อพ่วงเหล่านี้กับเครื่องมือ Makita ที่ระบุในคู่มือ การใช้อุปกรณ์เสริมหรืออุปกรณ์ต่อพ่วงอื่นๆ อาจมีความเสี่ยงที่จะได้รับบาดเจ็บ ใช้

อุปกรณ์เสริมหรืออุปกรณ์ต่อพ่วงตามวัตถุประสงค์ที่ระบุไว้เท่านั้น

หากคุณต้องการทราบรายละเอียดเกี่ยวกับอุปกรณ์เสริมเหล่านี้โปรดสอบถามศูนย์บริการ Makita ใกล้บ้านคุณ

- หัวบ็อกซ์
- คานต่อ
- ข้อต่อเอนกประสงค์

**หมายเหตุ:**

- อุปกรณ์บางรายการอาจรวมอยู่ในชุดอุปกรณ์พื้นฐานของผลิตภัณฑ์ ซึ่งอาจแตกต่างกันไปในแต่ละประเทศ

**Makita Corporation**

Anjo, Aichi, Japan

[www.makita.com](http://www.makita.com)

884486-371

TRD