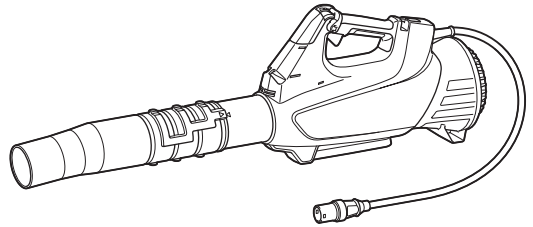


INSTRUCTION MANUAL



Battery Powered Blower

UB001C



Read before use.

SPECIFICATIONS

Model:		UB001C
Capacities	Air volume	0 - 17.6 m ³ /min
	Air speed (average)	0 - 58.0 m/s
	Air speed (max.)	0 - 70.0 m/s
Overall length (with end nozzle)		960 mm / 1,010 mm / 1,060 mm
Rated voltage		D.C. 36 V - 40 V max
Net weight		2.6 - 2.9 kg
Protection degree		IPX4

- Due to our continuing program of research and development, the specifications herein are subject to change without notice.
- Specifications may differ from country to country.
- Weight according to EPTA-Procedure 01/2014






Applicable portable power pack

PDC1200 / PDC01

⚠ WARNING: Only use the portable power packs listed above. Use of any other portable power packs may cause injury and/or fire.

Symbols

The followings show the symbols which may be used for the equipment. Be sure that you understand their meaning before use.

	Take particular care and attention.
	Read instruction manual.
	Keep hands away from rotating parts.
	Long hair may cause entanglement accident.
	Keep bystanders away.
	Wear eye and ear protection.
	Do not expose to moisture.
 Ni-MH Li-Ion	Only for EU countries Do not dispose of electric equipment or battery pack together with household waste material! In observance of the European Directives, on Waste Electric and Electronic Equipment and Batteries and Accumulators and Waste Batteries and Accumulators and their implementation in accordance with national laws, electric equipment and batteries and battery pack(s) that have reached the end of their life must be collected separately and returned to an environmentally compatible recycling facility.

Intended use

The machine is intended for blowing dust.

Noise

The typical A-weighted noise level determined according to EN50636-2-100:

Sound pressure level (L_{pA}) : 83.4 dB(A)
 Uncertainty (K) : 2.2 dB(A)
 Sound power level (L_{WA}) : 91.4 dB (A)
 Uncertainty (K) : 2.5 dB(A)

NOTE: The declared noise emission value(s) has been measured in accordance with a standard test method and may be used for comparing one tool with another.

NOTE: The declared noise emission value(s) may also be used in a preliminary assessment of exposure.

⚠ WARNING: Wear ear protection.

⚠ WARNING: The noise emission during actual use of the power tool can differ from the declared value(s) depending on the ways in which the tool is used especially what kind of workpiece is processed.

⚠ WARNING: Be sure to identify safety measures to protect the operator that are based on an estimation of exposure in the actual conditions of use (taking account of all parts of the operating cycle such as the times when the tool is switched off and when it is running idle in addition to the trigger time).

Vibration

The vibration total value (tri-axial vector sum) determined according to EN50636-2-100:

Work mode: operation without load
 Vibration emission (a_h) : 2.5 m/s² or less
 Uncertainty (K) : 1.5 m/s²

NOTE: The declared vibration total value(s) has been measured in accordance with a standard test method and may be used for comparing one tool with another.

NOTE: The declared vibration total value(s) may also be used in a preliminary assessment of exposure.

⚠WARNING: The vibration emission during actual use of the power tool can differ from the declared value(s) depending on the ways in which the tool is used especially what kind of workpiece is processed.

⚠WARNING: Be sure to identify safety measures to protect the operator that are based on an estimation of exposure in the actual conditions of use (taking account of all parts of the operating cycle such as the times when the tool is switched off and when it is running idle in addition to the trigger time).

EC Declaration of Conformity

For European countries only

The EC declaration of conformity is included as Annex A to this instruction manual.

SAFETY WARNINGS

Battery Powered Blower Safety Instructions

⚠WARNING: Read all safety warnings and all instructions. Failure to follow the warnings and instructions may result in electric shock, fire and/or serious injury.

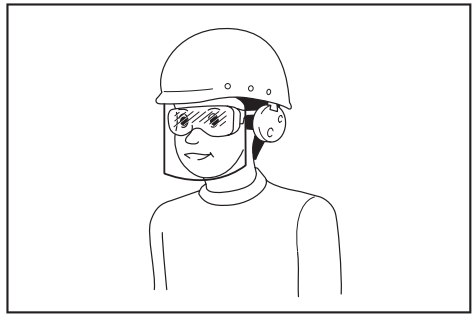
Save all warnings and instructions for future reference.

Training

1. Read the instructions carefully. Be familiar with the controls and the correct use of the blower.
2. Never allow children, persons with reduced physical, sensory or mental capabilities or lack of experience and knowledge or people unfamiliar with these instructions to use the blower. Local regulations may restrict the age of the operator.
3. Never operate the blower while people, especially children, or pets are nearby.
4. Keep in mind that the operator or user is responsible for accidents or hazards occurring to other people or their property.

Preparation

1. Always wear substantial footwear and long trousers while operating the blower.
2. Do not wear loose clothing or jewellery that can be drawn into the air inlet. Keep long hair away from the air inlets.
3. Always wear protective goggles to protect your eyes from injury when using power tools. The goggles must comply with ANSI Z87.1 in the USA, EN 166 in Europe, or AS/NZS 1336 in Australia/New Zealand. In Australia/New Zealand, it is legally required to wear a face shield to protect your face, too.



It is an employer's responsibility to enforce the use of appropriate safety protective equipments by the tool operators and by other persons in the immediate working area.

4. To prevent dust irritation the wearing of a face mask is recommended.
5. While operating the machine, always wear non-slip and protective footwear. Non-skid, closed-toed safety boots and shoes will reduce the risk of injury.
6. Use personal protective equipment. Always wear eye protection. Protective equipment such as a dust mask, non-skid safety shoes, hard hat or hearing protection used for appropriate conditions will reduce personal injuries.
7. Inspect the cord before operating the machine. If the cord is damaged, ask Makita Authorized Service Centers for repair.

Operation

1. Switch off the blower and remove the battery and make sure that all moving parts have come to a complete stop
 - whenever you leave the blower.
 - before clearing blockages.
 - before checking, cleaning or working on the blower.
 - if the blower starts to vibrate abnormally.
2. Operate the blower only in daylight or in good artificial light.
3. Do not overreach and keep proper balance and footing at all times.
4. Always be sure of your footing on slopes.
5. Walk, never run.
6. Keep all cooling air inlets clear of debris.
7. Never blow debris in the direction of bystanders.
8. Operate the blower in a recommended position and on a firm surface.
9. Do not operate the blower at high places.
10. Never point the nozzle at anyone in the vicinity when using the blower.
11. Never block suction inlet and/or blower outlet.
 - Be careful not to block suction inlet or blower outlet with dust or dirt when operating in dusty area.
 - Do not use nozzles other than the nozzles provided by Makita.
 - Do not use the blower to inflate balls, rubber boat or the similar.
12. Do not operate the blower near open window, etc.
13. Operating the blower only at reasonable hours is recommended - not early in the morning or late at night when people might be disturbed.

14. Using rakes and brooms to loosen debris before blowing is recommended.
15. If the blower strikes any foreign objects or should start making any unusual noise or vibration, immediately switch off the blower to stop it. Remove the battery from the blower and inspect the blower for damage before restarting and operating the blower. If the blower is damaged, ask Makita Authorized Service Centers for repair.
16. Do not insert fingers or other objects into suction inlet or blower outlet.
17. Prevent unintentional starting. Ensure the switch is in the off-position before inserting battery, picking up or carrying the blower. Carrying the blower with your finger on the switch or energizing the blower that has the switch on invites accidents.
18. Never blow dangerous materials, such as nails, fragments of glass, or blades.
19. Do not operate the blower near flammable materials.
20. Avoid operating the blower for a long time in low temperature environment.
21. Do not use the machine when there is a risk of lightning.
22. When you use the machine on muddy ground, wet slope, or slippery place, pay attention to your footing.
23. Avoid working in poor environment where increased user fatigue is expected.
24. Do not use the machine in bad weather where visibility is limited. Failure to do so may cause fall or incorrect operation due to low visibility.
25. Do not submerge the machine into a puddle.
26. When wet leaves or dirt adhere to the suction mouth (ventilation window) due to rain, remove them.

Maintenance and storage

1. Keep all nuts, bolts and screws tight to be sure the blower is in safe working condition.
2. If the parts are worn or damaged, replace them with parts provided by Makita.
3. Store the blower in a dry place out of the reach of children.
4. When you stop the blower for inspection, servicing, storage, or changing accessory, switch off the blower and make sure that all moving parts come to a complete stop, and remove the battery. Cool down the blower before making any work on the blower. Maintain the blower with care and keep it clean.
5. Always cool down the blower before storing.
6. Do not expose the blower to rain. Store the blower indoors.
7. When you lift the blower, be sure to bend your knees and be careful not to hurt your back.
8. Do not leave the machine unattended outdoors in the rain.
9. Do not wash the machine with high pressure water.
10. When storing the machine, avoid direct sunlight and rain, and store it in a place where it does not get hot or humid.
11. Perform inspection or maintenance in a place where rain can be avoided.

12. After using the machine, remove the adhered dirt and dry the machine completely before storing. Depending on the season or the area, there is a risk of malfunction due to freezing.
13. Do not pick up or carry the machine by holding only the cord.

Battery tool use and care

1. Recharge only with the charger specified by the manufacturer. A charger that is suitable for one type of battery pack may create a risk of fire when used with another battery pack.
2. Use power tools only with specifically designed battery packs. Use of any other battery packs may create a risk of injury and fire.
3. When battery pack is not in use, keep it away from other metal objects, like paper clips, coins, keys, nails, screws or other small metal objects, that can make a connection from one terminal to another. Shorting the battery terminals together may cause burns or a fire.
4. Under abusive conditions, liquid may be ejected from the battery; avoid contact. If contact accidentally occurs, flush with water. If liquid contacts eyes, additionally seek medical help. Liquid ejected from the battery may cause irritation or burns.
5. Do not use a battery pack or tool that is damaged or modified. Damaged or modified batteries may exhibit unpredictable behaviour resulting in fire, explosion or risk of injury.
6. Do not expose a battery pack or tool to fire or excessive temperature. Exposure to fire or temperature above 130 °C may cause explosion.
7. Follow all charging instructions and do not charge the battery pack or tool outside the temperature range specified in the instructions. Charging improperly or at temperatures outside the specified range may damage the battery and increase the risk of fire.

Electrical and battery safety

1. Do not dispose of the battery(ies) in a fire. The cell may explode. Check with local codes for possible special disposal instructions.
2. Do not open or mutilate the battery(ies). Released electrolyte is corrosive and may cause damage to the eyes or skin. It may be toxic if swallowed.
3. Do not charge battery in rain, or in wet locations.
4. Do not charge the battery outdoors.
5. Do not handle charger, including charger plug, and charger terminals with wet hands.
6. Do not replace the battery in the rain.
7. Do not wet the terminal of battery with liquid such as water, or submerge the battery. Do not leave the battery in the rain, nor charge, use, or store the battery in a damp or wet place. If the terminal gets wet or liquid enters inside of battery, the battery may be short circuited and there is a risk of overheating, fire, or explosion.
8. After removing the battery from the machine or charger, be sure to attach the battery cover to the battery and store it in a dry place.
9. Do not replace the battery with wet hands.
10. If the battery gets wet, drain the water inside and then wipe it with a dry cloth. Dry the battery completely in a dry place before use.

Service

1. Have your power tool serviced by a qualified repair person using only identical replacement parts. This will ensure that the safety of the power tool is maintained.
2. Never service damaged battery packs. Service of battery packs should only be performed by the manufacturer or authorized service providers.

SAVE THESE INSTRUCTIONS.

⚠WARNING: DO NOT let comfort or familiarity with product (gained from repeated use) replace strict adherence to safety rules for the subject product. MISUSE or failure to follow the safety rules stated in this instruction manual may cause serious personal injury.

Important safety instructions for battery cartridge

1. Before using battery cartridge, read all instructions and cautionary markings on (1) battery charger, (2) battery, and (3) product using battery.
2. Do not disassemble or tamper the battery cartridge. It may result in a fire, excessive heat, or explosion.
3. If operating time has become excessively shorter, stop operating immediately. It may result in a risk of overheating, possible burns and even an explosion.
4. If electrolyte gets into your eyes, rinse them out with clear water and seek medical attention right away. It may result in loss of your eyesight.
5. Do not short the battery cartridge:
 - (1) Do not touch the terminals with any conductive material.
 - (2) Avoid storing battery cartridge in a container with other metal objects such as nails, coins, etc.
 - (3) Do not expose battery cartridge to water or rain.

A battery short can cause a large current flow, overheating, possible burns and even a breakdown.

6. Do not store and use the tool and battery cartridge in locations where the temperature may reach or exceed 50 °C (122 °F).
7. Do not incinerate the battery cartridge even if it is severely damaged or is completely worn out. The battery cartridge can explode in a fire.
8. Do not nail, cut, crush, throw, drop the battery cartridge, or hit against a hard object to the battery cartridge. Such conduct may result in a fire, excessive heat, or explosion.
9. Do not use a damaged battery.
10. The contained lithium-ion batteries are subject to the Dangerous Goods Legislation requirements. For commercial transports e.g. by third parties, forwarding agents, special requirement on packaging and labeling must be observed. For preparation of the item being shipped, consulting an expert for hazardous material is required. Please also observe possibly more detailed national regulations. Tape or mask off open contacts and pack up the battery in such a manner that it cannot move around in the packaging.

11. When disposing the battery cartridge, remove it from the tool and dispose of it in a safe place. Follow your local regulations relating to disposal of battery.
12. Use the batteries only with the products specified by Makita. Installing the batteries to non-compliant products may result in a fire, excessive heat, explosion, or leak of electrolyte.
13. If the tool is not used for a long period of time, the battery must be removed from the tool.
14. During and after use, the battery cartridge may take on heat which can cause burns or low temperature burns. Pay attention to the handling of hot battery cartridges.
15. Do not touch the terminal of the tool immediately after use as it may get hot enough to cause burns.
16. Do not allow chips, dust, or soil stuck into the terminals, holes, and grooves of the battery cartridge. It may result in poor performance or breakdown of the tool or battery cartridge.
17. Unless the tool supports the use near high-voltage electrical power lines, do not use the battery cartridge near high-voltage electrical power lines. It may result in a malfunction or breakdown of the tool or battery cartridge.
18. Keep the battery away from children.

SAVE THESE INSTRUCTIONS.

⚠CAUTION: Only use genuine Makita batteries. Use of non-genuine Makita batteries, or batteries that have been altered, may result in the battery bursting causing fires, personal injury and damage. It will also void the Makita warranty for the Makita tool and charger.

Tips for maintaining maximum battery life

1. Charge the battery cartridge before completely discharged. Always stop tool operation and charge the battery cartridge when you notice less tool power.
2. Never recharge a fully charged battery cartridge. Overcharging shortens the battery service life.
3. Charge the battery cartridge with room temperature at 10 °C - 40 °C (50 °F - 104 °F). Let a hot battery cartridge cool down before charging it.
4. When not using the battery cartridge, remove it from the tool or the charger.
5. Charge the battery cartridge if you do not use it for a long period (more than six months).

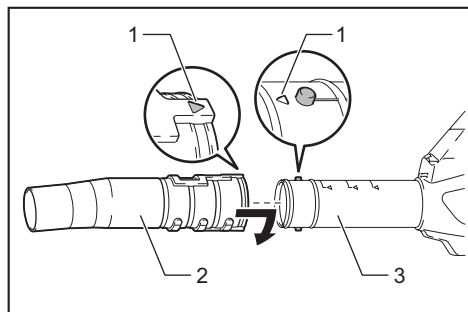
ASSEMBLY

⚠CAUTION: Always be sure that the machine is switched off and the portable power pack is disconnected from the machine before carrying out any work on the machine.

Installing the end nozzle

Align the triangle mark on the end nozzle with the triangle mark on the front pipe, then attach the end nozzle to the front pipe, and then turn the end nozzle to lock it into place.

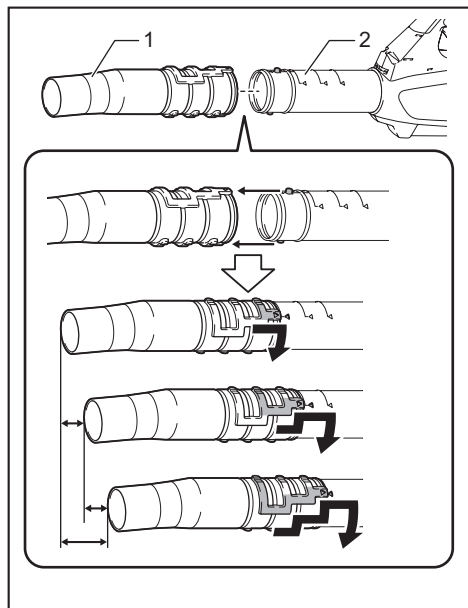
Install the end nozzle so that the tip of the nozzle faces downward. Depending on the working environment, you can install the end nozzle so that the tip of the nozzle is facing up.



► 1. Triangle mark 2. End nozzle 3. Front pipe

To remove the end nozzle, perform the installation procedure in reverse.

NOTE: The length of the nozzle can be changed by moving the nozzle as shown in the figure.

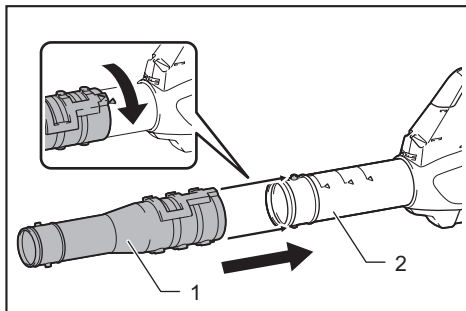


► 1. End nozzle 2. Front pipe

Installing the flat nozzle or extension nozzle

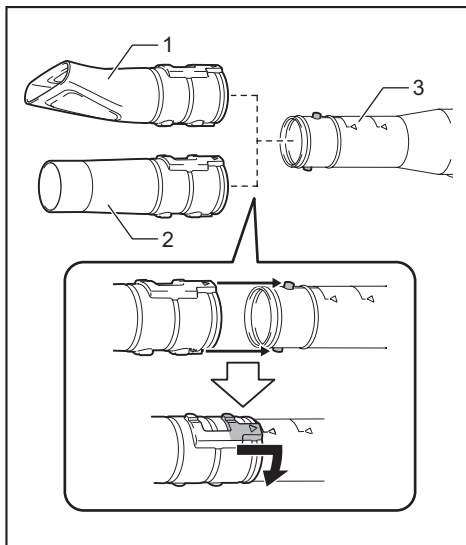
Optional accessory

1. Align the groove on the adapter pipe with the protrusion on the front pipe, then attach the adapter pipe to the front pipe, and then turn it to lock it into place.



► 1. Adapter pipe 2. Front pipe

2. Align the groove on the flat nozzle or extension nozzle with the protrusion on the adapter pipe, then attach the flat nozzle or extension nozzle to the adapter pipe, and then turn it to lock it into place.



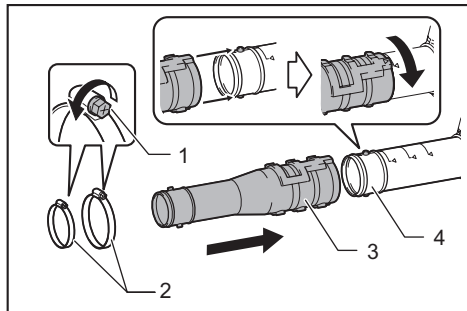
► 1. Flat nozzle 2. Extension nozzle 3. Adapter pipe

Installing the gutter nozzle set

Optional accessory

1. Align the groove on the adapter pipe with the protrusion on the front pipe, then attach the adapter pipe to the front pipe, and then turn it to lock it into place.

Insert the adapter pipe as far as it will go so that the protrusion fits into the deepest groove on the adapter pipe.

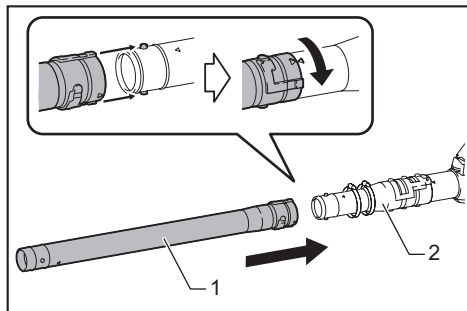


► 1. Screw 2. Hose clamp 3. Adapter pipe 4. Front pipe

2. Loosen the screws on the hose clamps, and pass the large hose clamp through the adapter pipe, and then pass the small hose clamp.

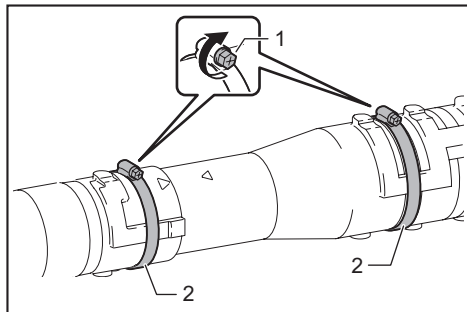
3. Connect the extension pipe to the adapter pipe.

Align the groove on the extension pipe with the protrusion on the adapter pipe, and then slide the extension pipe along its groove so that the triangle markings face each other.



► 1. Extension pipe 2. Adapter pipe

4. Place the hose clamps onto the grooves as illustrated and tighten the screws.

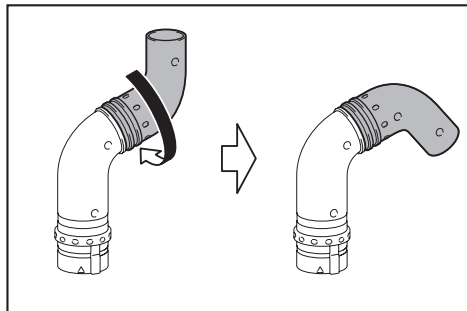


► 1. Screw 2. Hose clamp

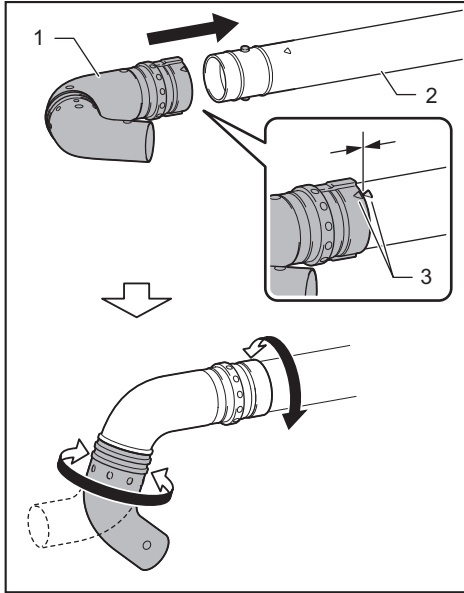
5. According to the working height, connect the rest of extension pipes to the extension pipe which has already been attached.

CAUTION: Do not attach the extension pipe if the total length including the blower body exceeds 4 m (14 ft).

6. Turn the outlet of the end nozzle as shown in the figure.

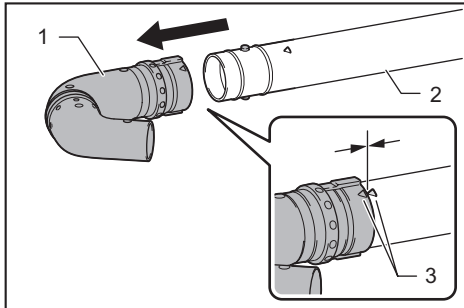


7. Connect the end nozzle to the extension pipe. When connecting, align the triangle marking on the end nozzle and the extension pipe, and then push the end nozzle until it clicks. After that, rotate the end nozzle to a suitable position for your work.



► 1. End nozzle 2. Extension pipe 3. Triangle marking

When removing the end nozzle, align the triangle markings on the end nozzle and extension pipe, and then pull out the end nozzle from the extension pipe.



► 1. End nozzle 2. Extension pipe 3. Triangle marking

FUNCTIONAL DESCRIPTION

⚠ CAUTION: Always be sure that the machine is switched off and the portable power pack is disconnected from the machine before adjusting or checking function on the machine.

Machine / battery protection system

The machine is equipped with a machine/battery protection system. This system automatically cuts off power to the motor to extend machine and battery life. The machine will automatically stop during operation if the machine or battery is placed under one of the following conditions:

Overload protection

When the machine or battery is operated in a manner that causes it to draw an abnormally high current, the machine automatically stops and the main power lamp of the machine blinks in green. In this situation, turn the machine off and stop the application that caused the machine to become overloaded. Then turn the machine on to restart.

Overheat protection

When the machine or battery is overheated, the machine stops automatically. When the machine is overheated, the main power lamp of the machine lights up in red. When the battery is overheated, the main power lamp of the machine blinks in red. Let the machine and battery cool down before turning the machine on again.

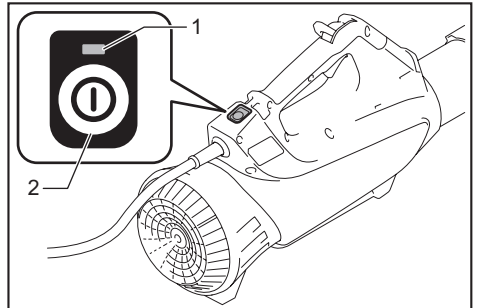
Overdischarge protection

When the battery capacity is not enough, the machine stops automatically and the main power lamp of the machine blinks in red. In this case, remove the battery from the machine and charge the battery or change the battery to fully charged one.

Main power switch

⚠ WARNING: Always turn off the main power switch when not in use.

To turn on the machine, press the main power switch. The main power lamp lights up in green. To turn off, press the main power switch again.



► 1. Main power lamp 2. Main power switch

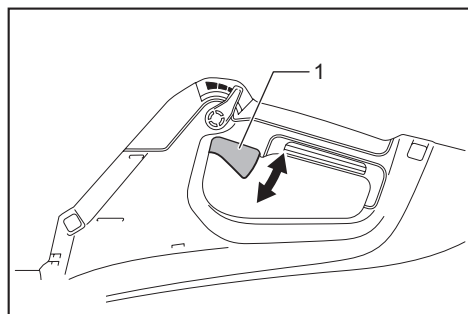
NOTE: This machine employs the auto power-off function. To avoid unintentional start up, the main power switch will automatically shut down when the switch trigger is not pulled for a certain period after the main power switch is turned on.

NOTE: If you press the main power switch when the control lever is not fully returned to the off position, or while you are pulling the switch trigger, the main power lamp blinks in green. In this case, fully return the control lever, or release the switch trigger, and then press the main power switch.

Switch action

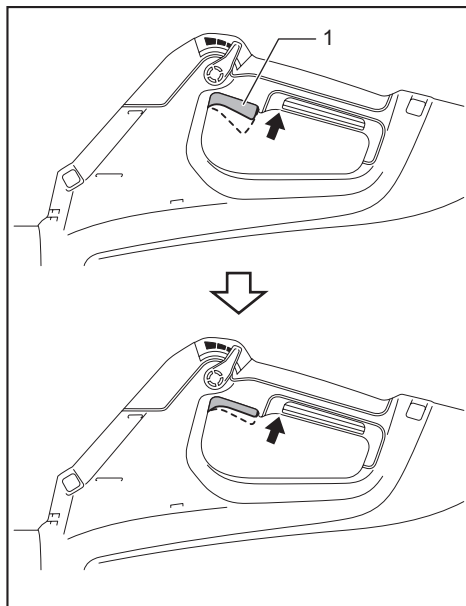
⚠ WARNING: Before connecting the portable power pack to the machine, always check to see that the switch trigger actuates properly and returns to the "OFF" position when released.

To start the machine, simply pull the switch trigger. The speed increases by increasing pressure on the switch trigger. Release the switch trigger to stop.



► 1. Switch trigger

You can use the machine in the Boost mode. In the Boost mode, the air volume becomes larger than in the normal mode. To use the machine in the Boost mode, pull the switch trigger until the switch trigger stops in the halfway position, and then pull the switch trigger fully.



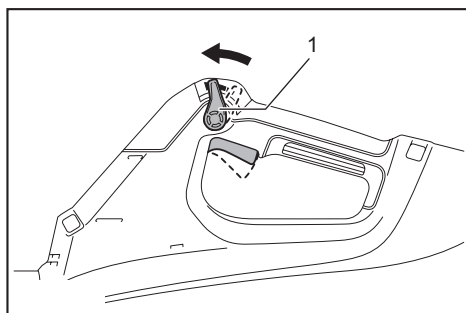
► 1. Switch trigger

NOTE: Depending on the usage conditions, use of the Boost mode is restricted to protect the machine. If the main power lamp of the machine blinks in green when you pull the switch trigger fully or while you are using the machine in the Boost mode, the Boost mode is not available.

NOTE: The Boost mode is not available by turning the control lever.

Cruise control function

The cruise control function allows the operator to maintain a constant speed without pulling the trigger. To increase the speed, turn the control lever forward. To decrease the speed, turn the control lever backward.



► 1. Control lever

Accidental re-start preventive function

Even if you connect the portable power pack to the machine while pulling the switch trigger, the machine does not start. To start the machine, first release the switch trigger and return the control lever fully, and then pull the switch trigger.

OPERATION

Connecting the portable power pack

CAUTION: When you use the machine in combination of the backpack-type power supply such as portable power pack, use the hanging band included in the machine package or the hanging band recommended by Makita.

If you put on the shoulder harness not recommended by Makita and the shoulder harness of the backpack-type power supply at the same time, removing the machine or backpack-type power supply is difficult in case of an emergency, and it may cause an accident or injury. For the recommended hanging band, ask Makita Authorized Service Centers.

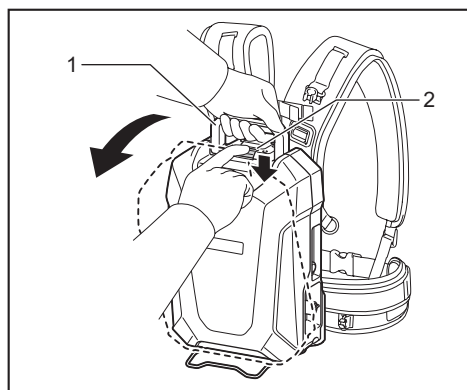
CAUTION: Before operation, make sure that the buckles on the waist belt is locked and the machine is securely attached to the hook of the hanging band.

CAUTION: To prevent unintentional start up, make sure that the machine and portable power pack are turned off before starting this procedure.

CAUTION: Before performing this procedure, finish the adjustments for the waist belt and shoulder harness. Refer to the instruction manual of the portable power pack for details.

For PDC1200

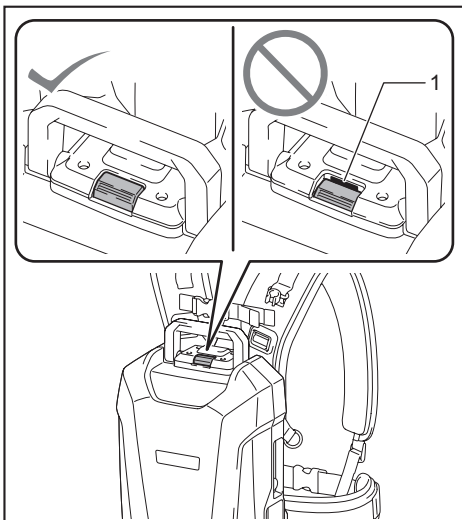
CAUTION: When removing the battery, press the lock button while holding the handle firmly. Before removing the battery, set the waist belt to the lowest position.



► 1. Handle 2. Lock button

CAUTION: Be careful not to pinch your fingers or thumbs between the battery and the base plate when attaching the battery.

CAUTION: Make sure that the battery is securely fixed to the base plate. Otherwise, the battery may fall when you wear the unit or use the unit, and cause an injury. If you can see the red indicator as shown in the figure, the battery is not locked completely.



► 1. Red indicator

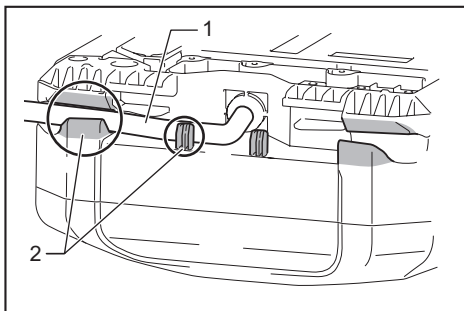
For PDC01

NOTE: Before performing this procedure, install the battery cartridge(s) to the portable power pack. Refer to the instruction manual of the portable power pack for details.

1. Pull out the cord from either left or right side of the battery.

For PDC1200

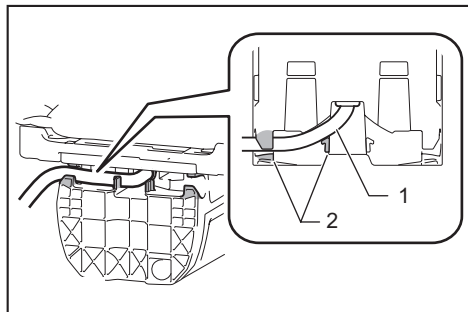
Remove the battery from the base plate, and then pull out the cord from either left or right side of the battery, and then attach the battery to the base plate. When pulling out the cord, be sure to set the cord in the holders as shown in the figure.



► 1. Cord 2. Holder

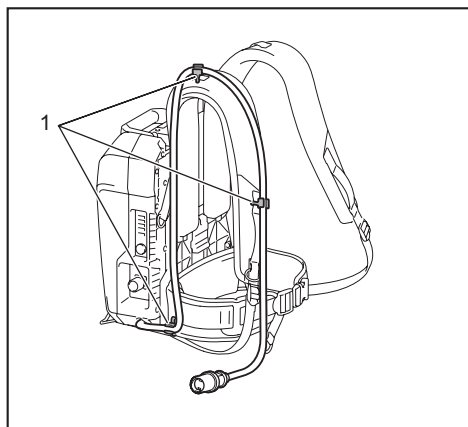
For PDC01

When pulling out the cord, be sure to set the cord in the holders as shown in the figure.



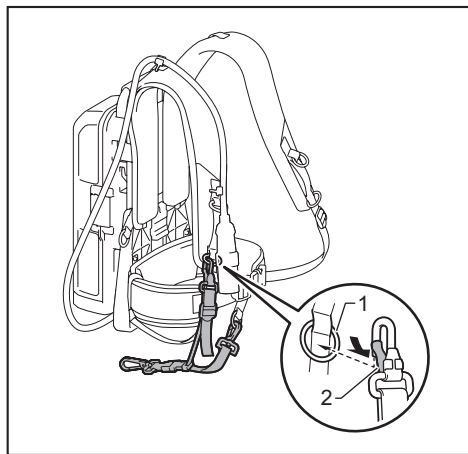
► 1. Cord 2. Holder

2. Attach the cord to the cord holders.



► 1. Cord holder

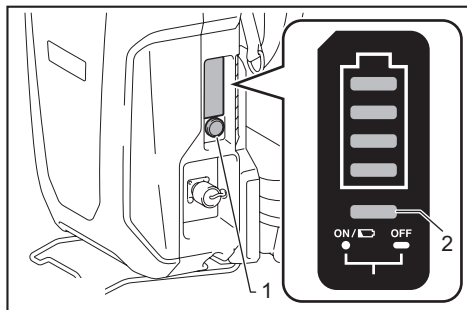
3. Attach the hooks of the hanging band to the rings of the shoulder harness and waist belt.



► 1. Ring 2. Hook

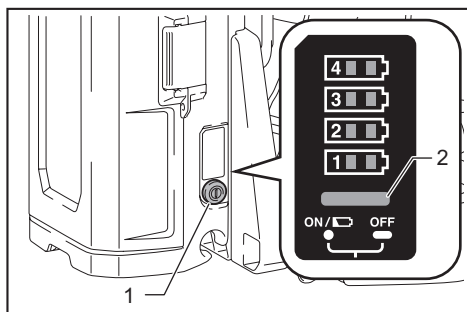
4. Press the power button on the portable power pack. The main power lamp will light up.

For PDC1200



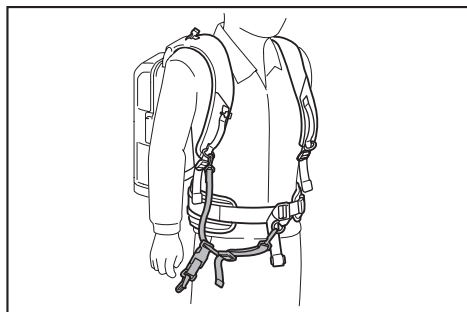
► 1. Power button 2. Main power lamp

For PDC01

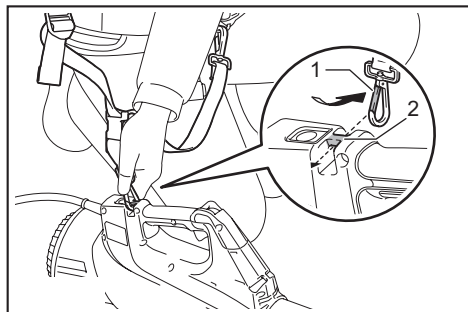


► 1. Power button 2. Main power lamp

5. Wear the shoulder harness of the portable power pack and lock the buckle on the waist belt.

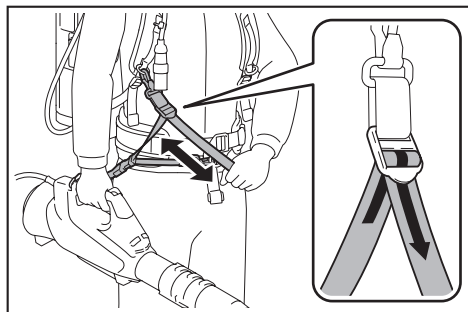


6. Attach the shoulder harness to the machine using the hook on the hanging band. Be sure to hook on the hanger of the machine.



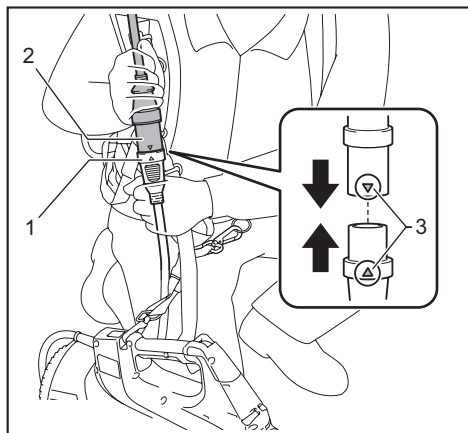
► 1. Hook 2. Hanger

Adjust the length of the hanging band as necessary.



7. Insert the plug of the machine into the socket of the portable power pack.

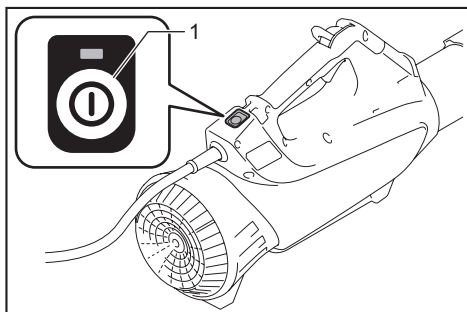
When inserting, align the triangle marking on both the plug and the socket.



► 1. Plug 2. Socket 3. Triangle marking

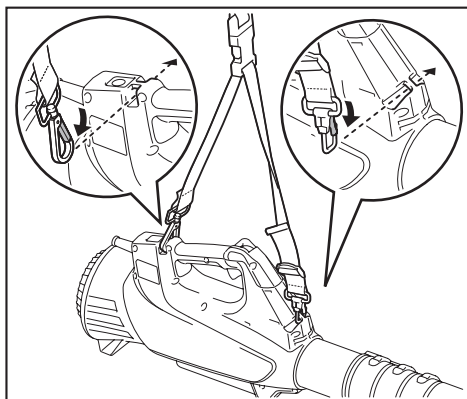
8. Press the main power switch to turn on the machine.

The machine is ready to operate. The machine will run when you pull the switch trigger.

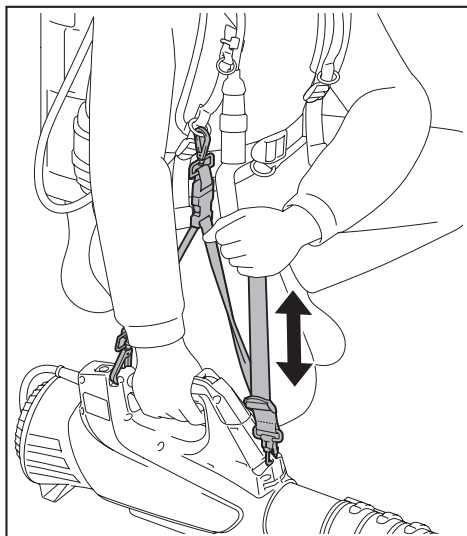


► 1. Main power switch

NOTE: You can also use the hanging band as shown in the figure.



Adjust the length of the hanging band as necessary.



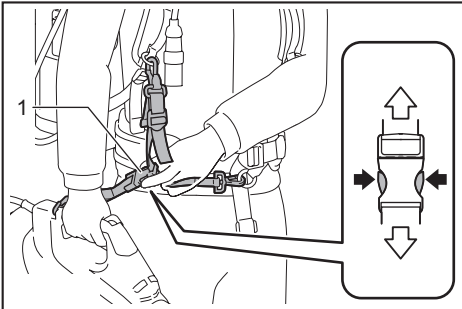
Blower operation

CAUTION: Do not place the machine on the ground while it is switched on. Sand or dust may enter from suction inlet and cause a malfunction or personal injury.

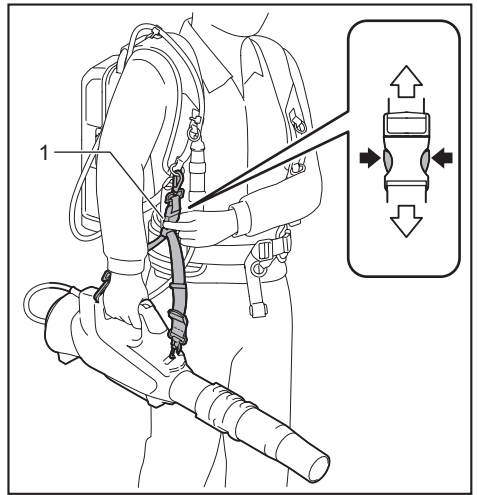
Hold the machine firmly with a hand and perform the blowing operation by moving it around slowly. When blowing around building, big stone or vehicle, direct the nozzle away from them. When performing an operation in a corner, start from the corner and then move to wide area.



When setting down the machine, unlock the buckle on the hanging band with one hand while holding the machine with the other hand.

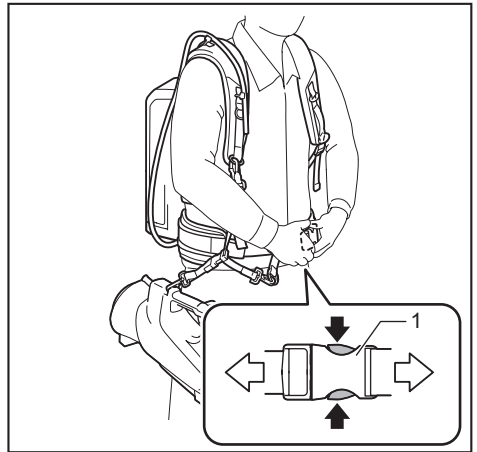


► 1. Buckle



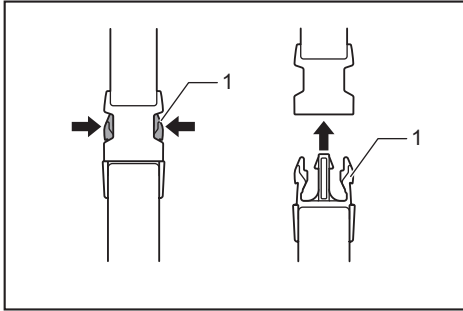
► 1. Buckle

When setting down the machine and the portable power pack at the same time, unlock the buckle on the waist belt, and then set down the machine and the portable power pack.



► 1. Buckle

NOTE: When unlocking the buckle, press the claws of the buckle on both sides. When locking the buckle, insert the claws until they are locked.

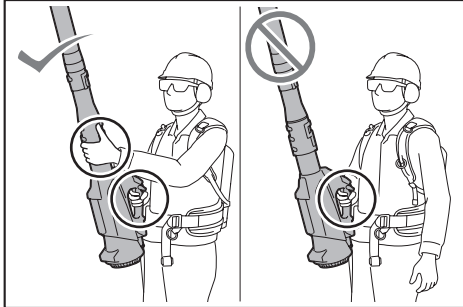


▶ 1. Claw

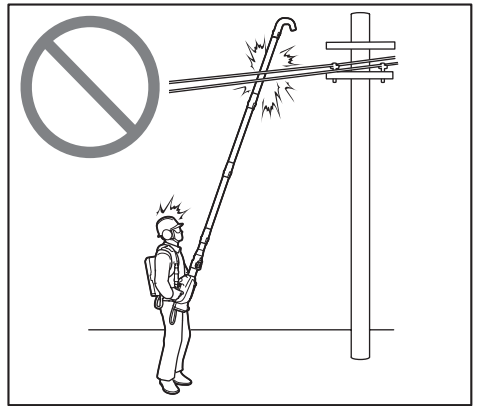
Using the gutter nozzle set

CAUTION: When using the gutter nozzle set, do not use the machine in the Boost mode. You may lose balance and it may cause an accident since the air volume becomes larger in the Boost mode.

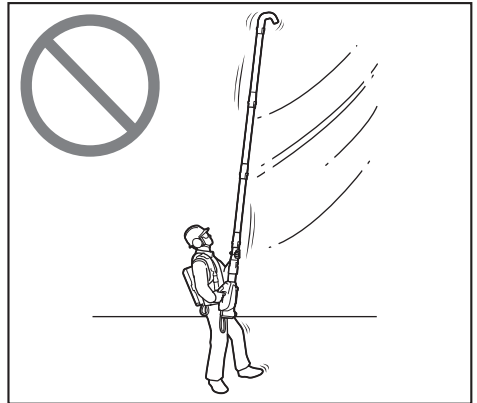
CAUTION: When using the gutter nozzle set, do not hold the blower with single hand but with both hands.



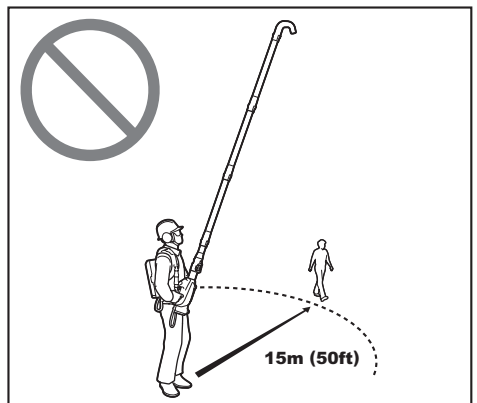
CAUTION: Do not use the gutter nozzle set near electric wires.



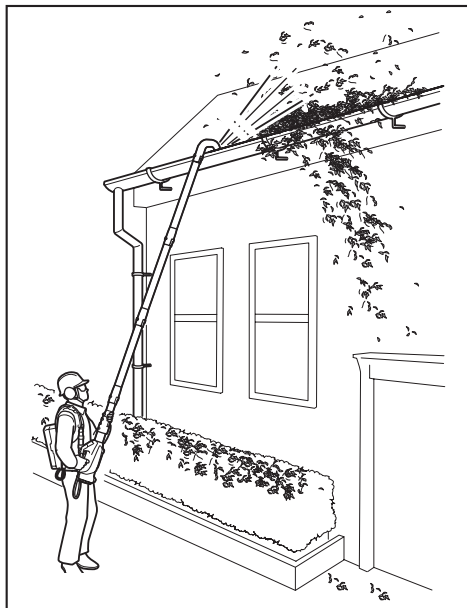
CAUTION: Do not use the gutter nozzle set on windy day.



CAUTION: When using the gutter nozzle set, keep other people or animal more than 15 m (50 ft) away from the blower.

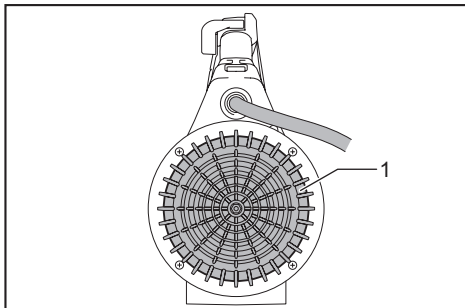


Hold the blower upright by grabbing the handle of the blower. Place the outlet of the blower on the gutter and then turn on the blower.



NOTICE: Never use gasoline, benzine, thinner, alcohol or the like. Discoloration, deformation or cracks may result.

Remove dust or dirt from the suction inlet at the rear of the machine.

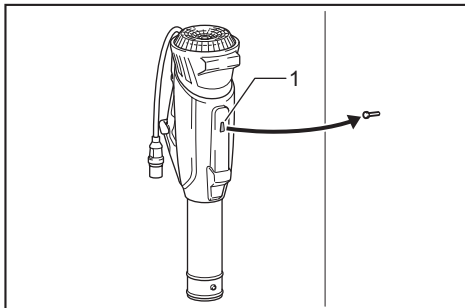


► 1. Suction inlet

Storage

Before storing the machine, disconnect the portable power pack from the machine, and perform full maintenance. Store the machine in a place out of the reach of children and not exposed to moisture, rain, or direct sunlight.

The hook hole on the bottom of the machine is convenient for hanging the machine from a nail or screw on the wall.



► 1. Hole

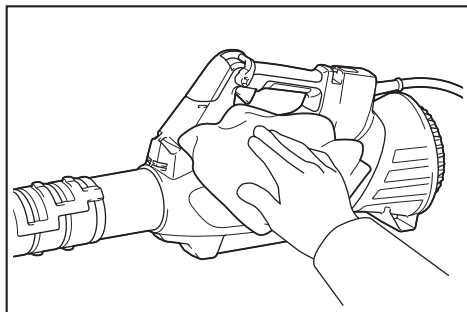
MAINTENANCE

CAUTION: Always be sure that the machine is switched off and the portable power pack is disconnected from the machine before attempting to perform inspection or maintenance.

To maintain product SAFETY and RELIABILITY, repairs, any other maintenance or adjustment should be performed by Makita Authorized or Factory Service Centers, always using Makita replacement parts.

Cleaning the machine

Clean the machine by wiping off dust with a dry cloth or one dipped in soapy water and wrung out.



TROUBLESHOOTING

Before asking for repairs, conduct your own inspection first. If you find a problem that is not explained in the manual, do not attempt to dismantle the machine. Instead, ask Makita Authorized Service Centers, always using Makita replacement parts for repairs.

State of abnormality	Probable cause (malfunction)	Remedy
Motor does not run.	Battery is not installed.	Install the battery.
	Battery problem (under voltage)	Recharge the battery. If recharging is not effective, replace battery.
	The drive system does not work correctly.	Ask your local authorized service center for repair.
Motor stops running after a little use.	Battery's charge level is low.	Recharge the battery. If recharging is not effective, replace battery.
	Overheating.	Stop using the machine to allow it to cool down.
The machine does not reach the maximum speed.	Battery is installed improperly.	Install the battery as described in this manual.
	Battery power is dropping.	Recharge the battery. If recharging is not effective, replace battery.
	The drive system does not work correctly.	Ask your local authorized service center for repair.
Abnormal vibration: ⇒ stop the machine immediately!	The drive system does not work correctly.	Ask your local authorized service center for repair.
Motor cannot stop: ⇒ Remove the battery immediately!	Electric or electronic malfunction.	Remove the battery and ask your local authorized service center for repair.

OPTIONAL ACCESSORIES

⚠ CAUTION: These accessories or attachments are recommended for use with your Makita product specified in this manual. The use of any other accessories or attachments might present a risk of injury to persons. Only use accessory or attachment for its stated purpose.

If you need any assistance for more details regarding these accessories, ask your local Makita Service Center.

- Adapter pipe
- Extension nozzle
- Flat nozzle
- Gutter nozzle set
- Band assembly
- Makita genuine battery and charger

NOTE: Some items in the list may be included in the product package as standard accessories. They may differ from country to country.

Makita Europe N.V. Jan-Baptist Vinkstraat 2,
3070 Kortenberg, Belgium

Makita Corporation 3-11-8, Sumiyoshi-cho,
Anjo, Aichi 446-8502 Japan

www.makita.com

885801-221 EN 20200728
