



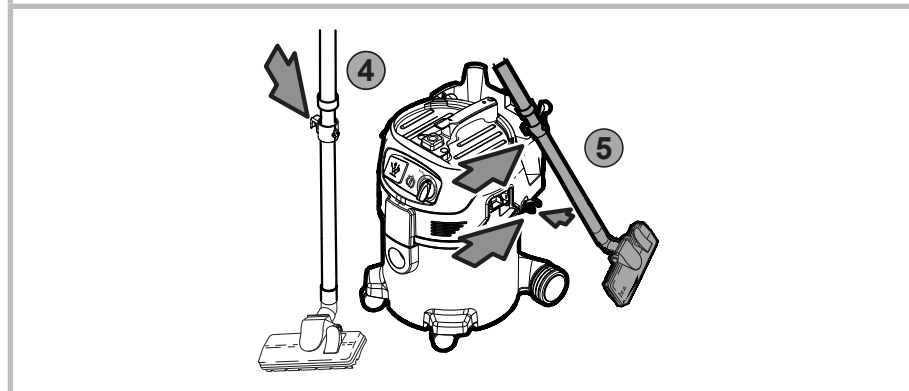
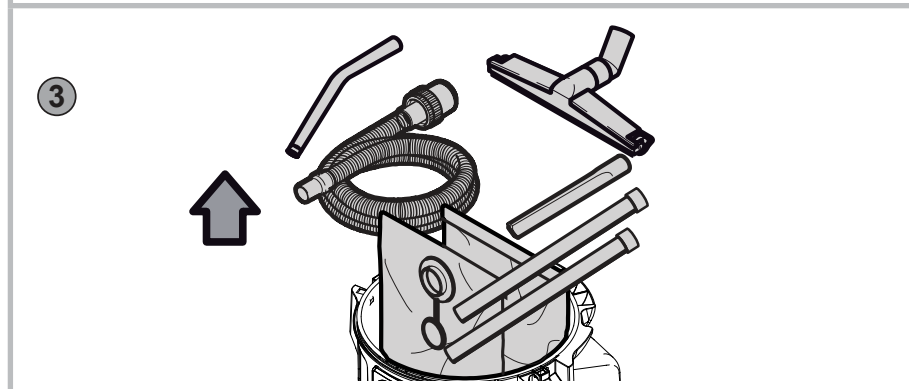
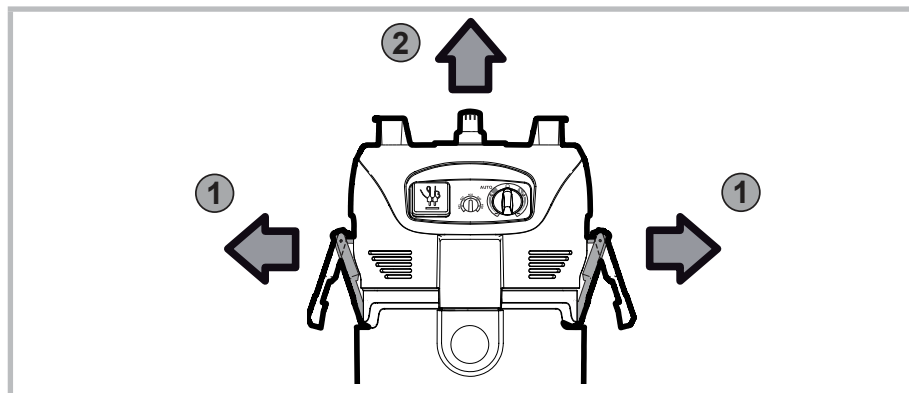
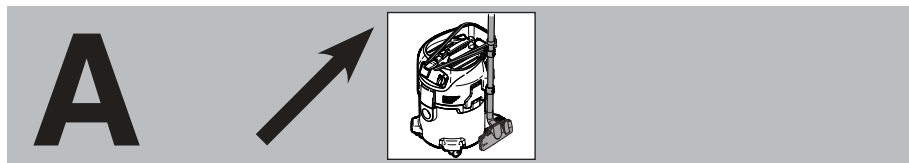
**Makita**<sup>®</sup>

**VC3012M**

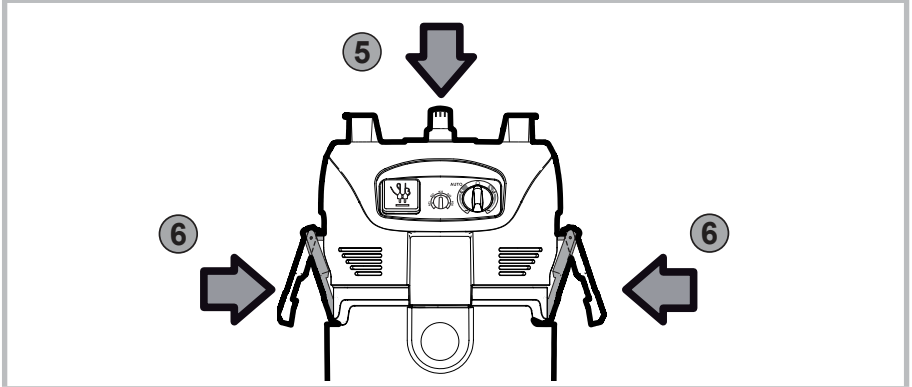
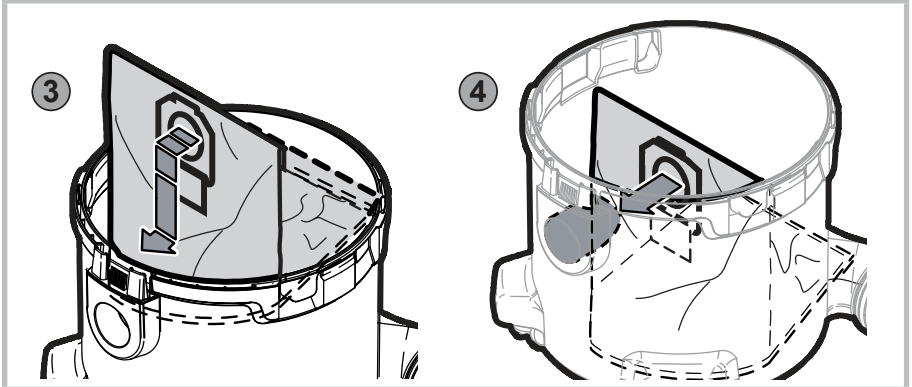
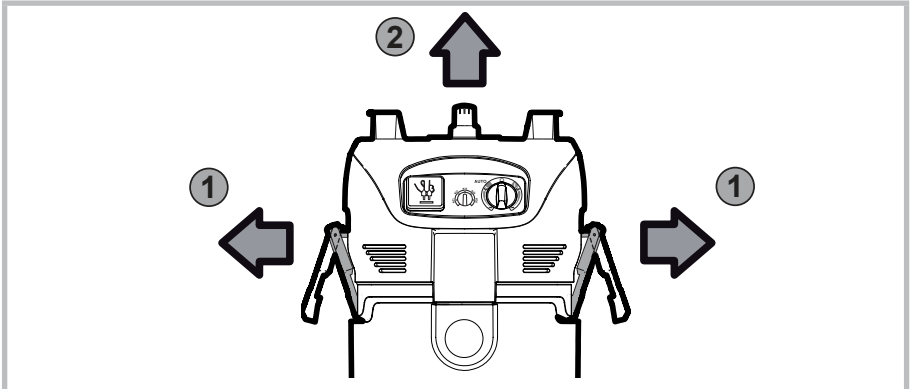
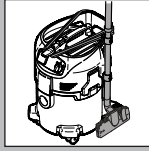


Originalbetriebsanleitung  
Original Operating Instructions  
Notice d'utilisation d'origine  
Oorspronkelijke Gebruiksaanwijzing  
Istruzioni originali  
Original driftsinstruks  
Bruksanvisning i original  
Original brugsanvisning  
Alkuperäiset ohjeet  
Manual original  
Instruções de operação original  
Πρωτότυπο οδηγιών χρήσης  
Original talimatlar  
Izvirna navodila  
Izvorni upute

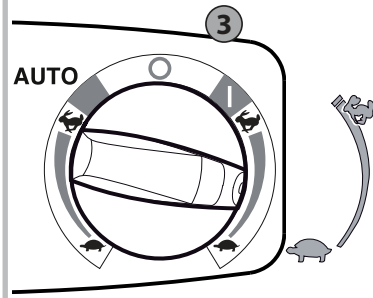
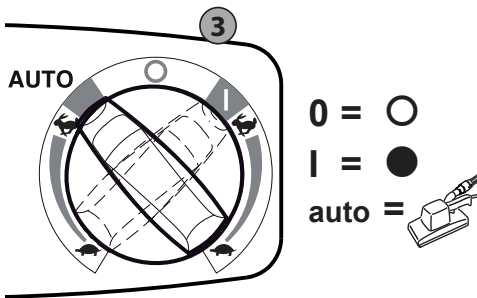
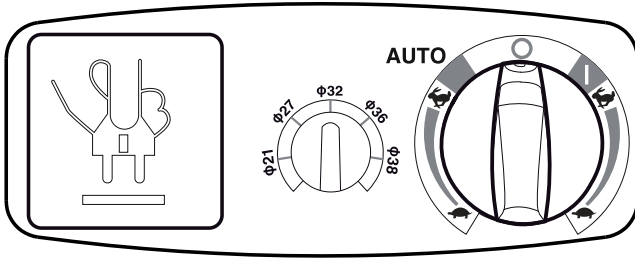
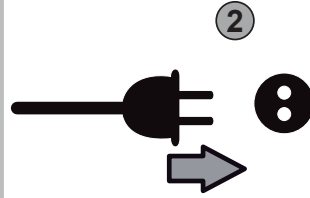
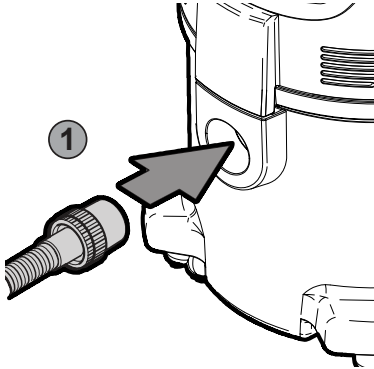
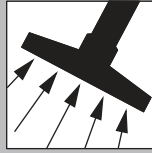
Pôvodný návod na použitie  
Původní návod k používání  
Instrukcja oryginalna  
Eredeti használati utasítás  
Original instrucțiuni  
Оригинална инструкция  
Оригинальные инструкции  
Algupärane kasutusjuhend  
Instrukcijas oriģinālvalodā  
Originali instrukcija  
Udhëzimet origjinale  
Оригинално упатство за употреба  
Првобитна упутства  
Оригинальні інструкції

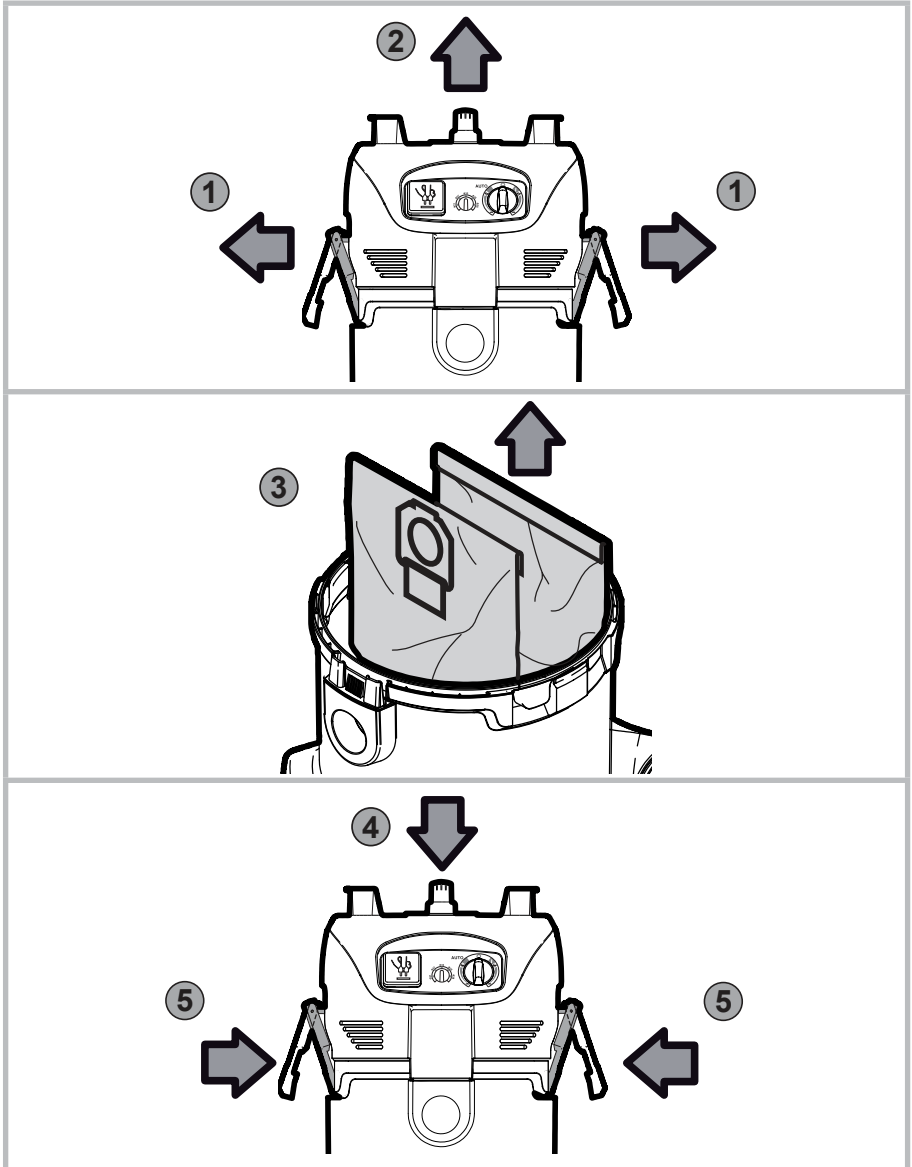


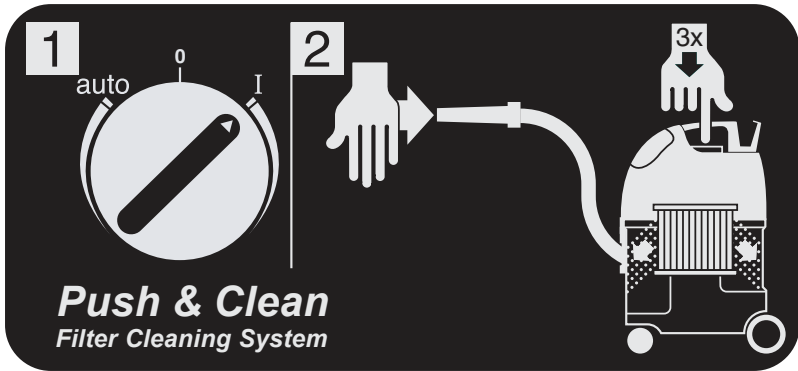
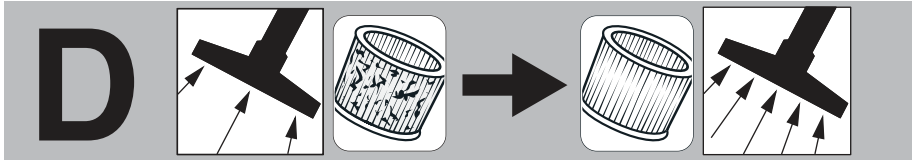
# A



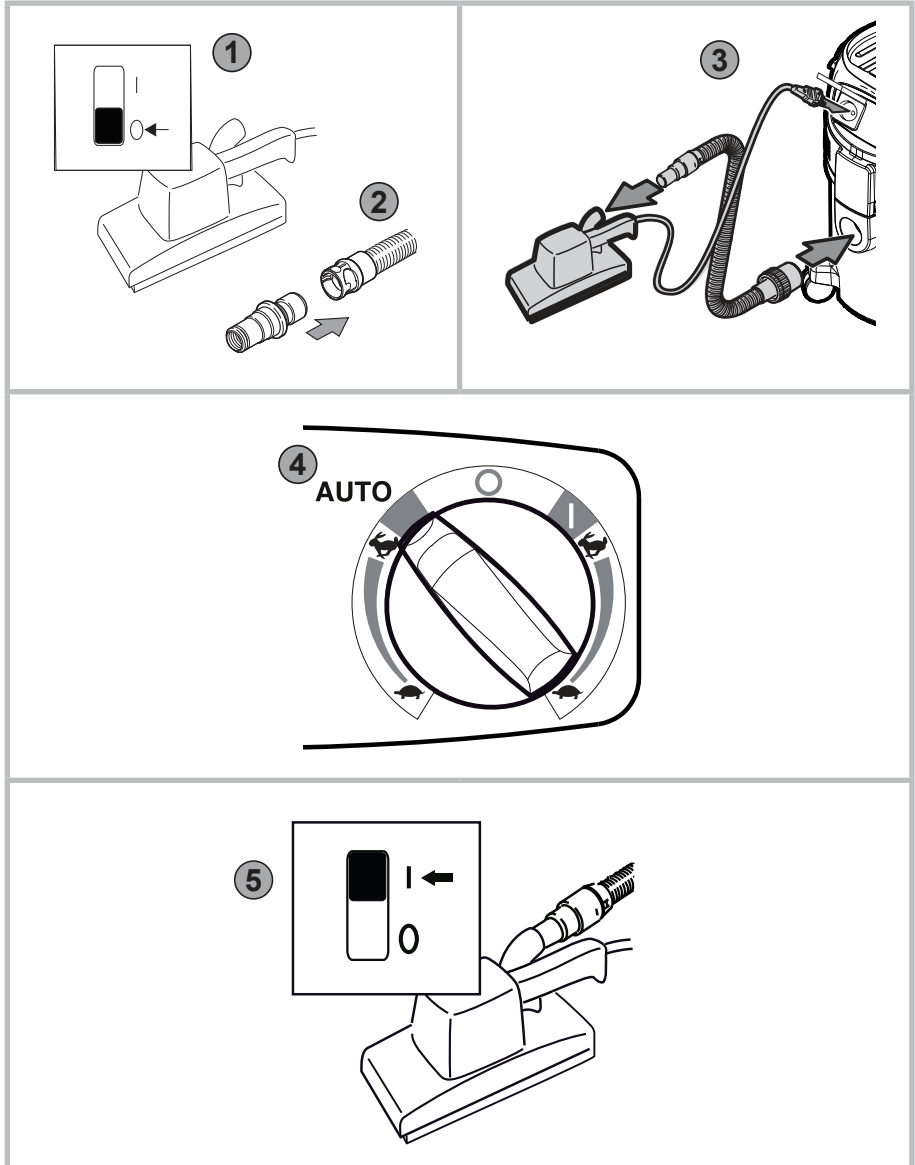
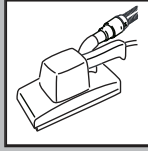
# B



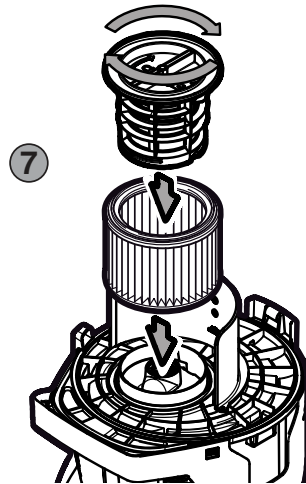
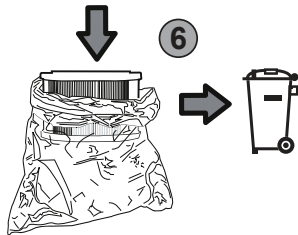
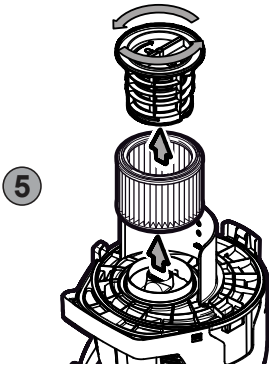
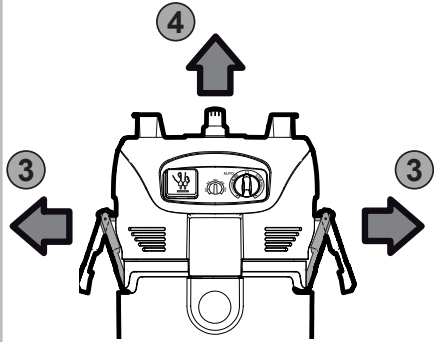
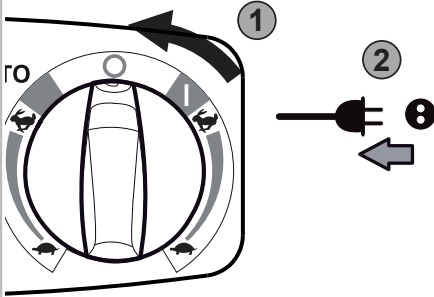
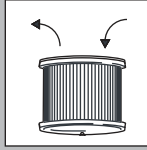
**C**



# E

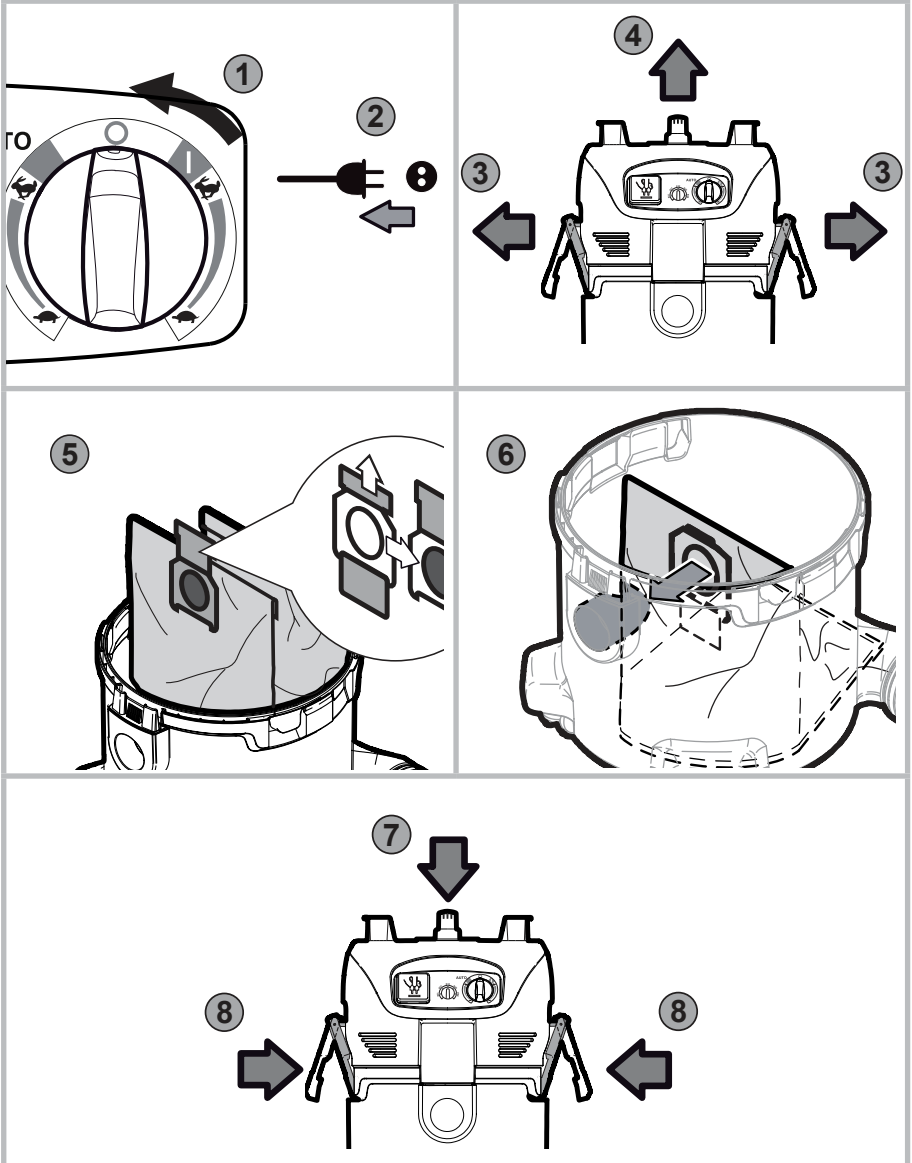
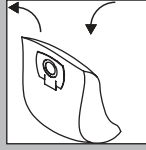


# F





# G

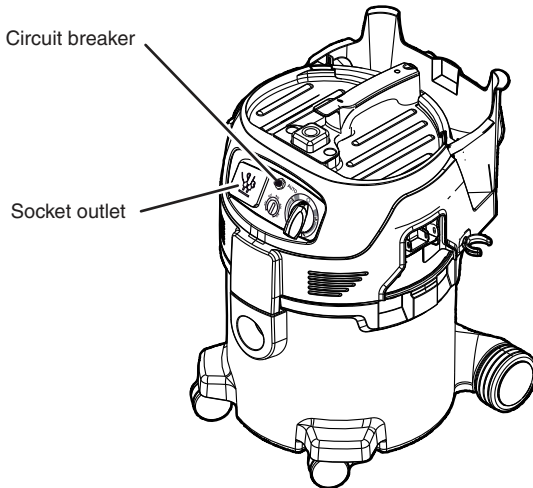


H



### Function of the resettable circuit breaker

Applicable for models for the Australian market with a resettable circuit breaker



Only connect suitable power tools to the socket outlet on the vacuum cleaner. The power consumption of the power tool must not exceed 1,200 watts.

The socket outlet has a resettable circuit breaker. If the power consumption is too high, the circuit breaker interrupts the circuit. If the circuit breaker has tripped, it needs about 1 minute to cool down before it can be reset.

**⚠ WARNING!** Risk of injury from an automatically starting power tool. Before resetting the circuit breaker: Make sure that the connected power tool is switched off or disconnected from the socket outlet.

If the overload problem persists after resetting the circuit breaker several times: Seek professional help or contact Makita for technical advice.

## Important safety instructions



Before using the appliance, always read the operating instructions and keep them readily available.

### Purpose and intended use

Besides the operating instructions and the binding accident prevention regulations valid in the country of use, observe recognised regulations for safety and proper use.

**WARNING** – The appliance must

- only be used by persons, who have been instructed in its correct usage and explicitly commissioned with the task of operating it
- only be operated under supervision

This appliance is not intended for use by persons (including children) with reduced physical, sensory or mental capabilities, or lack of experience and knowledge.

Children should be supervised to ensure that they do not play with the appliance.

The vacuum cleaners described in this operating manual are suitable for

- sucking up dust and liquids
- dust suction for handheld power tools
- commercial use, e.g. in hotels, schools, hospitals, factories, shops, offices and rental businesses
- separation of dust with an exposure limit (OEL) of greater than 0.1 mg/m<sup>3</sup> (dust class M). Please observe regulations valid in your country.



**WARNING** – The following materials should not be picked up by the vacuum cleaner:

- hot materials (burning cigarettes, hot ash, etc.)
- flammable, explosive, aggressive liquids (e.g. petrol, solvents, acids, alkalis, etc.)
- flammable, explosive dust (e.g. magnesium dust, etc.)

**CAUTION** – The appliance must

- only be used indoors and not outdoors
- be protected against UV radiation

### **A** Before start-up

Before starting work, the operating staff must be informed on

- use of the vacuum cleaner
- risks associated with the material to be picked up
- safe disposal of the picked up material

When dust removers are used, the rate at which air is exchanged in the room must be adequate if the exhaust air from the vacuum cleaner is blown into the room (please observe regulations valid in your country).

Only use the appliance if it is in undamaged condition. Never use the vacuum cleaner without a filter, or if the filter is damaged.

Ensure that the voltage shown on the rating plate corresponds to the voltage of the local mains power supply. It is recommended that the vacuum cleaner should be connected via a residual current circuit breaker.

Inspect power cord regularly to detect signs of damage, e.g. cracks or ageing. If the power cord is damaged, it must be replaced by Makita-Service or an electrician to avoid danger before use of the vacuum cleaner is continued. Use only the type of power cord specified in the operating manual.




As an extension lead, only use the version specified by the manufacturer or one of a higher quality.

When using an extension lead, check the minimum cross-sections of the cable:

Cable length	Cross section	
	< 16 A	< 25 A
up to 20 m	1,5 mm <sup>2</sup>	2,5 mm <sup>2</sup>
20 to 50 m	2,5 mm <sup>2</sup>	4,0 mm <sup>2</sup>


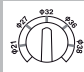
### B Operation

Depending on how hazardous the dust is, the cleaner must be fitted with appropriate filters.

Type of dust	Filter bag/waste bag/filter element
<ul style="list-style-type: none"> <li>Dusts with OEL values &gt; 0.1 mg/m<sup>3</sup> (observe any additional national regulations)</li> <li>Wood dusts &amp; concrete dusts</li> </ul>	 Waste bag Order No. P-70297
<ul style="list-style-type: none"> <li>Dusts with OEL values &gt; 0.1 mg/m<sup>3</sup> (observe any additional national regulations)</li> <li>Wood dusts &amp; concrete dusts</li> </ul>	 Filter bag Order No. 107418007
<ul style="list-style-type: none"> <li>Dusts with OEL values &gt; 0.1 mg/m<sup>3</sup> (observe any additional national regulations)</li> <li>Wood dusts &amp; concrete dusts</li> </ul>	 Filter element "M" Order No. P-70219

Before picking up dust with occupational exposure limit values:

- Check that all the filters are present and properly fitted.
- The hose diameter and the setting for the suction hose diameter must be the same.

	
ø21	ø21
ø27	ø27
ø32	ø32
ø36	ø36
ø38	ø38

- When the motor is running, hold the suction hose shut. For safety reasons, an acoustic warning sounds if the air speed in the suction hose drops to below 20 m/s.

Switch position	Function
I	On
0	Off
AUTO	Auto-On/Off

### C Picking up liquids

Before liquids are picked up, always remove the filter bag.

CAUTION – Check that the float works properly.

WARNING – If foam develops or liquid emerges, stop work immediately and empty the dirt tank.

### D Cleaning the filter element

If suction performance drops:

- Switching on the vacuum cleaner.
- Close the nozzles or suction hose opening with the palm of your hand.

3. Press the button to start filter cleaning for at least three times for two seconds each. The resulting stream of air removes attached dust from the slats of the filter elements.
4. If the suction power is too low after filter cleaning: replace filter.

### **E** Connecting electrical appliances

**CAUTION!** Follow the operating instructions and safety instructions for appliances connected to the power tool socket.

Use the socket on the vacuum cleaner for the purpose defined in the operating instructions only.

Before plugging an appliance into the appliance socket:

1. Switch off the vacuum cleaner.
2. Switch off the appliance to be connected.

### **F** + **G** Maintenance, cleaning and repair

Only carry out maintenance work described in the operating instructions. Always pull out the mains plug before cleaning and maintenance of the vacuum cleaner. Never spray water on to the upper section of the vacuum cleaner: Danger for persons, risk of short-circuiting.

The use of non-genuine spare parts and accessories can impair the safety of the appliance. Only use spare parts and accessories from Makita.

During maintenance and cleaning, handle the vacuum cleaner in such a manner that there is no danger for maintenance staff or other persons.

In the maintenance area

- use filtered compulsory ventilation
- wear protective clothing
- clean the maintenance area so that no harmful substances get into the surroundings

Before removing the vacuum cleaner from the area contaminated with harmful substances:

- Clean the outside of the vacuum cleaner, wipe it clean or pack the vacuum cleaner in well sealed packaging
- and avoid spreading deposited harmful dust.

During maintenance and repair work all contaminated parts that could not be cleaned satisfactorily must be

- packed in well sealed bags
- disposed of in a manner that complies with valid regulations for such waste removal

A dust test must be performed at least once every year by Makita service or a trained person. This test includes, for example, whether there is damage to the filter, the vacuum cleaner is sealed to the air and the control equipment works properly.

### **Disposal of filter elements, filter bags and disposal bags**

Discard filter elements, filter bags and disposal bags in accordance with the national regulations.


### **Transport**

Before transporting the dirt tank, close all the locks. Do not tilt the cleaner if there is liquid in the dirt tank. Do not use a crane hook to lift the cleaner.

### **Storage**

Store the appliance in a dry place, protected from rain and frost. The machine shall be stored indoors only. Wet filters and the interior part of the liquid container shall be dried before storage.

**Recycling the vacuum cleaner**

 As specified in European Directive 2012/19/EC on old electrical and electronic appliances, used electrical goods must be collected separately and recycled ecologically. Contact your local authorities or your nearest dealer for further information.

**Guarantee**

Our general conditions of business are applicable with regard to the guarantee. Subject to change as a result of technical alterations.

**Spare parts and accessories**

Description	Order no.
Filter element	P-70219
Fleece filter bag	107418007
Disposal bag	P-70297

Exploded drawings and parts lists are available on our homepage: [www.makita.com](http://www.makita.com)

**Troubleshooting**

Fault	Cause	Remedy
‡ Motor does not start	<ul style="list-style-type: none"> <li>&gt; Fuse in mains plug has blown.</li> <li>&gt; Overload protection switch has tripped.</li> </ul>	<ul style="list-style-type: none"> <li>• Reset the fuse.</li> <li>• Switch off the vacuum cleaner and allow it to cool for approx. 5 minutes. If it can not be started again, contact the Makita service department.</li> </ul>
‡ Motor does not run in automatic mode	<ul style="list-style-type: none"> <li>&gt; Power tool is defective or not connected properly.</li> </ul>	<ul style="list-style-type: none"> <li>• Check that the power tool works or that the plug is inserted correctly.</li> </ul>
‡ Reduced suction power	<ul style="list-style-type: none"> <li>&gt; Suction power selected with suction power control is too low.</li> <li>&gt; Hose diameter does not correspond with switch position.</li> <li>&gt; Clogged suction hose/nozzle.</li> <li>&gt; Seal/tank rim between the upper section of the cleaner and the dirt tank is dirty/defective.</li> <li>&gt; Filter bag is full.</li> <li>&gt; Filter element is clogged.</li> </ul>	<ul style="list-style-type: none"> <li>• Set suction power in accordance with section "Suction power control".</li> <li>• Set correct switch position for hose diameter.</li> <li>• Clean suction hose/nozzle.</li> <li>• Clean/replace seal.</li> <li>• See section "Replacing the filter bag".</li> <li>• See section "Cleaning the filter element" and "Replacing the filter element".</li> </ul>
‡ No suction power during wet cleaning	<ul style="list-style-type: none"> <li>&gt; Tank is full (floaters closes the suction opening).</li> </ul>	<ul style="list-style-type: none"> <li>• Switch off the cleaner. Empty the tank.</li> </ul>
‡ Voltage fluctuations	<ul style="list-style-type: none"> <li>&gt; Impedance of power supply is too high.</li> </ul>	<ul style="list-style-type: none"> <li>• Use a suitable extension cord (see section "Technical data").</li> <li>• Connect the cleaner to another socket closer to the fuse box. Voltage fluctuations over 7 % should not occur if the impedance at the transfer point is <math>\leq 0.15 \Omega</math>.</li> </ul>

For European countries only:

### EC Declaration of Conformity

We hereby declare that the machine described below complies with the relevant basic safety and health requirements of the EU Directives, both in its basic design and construction as well as in the version put into circulation by us. This declaration shall cease to be valid if the machine is modified without our prior approval.

Product: Wet and dry vacuum cleaner  
Type: VC3012M

Relevant EU Directives:  
2006/42/EC, 2014/30/EU, 2011/65/EU

Applied harmonized standards:  
EN 60335-1:2012+A11:2014+A13:2017  
EN 60335-2-69:2012  
EN 55014-1:2017  
EN 55014-2:2015  
EN IEC 61000-3-2:2019  
EN 61000-3-3:2013+A1:2019  
EN IEC 63000:2018

Authorised Documentation Representative:  
Makita Europe N.V., Jan-Baptist Vinkstraat 2,  
3070 Kortenberg, Belgium



01.07.2020  
Hiroshi Tsujimura  
Director - Makita Europe N.V.  
Makita Europe N.V., Jan-Baptist Vinkstraat 2,  
3070 Kortenberg, Belgium

For UK only:

### Declaration of Conformity

We hereby declare that the machine described below complies with the relevant basic safety and health requirements of the UK Regulations, both in its basic design and construction as well as in the version put into circulation by us. This declaration shall cease to be valid if the machine is modified without our prior approval.

Product: Wet and dry vacuum cleaner  
Type: VC3012M

Relevant UK Regulations:  
S.I. 2008/1597 (as amended), S.I. 2016/1091 (as amended), S.I. 2012/3032 (as amended)

Applied Designated standards:  
EN 60335-1:2012+A11:2014+A13:2017  
EN 60335-2-69:2012  
EN 55014-1:2017  
EN 55014-2:2015  
EN IEC 61000-3-2:2019  
EN 61000-3-3:2013+A1:2019  
EN IEC 63000:2018

Authorised Documentation Representative:  
Makita Europe N.V., Jan-Baptist Vinkstraat 2,  
3070 Kortenberg, Belgium



01.07.2020  
Hiroshi Tsujimura  
Director - Makita Europe N.V.  
Makita Europe N.V., Jan-Baptist Vinkstraat 2,  
3070 Kortenberg, Belgium

Importer: Makita (UK) Limited, Michigan Drive,  
Tongwell, Milton Keynes, Buckinghamshire,  
MK15 8JD, UK

## Technical data

Makita VC3012M						
		EU/FR/RU	AU	CH	GB 230 V	GB 110 V
Mains Voltage	V	220-240	230-240	220-240		110
Mains frequency	Hz	50/60				50
Power consumption	W	1200				1200
Connected load for appliance socket	W	2400	1200	1100	1750	
Total connected load	W	3600	2400	2300	2950	
Fuse	A	16	10		13	16
Volume flow (air)	l/min (m <sup>3</sup> /h)	3700 (222)				3500 (210)
Vacuum	mbar (hPa)	250 (250)				230 (230)
Sound pressure level at a distance of 1 m, ISO 3744	dB(A)	62 ±2				
Sound level	dB(A)	59 ±2				
Hand-arm vibration	m/s <sup>2</sup>	<2,5				
Power cord length	m	7,5				
Power cord type		H07RN-F 3G1.5 mm <sup>2</sup>	H05RN-F 3G1.0 mm <sup>2</sup>		H07RN-F 3G1.5 mm <sup>2</sup>	H07BQ-F 3G1.5 mm <sup>2</sup>
Protection class		I				
Type of protection		IPX4				
Radio interference suppression level		EN 55014-1				
Dust class		M				
Tank volume	max.	l (UKgal / USgal)		30 (6,6 / 8,9)		
	dust	l (UKgal / USgal)		24 (5,3 / 6,3)		
	water	l (UKgal / USgal)		19 (4,2 / 5,0)		
Width	mm (in)	380 (15.2)				
Depth	mm (in)	485 (19.1)				
Height	mm (in)	595 (19.7)				
Weight (net, most common application)	kg (lb)	10 (22)				12 (26.4)